



US00D469072S

(12) **United States Design Patent**
Dickinson

(10) **Patent No.:** **US D469,072 S**

(45) **Date of Patent:** **** Jan. 21, 2003**

(54) **MULTIMEDIA COMMUNICATIONS DEVICE**

(75) **Inventor:** **Richard John Dickinson, Cambridge (GB)**

(73) **Assignee:** **AT & T Laboratories-Cambridge Ltd., Cambridge (GB)**

(**) **Term:** **14 Years**

(21) **Appl. No.:** **29/135,232**

(22) **Filed:** **Jan. 8, 2001**

(30) **Foreign Application Priority Data**

Jul. 6, 2000 (GB) 2094096

(51) **LOC (7) Cl.** **14-03**

(52) **U.S. Cl.** **D14/149; D14/130; D14/151**

(58) **Field of Search** D14/329, 330, D14/447, 148, 147, 149-151, 140-142, 240, 241, 129, 130, 144, 317; 379/420.01, 420.02, 420.03, 419, 420.04, 428.02, 428.01, 428.04, 428.03, 454, 440, 90.01, 93.17, 93.19, 433-436, 900, 441; 348/14.01-14.16

(56) **References Cited**

U.S. PATENT DOCUMENTS

4,653,086 A	*	3/1987	Laube	379/93.19
D303,965 S	*	10/1989	Helstab	D14/142
D307,008 S	*	4/1990	Shaanan et al.	D14/151
D317,757 S	*	6/1991	Yokoi et al.	D14/329
D323,657 S	*	2/1992	Danielson et al.	D14/151
5,113,435 A	*	5/1992	Chen	379/441
5,127,050 A	*	6/1992	Takahashi et al.	379/428.04
D350,743 S	*	9/1994	Hicks, III et al.	D14/130
D365,821 S	*	1/1996	Bales et al.	D14/149
D397,112 S	*	8/1998	Locklin et al.	D14/151

D402,977 S	*	12/1998	Lytel	D14/130
D410,229 S	*	5/1999	Chiocchi	D14/331
D411,534 S	*	6/1999	Lepack et al.	D14/130
D411,987 S	*	7/1999	Muzusugi et al.	D14/329
D418,489 S	*	1/2000	Renard	D14/329
D427,985 S	*	7/2000	Takayama et al.	D14/151
6,121,958 A	*	9/2000	Clark et al.	345/168
D434,399 S	*	11/2000	Lanet	D14/130
D435,530 S	*	12/2000	Christensen et al.	D14/146
6,201,951 B1	*	3/2001	Duwaer et al.	455/74.1
D448,356 S	*	9/2001	Hayon et al.	D14/151

* cited by examiner

Primary Examiner—Jeffrey Asch

(74) *Attorney, Agent, or Firm*—Renner, Otto, Boisselle & Sklar, LLP

(57) **CLAIM**

The ornamental design for a multimedia communications device, as shown.

DESCRIPTION

FIG. 1 is a front perspective view of a multimedia communications device showing the new design.

FIG. 2 is a rear perspective view of the multimedia communications device.

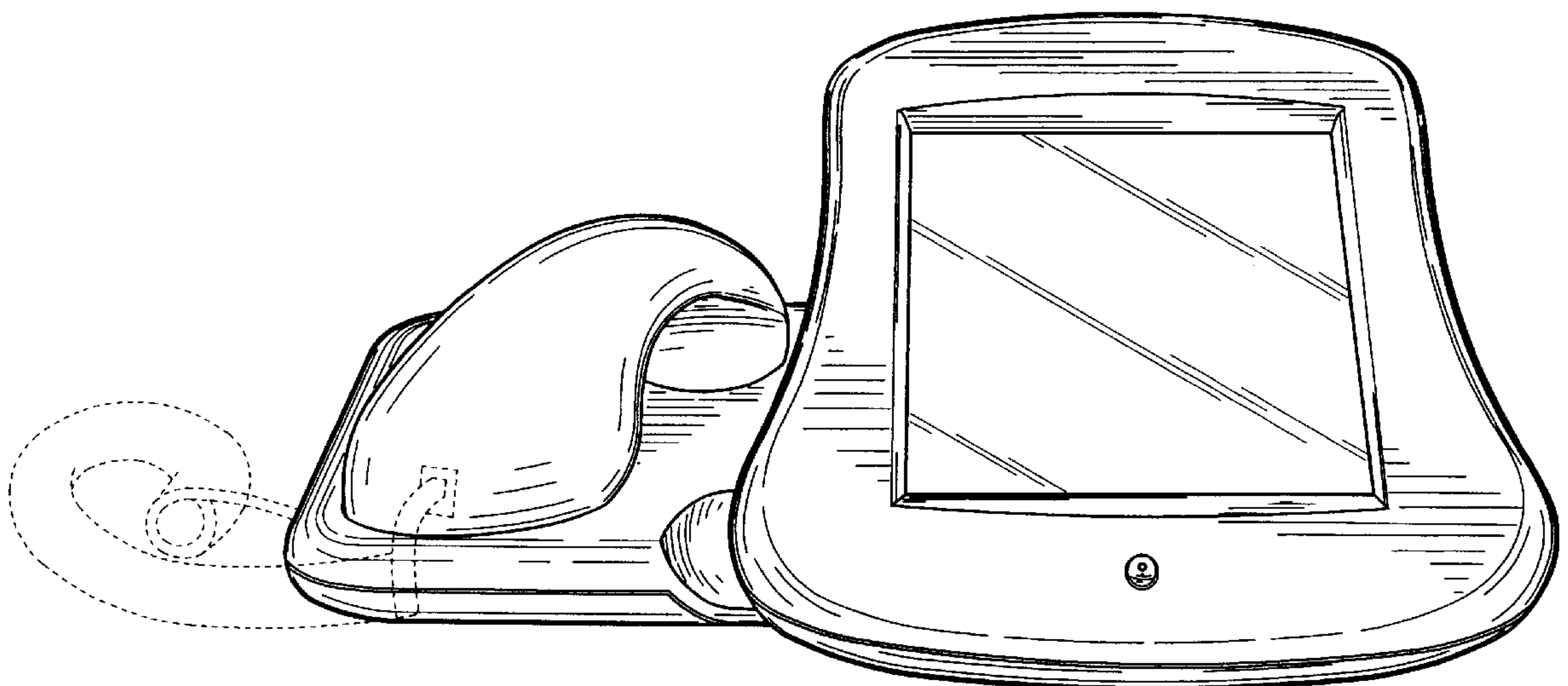
FIG. 3 is a left side perspective view of the multimedia communications device.

FIG. 4 is a right side perspective view of the multimedia communications device.

FIG. 5 is a top side perspective view of the multimedia communications device; and,

FIG. 6 is a top side perspective view of the multimedia communications device with a handset in an alternative position showing the bottom side of the handset.

1 Claim, 6 Drawing Sheets



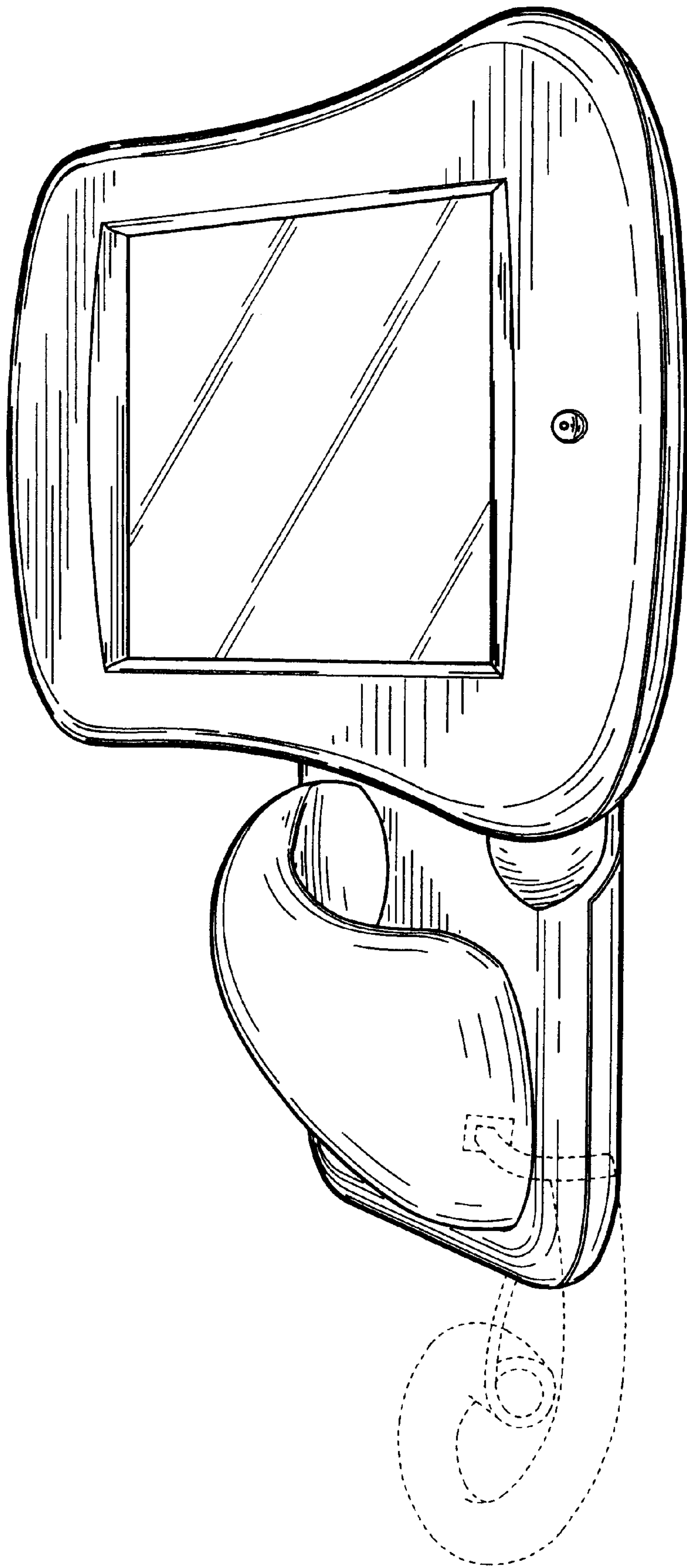


Fig.1

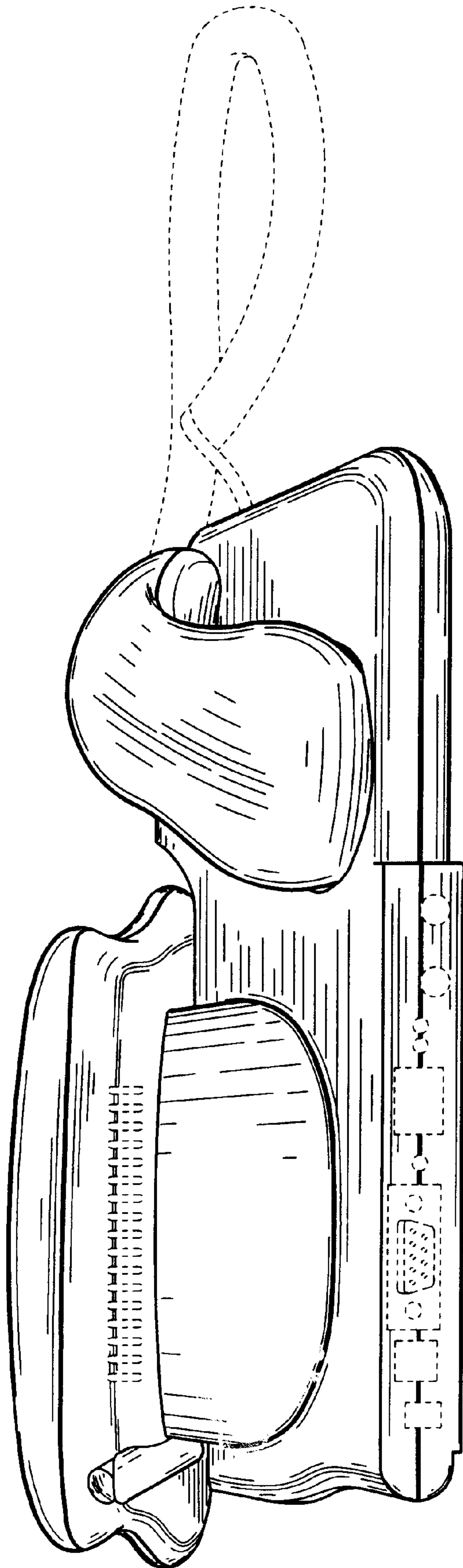


Fig.2

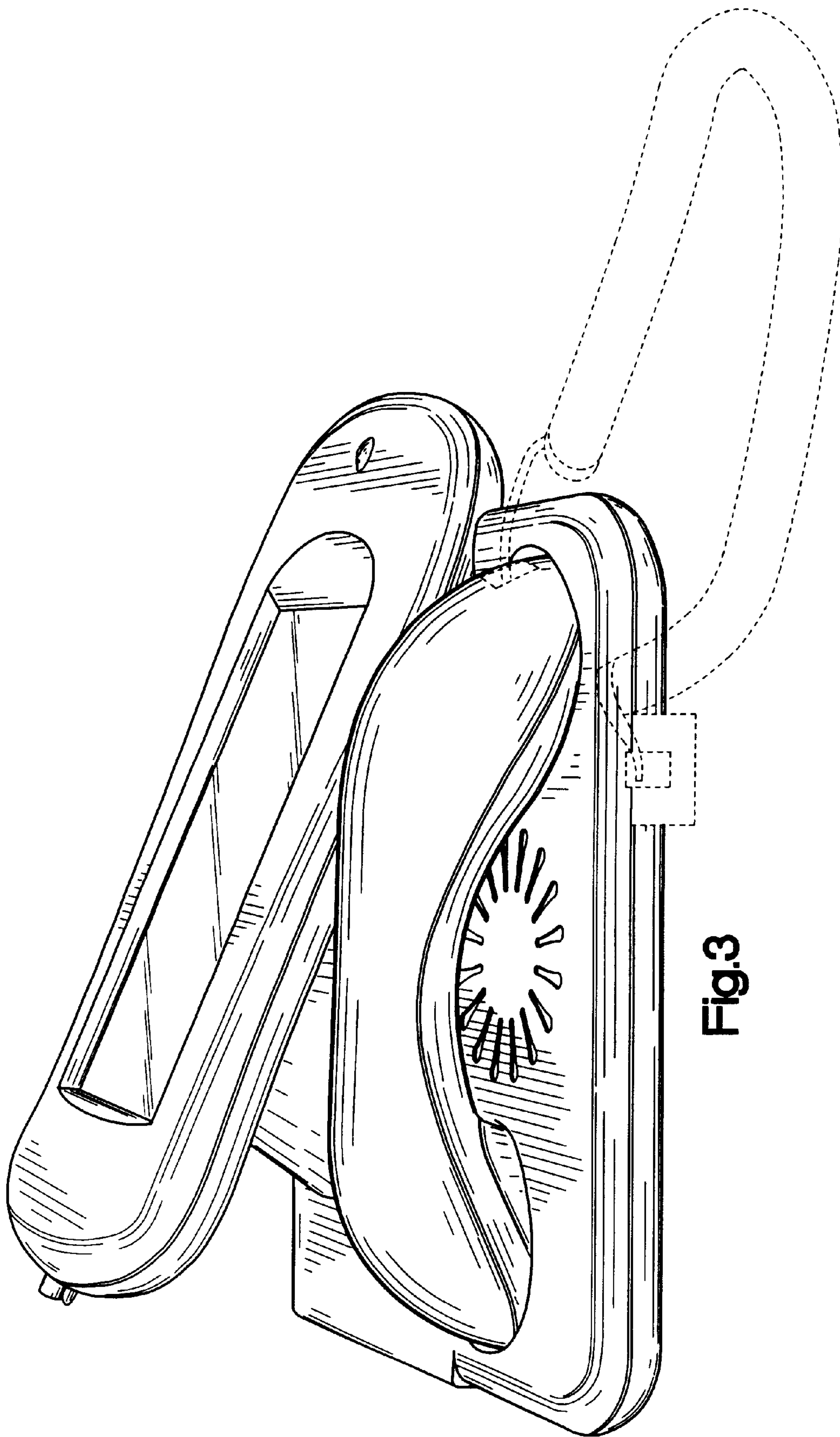


Fig.3

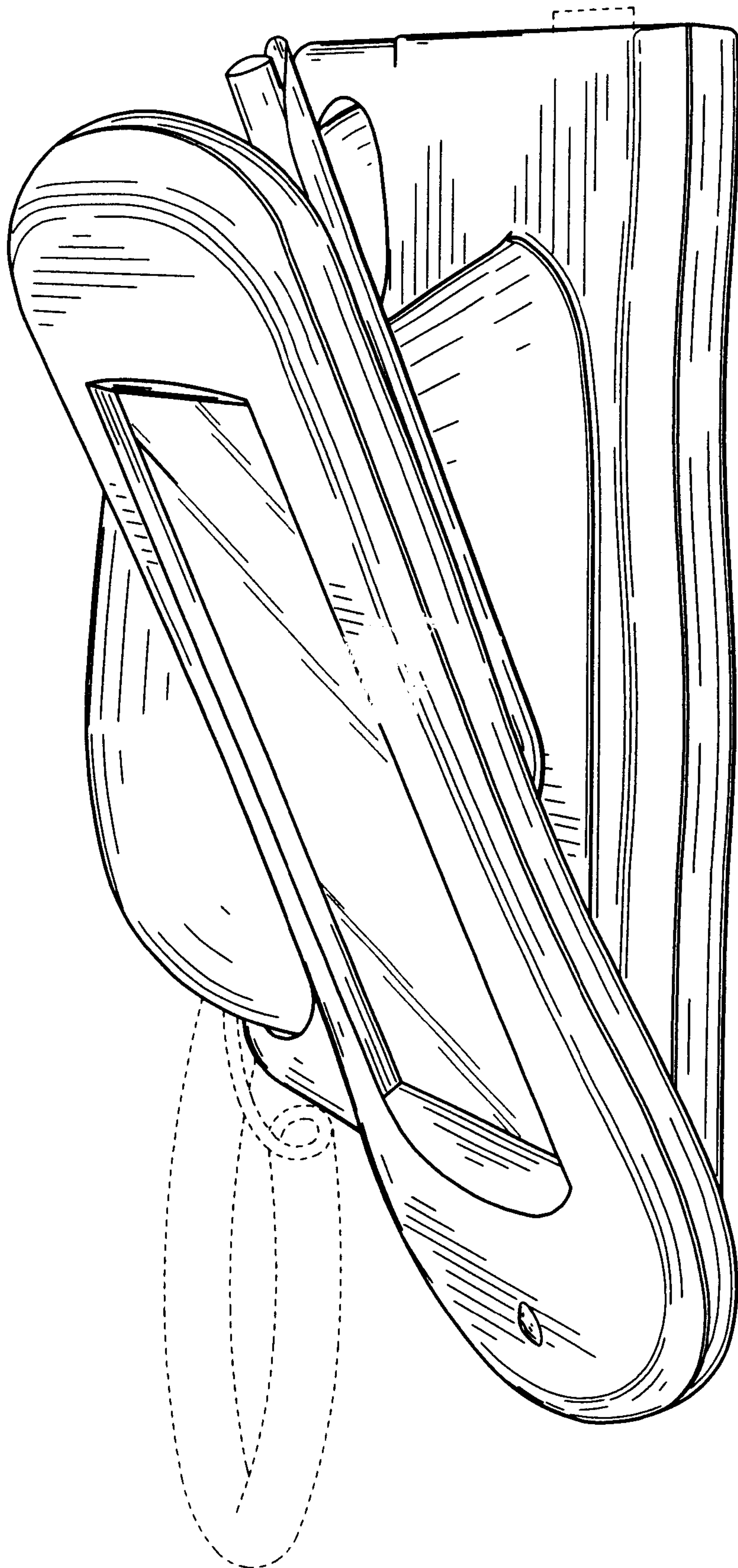


Fig.4

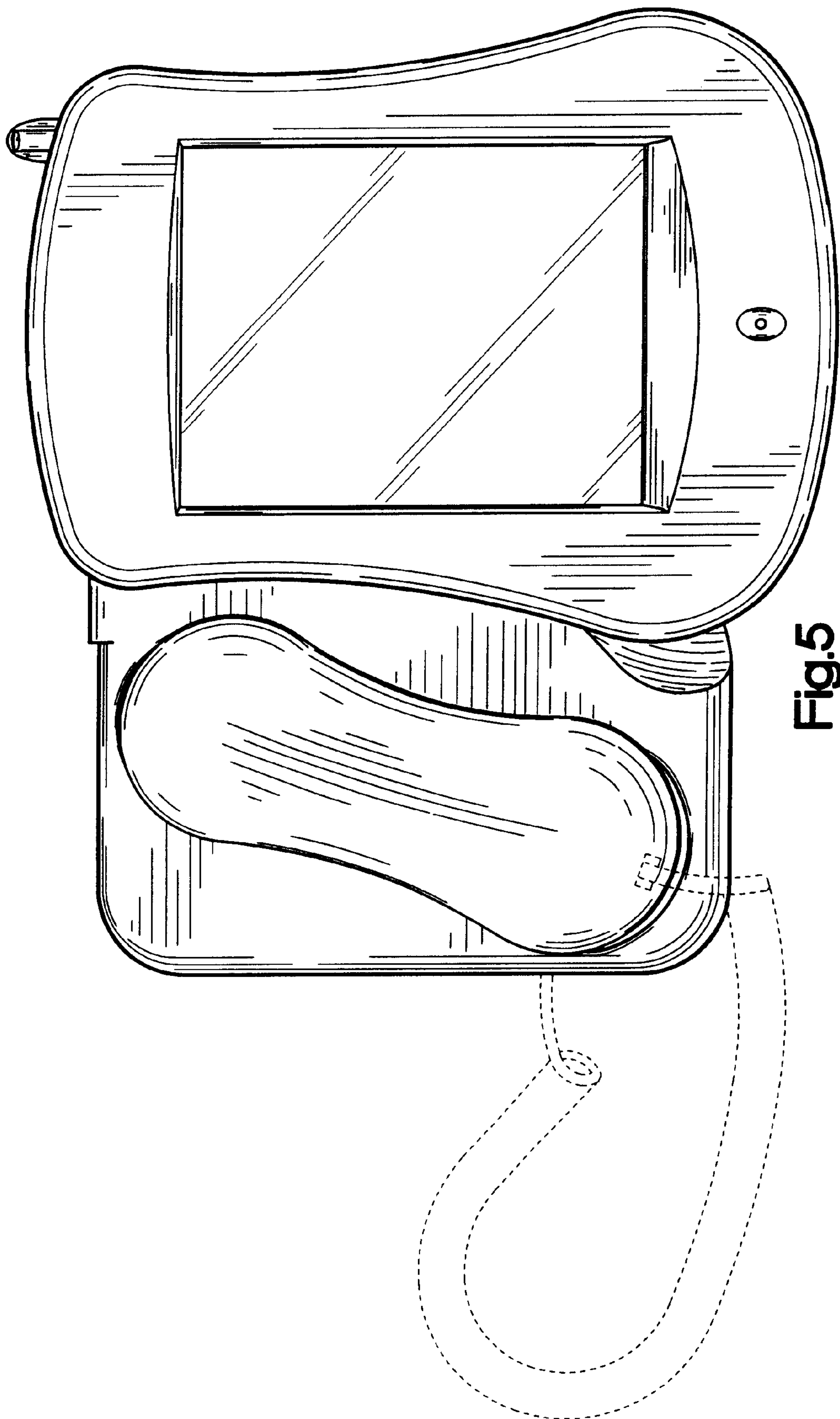


Fig. 5

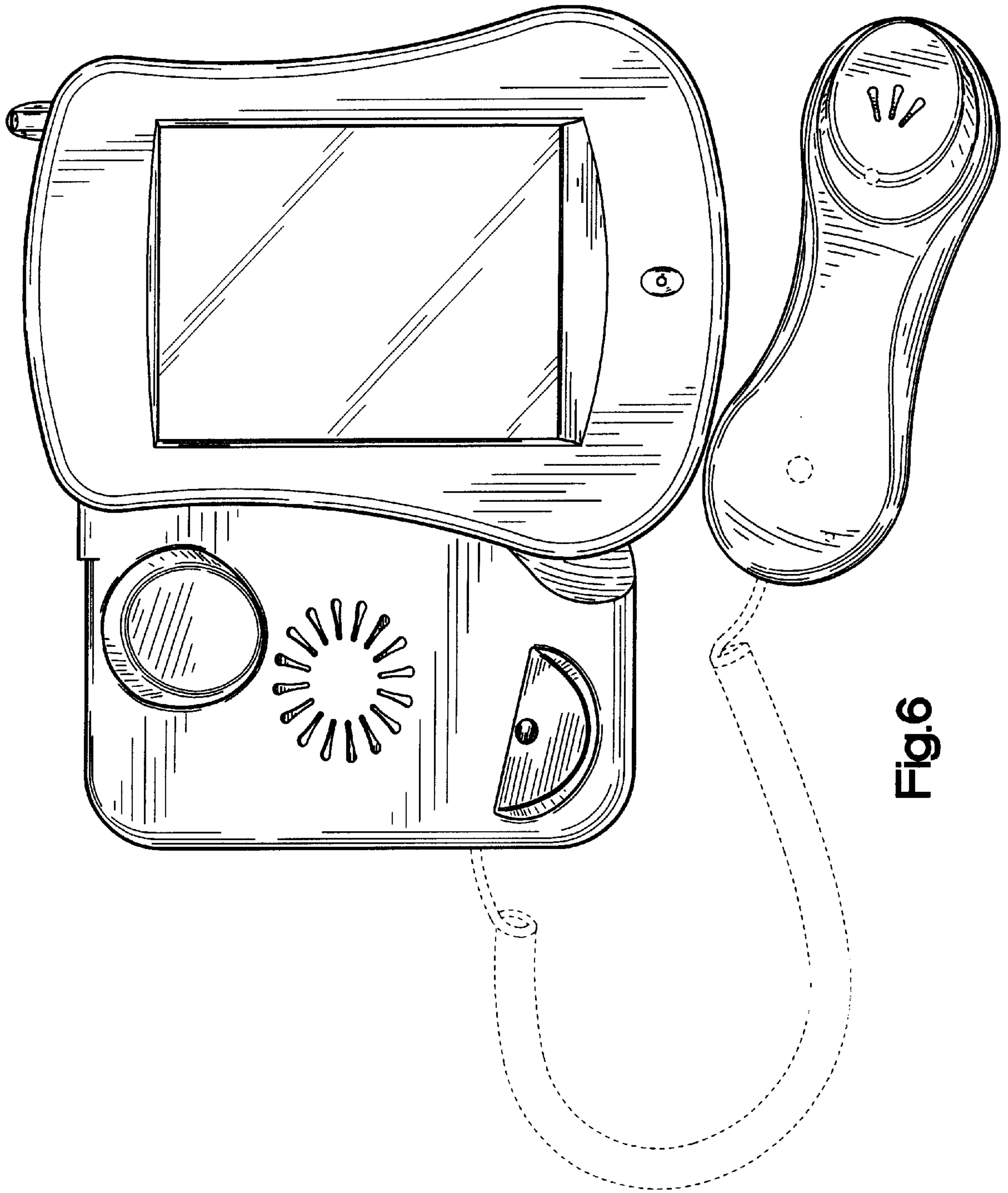


Fig.6