



US00D469064S

(12) **United States Design Patent**
Nieto

(10) **Patent No.:** **US D469,064 S**

(45) **Date of Patent:** **** Jan. 21, 2003**

(54) **MULTI-OUTLET CENTER**

D448,730 S * 10/2001 Lee D13/137.4
D459,307 S * 6/2002 Nieto D13/139.8

(76) Inventor: **Germán Nieto**, 1306 E. Hawthorne Cir., Hollywood, FL (US) 33021

* cited by examiner

(**) Term: **14 Years**

Primary Examiner—Robert M. Spear

(21) Appl. No.: **29/155,808**

(57) **CLAIM**

(22) Filed: **Feb. 19, 2002**

The ornamental design for a multi-outlet center, as shown and described.

(51) **LOC (7) Cl.** **13-03**

DESCRIPTION

(52) **U.S. Cl.** **D13/137.2**

(58) **Field of Search** D13/123, 133, D13/137.1–137.4, 139.1–139.8, 160; 174/48–49, 53–57, 135; 191/12 R, 12.4; 361/614; 439/107, 528, 535–536, 538, 620, 650–654, 954

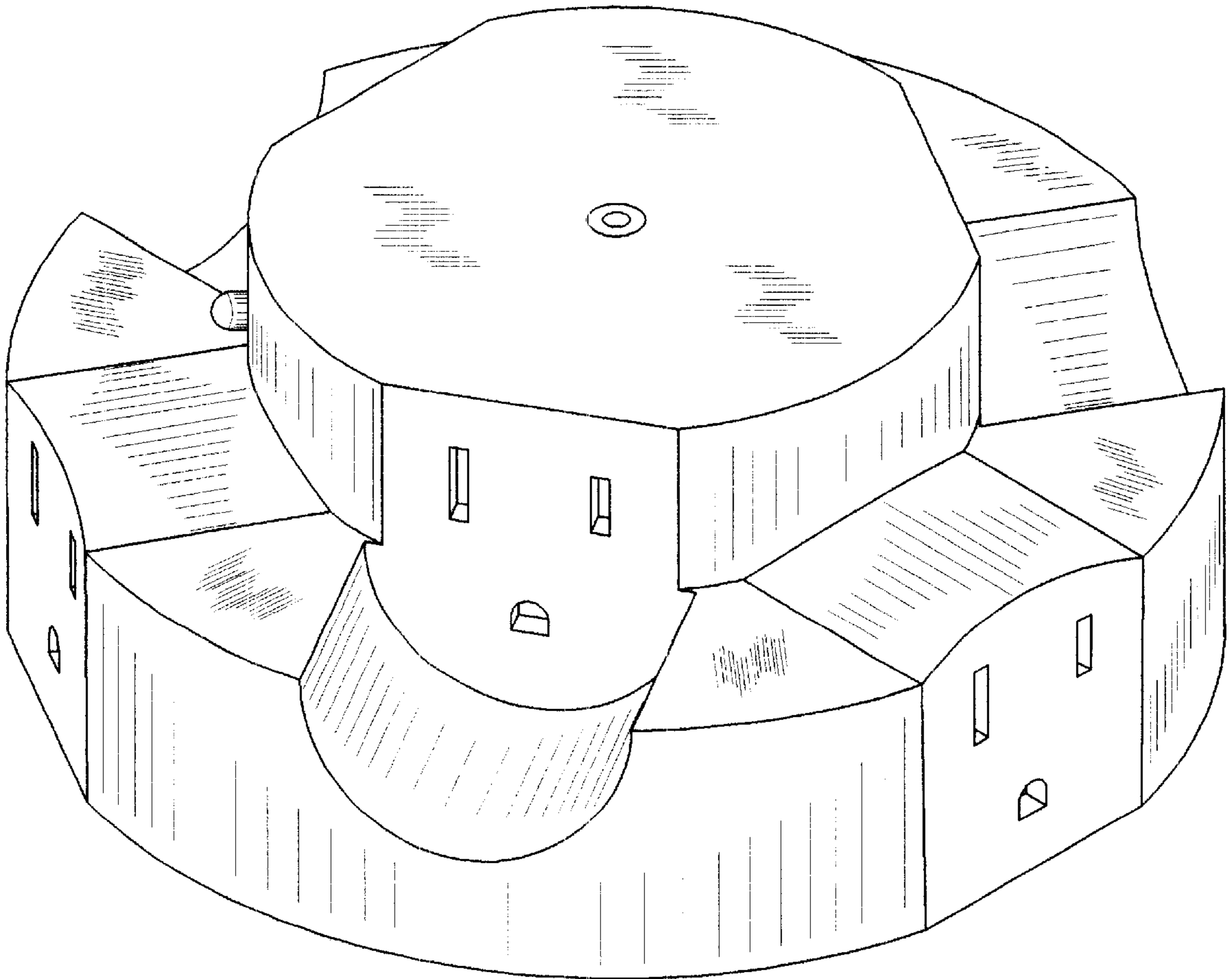
FIG. 1 is a top plan view of a multi-outlet center showing my new design;
FIG. 2 is a rear elevational view thereof;
FIG. 3 is a right hand side elevational view thereof;
FIG. 4 is a left hand side elevational view thereof;
FIG. 5 is a bottom plan view thereof;
FIG. 6 is a front elevational view thereof; and,
FIG. 7 is a perspective view thereof.

(56) **References Cited**

U.S. PATENT DOCUMENTS

D78,966 S * 7/1929 Conner D13/139.7
D381,315 S * 7/1997 Harold D13/139.4

1 Claim, 7 Drawing Sheets



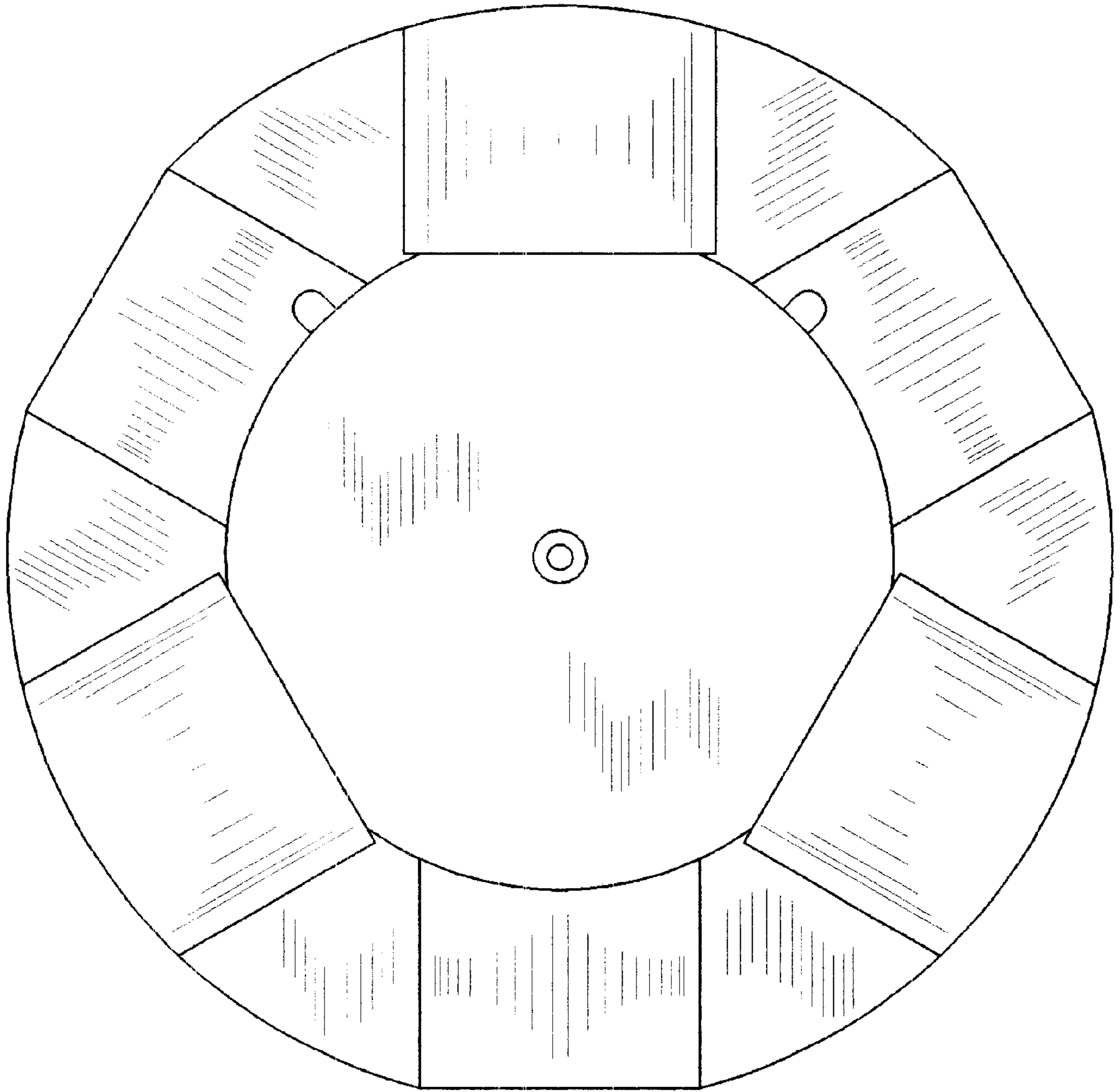


FIG 1

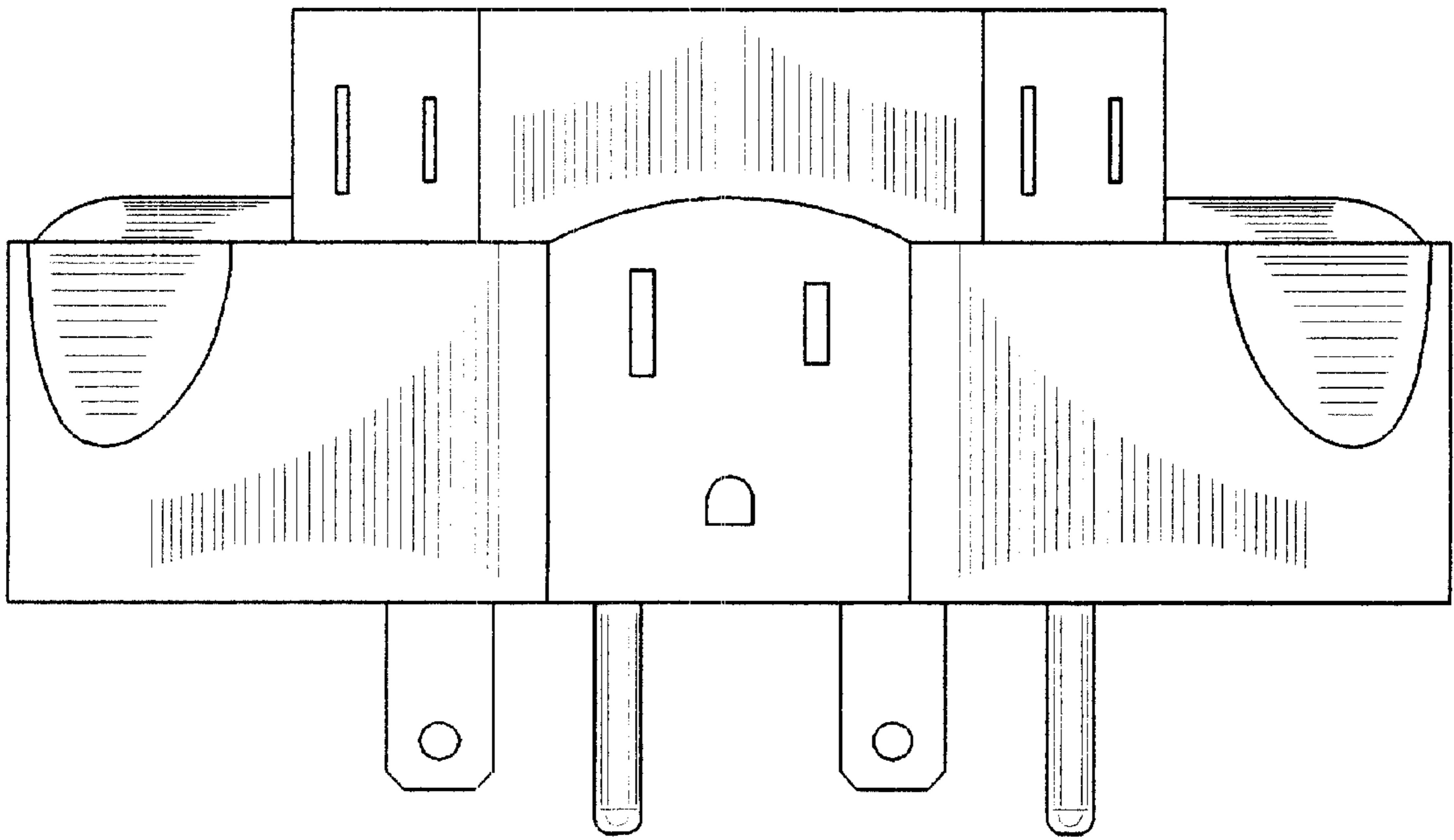


FIG 2

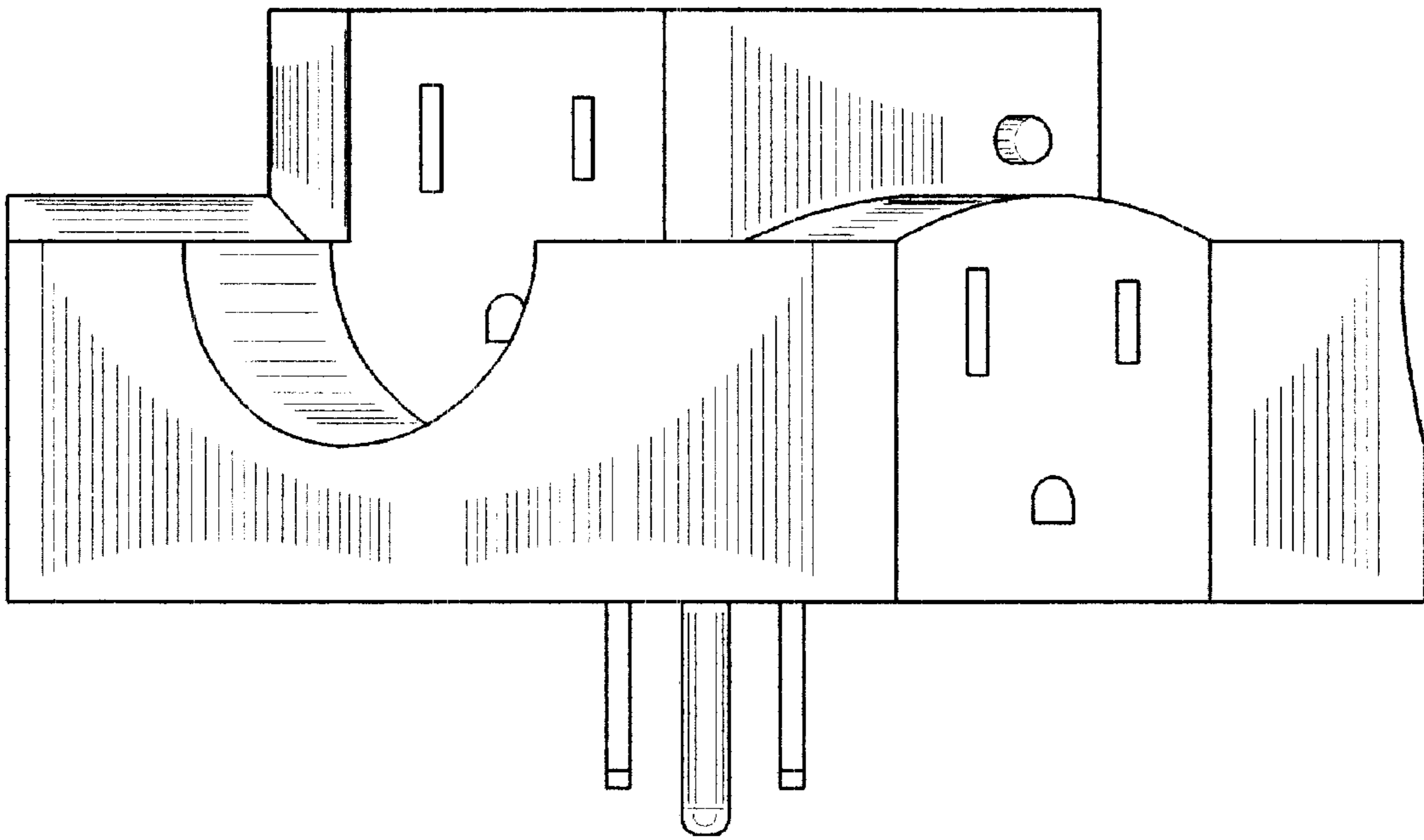


FIG 3

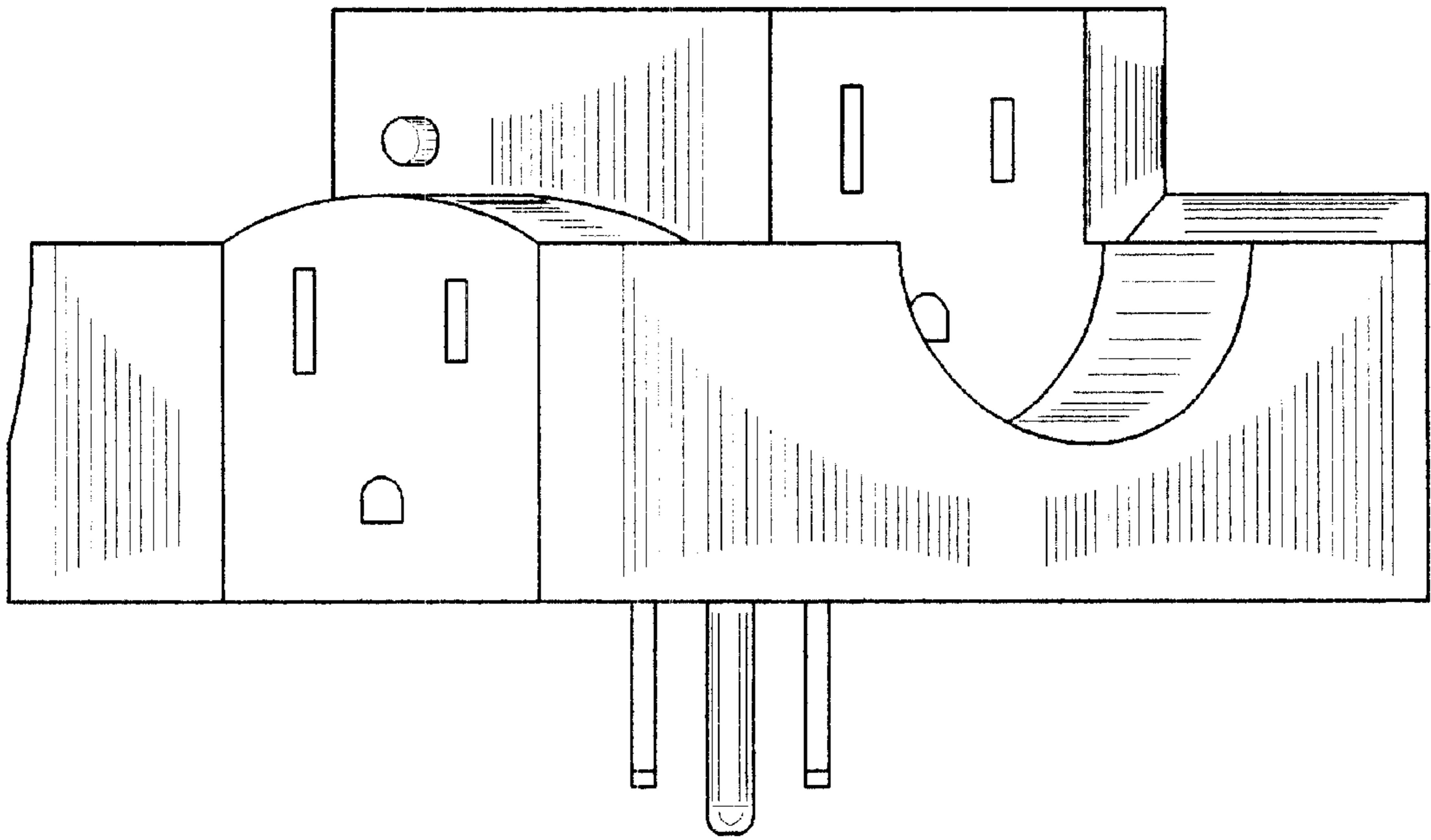


FIG 4

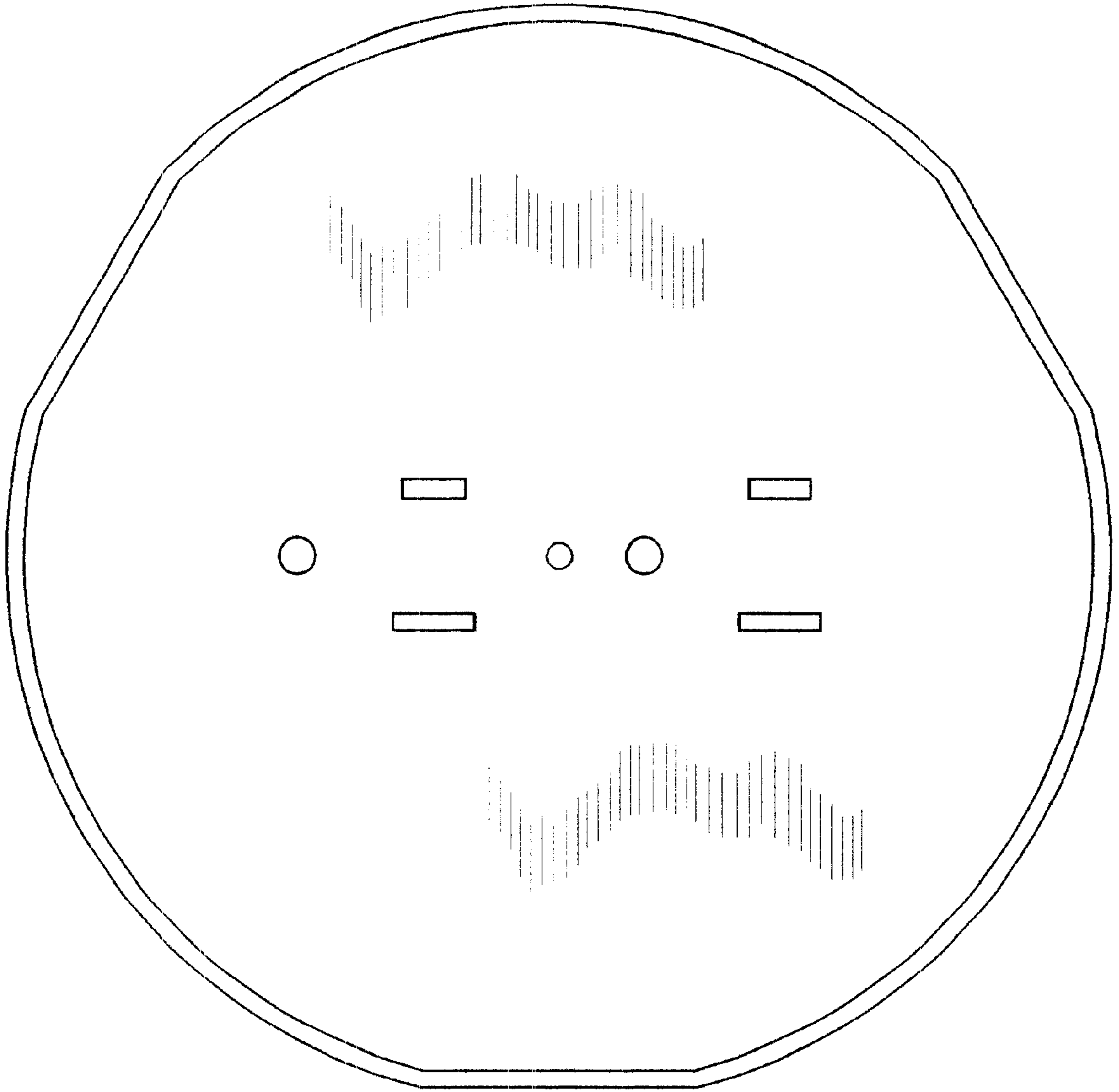


FIG 5

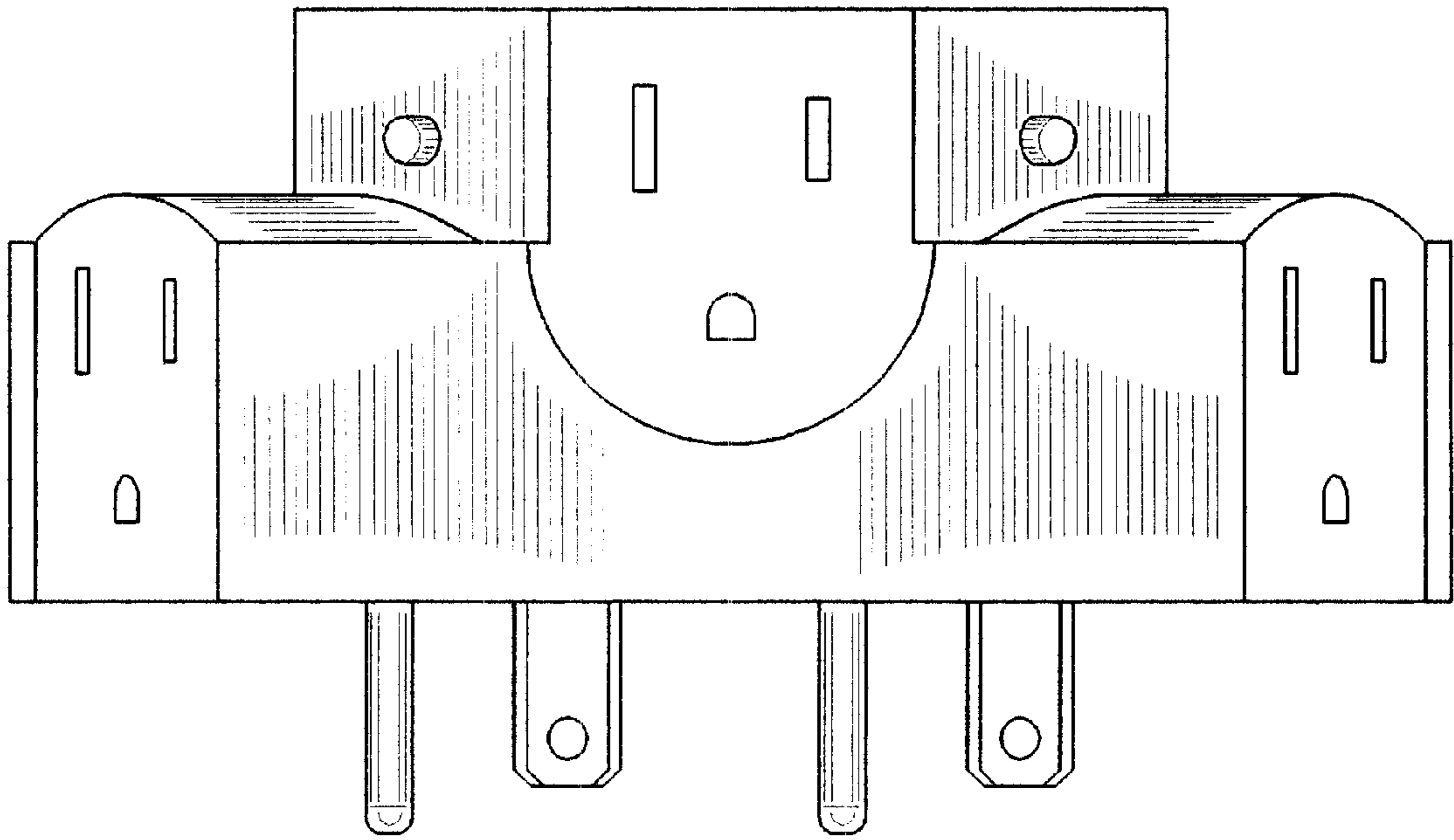


FIG 6

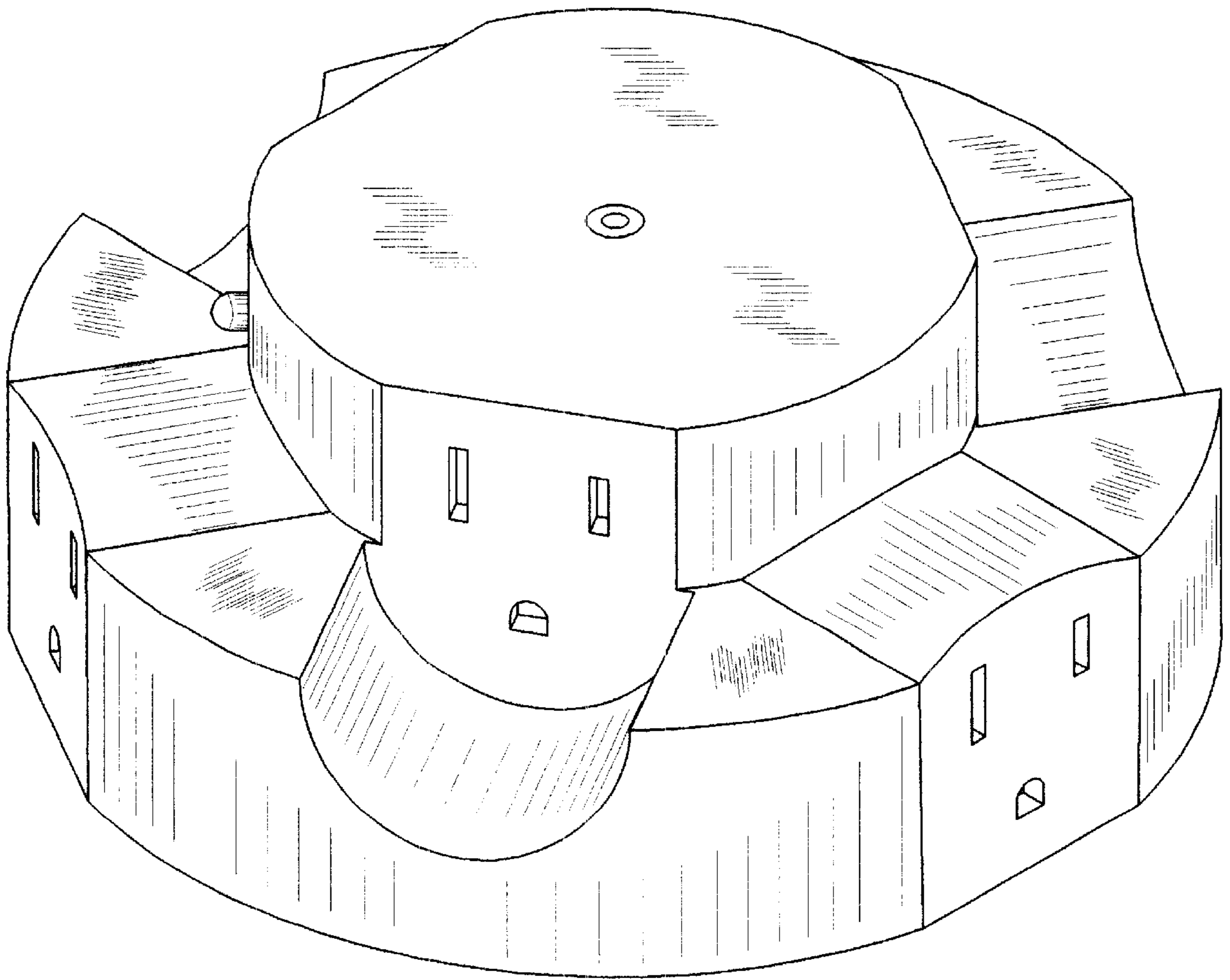


FIG 7