



US00D469063S

(12) **United States Design Patent**
Nieto et al.

(10) **Patent No.:** **US D469,063 S**

(45) **Date of Patent:** **** Jan. 21, 2003**

(54) **TWIN POWER OUTLET**

5,589,718 A * 12/1996 Lee 307/72
6,210,189 B1 * 4/2001 Gantt 439/214

(76) Inventors: **Germán Nieto**, 1306 E. Hawthorne Cir., Hollywood, FL (US) 33021;
Germán Nieto, Jr., 1306 E. Hawthorne Cir., Hollywood, FL (US) 33021

* cited by examiner

Primary Examiner—Robert M. Spear

(**) Term: **14 Years**

(57) **CLAIM**

(21) Appl. No.: **29/153,909**

The ornamental design for a twin power outlet, as shown and described.

(22) Filed: **Jan. 16, 2002**

DESCRIPTION

(51) **LOC (7) Cl.** **13-03**

(52) **U.S. Cl.** **D13/137.2**

(58) **Field of Search** D13/123, 133,
D13/137.1–137.4, 139.1–139.8; 174/48,
49, 53–57; 191/12 R, 12.4; 361/614; 439/373,
528, 535, 536, 538, 650

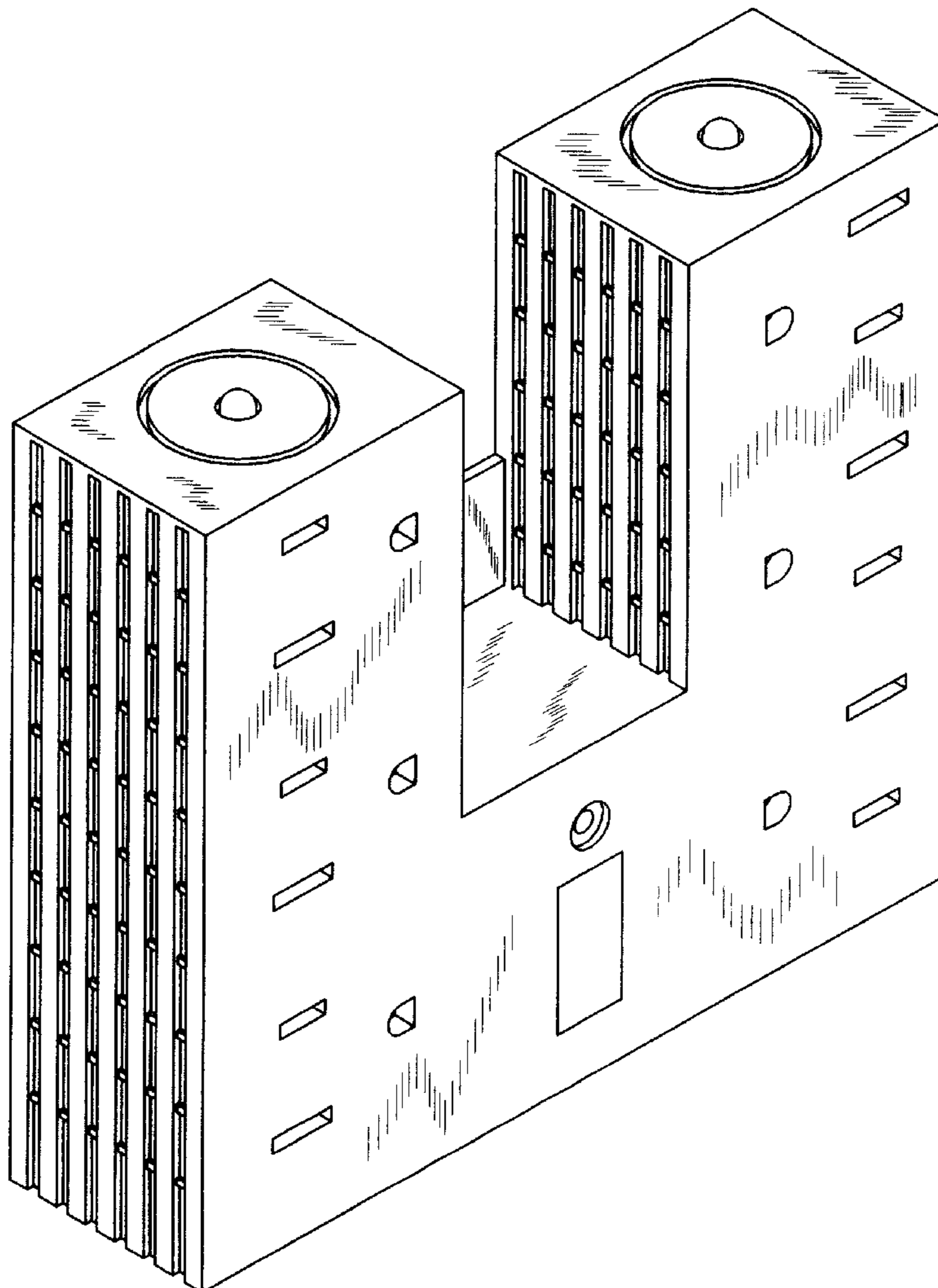
FIG. 1 is a front elevational view of a twin power outlet showing our new design;
FIG. 2 is a top plan view;
FIG. 3 is a bottom plan view thereof;
FIG. 4 is a right hand side elevational view thereof;
FIG. 5 is a left hand side elevational view thereof;
FIG. 6 is a rear elevational view thereof; and,
FIG. 7 is a perspective view thereof.

(56) **References Cited**

U.S. PATENT DOCUMENTS

D284,758 S * 7/1986 Maloney D13/137.3

1 Claim, 5 Drawing Sheets



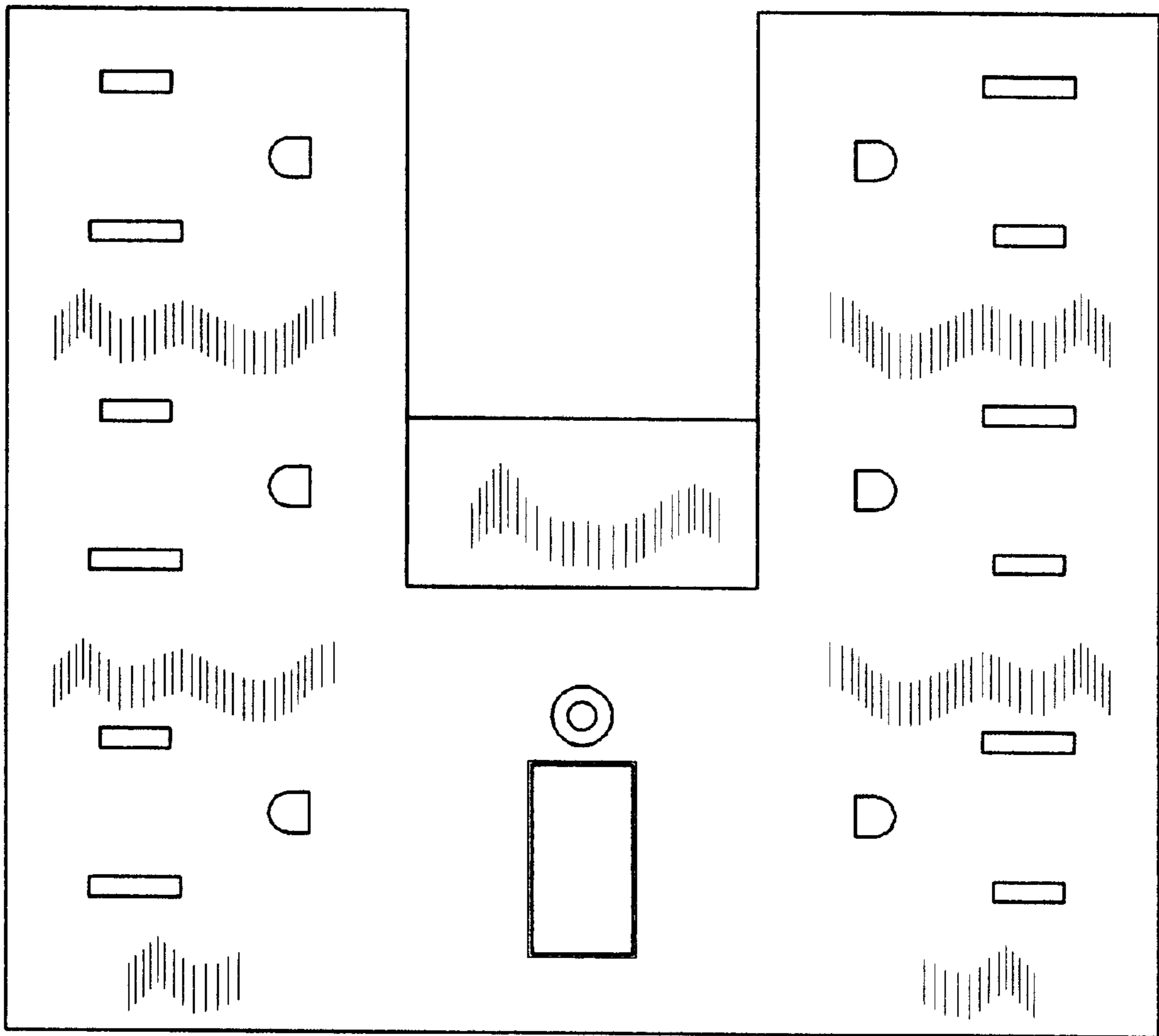


FIG 1

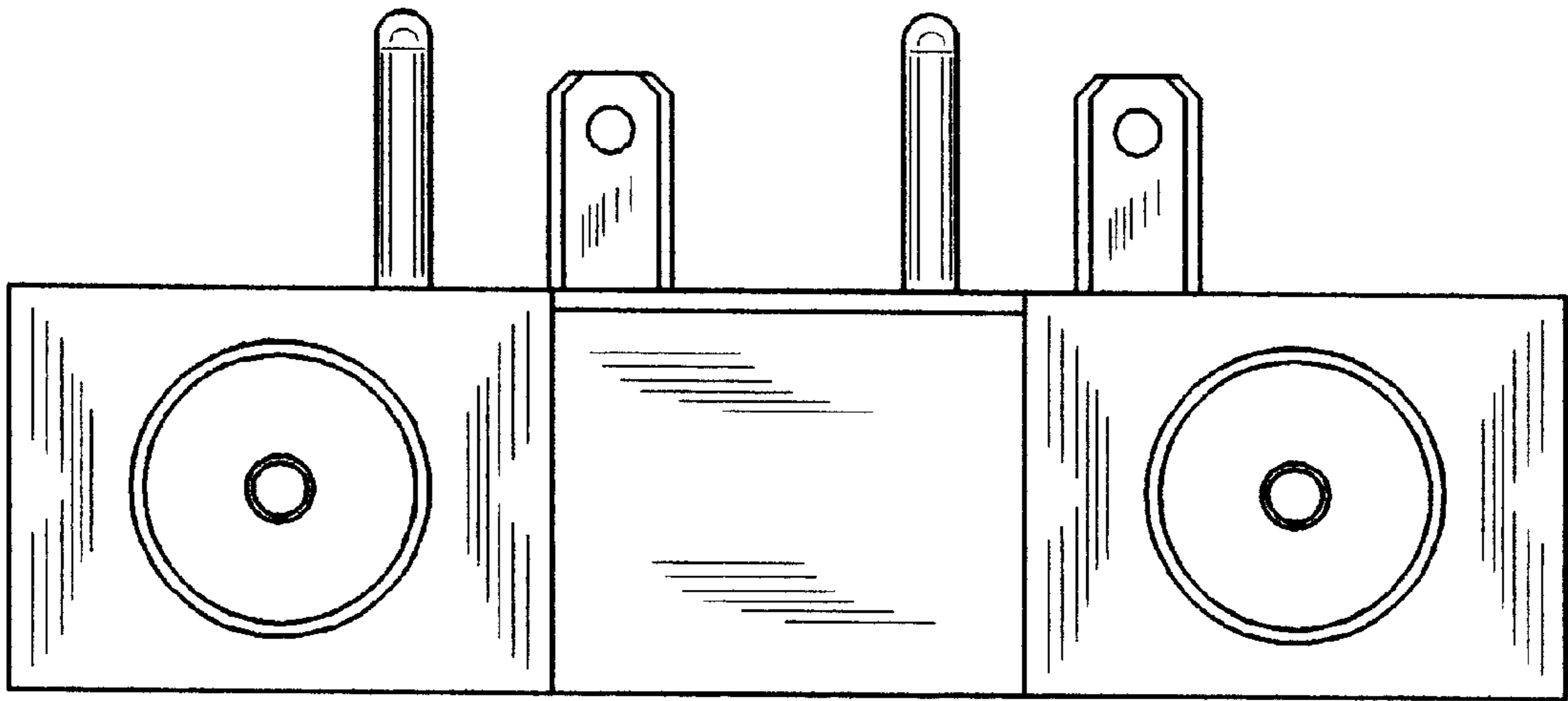


FIG 2

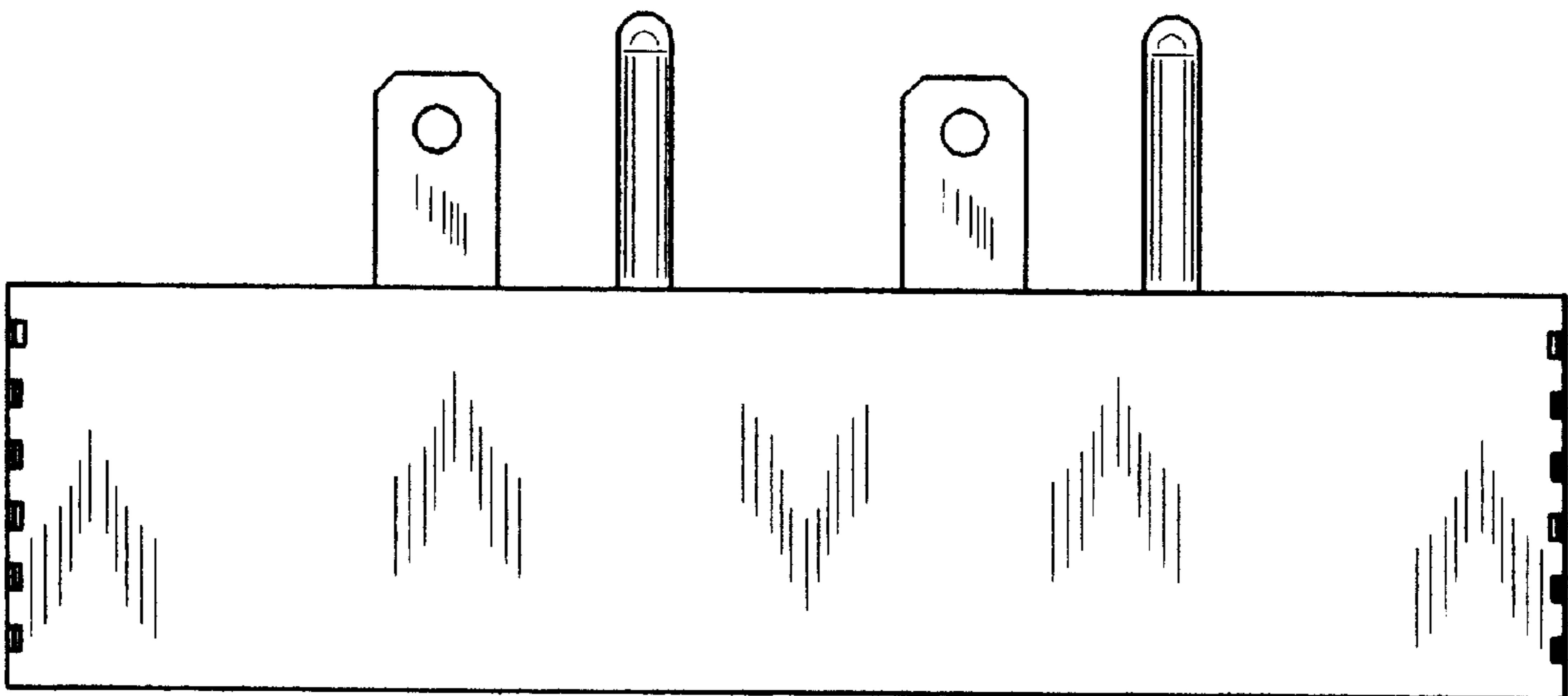


FIG 3

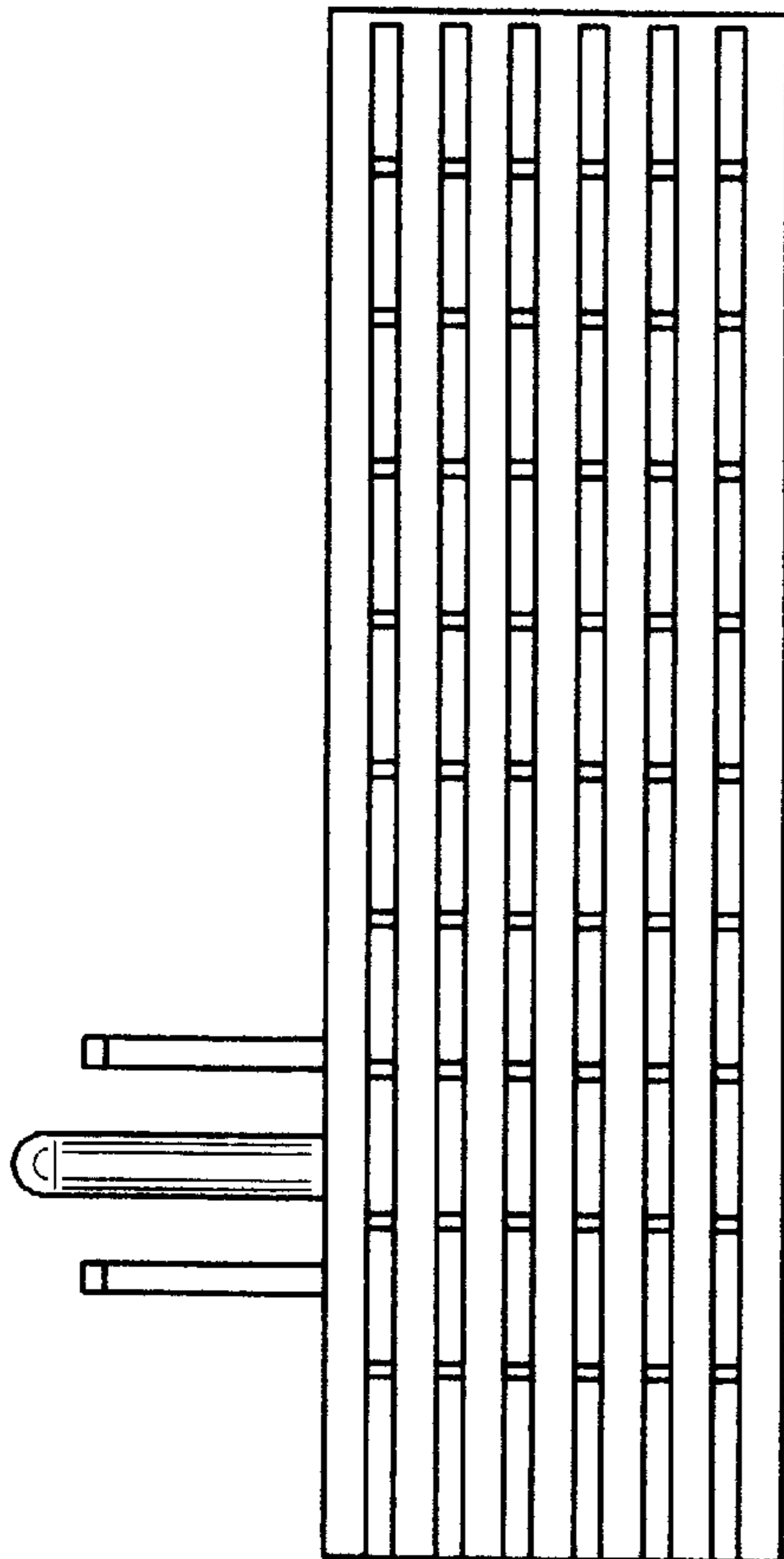


FIG 4

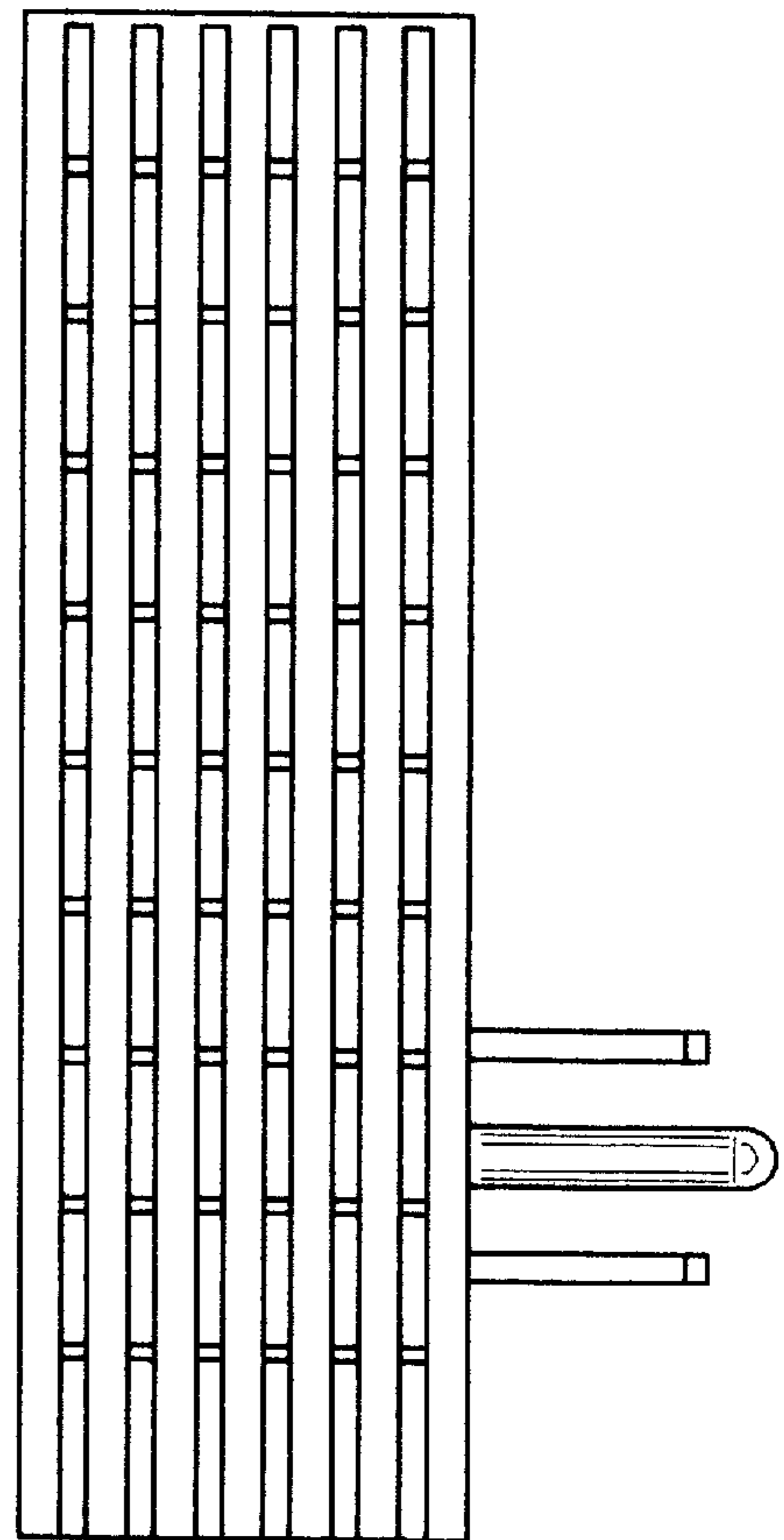


FIG 5

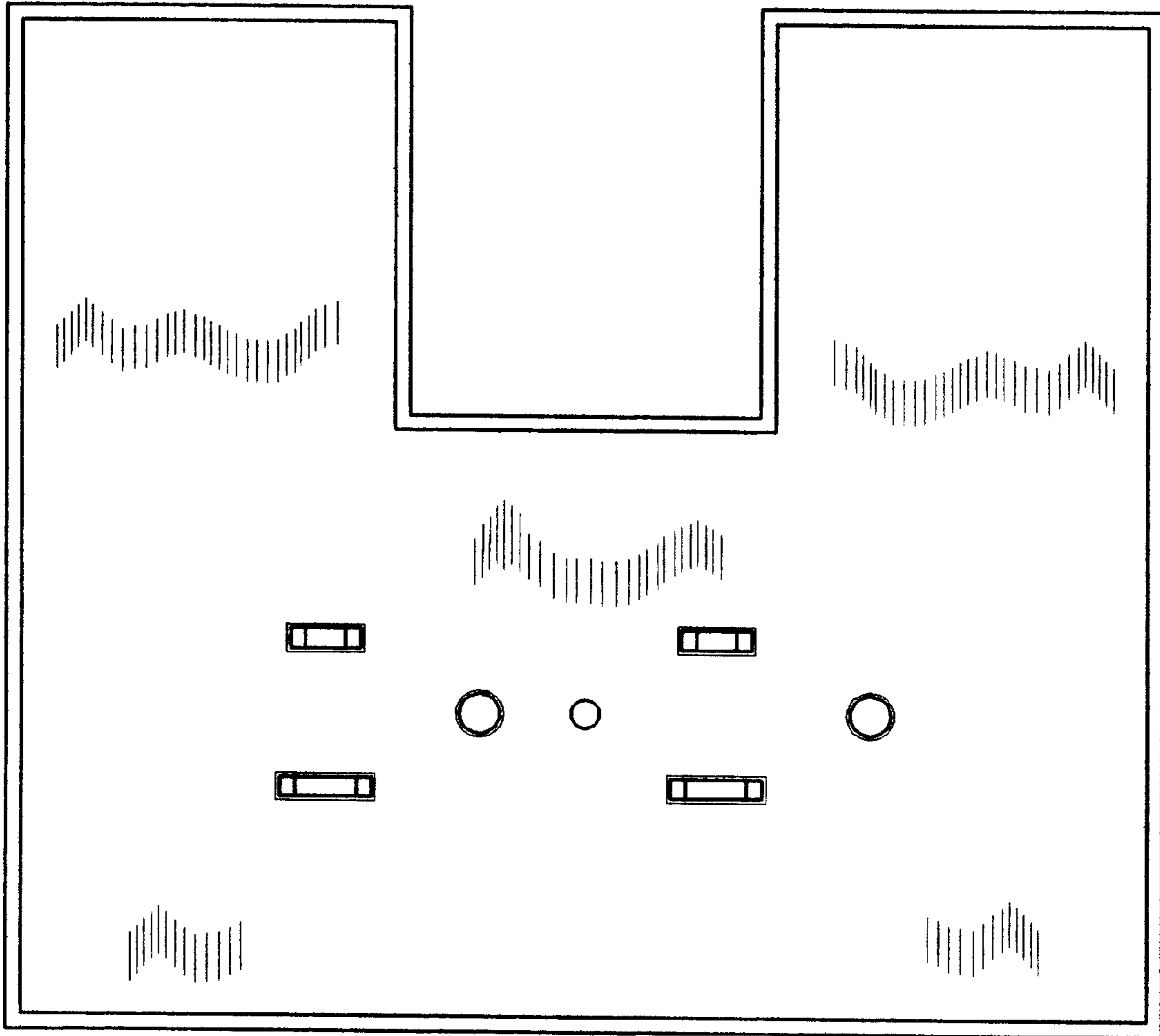


FIG 6

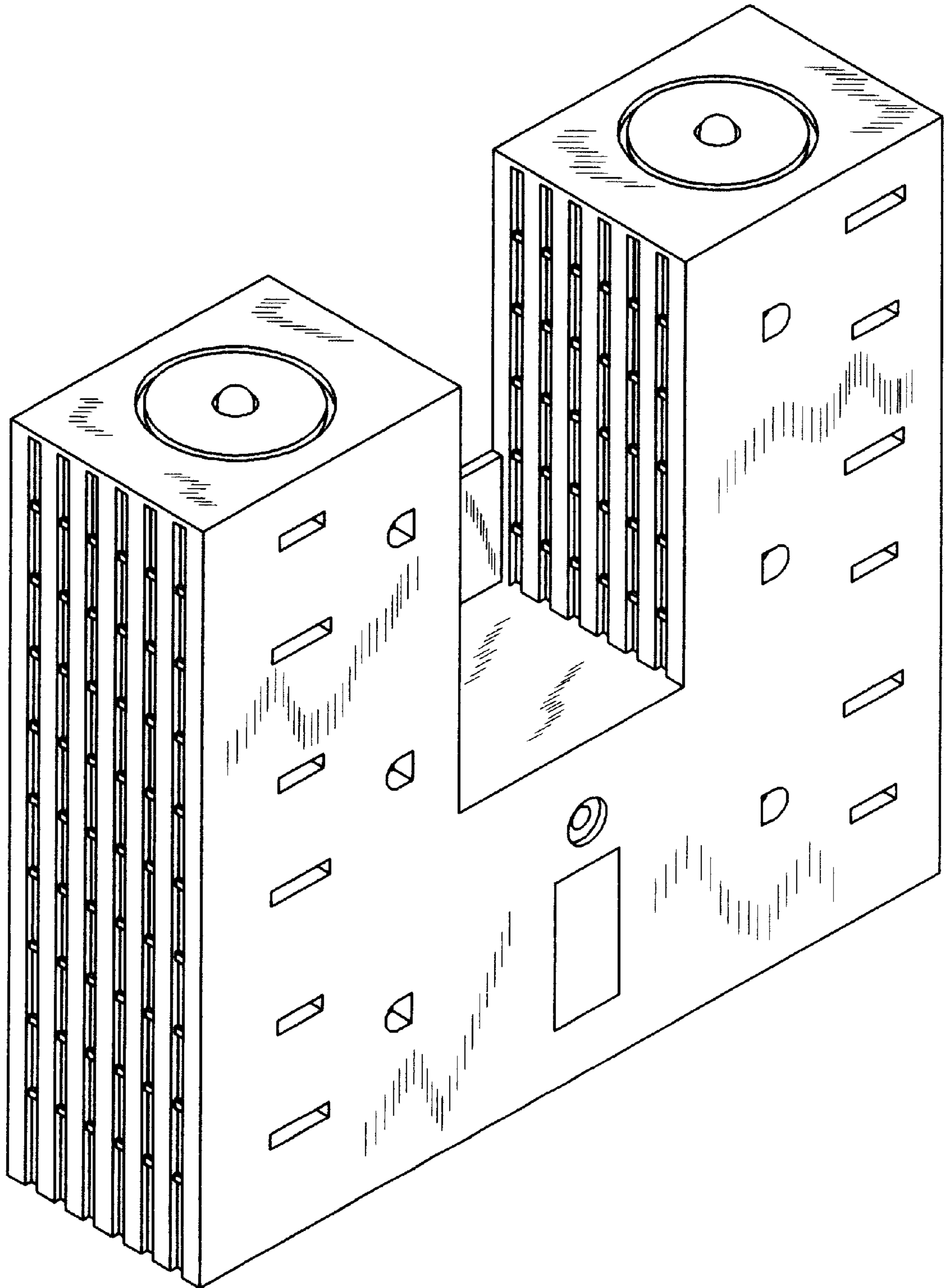


FIG 7