



US00D469060S

(12) **United States Design Patent**  
Noguchi et al.

(10) **Patent No.:** **US D469,060 S**

(45) **Date of Patent:** **\*\* Jan. 21, 2003**

(54) **POWER SUPPLY APPARATUS**

D442,913 S \* 5/2001 Nagahara et al. .... D13/110

(75) Inventors: **Shoichi Noguchi**, Iruma (JP); **Satoshi Endo**, Iruma (JP)

\* cited by examiner

*Primary Examiner*—Lisa Lichtenstein

(73) Assignee: **Shindengen Electric Manufacturing Co., Ltd.**, Tokyo (JP)

(74) *Attorney, Agent, or Firm*—Antonelli, Terry, Stout & Kraus, LLP

(\*\*) Term: **14 Years**

(57) **CLAIM**

The ornamental design for a power supply apparatus, as shown and described.

(21) Appl. No.: **29/157,767**

**DESCRIPTION**

(22) Filed: **Mar. 26, 2002**

(30) **Foreign Application Priority Data**

Sep. 26, 2001 (JP) ..... 2001-028038

FIG. 1 is a front, plan and right side perspective view of a power supply apparatus showing our new design;

(51) **LOC (7) Cl.** ..... **13-02**

FIG. 2 is a front elevational view thereof;

(52) **U.S. Cl.** ..... **D13/110**

FIG. 3 is a rear elevational view thereof;

(58) **Field of Search** ..... D13/110; 307/150;  
361/836, 141, 696, 687

FIG. 4 is a top plan view thereof;

FIG. 5 is a bottom plan view thereof;

FIG. 6 is an enlarged left side elevational view thereof; and, FIG. 7 is an enlarged right side elevational view thereof.

The broken line showing of environmental structure in FIG. 5 is for illustrative purposes only and forms no part of the claimed design.

(56) **References Cited**

**U.S. PATENT DOCUMENTS**

6,046,921 A \* 4/2000 Tracewell et al. .... 361/687

**1 Claim, 3 Drawing Sheets**

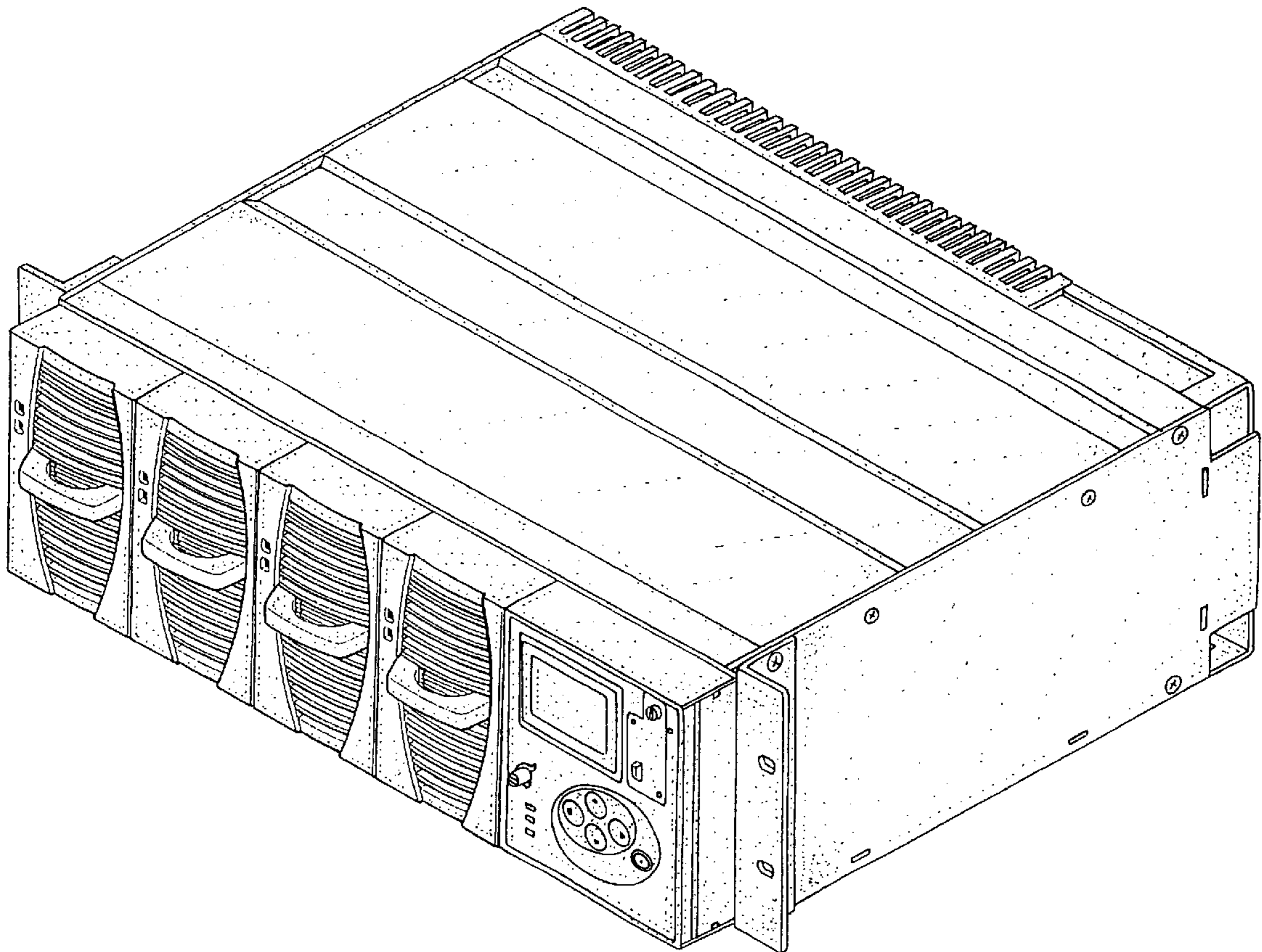


FIG. 1

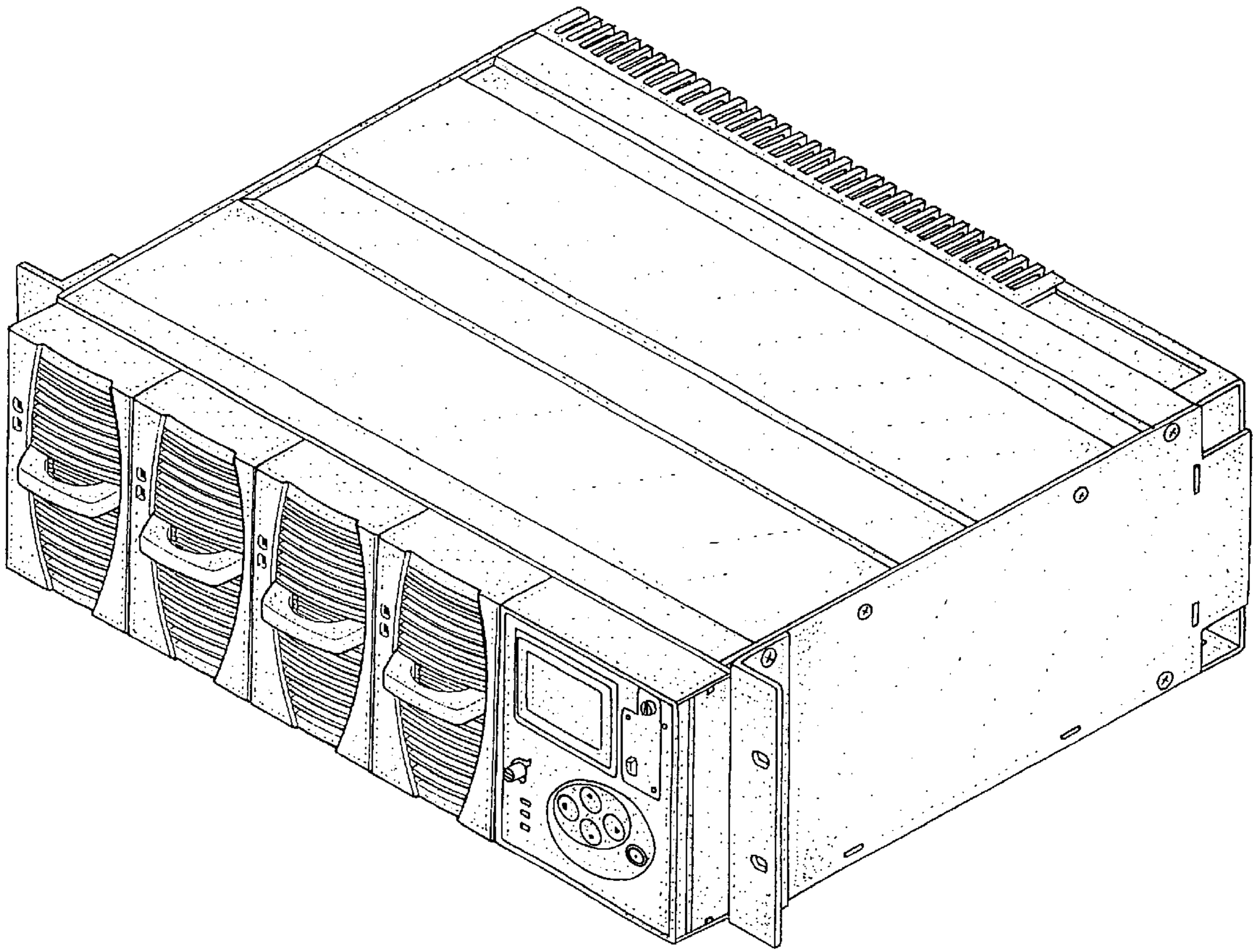


FIG. 2

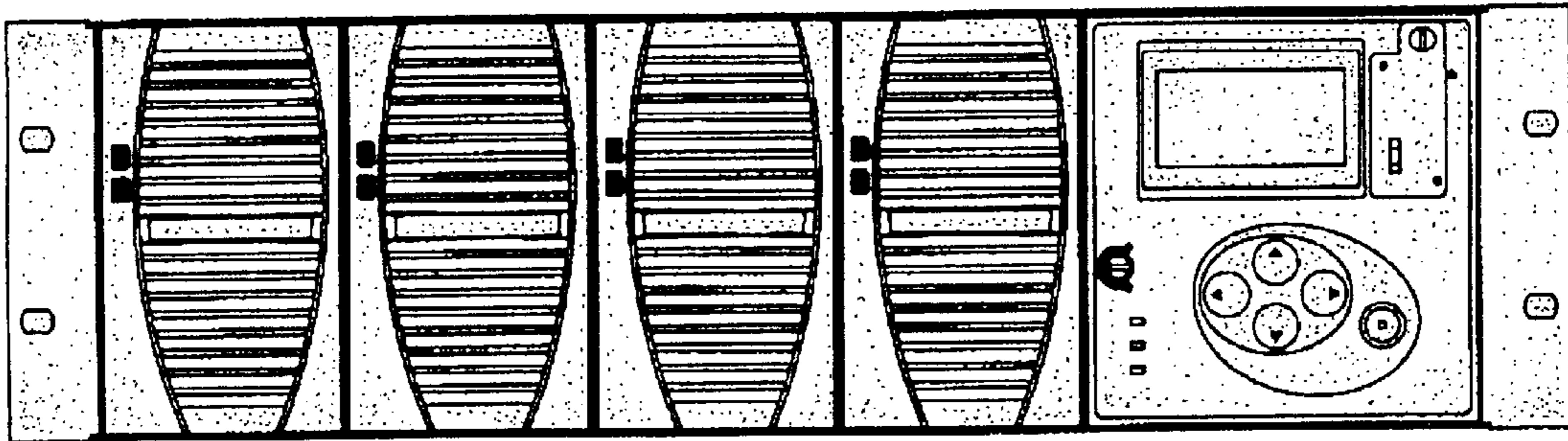


FIG. 3

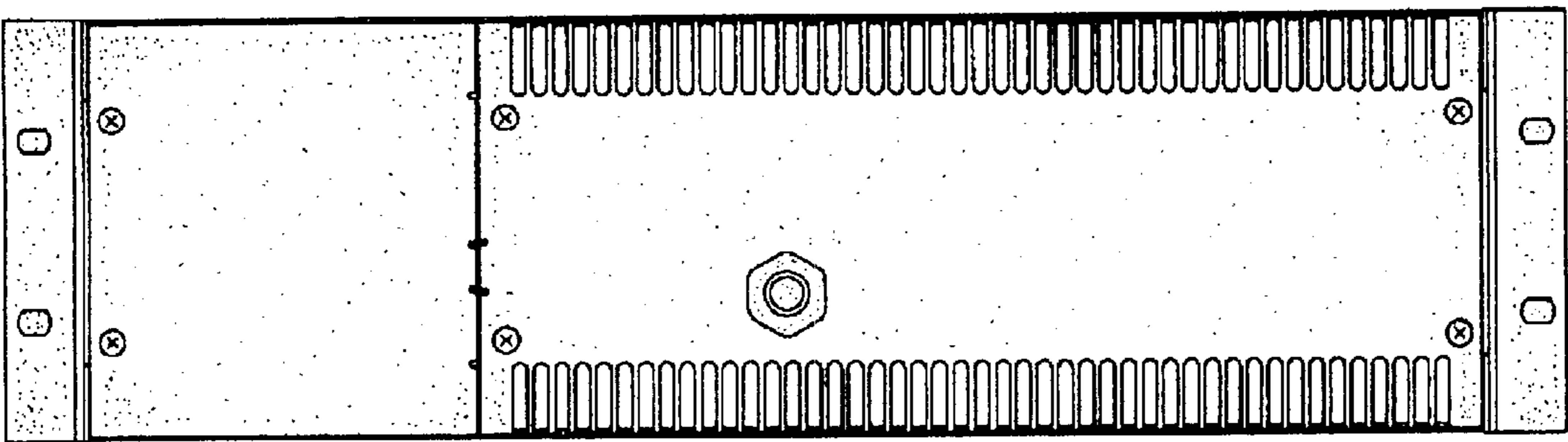


FIG. 4

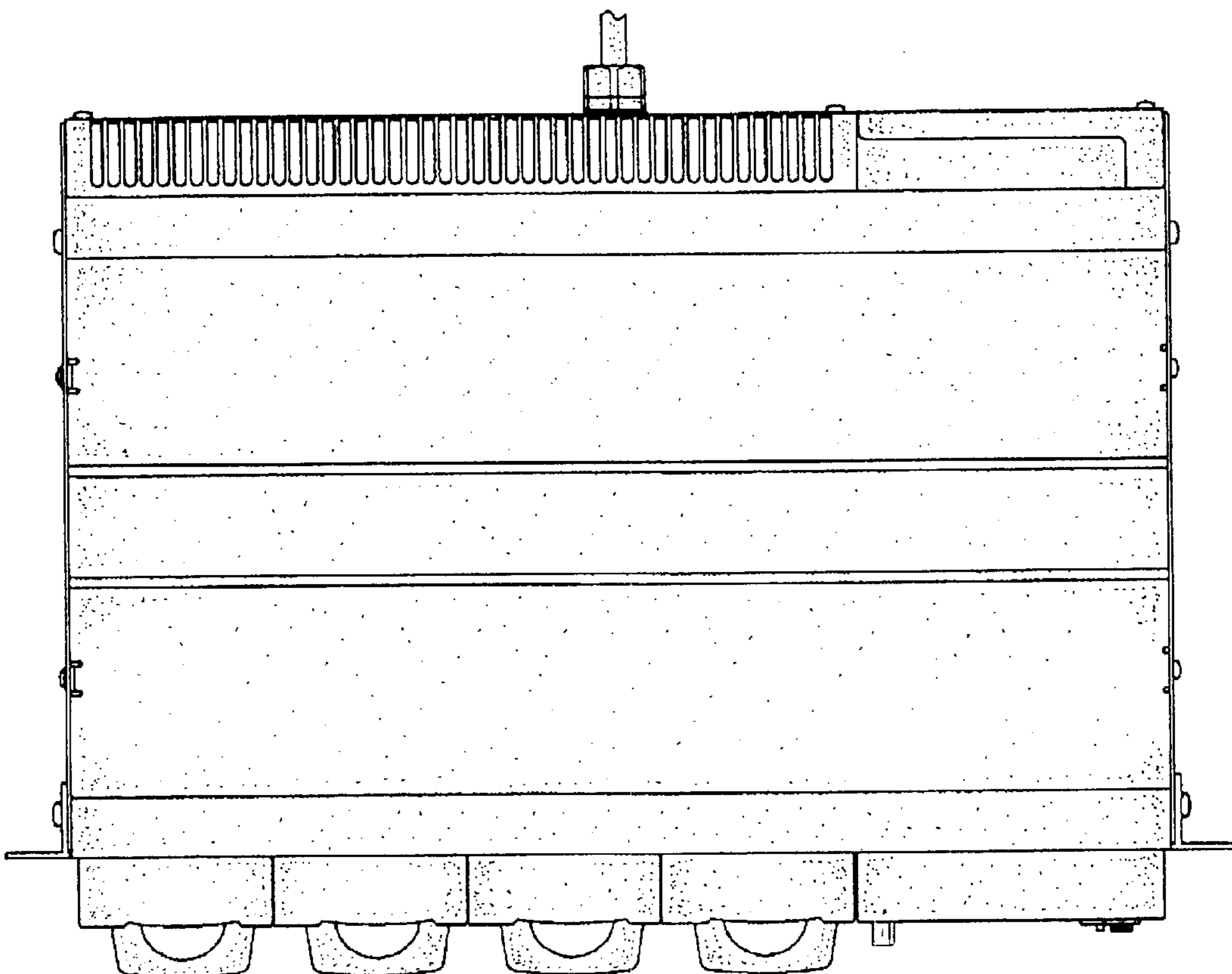


FIG. 5

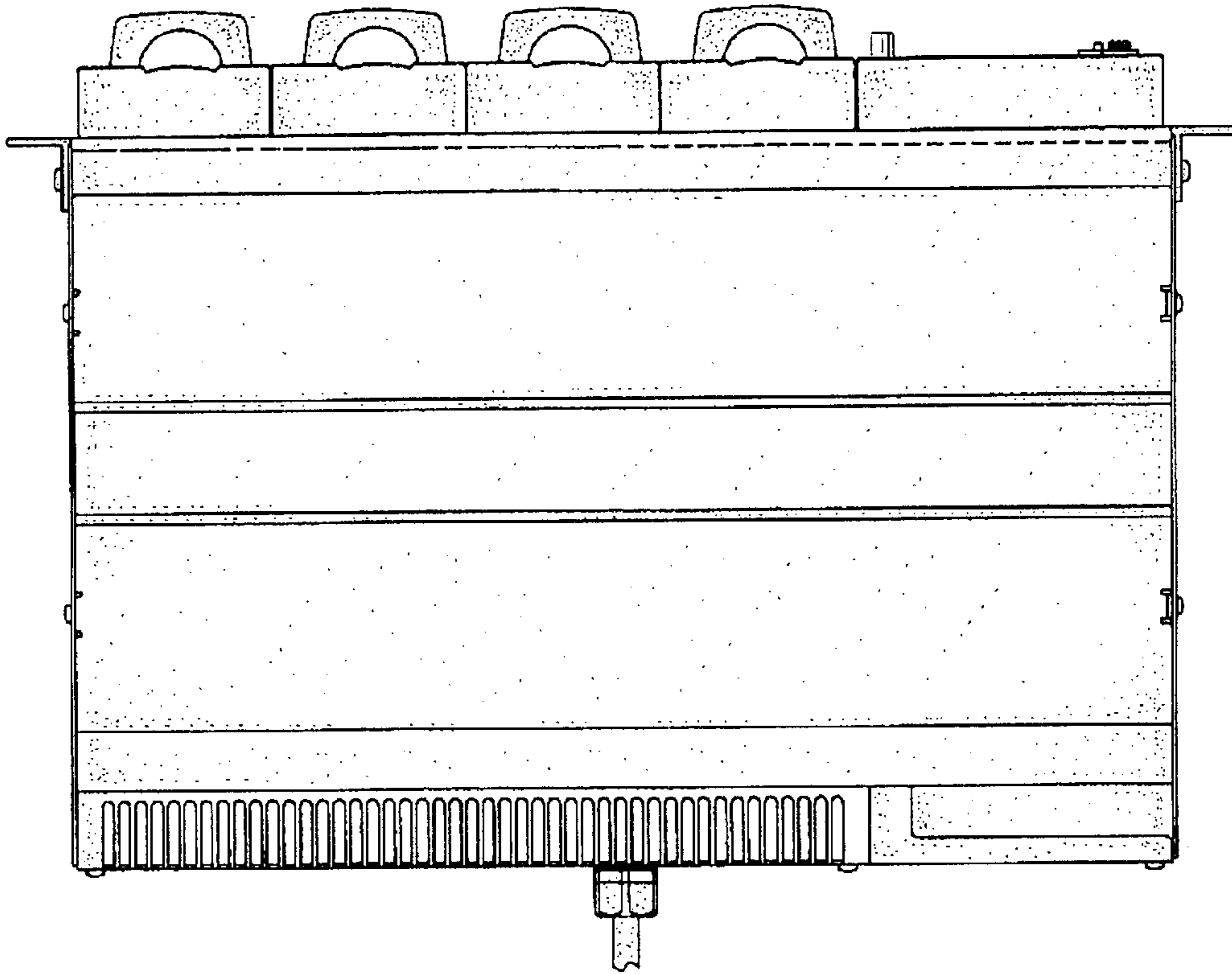


FIG. 6

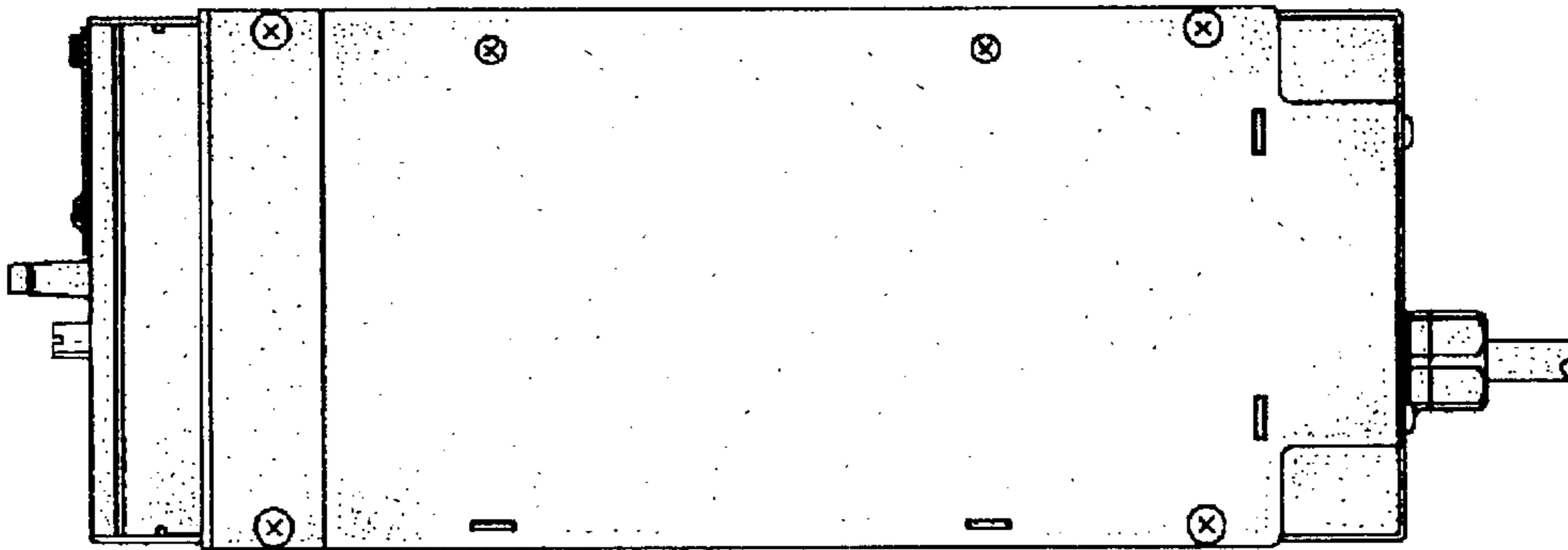


FIG. 7

