



US00D469055S

(12) **United States Design Patent**
Johenning et al.

(10) **Patent No.:** **US D469,055 S**

(45) **Date of Patent:** **** Jan. 21, 2003**

(54) **TIRE TREAD**

D379,449 S * 5/1997 Graas et al. D12/551
D387,312 S * 12/1997 Himuro et al. D12/563

(75) Inventors: **Christopher Paul Johenning**,
Wadsworth, OH (US); **Michael Joseph**
Weber, Mogadore, OH (US); **John**
Janis Taube, Tallmadge, OH (US)

OTHER PUBLICATIONS

Dayton Daytona ZR Tire, 2000 Tread Design Guide, Jan.
2000, p. 24. 1/2.*

(73) Assignee: **The Goodyear Tire & Rubber**
Company, Akron, OH (US)

* cited by examiner

(**) Term: **14 Years**

Primary Examiner—Robert M. Spear
(74) *Attorney, Agent, or Firm*—David L. King

(21) Appl. No.: **29/157,836**

(57) **CLAIM**

(22) Filed: **Mar. 25, 2002**

The ornamental Design for a tire tread, as shown and
described.

(51) **LOC (7) Cl.** **12-15**

DESCRIPTION

(52) **U.S. Cl.** **D12/563**

(58) **Field of Search** D12/544, 546,
D12/547, 549, 551, 553, 554, 555, 558,
559, 560, 561, 562, 563, 564, 565, 566,
567, 579, 586, 588, 589, 590, 591, 595,
603; 152/209.1, 209.12, 209.13, 209.26,
209.27, 209.28

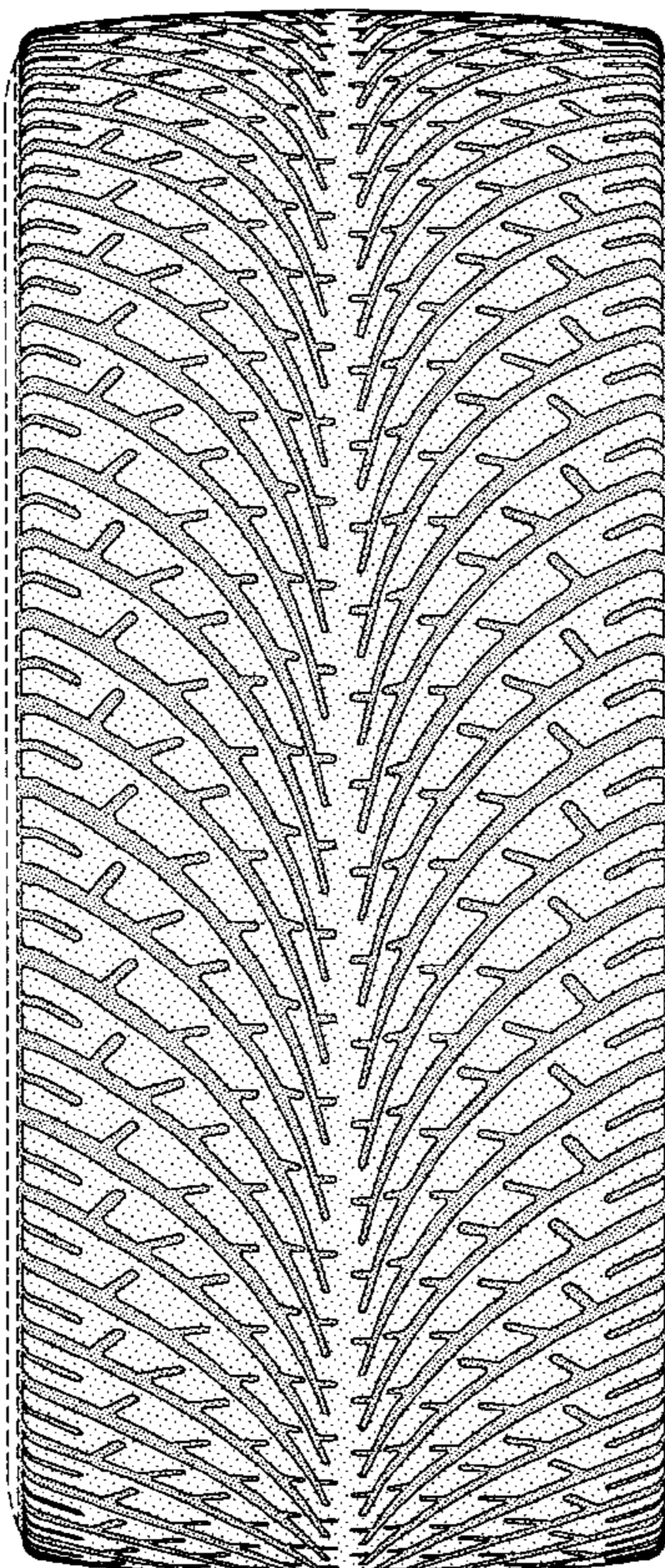
FIG. 1 is a perspective view of a tire tread showing our new
design, it being understood that the pattern repeats uni-
formly throughout the circumference of the tread;
FIG. 2 is a front elevational view thereof;
FIG. 3 is a side elevational view thereof, the opposite side
elevational view being a mirror image thereof; and,
FIG. 4 is an enlarged fragmentary perspective view.
In the drawings, the broken lines defining the sidewall and
inner bead and the peripheral boundary between the tire
tread and the sidewall are for illustrative purposes only and
form no part of the claimed design.

(56) **References Cited**

U.S. PATENT DOCUMENTS

4,667,717 A * 5/1987 Graas 152/209.18
D312,063 S * 11/1990 Covert et al. D12/566
D347,606 S * 6/1994 Mehta D12/600
D370,880 S * 6/1996 Graas D12/551

1 Claim, 4 Drawing Sheets



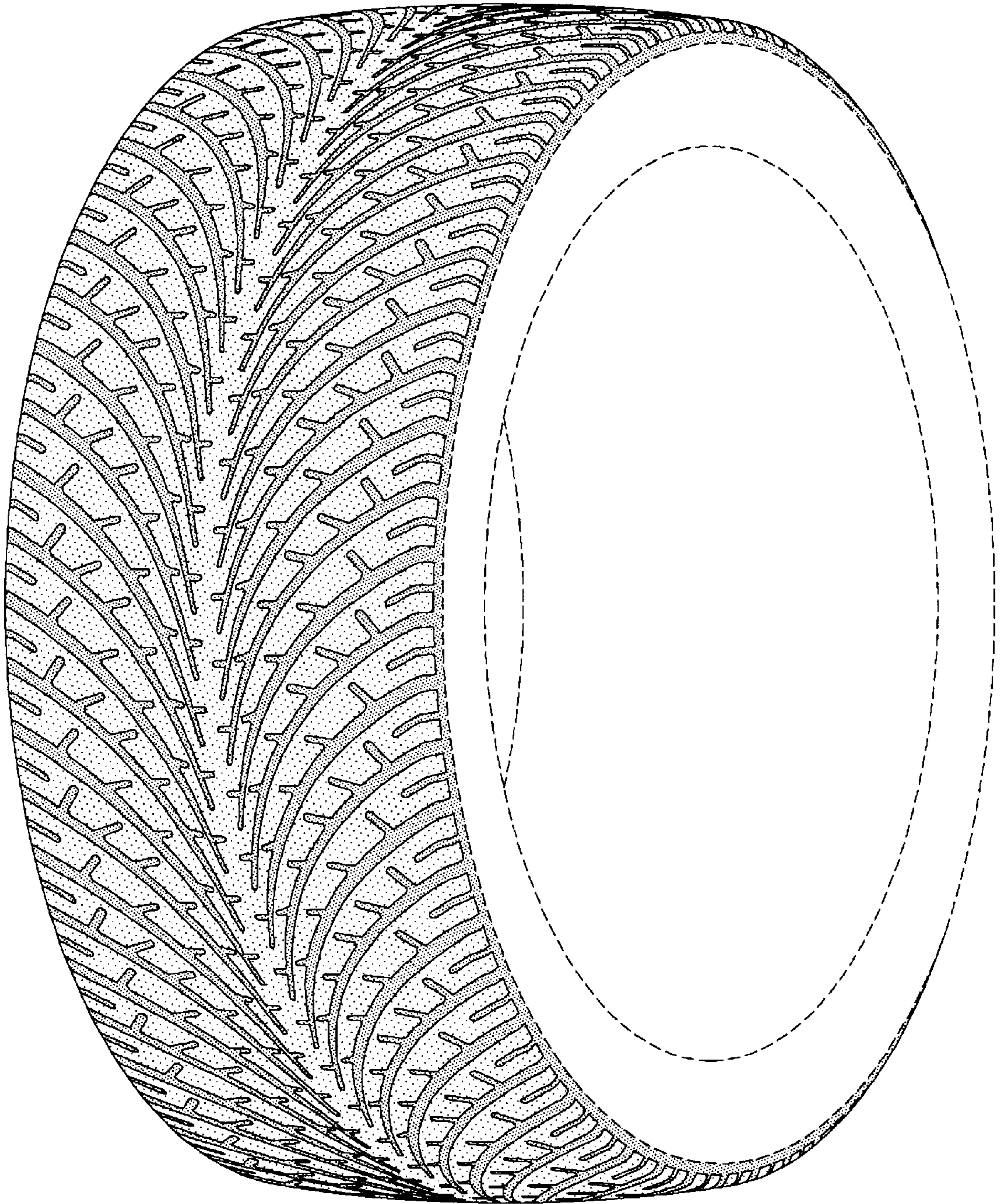


FIG-1

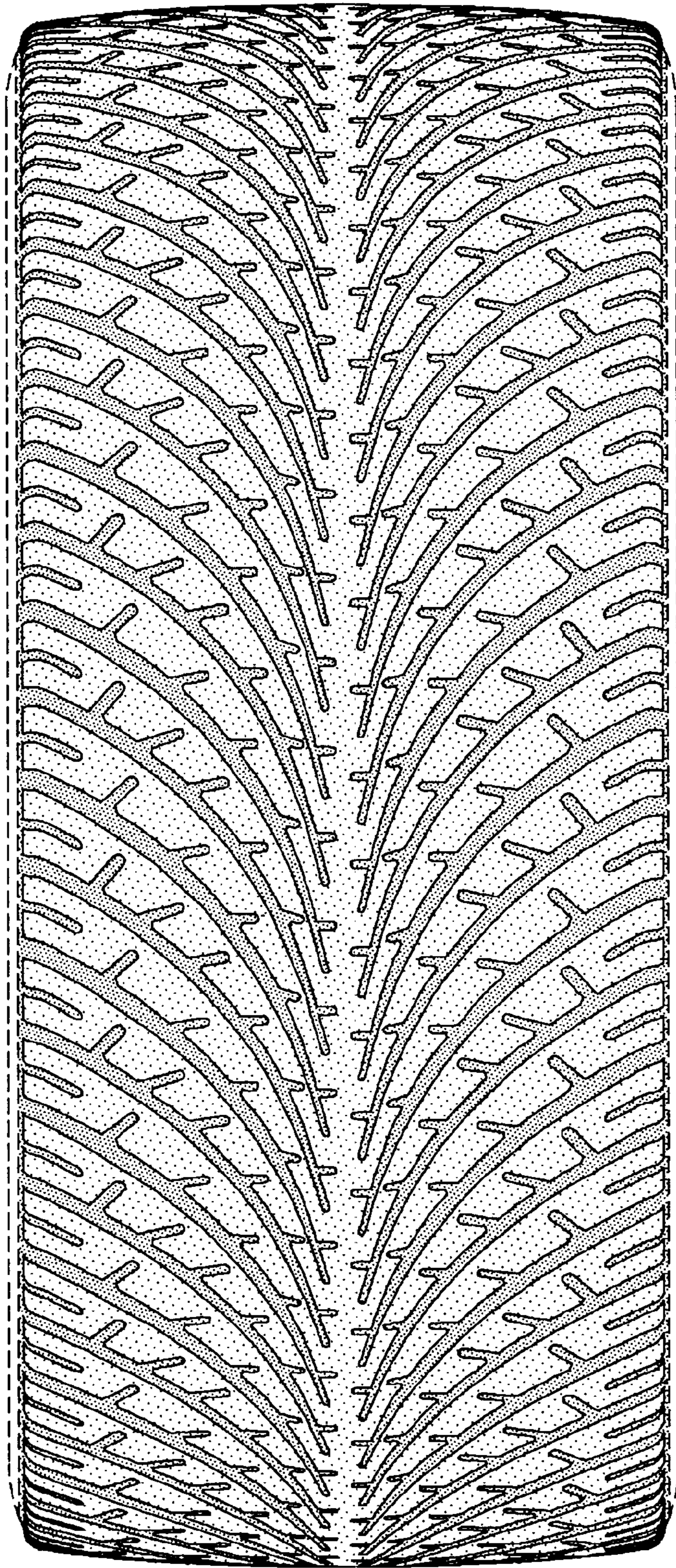


FIG-2

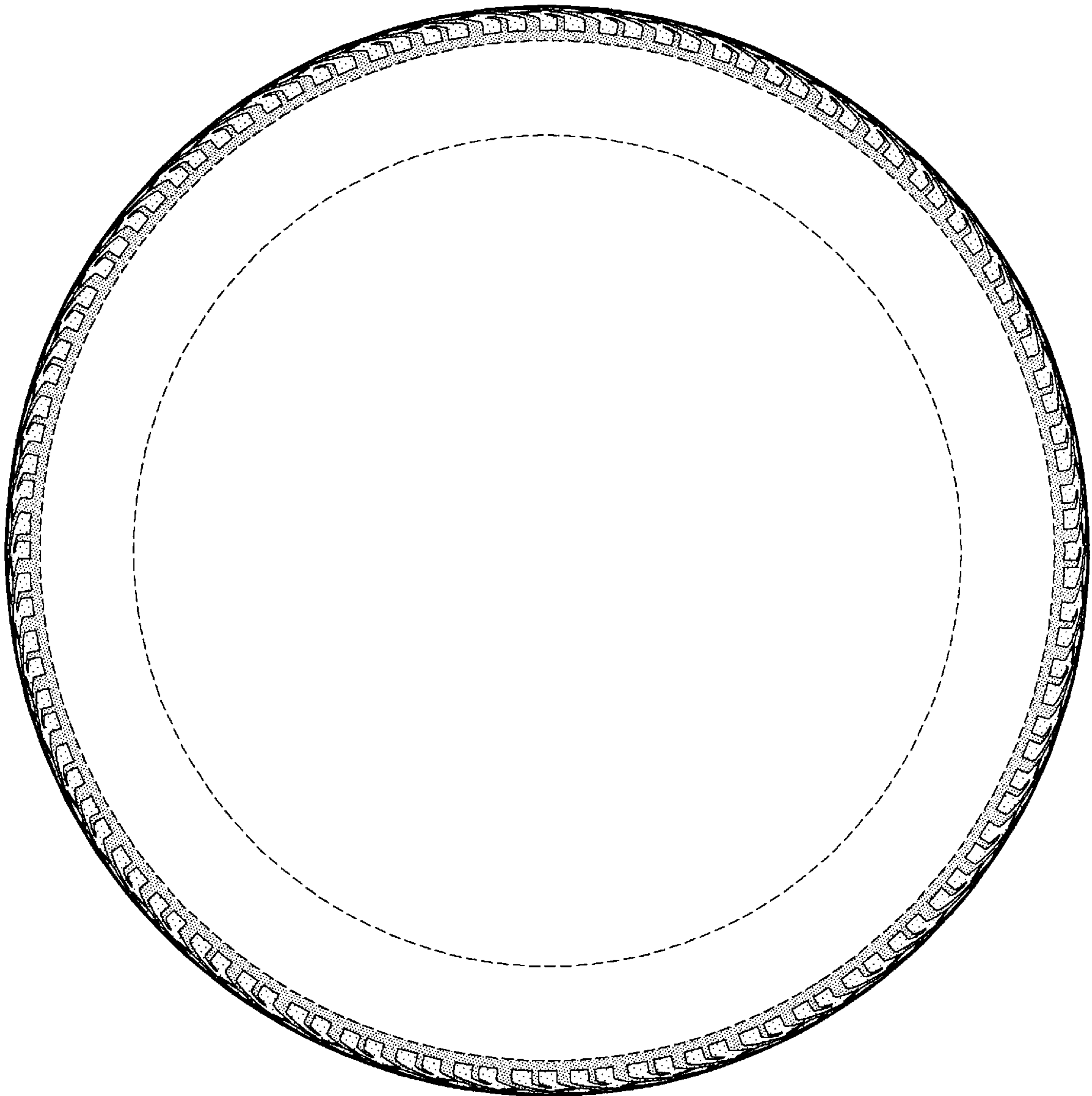


FIG-3

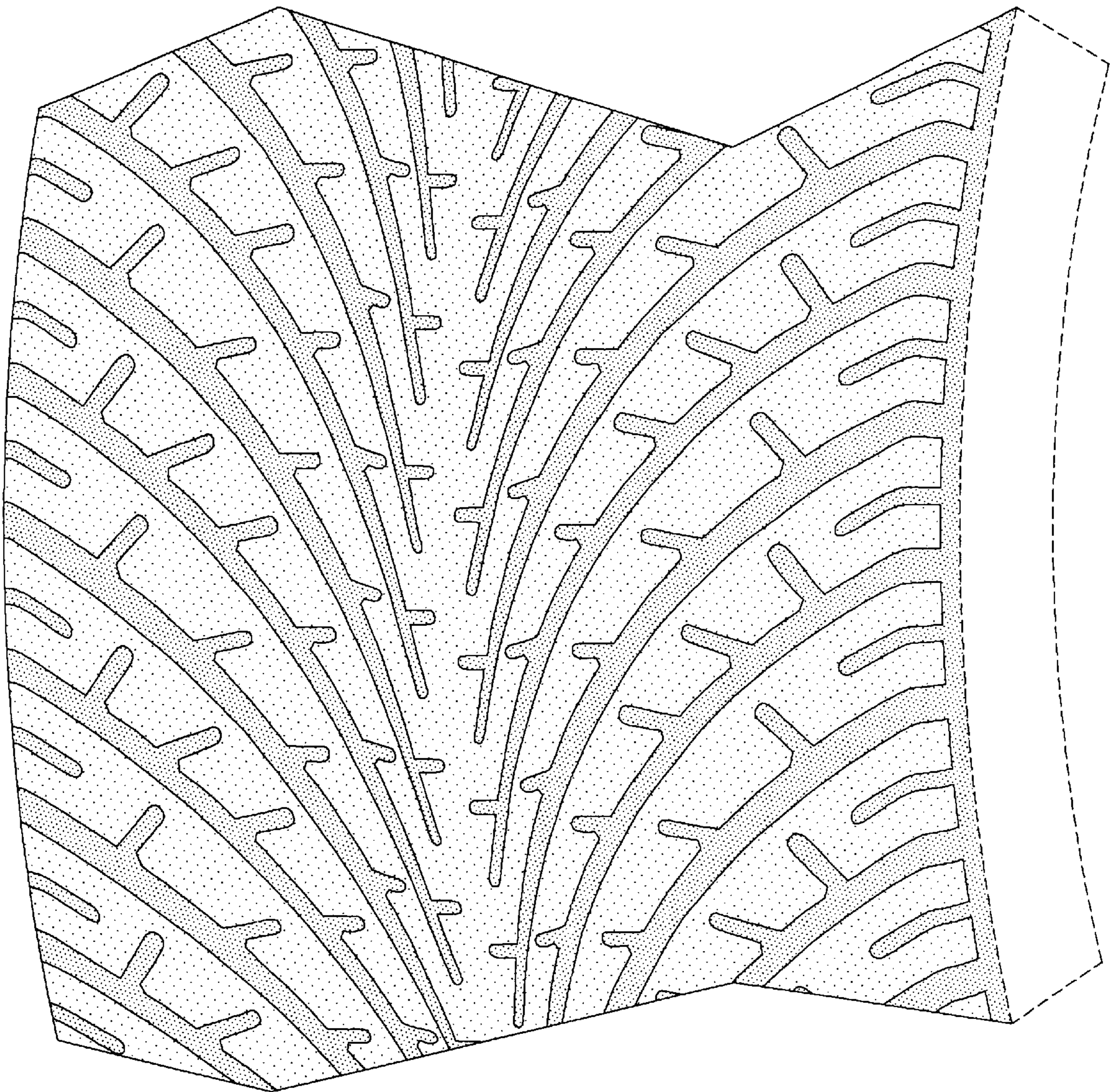


FIG-4