



US00D469049S

(12) **United States Design Patent**  
**Kataoka**

(10) **Patent No.:** **US D469,049 S**

(45) **Date of Patent:** **\*\* Jan. 21, 2003**

(54) **AUTOMOTIVE WHEEL**

(75) **Inventor:** **Tatsuya Kataoka, Ota Gunma (JP)**

(73) **Assignee:** **Kaizer Motorsports Co., Carson, CA (US)**

(\*\*) **Term:** **14 Years**

(21) **Appl. No.:** **29/158,139**

(22) **Filed:** **Apr. 1, 2002**

(51) **LOC (7) Cl.** ..... **12-16**

(52) **U.S. Cl.** ..... **D12/209**

(58) **Field of Search** ..... **D12/204-211;**  
**301/37.101, 64.101, 65**

D454,824 S	*	3/2002	McMath	.....	D12/209
D455,387 S	*	4/2002	McMath	.....	D12/209
D458,203 S	*	6/2002	Kataoka	.....	D12/209
D458,204 S	*	6/2002	Kataoka	.....	D12/209
D458,572 S	*	6/2002	Fitzgerald	.....	D12/209
D458,887 S	*	6/2002	Kataoka	.....	D12/209
D460,037 S	*	7/2002	Takechi	.....	D12/211
D460,729 S	*	7/2002	Khan	.....	D12/209

\* cited by examiner

*Primary Examiner*—Stacia Cadmus

(74) *Attorney, Agent, or Firm*—G. Donald Weber, Jr.

(57) **CLAIM**

The ornamental design for an automotive wheel, as shown and described.

**DESCRIPTION**

FIG. 1 is a perspective view of the automotive wheel of the instant invention; and,

FIG. 2 is a side elevational view of the automotive wheel of the instant invention.

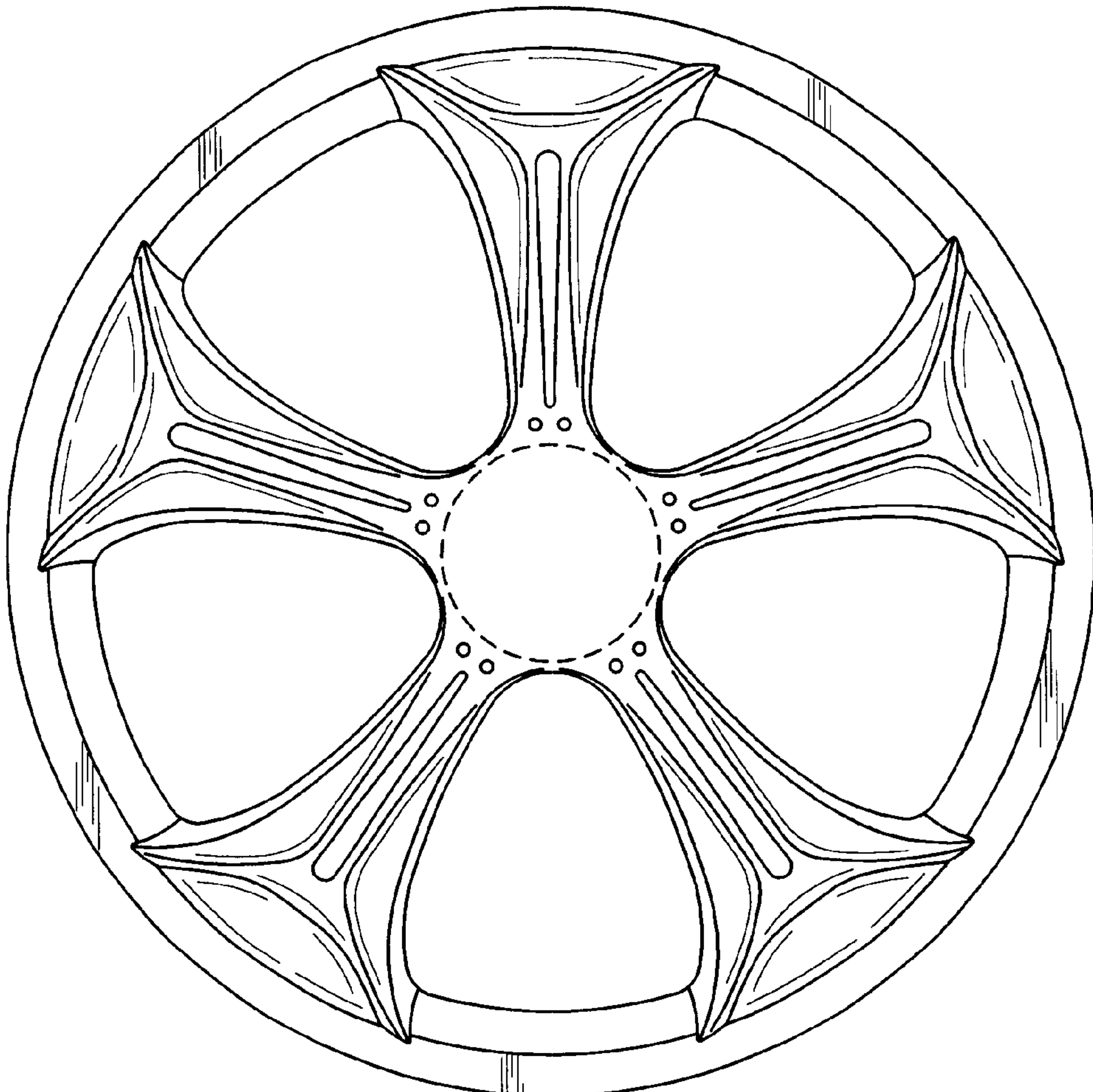
The broken line showing of environment is for illustrative purposes only and forms no part of the claimed design.

(56) **References Cited**

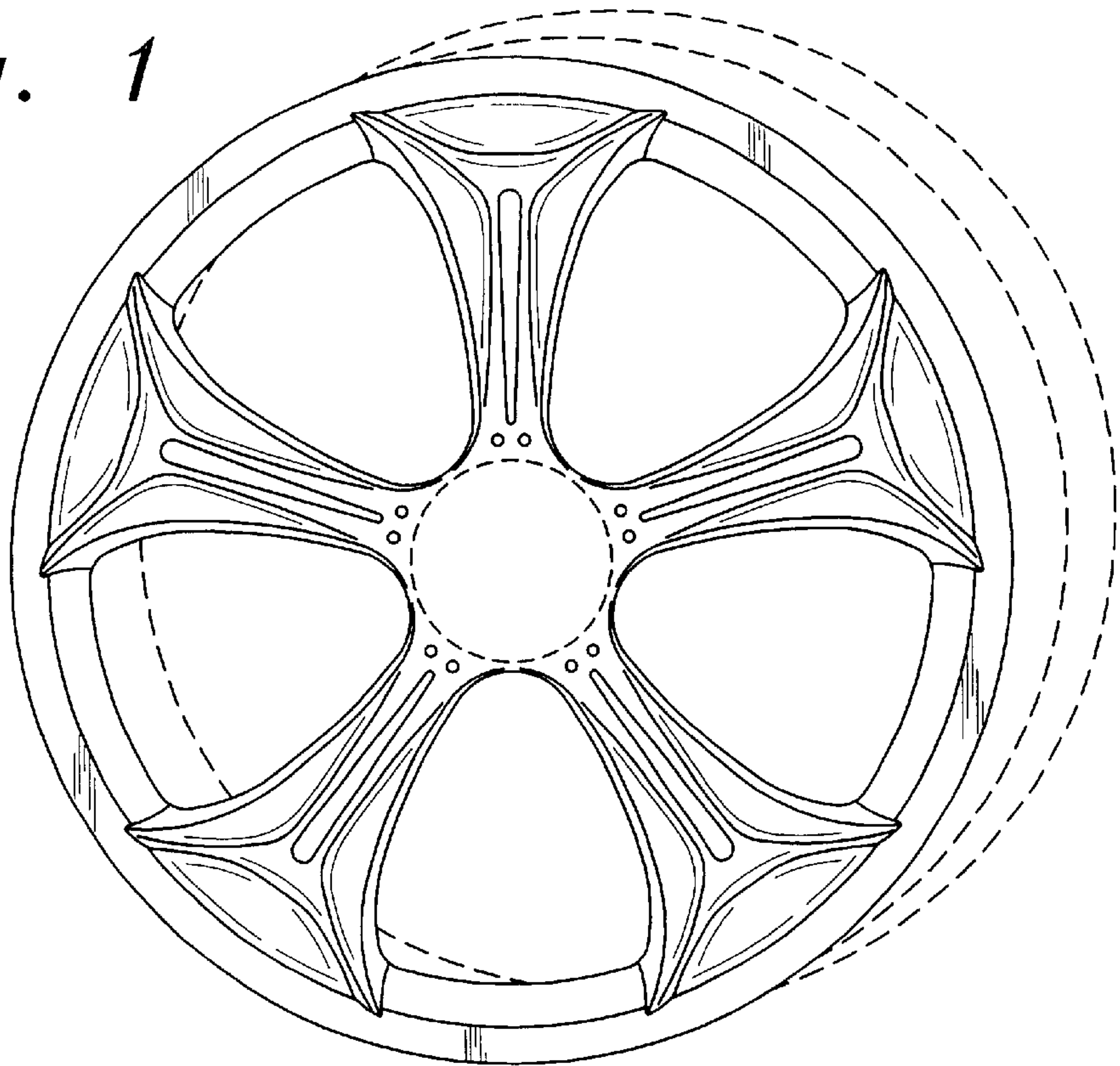
**U.S. PATENT DOCUMENTS**

D403,288 S	*	12/1998	Cullen	.....	D12/209
D408,345 S	*	4/1999	Cullen	.....	D12/209
D416,845 S	*	11/1999	Frueh	.....	D12/209
D448,714 S	*	10/2001	Pusdesris et al.	.....	D12/211
D451,464 S	*	12/2001	Bernoni	.....	D12/209
D453,722 S	*	2/2002	Fitzgerald	.....	D12/209

**1 Claim, 1 Drawing Sheet**



*Fig. 1*



*Fig. 2*

