



US00D469048S

(12) **United States Design Patent**  
**van Hooydonk**

(10) **Patent No.:** **US D469,048 S**

(45) **Date of Patent:** **\*\* Jan. 21, 2003**

(54) **FRONT FACE OF A VEHICLE WHEEL**

(75) Inventor: **Adrian van Hooydonk**, Malibu, CA  
(US)

(73) Assignee: **Bayerische Motoren Werke**  
**Aktiengesellschaft**, Munich (DE)

(\*\*) Term: **14 Years**

(21) Appl. No.: **29/135,009**

(22) Filed: **Jan. 4, 2001**

(30) **Foreign Application Priority Data**

Jul. 4, 2000 (DE) ..... 4 00 06 568

(51) **LOC (7) Cl.** ..... **12-16**

(52) **U.S. Cl.** ..... **D12/209**

(58) **Field of Search** ..... D12/204-211;  
301/37.1, 64.1, 65

(56) **References Cited**

**U.S. PATENT DOCUMENTS**

D361,547 S	*	8/1995	Weld	.....	D12/211
D368,885 S	*	4/1996	Wagner	.....	D12/209
D379,612 S	*	6/1997	Honarkhah	.....	D12/209
D380,432 S	*	7/1997	Hettler	.....	D12/209
D391,543 S	*	3/1998	Renkert	.....	D12/209
D398,573 S	*	9/1998	Cattaneo	.....	D12/211
D402,952 S	*	12/1998	Sycha	.....	D12/211
D403,289 S	*	12/1998	Watanabe	.....	D12/209
D407,364 S	*	3/1999	Fisker	.....	D12/209
D412,692 S	*	8/1999	Hussaini	.....	D12/209
D421,417 S	*	3/2000	Weidhase	.....	D12/209
D422,258 S	*	4/2000	Hale, Jr.	.....	D12/211

D426,184 S		6/2000	Goplen	.....	D12/209
D427,555 S	*	7/2000	Hall	.....	D12/209
D431,514 S	*	10/2000	Cullen	.....	D12/209
D452,839 S	*	1/2001	Muth et al.	.....	D12/209
D437,821 S	*	2/2001	Frohlich	.....	D12/211
D449,028 S	*	10/2001	Weidhase	.....	D12/209
D450,647 S	*	11/2001	Pfeiffer	.....	D12/211
D452,211 S	*	12/2001	Takechi	.....	D12/209
D454,105 S	*	3/2002	Pfeiffer	.....	D12/209
D455,993 S	*	4/2002	Ayoub et al.	.....	D12/211
D458,571 S	*	6/2002	Maifrini	.....	D12/209
D458,572 S	*	6/2002	Fitzgerald	.....	D12/209
D460,037 S	*	7/2002	Takechi	.....	D12/211

**FOREIGN PATENT DOCUMENTS**

XH	DM/049334	9/1999	.....	12/16
XH	DM/051076	3/2000	.....	12/16

\* cited by examiner

*Primary Examiner*—Stacia Cadmus

(74) *Attorney, Agent, or Firm*—Crowell & Moring LLP

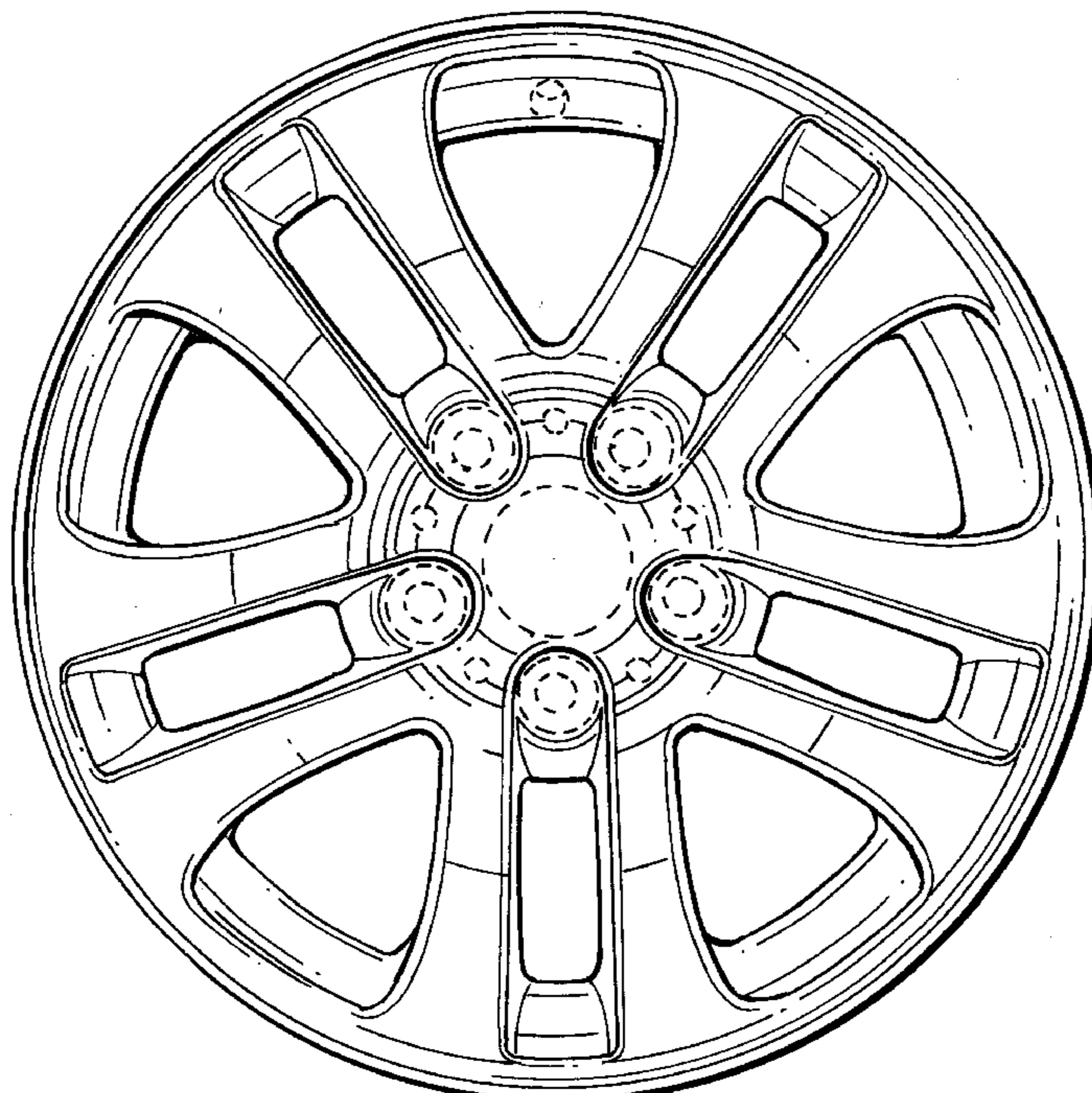
(57) **CLAIM**

The ornamental design for a front face of a vehicle wheel, as shown and described.

**DESCRIPTION**

FIG. 1 is a front view of a front face of a vehicle wheel according to my novel design; and,  
FIG. 2 is a perspective view of the front face of a vehicle wheel according to my novel design.  
The dash lines included depict environment and are not part of the claimed design.

**1 Claim, 1 Drawing Sheet**



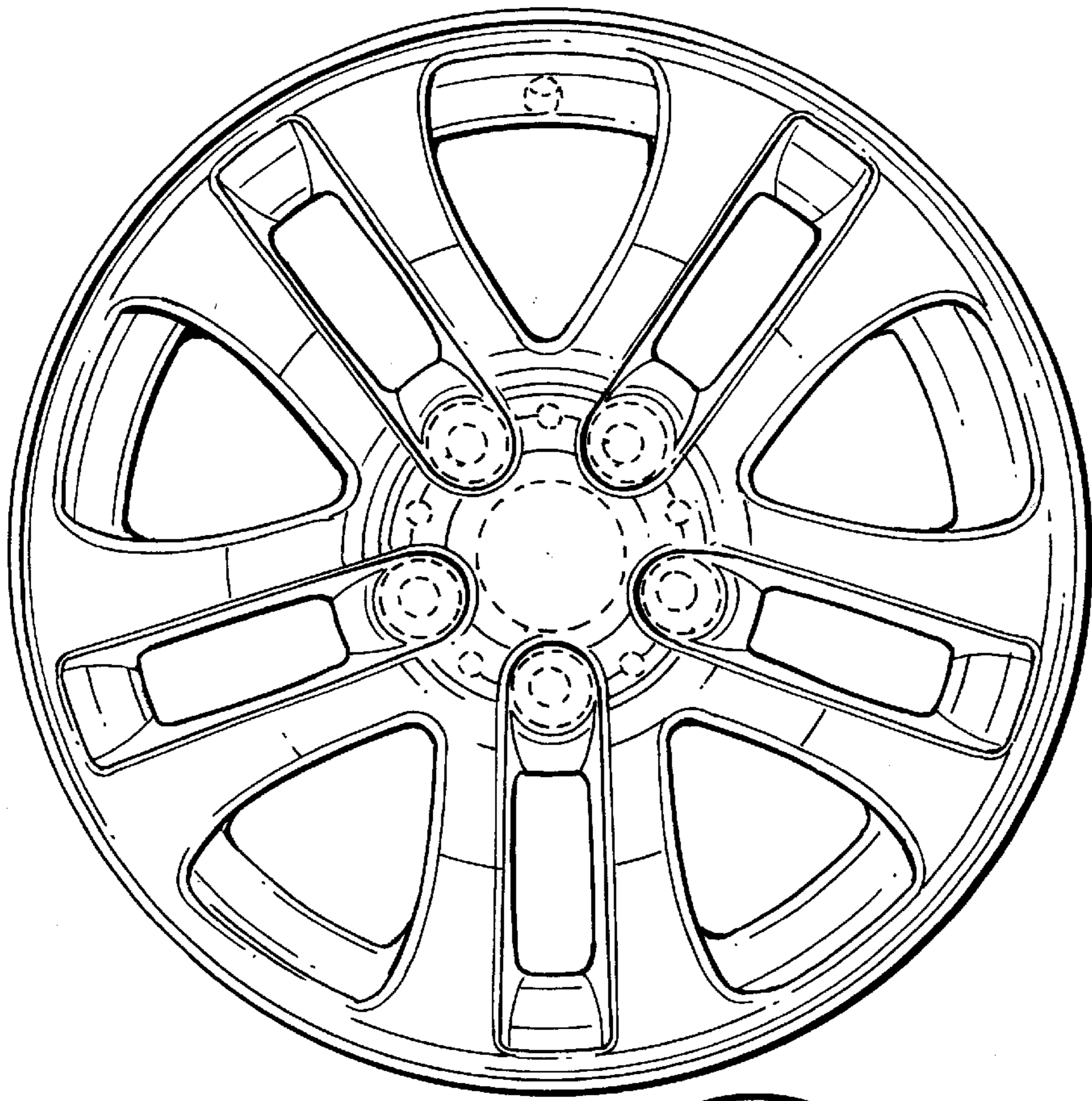


FIG. 1

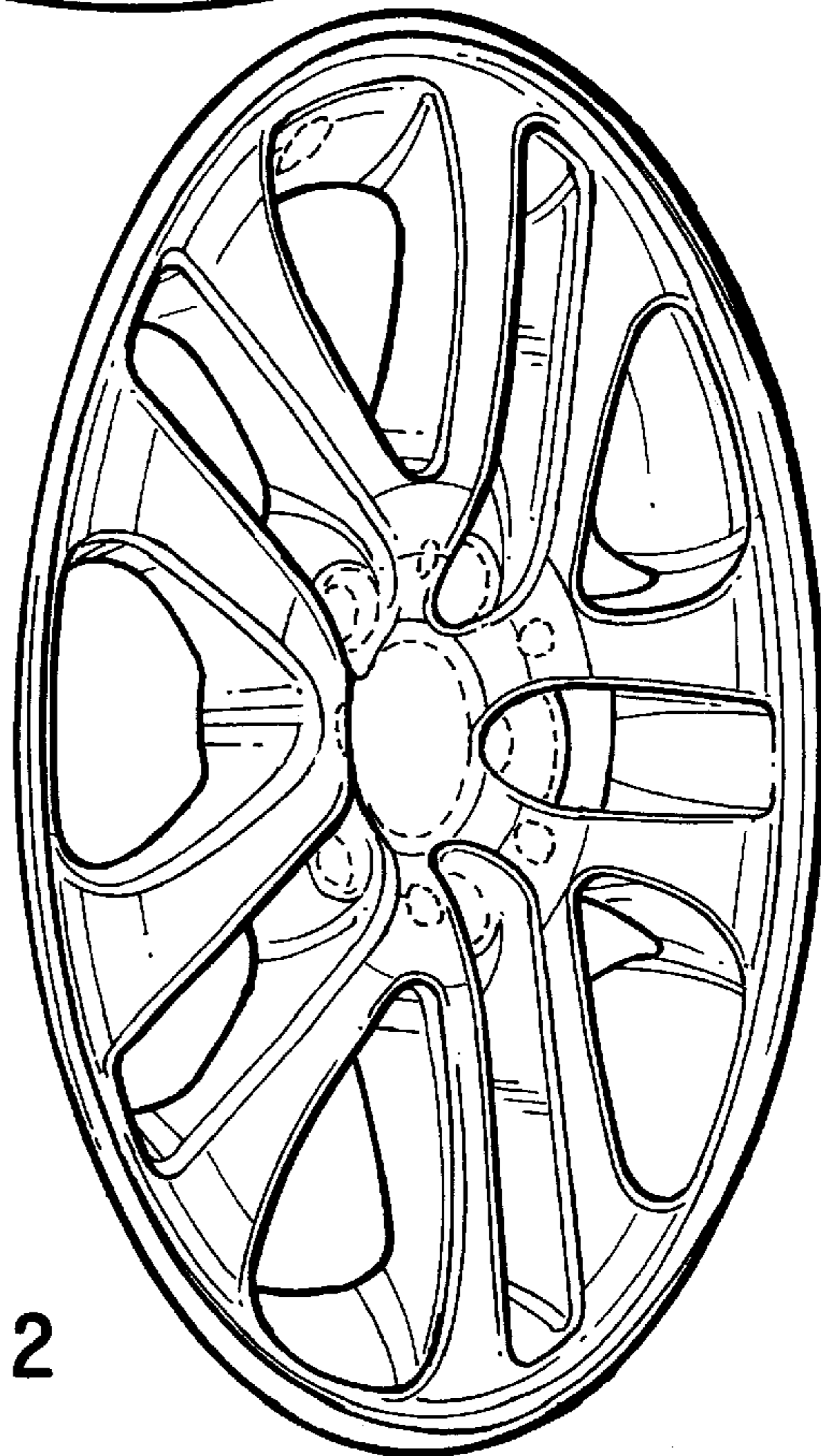


FIG. 2