



US00D469044S

(12) **United States Design Patent**
Ohm et al.

(10) **Patent No.:** **US D469,044 S**
(45) **Date of Patent:** **** Jan. 21, 2003**

(54) **LICENSE PLATE FRAME**

(75) Inventors: **Patrick L. Ohm**, Mesa, AZ (US);
Elizabeth Ann Redfearne, Cave Creek,
AZ (US)

(73) Assignee: **Bell Automotive Products, Inc.**,
Scottsdale, AZ (US)

(**) Term: **14 Years**

(21) Appl. No.: **29/160,724**

(22) Filed: **May 15, 2002**

(51) **LOC (7) Cl.** **12-16**

(52) **U.S. Cl.** **D12/193**

(58) **Field of Search** D12/193; D6/300-303,
D6/310-314; 40/200-203, 207-216

(56) **References Cited**

U.S. PATENT DOCUMENTS

D59,726 S	*	11/1921	Ellis	D12/193
D105,000 S	*	6/1937	Duryea	D12/193
D106,718 S	*	10/1937	Carlson	D12/193
D123,317 S	*	10/1940	West	D12/193
2,765,553 A		10/1956	Audette	40/125
D219,774 S	*	1/1971	Cox	D12/193
D331,217 S		11/1992	Spencer	D12/193
D331,903 S		12/1992	Lan	D12/193
D335,117 S		4/1993	Spencer	D12/193

D348,425 S		7/1994	Leu	D12/193
D365,077 S	*	12/1995	Lee	D12/193
D366,236 S	*	1/1996	Chu	D12/193
D385,244 S		10/1997	Spencer	D12/193
D397,075 S		8/1998	Spencer	D12/193
D402,610 S	*	12/1998	Spencer	D12/193
D424,003 S	*	5/2000	Steinhagen	D12/193
D428,843 S	*	8/2000	Steinhagen	D12/193
D440,928 S		4/2001	Hussaini et al.	D12/193
D441,334 S		5/2001	Hussaini et al.	D12/193
D441,335 S		5/2001	Hussaini et al.	D12/193
D442,130 S		5/2001	Hussaini et al.	D12/193

* cited by examiner

Primary Examiner—Stacia Cadmus

(74) *Attorney, Agent, or Firm*—Greenberg Traurig, P.C.

(57) **CLAIM**

The ornamental design for a license plate frame, as shown.

DESCRIPTION

FIG. 1 is a perspective view of the new license plate frame ornamental design;

FIG. 2 is a front plan view;

FIG. 3 is a bottom elevational view;

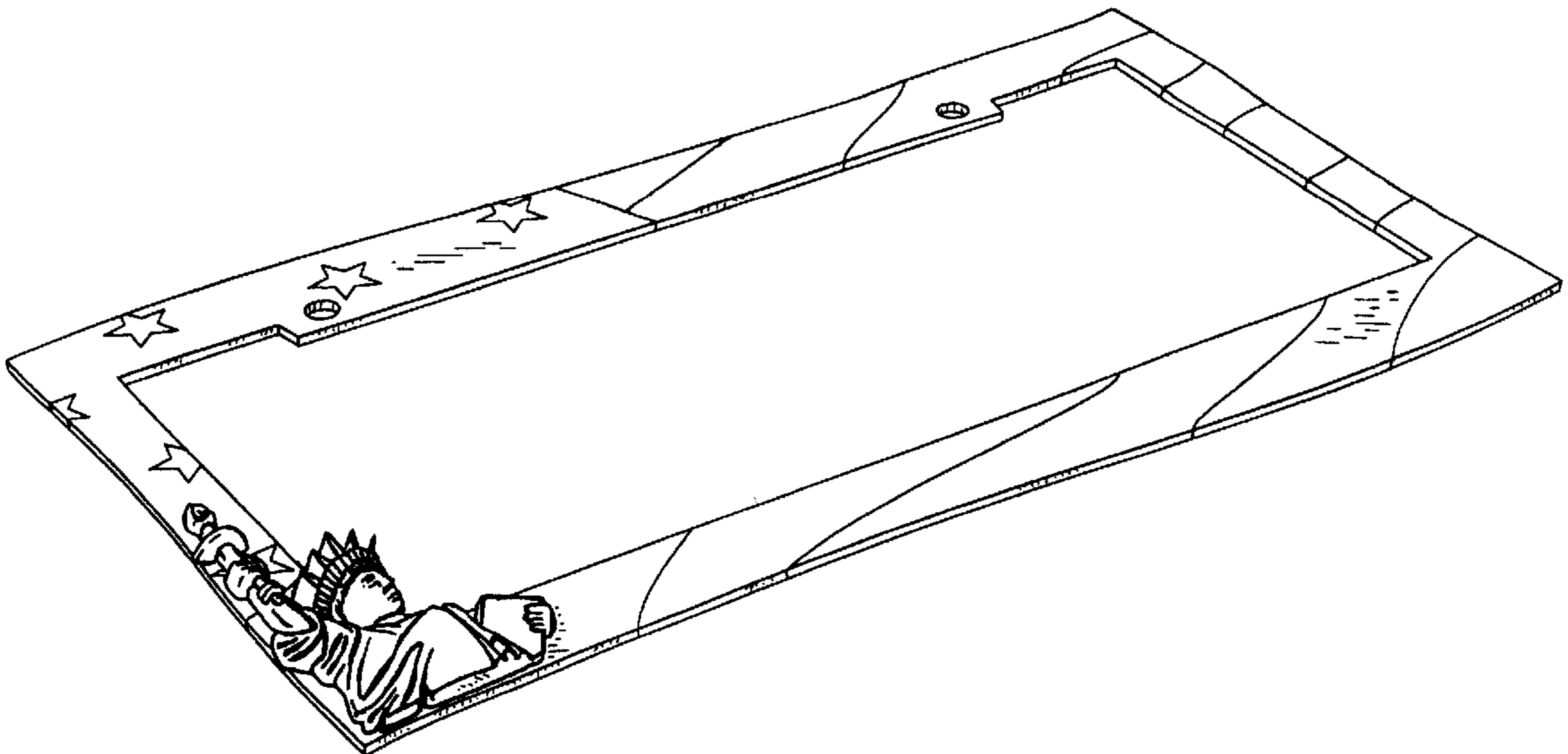
FIG. 4 is a right side elevational view;

FIG. 5 is a top elevational view;

FIG. 6 is a left side elevational view; and,

FIG. 7 is a rear plan view.

1 Claim, 3 Drawing Sheets



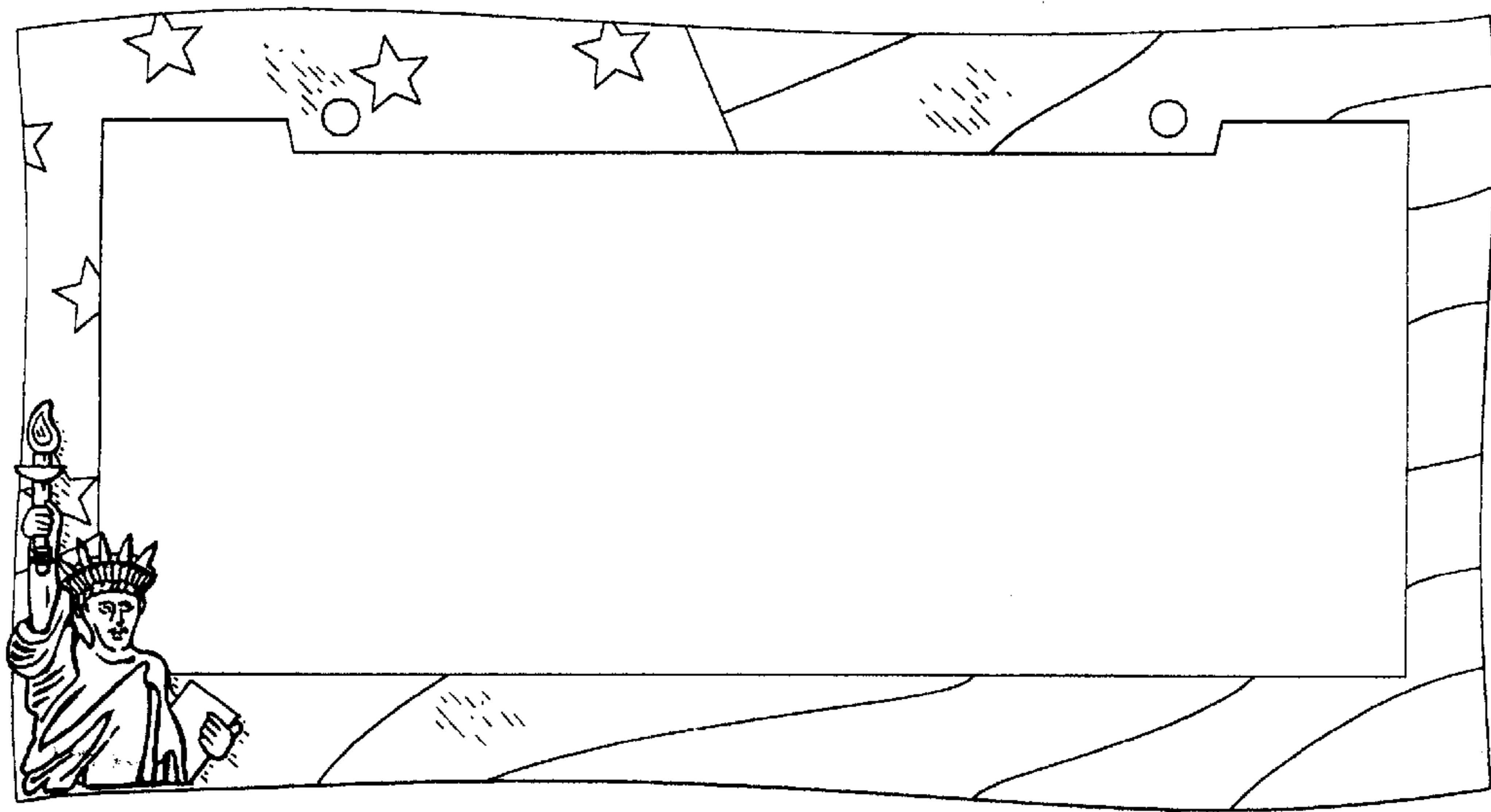
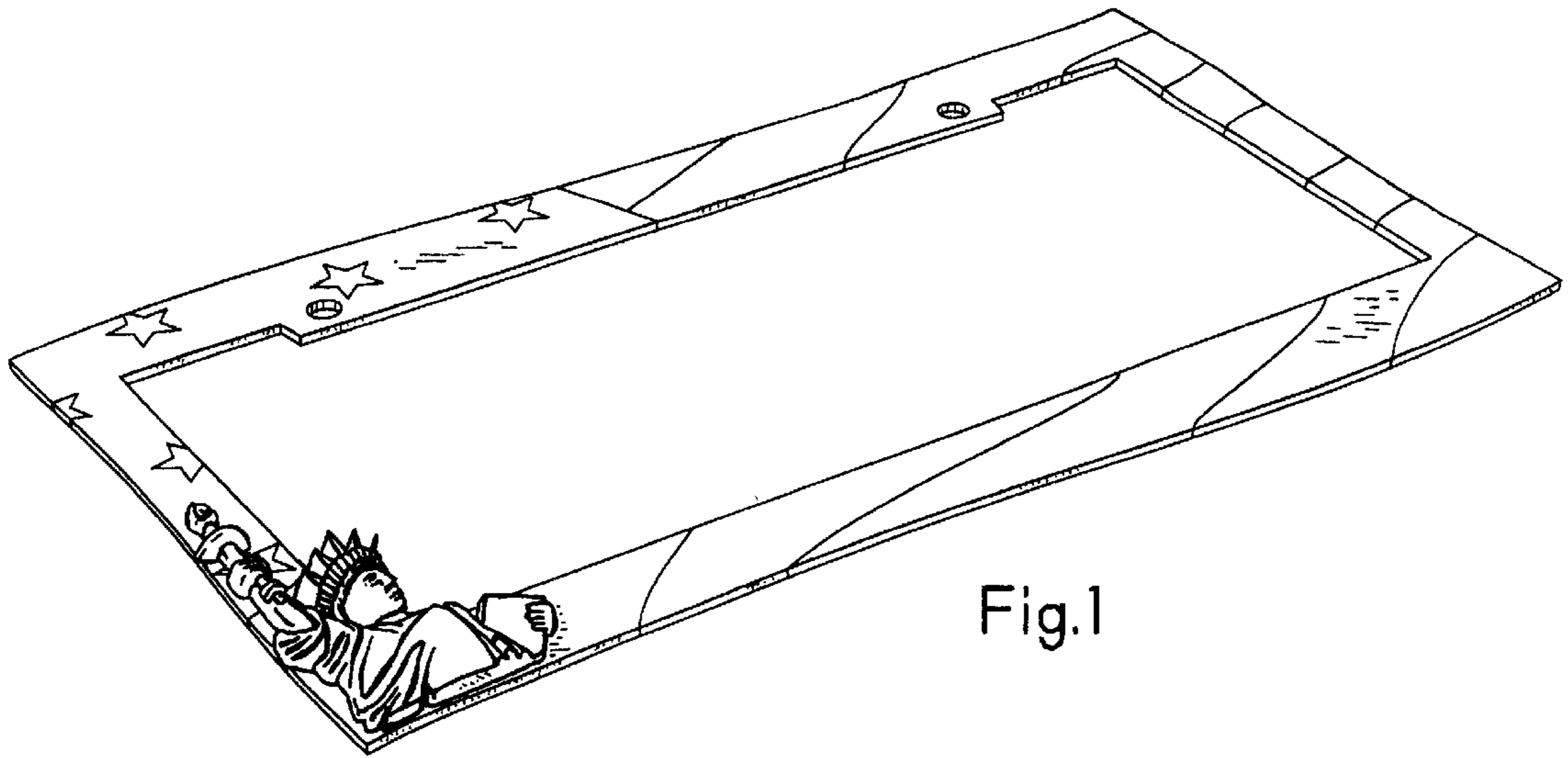


Fig. 2

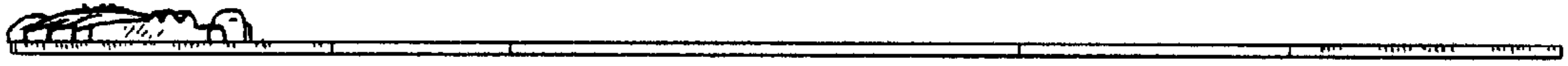


Fig. 3



Fig. 4



Fig. 5



Fig. 6

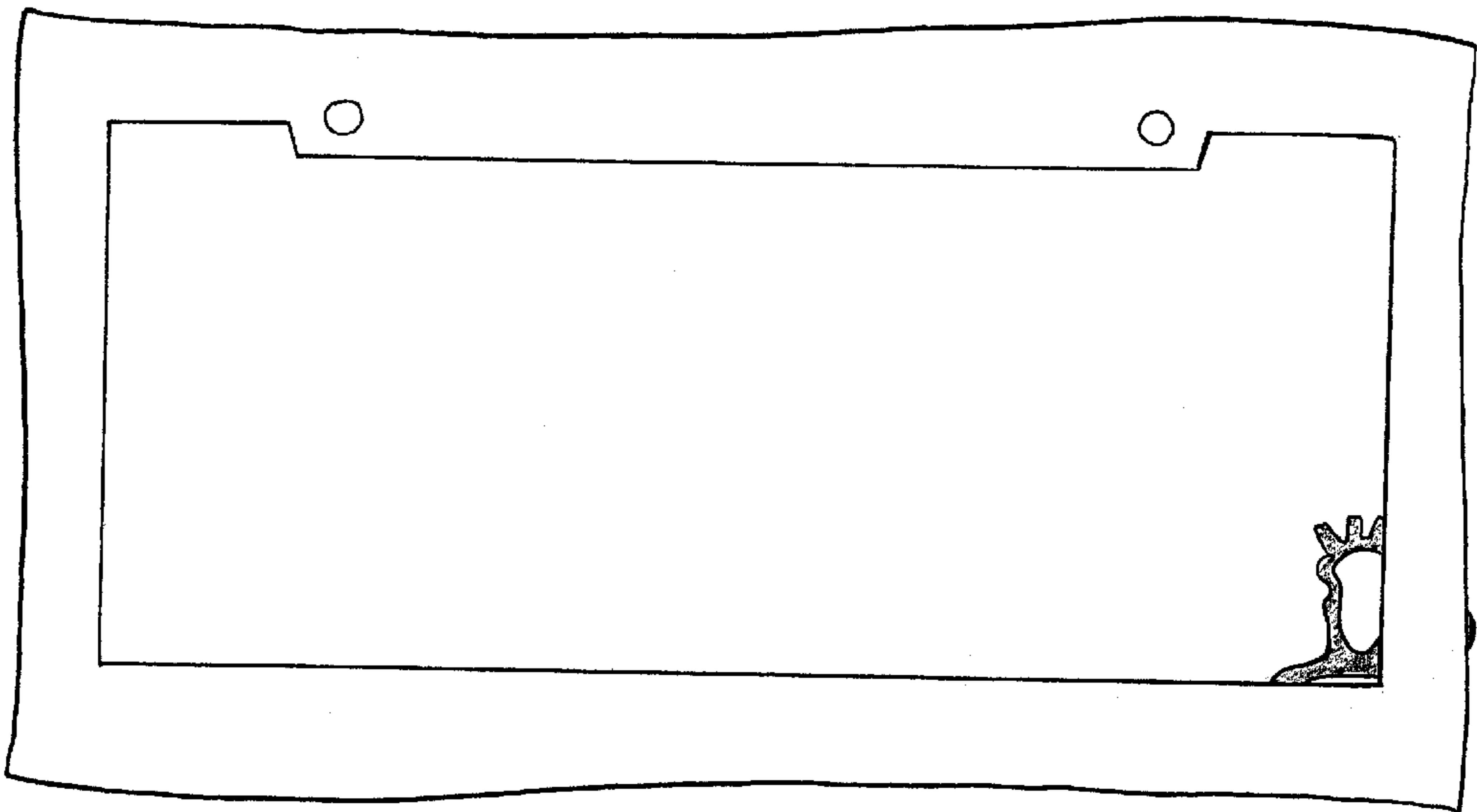


Fig. 7