



US00D469043S

(12) **United States Design Patent**  
**Ohm**

(10) **Patent No.:** **US D469,043 S**

(45) **Date of Patent:** **\*\* Jan. 21, 2003**

- (54) **LICENSE PLATE FRAME**
- (75) Inventor: **Patrick L. Ohm**, Mesa, AZ (US)
- (73) Assignee: **Bell Automotive Products, Inc.**,  
Scottsdale, AZ (US)
- (\*\*) Term: **14 Years**
- (21) Appl. No.: **29/160,702**
- (22) Filed: **May 15, 2002**
- (51) **LOC (7) Cl.** ..... **12-16**
- (52) **U.S. Cl.** ..... **D12/193**
- (58) **Field of Search** ..... D12/193; D6/300-303,  
D6/310-314; 40/200-203, 207-216

D377,926 S	2/1997	Khefets	.....	D12/193
D378,251 S	3/1997	Levin	.....	D6/300
D385,244 S	10/1997	Spencer	.....	D12/193
D397,075 S	8/1998	Spencer	.....	D12/193
D441,335 S	5/2001	Hussaini et al.	.....	D12/193
D442,130 S	5/2001	Hussaini et al.	.....	D12/193
D453,491 S	* 2/2002	Schmitz	.....	D12/193

\* cited by examiner

*Primary Examiner*—Stacia Cadmus

(74) *Attorney, Agent, or Firm*—Greenberg Traurig, P.C.

(57) **CLAIM**

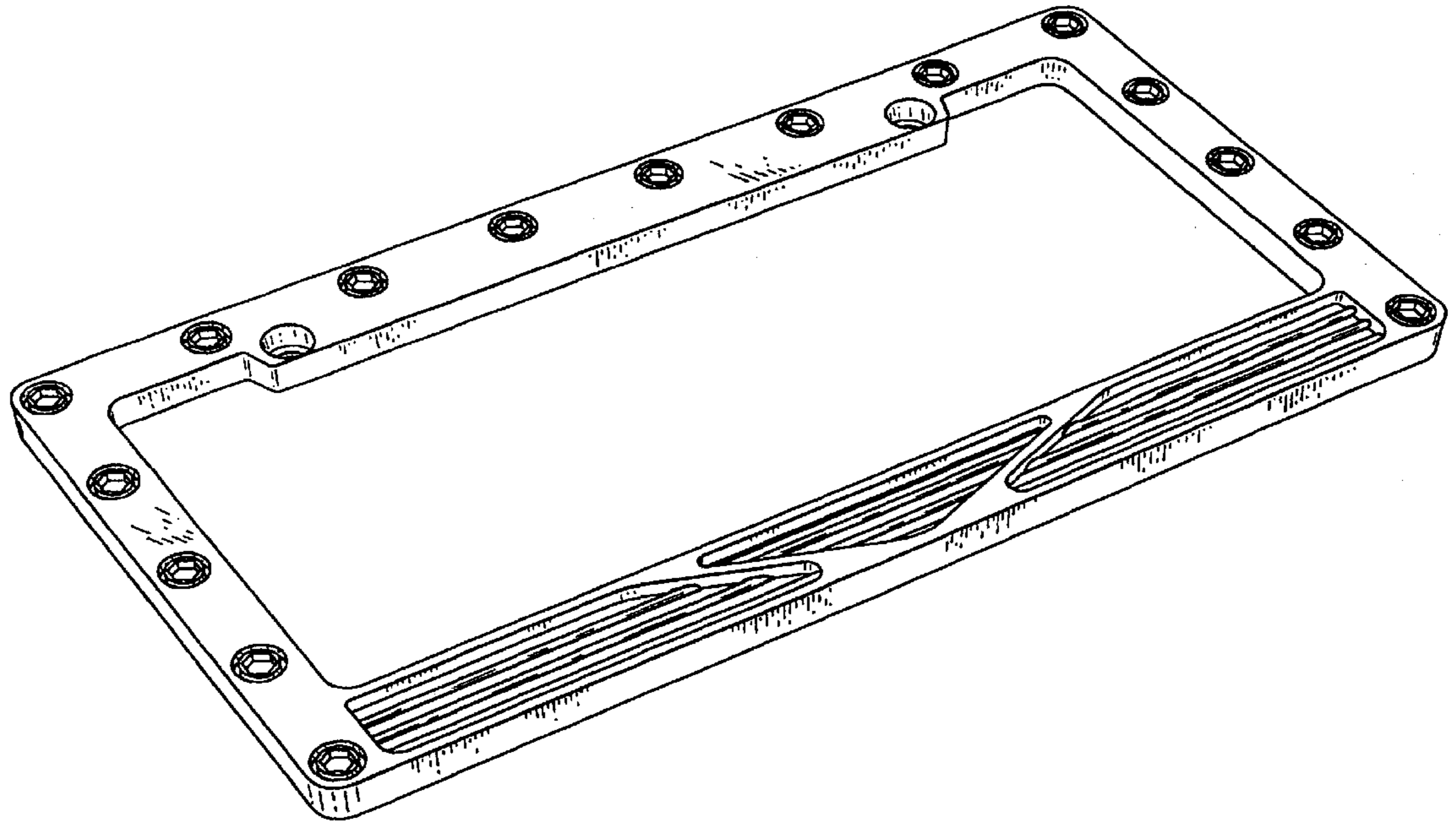
The ornamental design for a license plate frame, as shown.

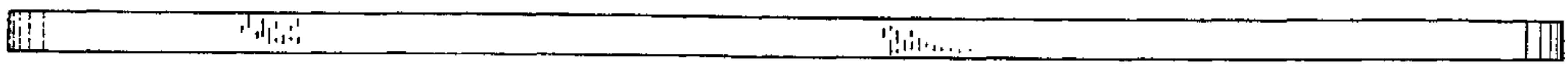
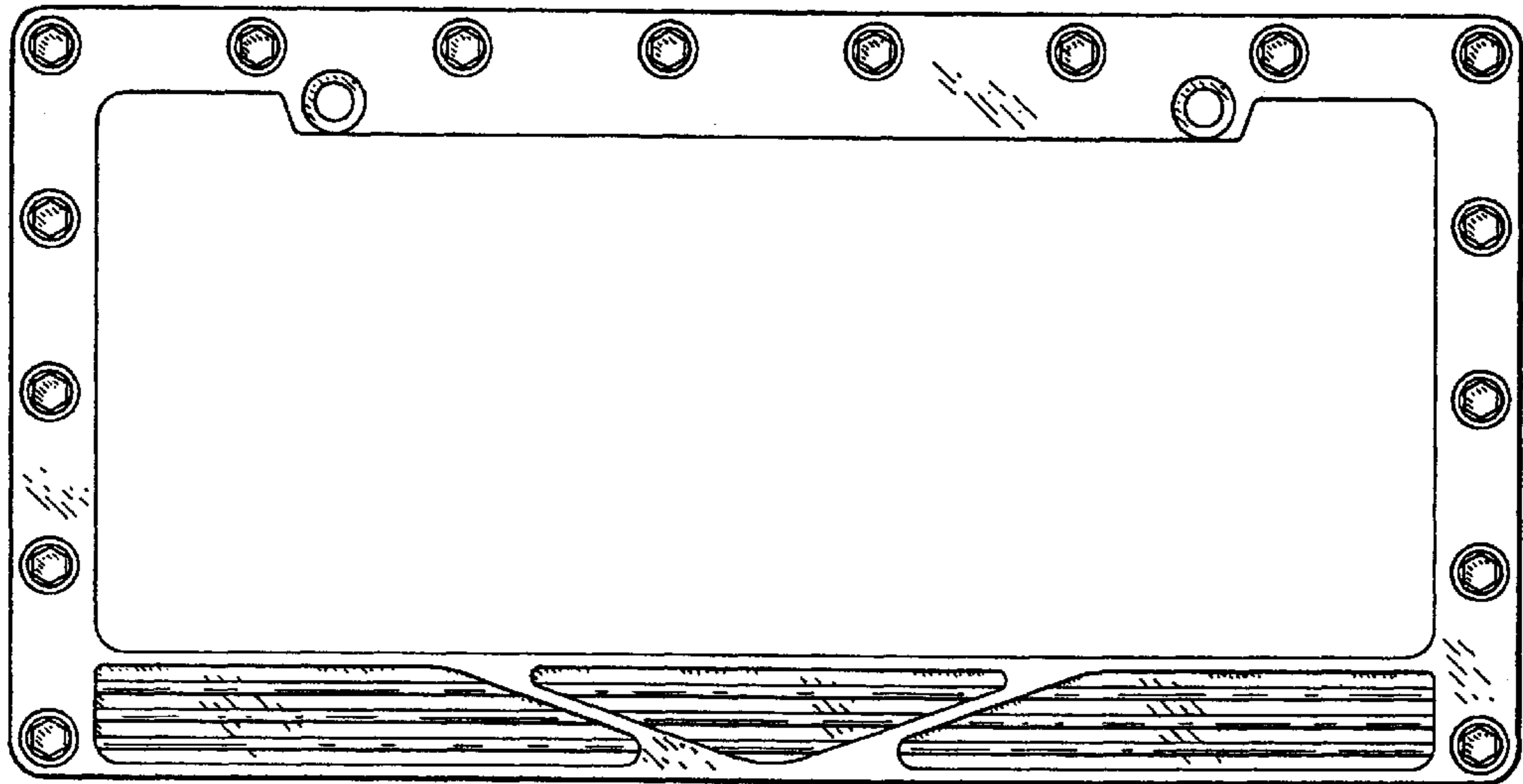
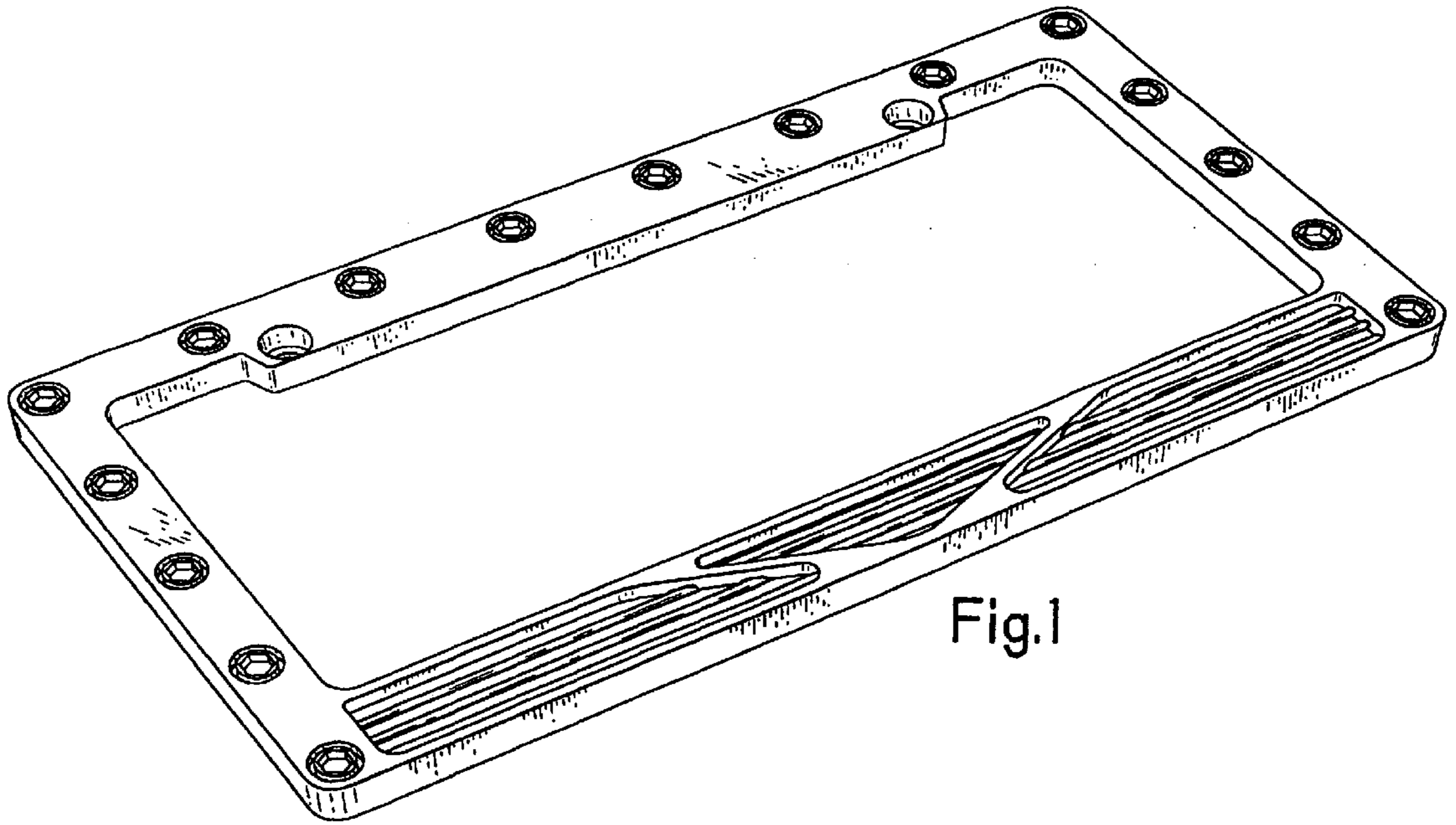
**DESCRIPTION**

FIG. 1 is a perspective view of the new license plate frame, ornamental design;  
 FIG. 2 is a front plan view;  
 FIG. 3 is a bottom elevational view;  
 FIG. 4 is a right side elevational view;  
 FIG. 5 is a top elevational view;  
 FIG. 6 is a left side elevational view; and,  
 FIG. 7 is a rear plan view.

- (56) **References Cited**
- U.S. PATENT DOCUMENTS**
- 2,765,553 A 10/1956 Audette ..... 40/125
- D331,217 S 11/1992 Spencer ..... D12/193
- D335,117 S 4/1993 Spencer ..... D12/193
- D346,578 S 5/1994 Corey ..... D12/193
- D368,692 S 4/1996 Pribble, Sr. et al. .... D12/193
- D375,072 S 10/1996 Chiou ..... D12/193

**1 Claim, 2 Drawing Sheets**





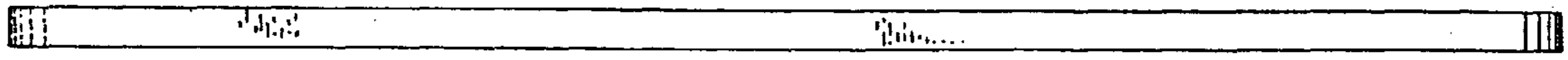


Fig. 5



Fig. 6

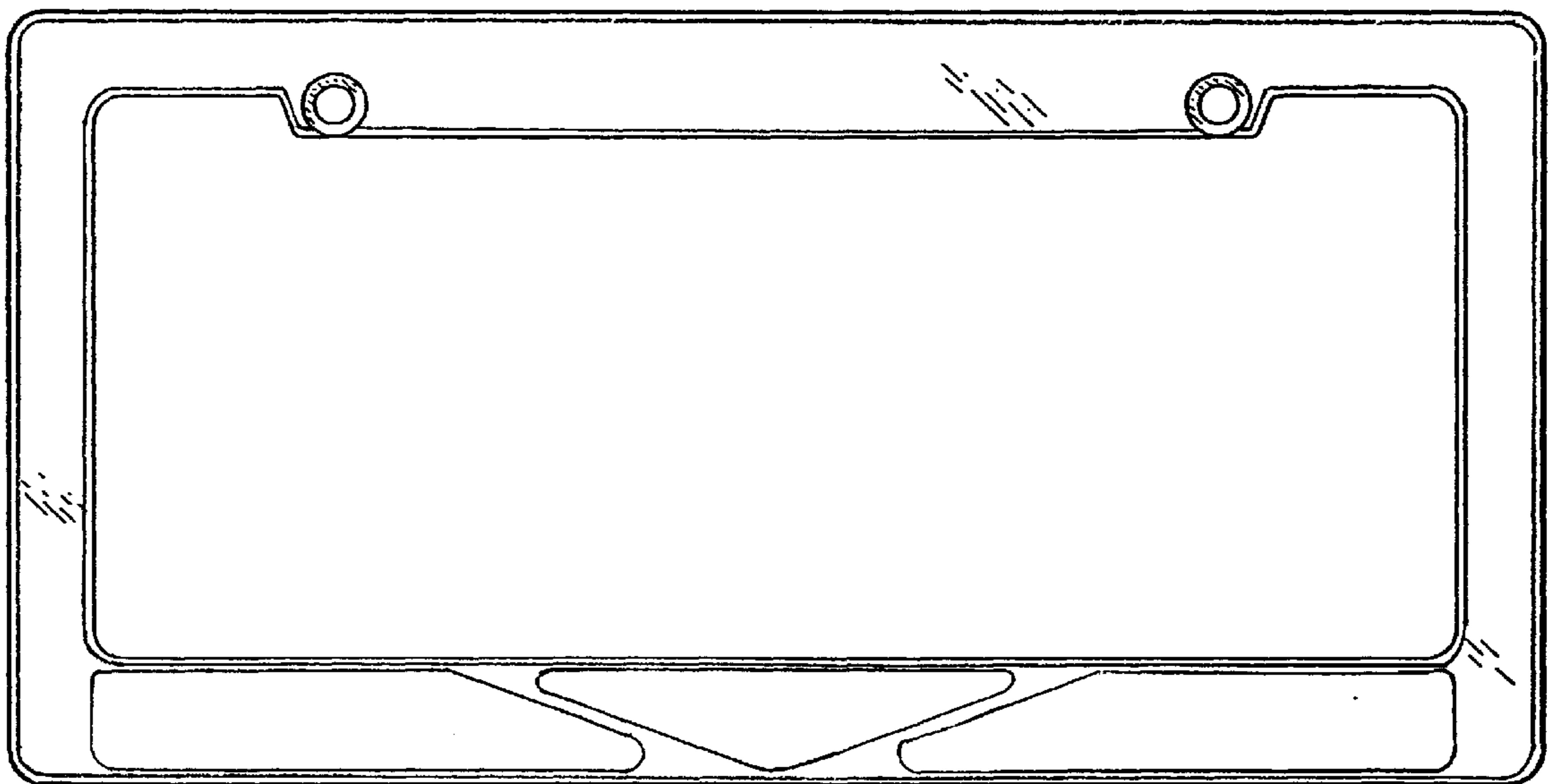


Fig. 7