



US00D469042S

(12) **United States Design Patent**
Ohm

(10) **Patent No.:** **US D469,042 S**

(45) **Date of Patent:** **** Jan. 21, 2003**

- (54) **LICENSE PLATE FRAME**
- (75) Inventor: **Patrick L. Ohm**, Mesa, AZ (US)
- (73) Assignee: **Bell Automotive Products, Inc.**,
Scottsdale, AZ (US)
- (**) Term: **14 Years**
- (21) Appl. No.: **29/160,700**
- (22) Filed: **May 15, 2002**
- (51) **LOC (7) Cl.** **12-16**
- (52) **U.S. Cl.** **D12/193**
- (58) **Field of Search** D12/193; D6/300-303,
D6/310-314; 40/200-203, 207-216

D385,244 S	10/1997	Spencer	D12/193	
D397,074 S	*	8/1998	Wang	D12/193
D411,975 S	*	7/1999	Spencer	D12/193
D440,194 S		4/2001	Hussaini et al.	D12/193
D440,928 S		4/2001	Hussaini et al.	D12/193
D442,130 S		5/2001	Hussaini et al.	D12/193
D446,759 S	*	8/2001	Leu	D12/193

* cited by examiner

Primary Examiner—Stacia Cadmus

(74) *Attorney, Agent, or Firm*—Greenberg Traurig, P.C.

(57) **CLAIM**

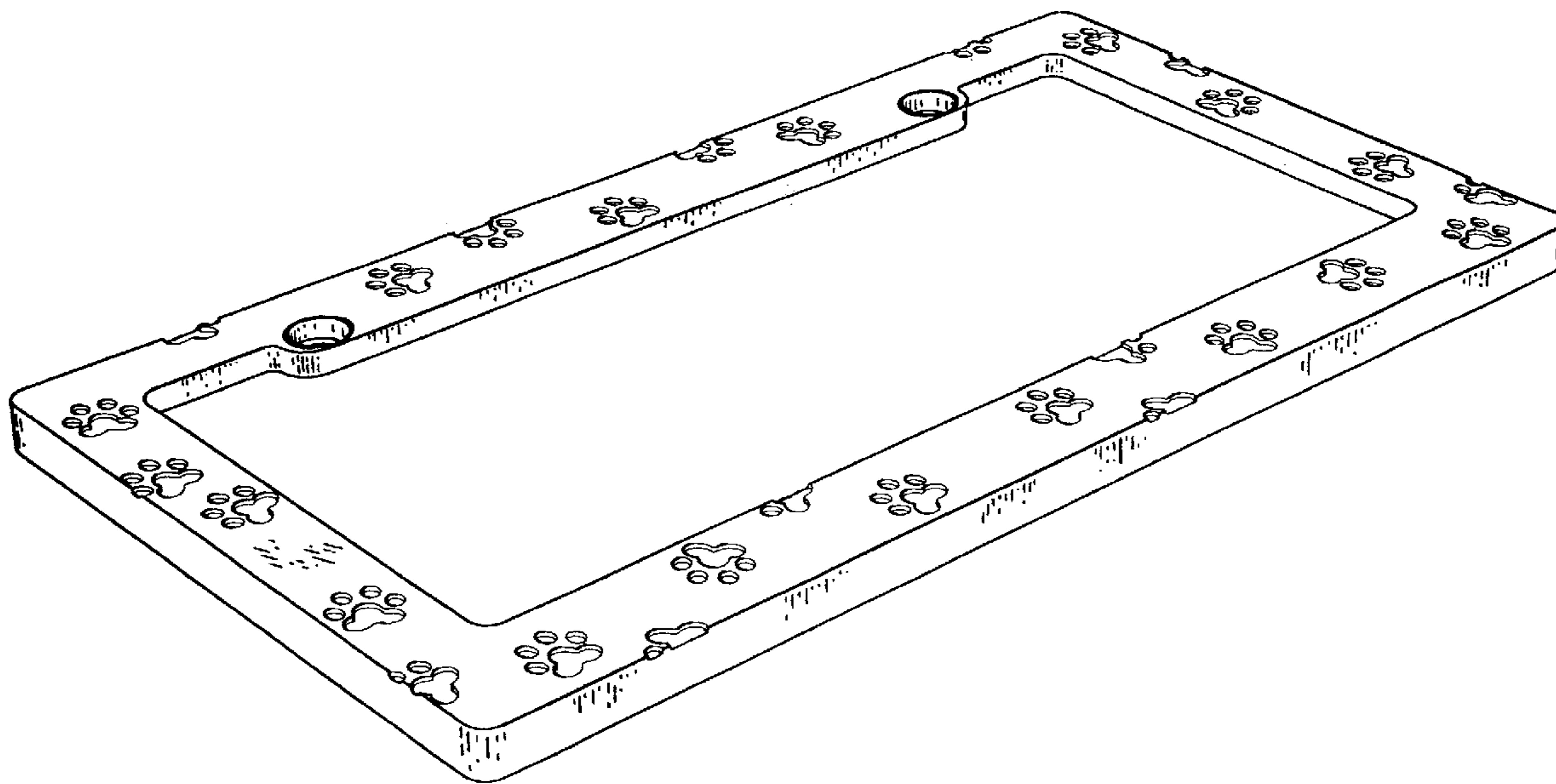
The ornamental design for a license plate frame, as shown.

DESCRIPTION

FIG. 1 is a perspective view of the new license plate frame ornamental design;
 FIG. 2 is a front plan view;
 FIG. 3 is a bottom elevational view;
 FIG. 4 is a right side elevational view;
 FIG. 5 is a top elevational view;
 FIG. 6 is a left side elevational view; and,
 FIG. 7 is a rear plan view.

1 Claim, 3 Drawing Sheets

- (56) **References Cited**
- U.S. PATENT DOCUMENTS**
- D331,217 S 11/1992 Spencer D12/193
- D335,117 S 4/1993 Spencer D12/193
- D346,578 S 5/1994 Corey D12/193
- D368,692 S 4/1996 Pribble, Sr. et al. D12/193
- D377,926 S 2/1997 Kheyfets D12/193
- D378,251 S 3/1997 Levin D6/300
- D379,450 S * 5/1997 Clark et al. D12/193



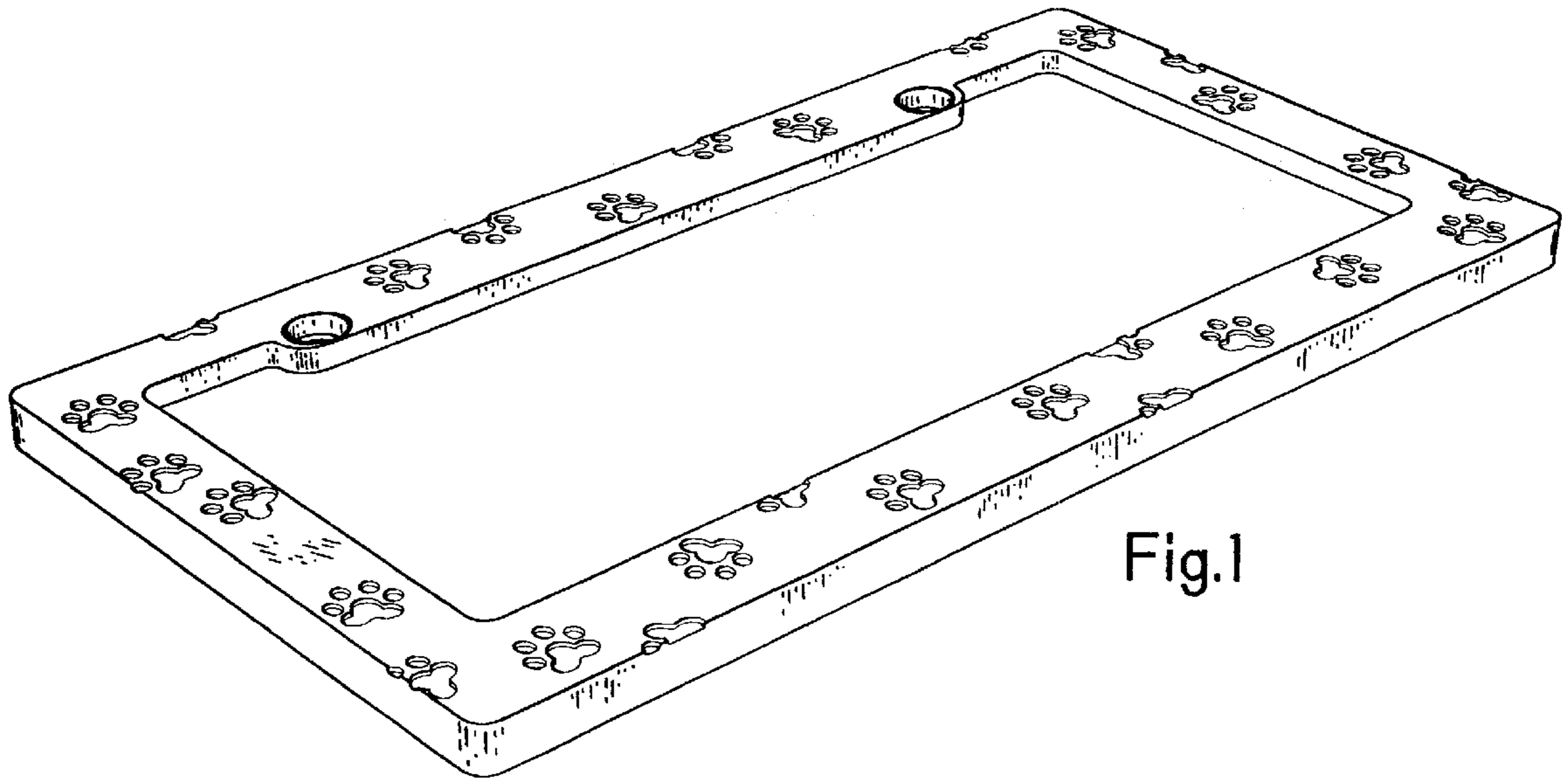


Fig.1

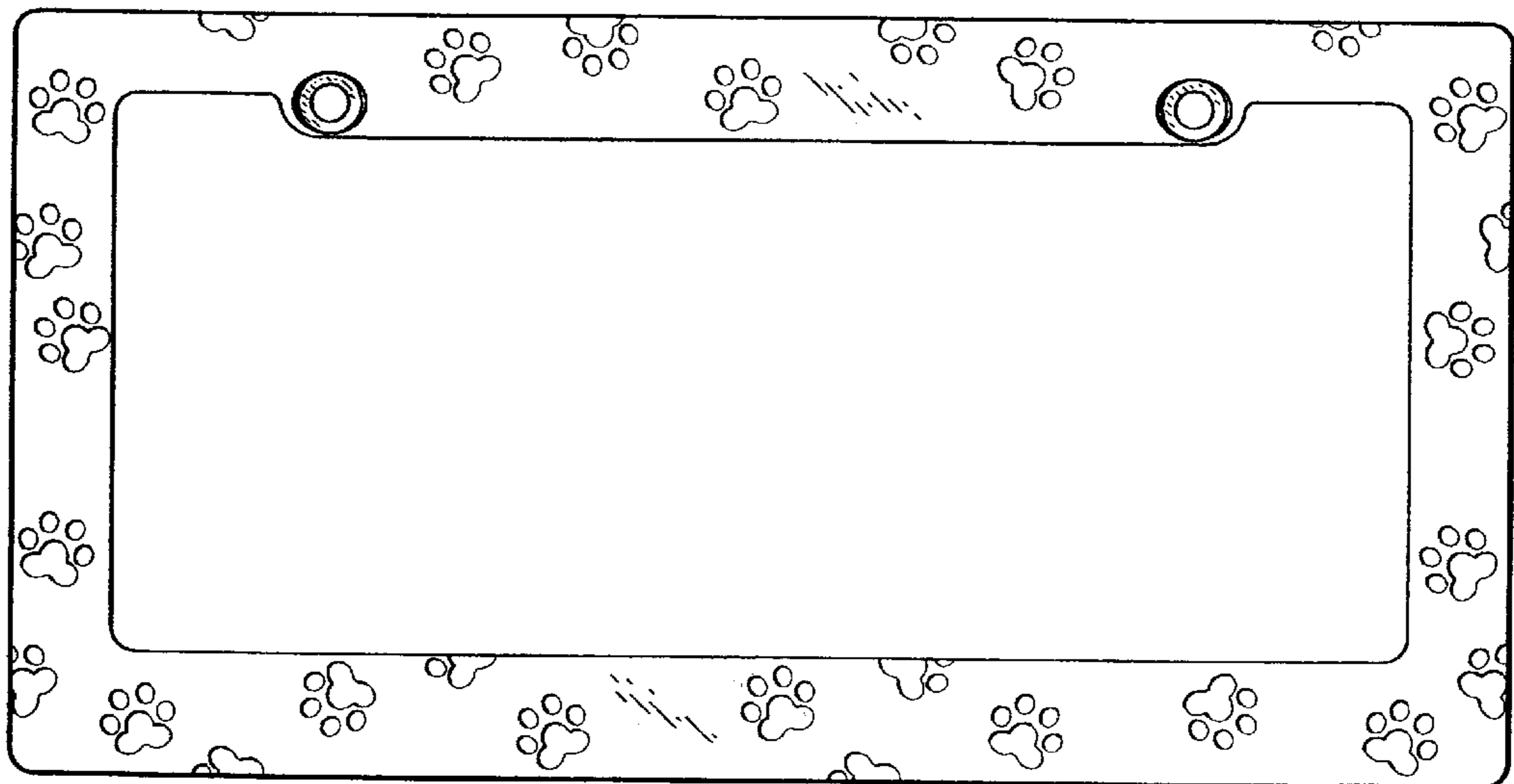


Fig.2

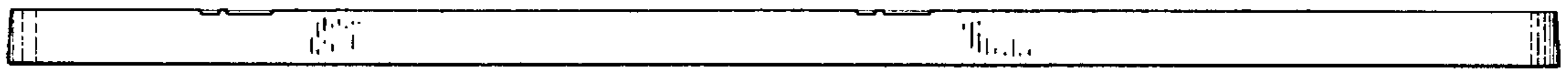


Fig.3

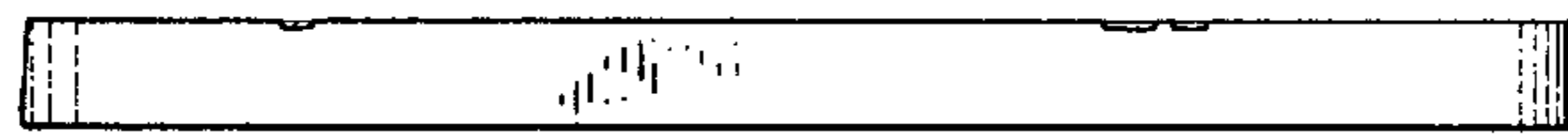


Fig.4



Fig.5

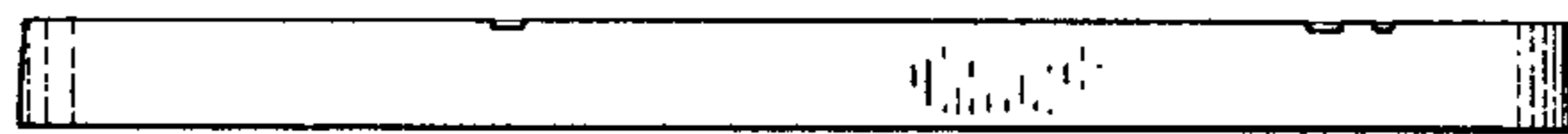


Fig.6

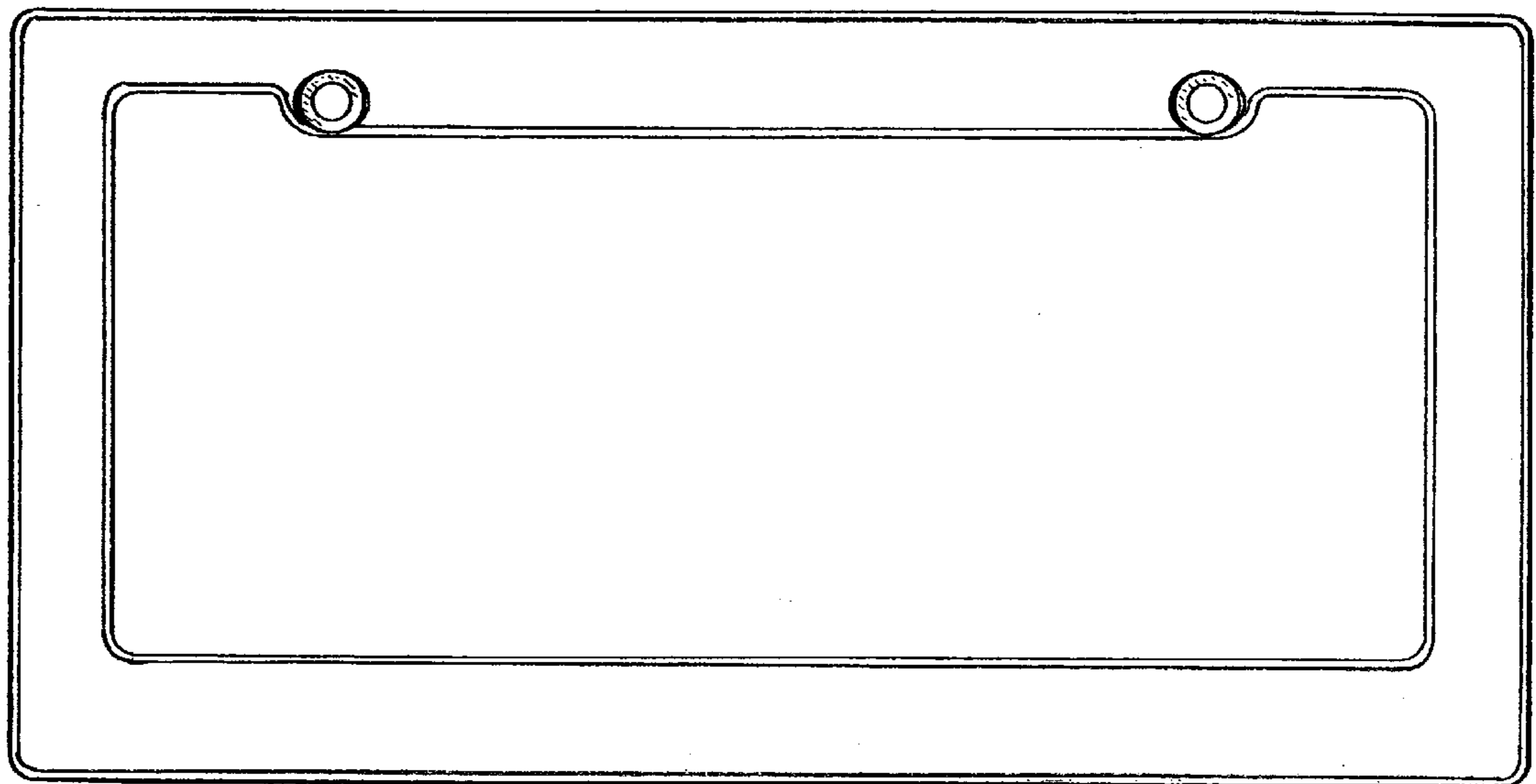


Fig. 7