



US00D469038S

(12) **United States Design Patent**  
**Mattin et al.**

(10) **Patent No.:** **US D469,038 S**

(45) **Date of Patent:** **\*\* Jan. 21, 2003**

(54) **SURFACE CONFIGURATION OF A VEHICLE, TOY AND MISCELLANEOUS CONSUMER PRODUCTS INCORPORATING THE DESIGN**

(75) Inventors: **Stephen Mattin**, Sindelfingen (DE); **Murat Guenak**, Ehningen (DE); **Peter Pfeiffer**, Boeblingen (DE); **Gorden Wagener**, Stuttgart (DE); **Peter Arcadipane**, Sindelfingen (DE)

(73) Assignee: **DaimlerChrysler AG**, Stuttgart (DE)

(\*\*) Term: **14 Years**

(21) Appl. No.: **29/156,323**

(22) Filed: **Feb. 28, 2002**  
(Under 37 CFR 1.47)

(30) **Foreign Application Priority Data**

Aug. 29, 2001 (DE) ..... 4 01 07 636

(51) **LOC (7) Cl.** ..... **12-16**

(52) **U.S. Cl.** ..... **D12/91**

(58) **Field of Search** ..... D12/90-92, 86;  
296/185

(56) **References Cited**

**U.S. PATENT DOCUMENTS**

D436,060 S \* 1/2001 Pfeiffer ..... D12/91  
D439,550 S \* 3/2001 Sacco et al. .... D12/91  
D442,889 S \* 5/2001 Pfeiffer ..... D12/91

\* cited by examiner

*Primary Examiner*—Melody N. Brown  
(74) *Attorney, Agent, or Firm*—Crowell & Moring LLP

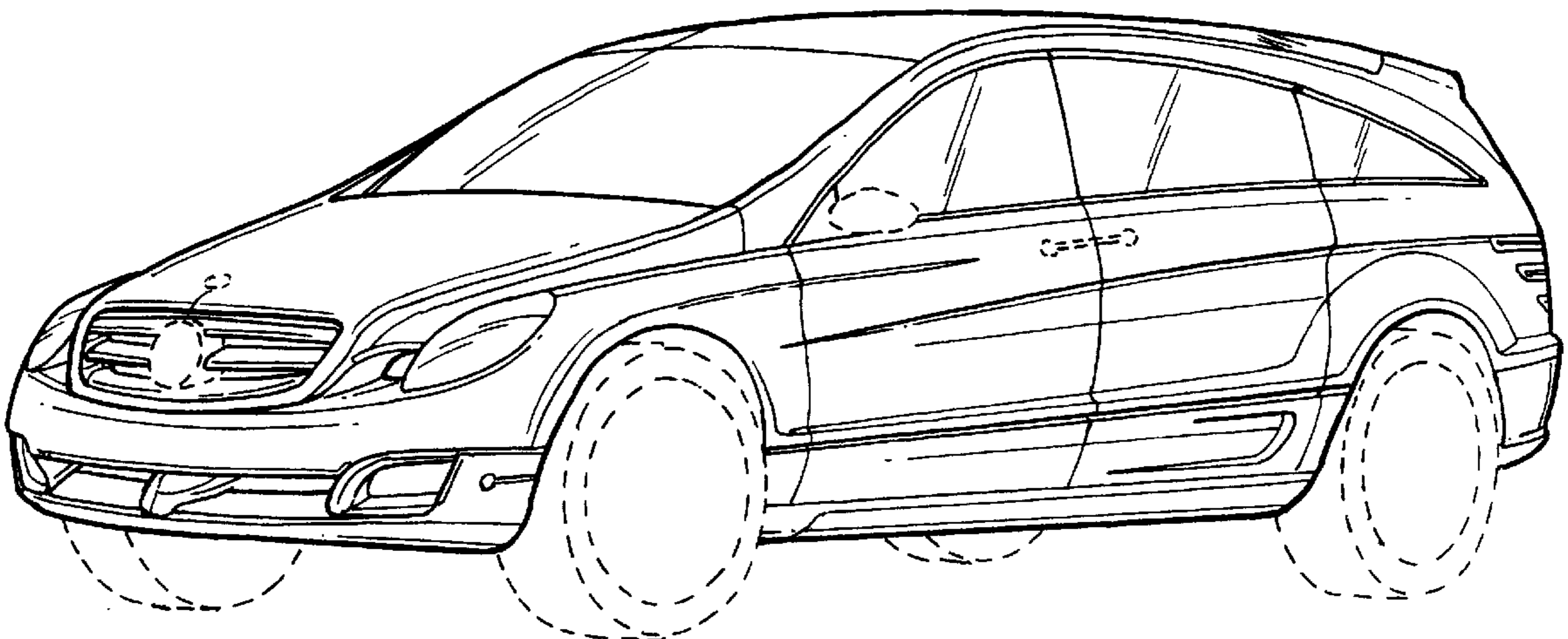
(57) **CLAIM**

The ornamental design for a surface configuration of a vehicle, toy and miscellaneous consumer products incorporating the design, as shown and described.

**DESCRIPTION**

FIG. 1 is a left, front perspective view of a surface configuration of a vehicle, toy and miscellaneous consumer products incorporating the design according to our novel design, the right, front perspective view being mirror symmetrical; FIG. 2 is a front view of the surface configuration of a vehicle, toy and miscellaneous consumer products incorporating the design according to our novel design; FIG. 3 is a left side view of the surface configuration of a vehicle, toy and miscellaneous consumer products incorporating the design according to our novel design; FIG. 4 is a right side view of the surface configuration of a vehicle, toy and miscellaneous consumer products incorporating the design according to our novel design; FIG. 5 is a left, rear perspective view of the surface configuration of a vehicle, toy and miscellaneous consumer products incorporating the design according to our novel design, the right, rear perspective view being mirror symmetrical; and, FIG. 6 is a rear view of the surface configuration of a vehicle, toy and miscellaneous consumer products incorporating the design according to our novel design. The broken lines included depict environment and are not part of the claimed design.

**1 Claim, 4 Drawing Sheets**



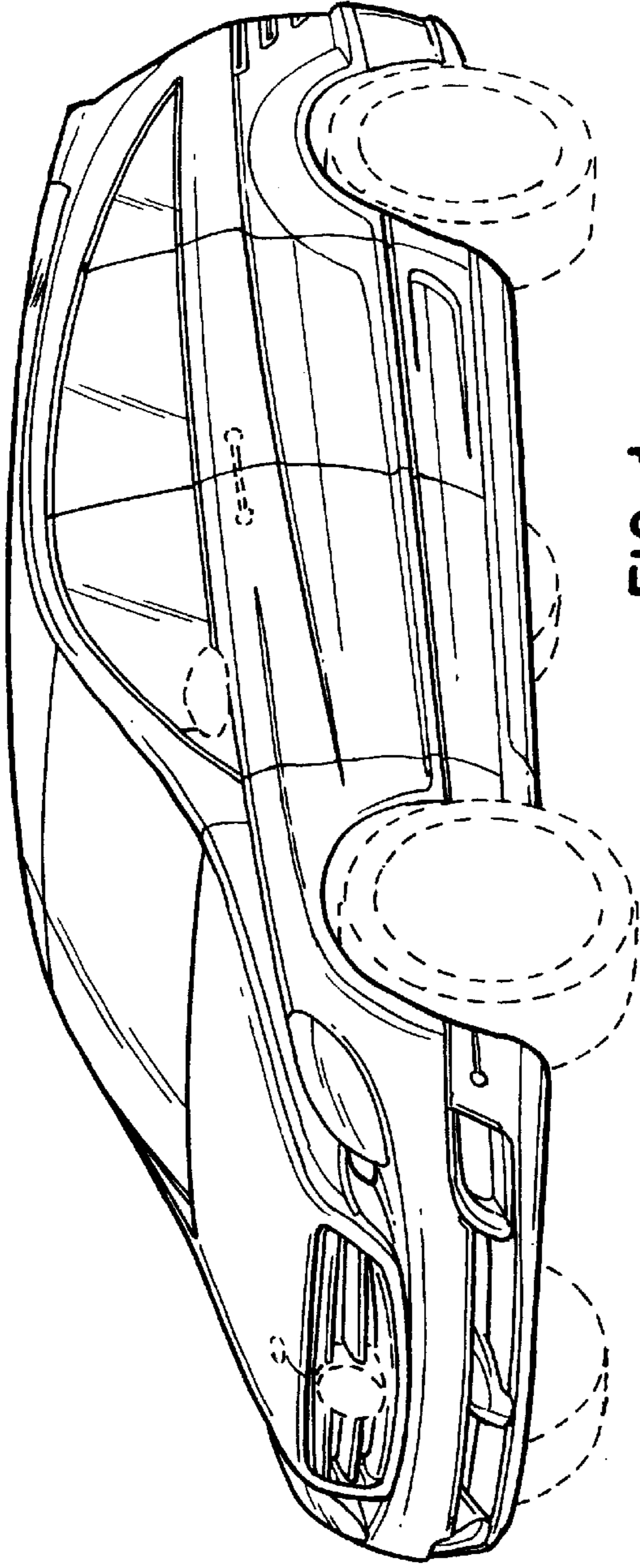


FIG. 1

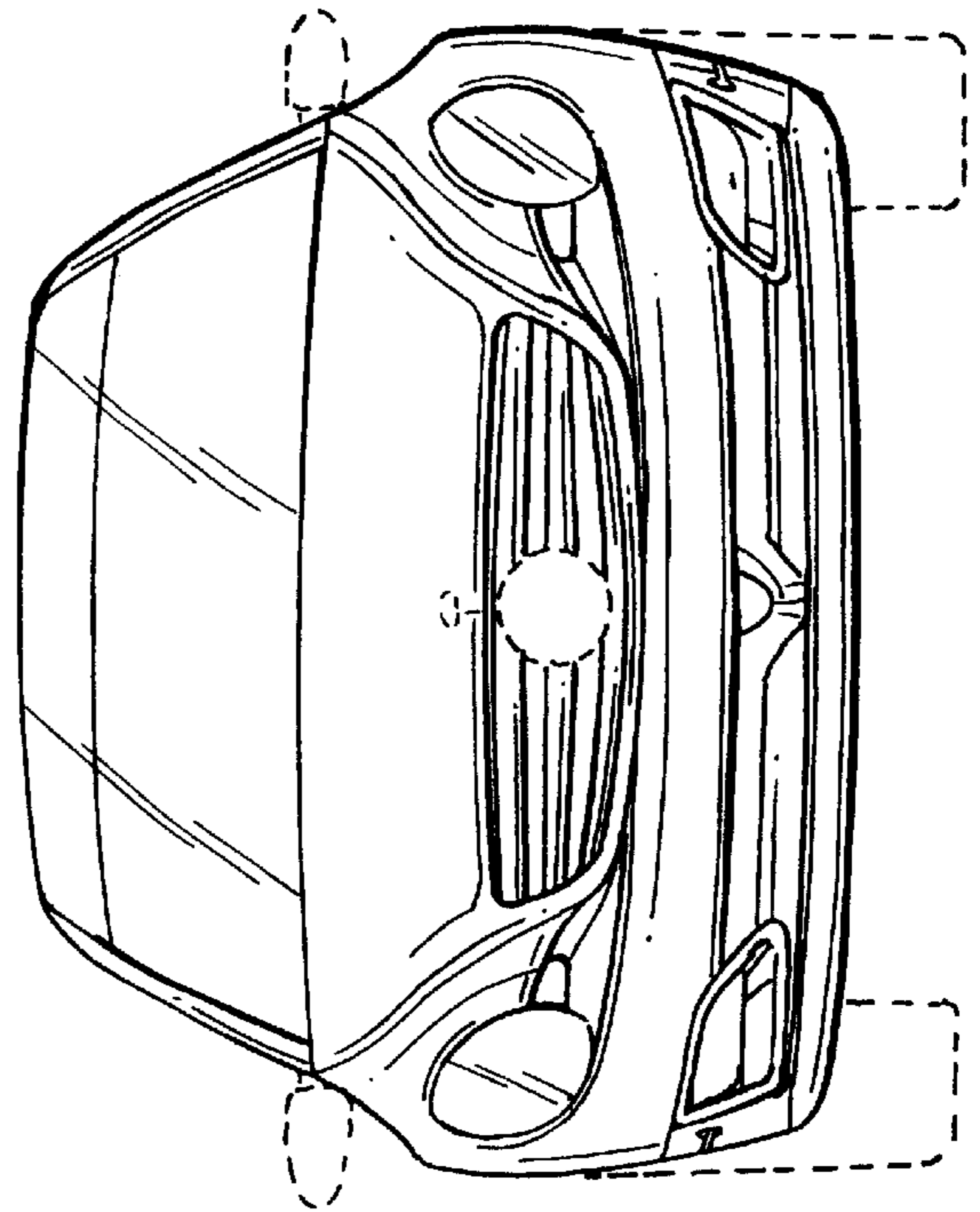


FIG. 2

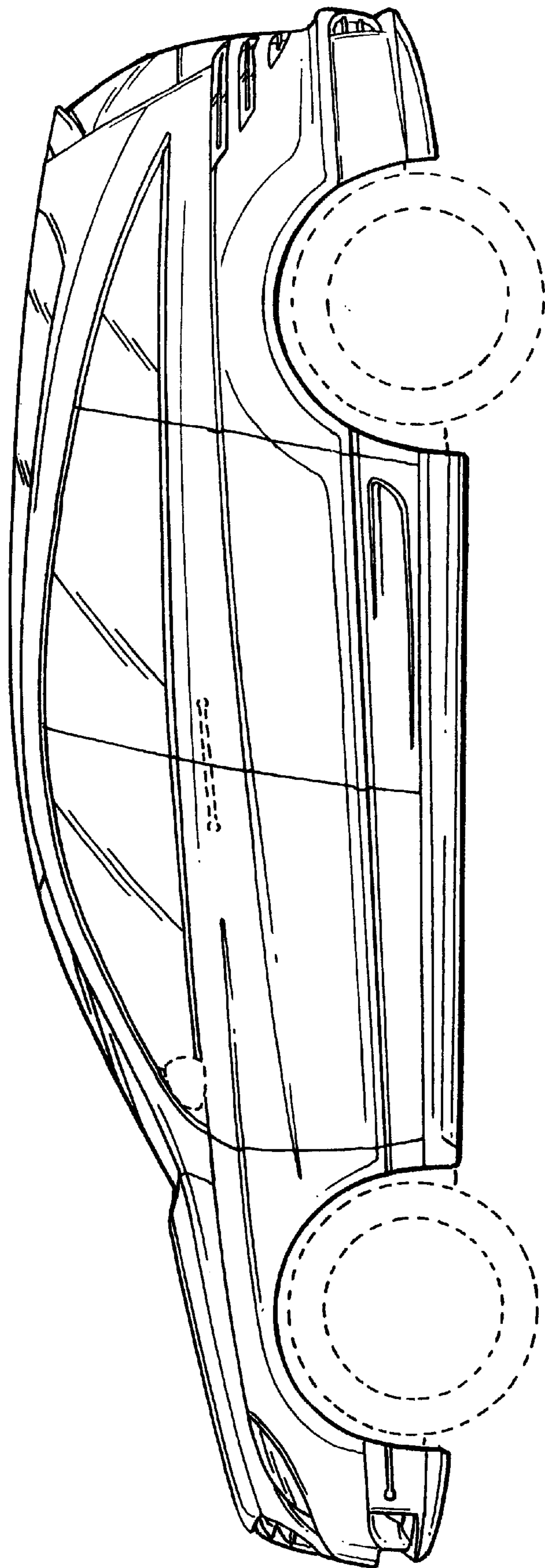


FIG. 3

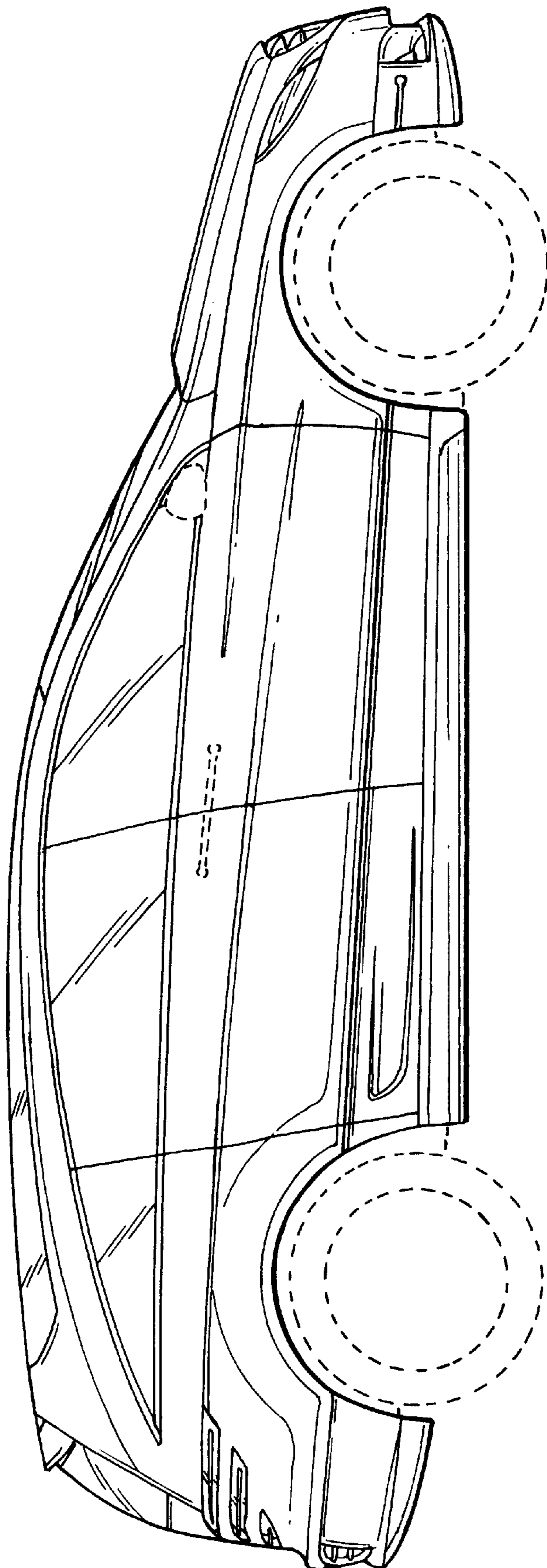


FIG. 4

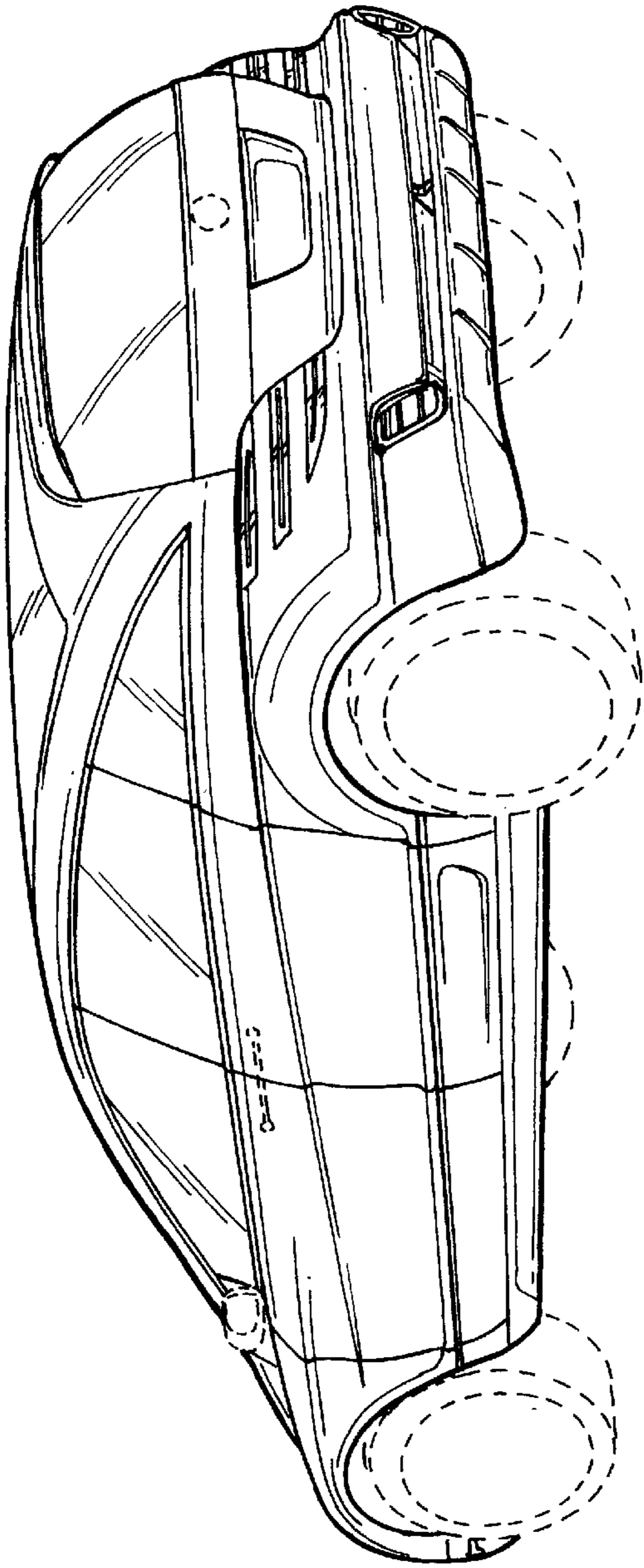


FIG. 5

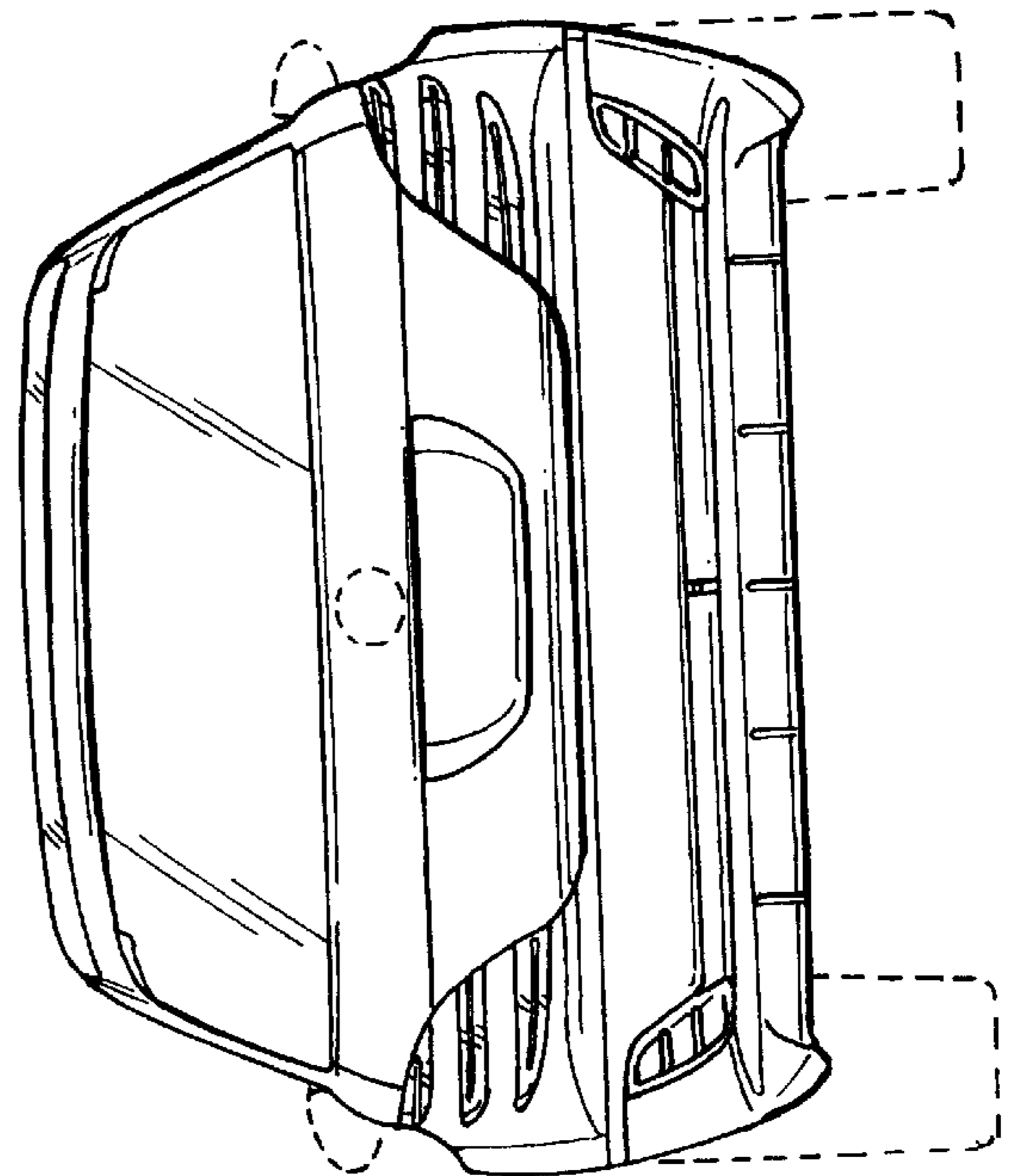


FIG. 6