

US00D469029S

(12) **United States Design Patent**
So

(10) **Patent No.:** **US D469,029 S**

(45) **Date of Patent:** **** Jan. 21, 2003**

(54) **ANIMAL TRAINING DEVICE**

Primary Examiner—Antoine Duval Davis

(74) *Attorney, Agent, or Firm*—Sheridan Ross P.C.

(76) **Inventor:** **Ho Yun So**, 8-1006 Kwangjang Apt.,
28 Youido-dong, Yongdungpo-gu, Seoul
150-762 (KR)

(**) **Term:** **14 Years**

(57) **CLAIM**

The ornamental design for an animal training device, as shown and described.

(21) **Appl. No.:** **29/155,027**

(22) **Filed:** **Jan. 17, 2002**

(51) **LOC (7) Cl.** **10-05**

(52) **U.S. Cl.** **D10/104**

(58) **Field of Search** D10/104; 119/721,
119/720, 719, 905, 908; 340/573, 573.3,
606.6

DESCRIPTION

FIG. 1 is a perspective view of an animal training device showing the new design;
FIG. 2 is a front elevational view thereof;
FIG. 3 is a rear elevational view thereof;
FIG. 4 is a left side elevational view thereof;
FIG. 5 is a right side elevational view thereof;
FIG. 6 is a top plan view thereof;
FIG. 7 is a bottom plan view thereof; and,
FIG. 8 is a front perspective view of the animal training device of FIG. 1 shown with environment, the broken lines forming no part of the claimed design.

(56) **References Cited**

U.S. PATENT DOCUMENTS

D410,206 S * 5/1999 Slater D10/104
6,019,066 A * 2/2000 Taylor 119/720

* cited by examiner

1 Claim, 5 Drawing Sheets

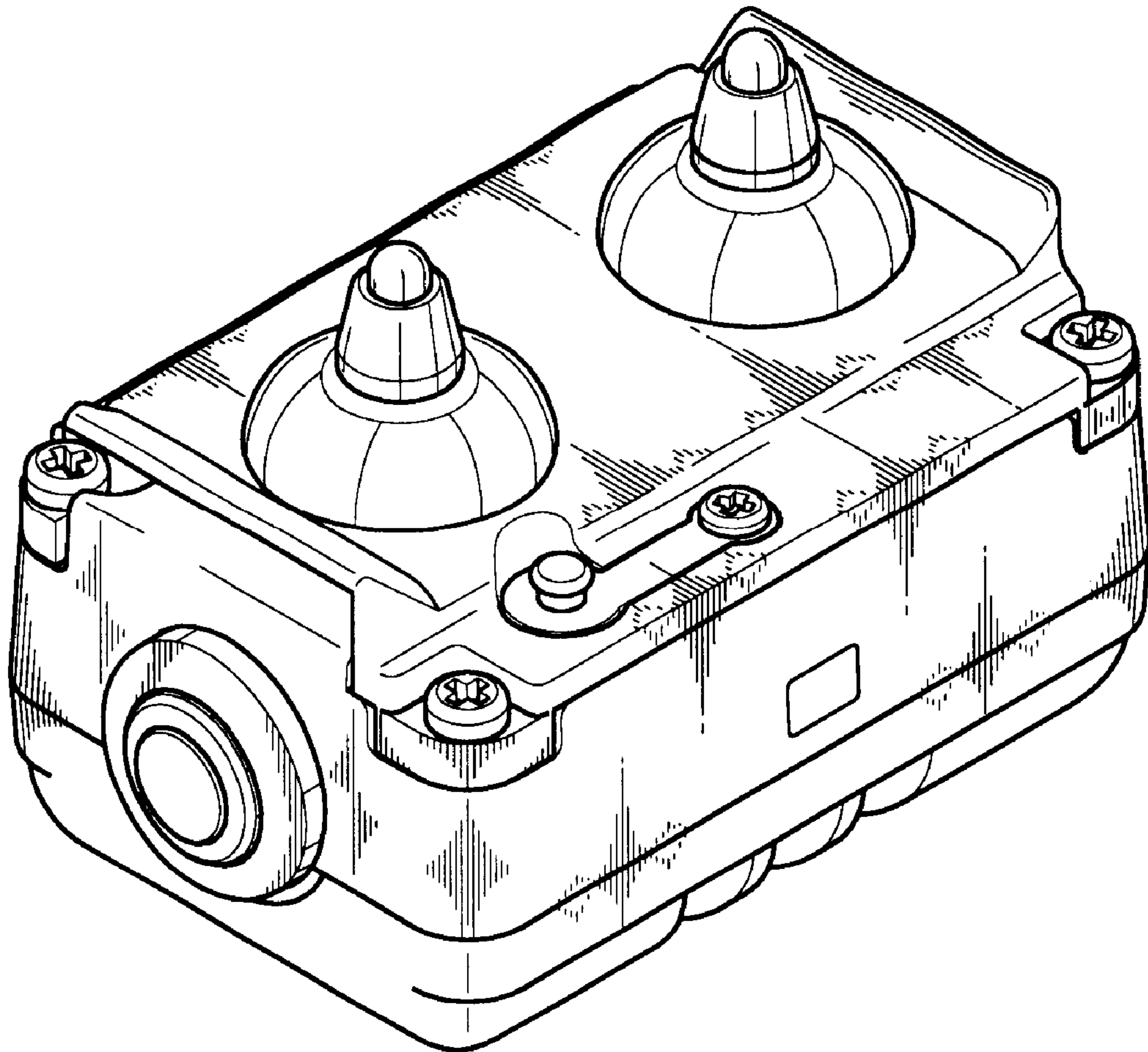


FIG. 1

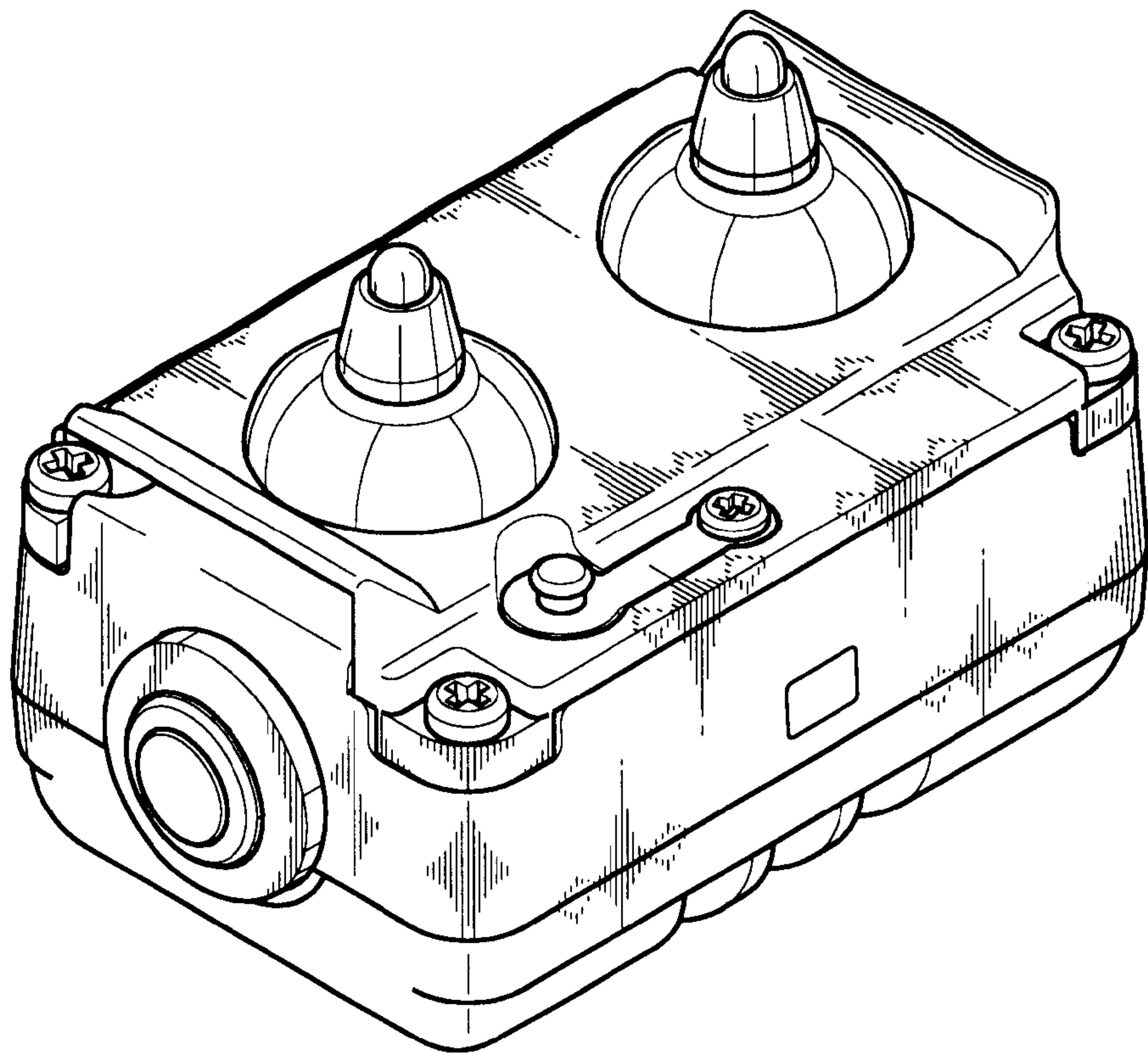


FIG. 2

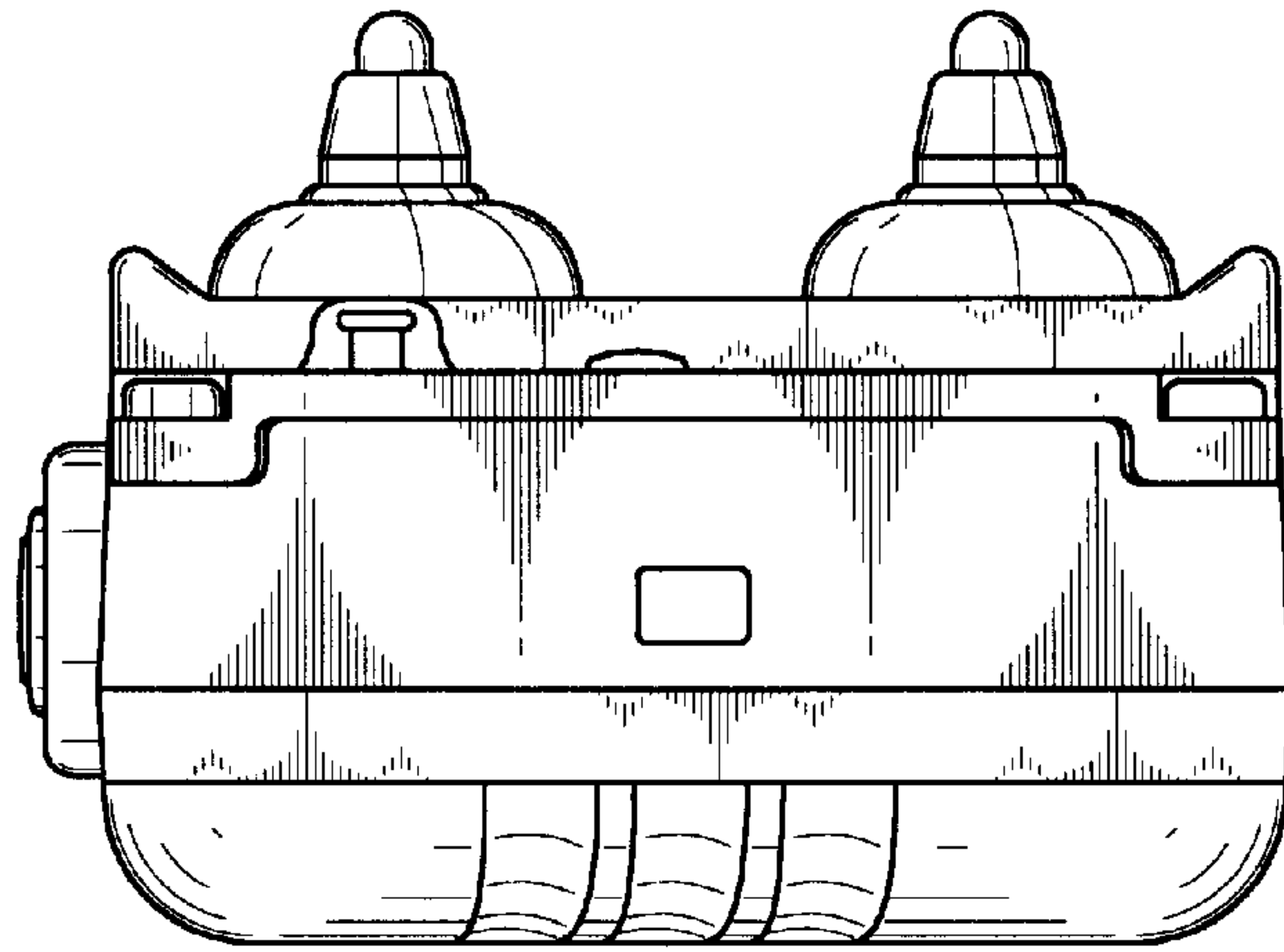


FIG. 3

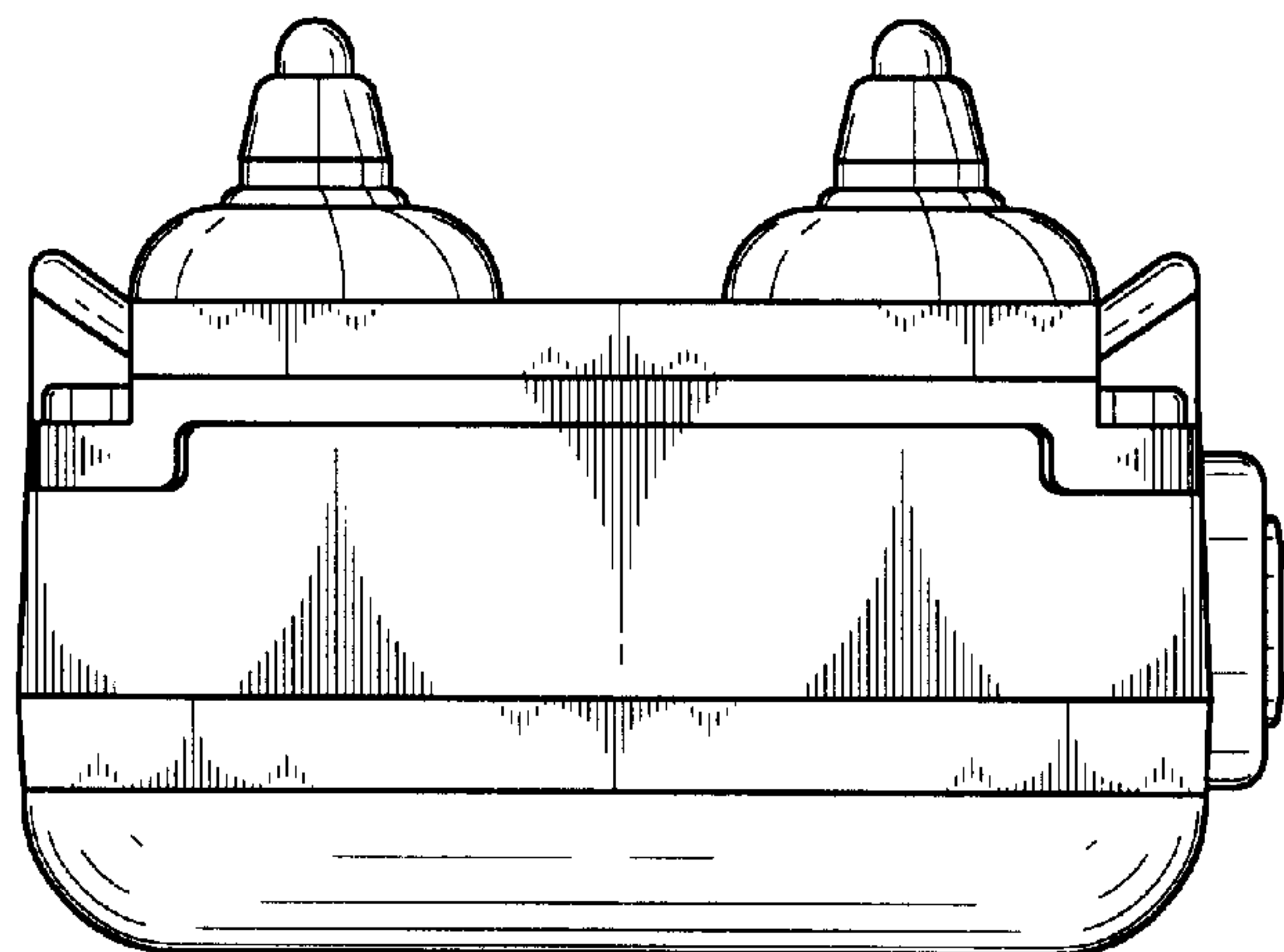


FIG. 4

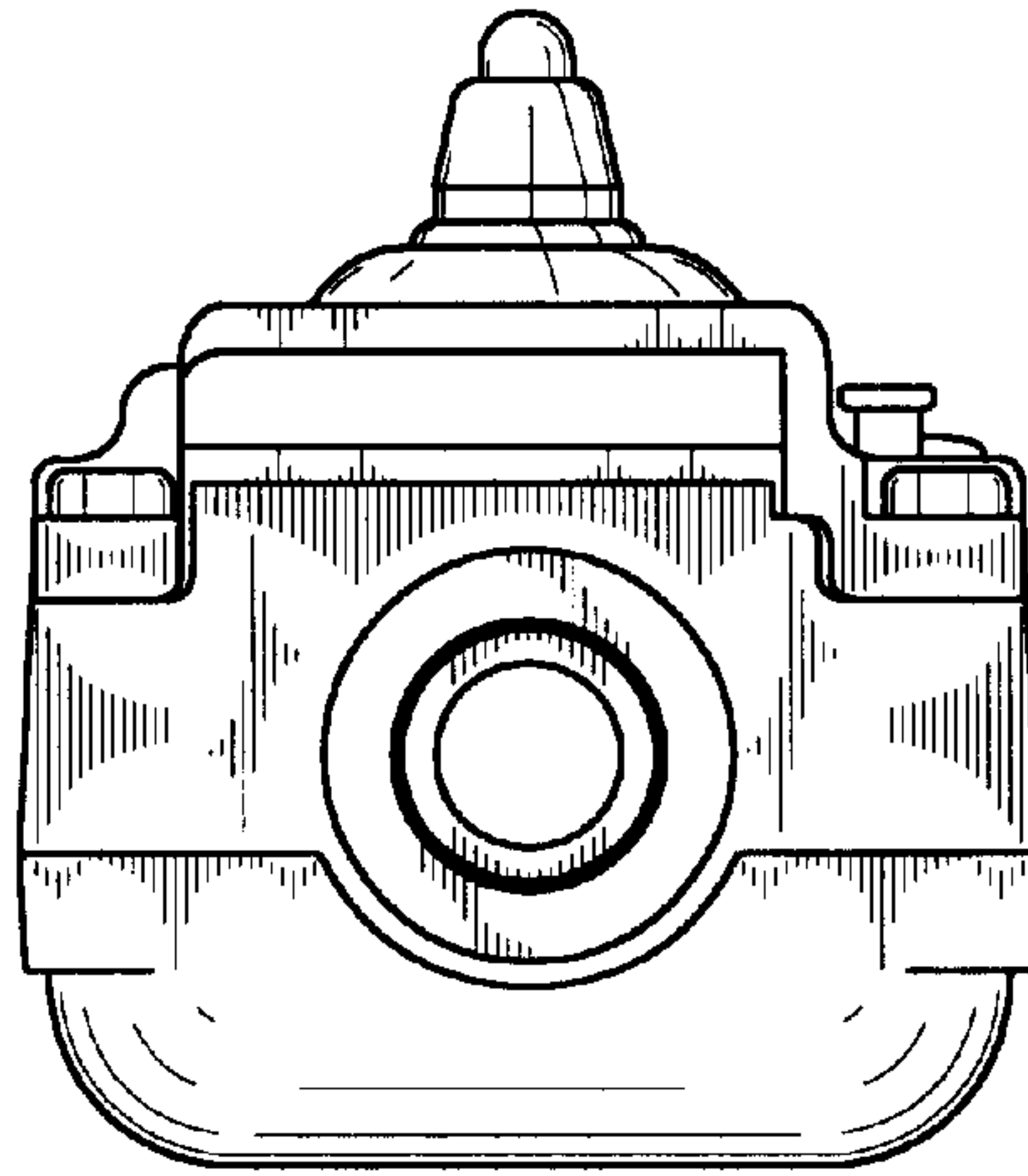


FIG. 5

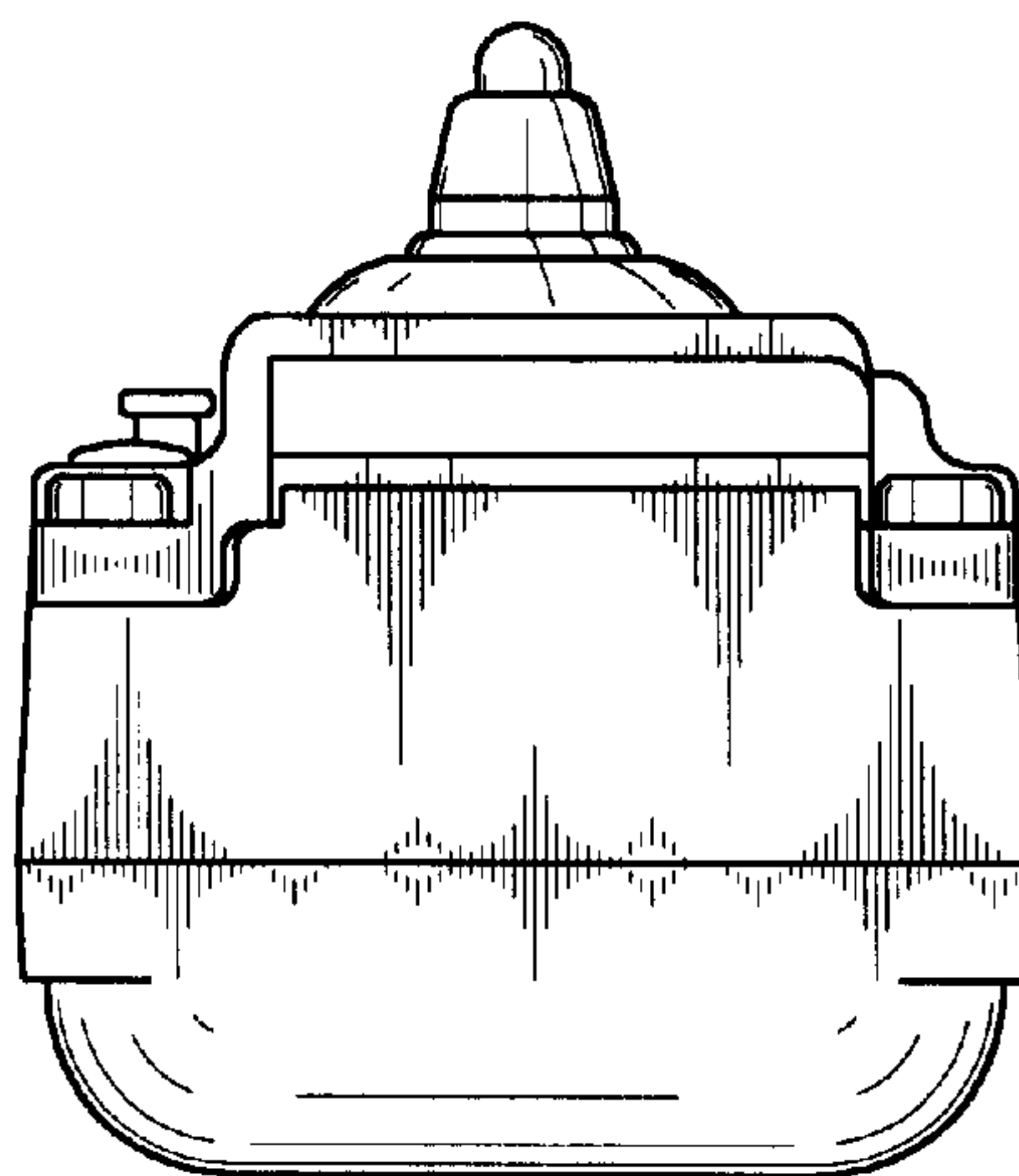


FIG. 6

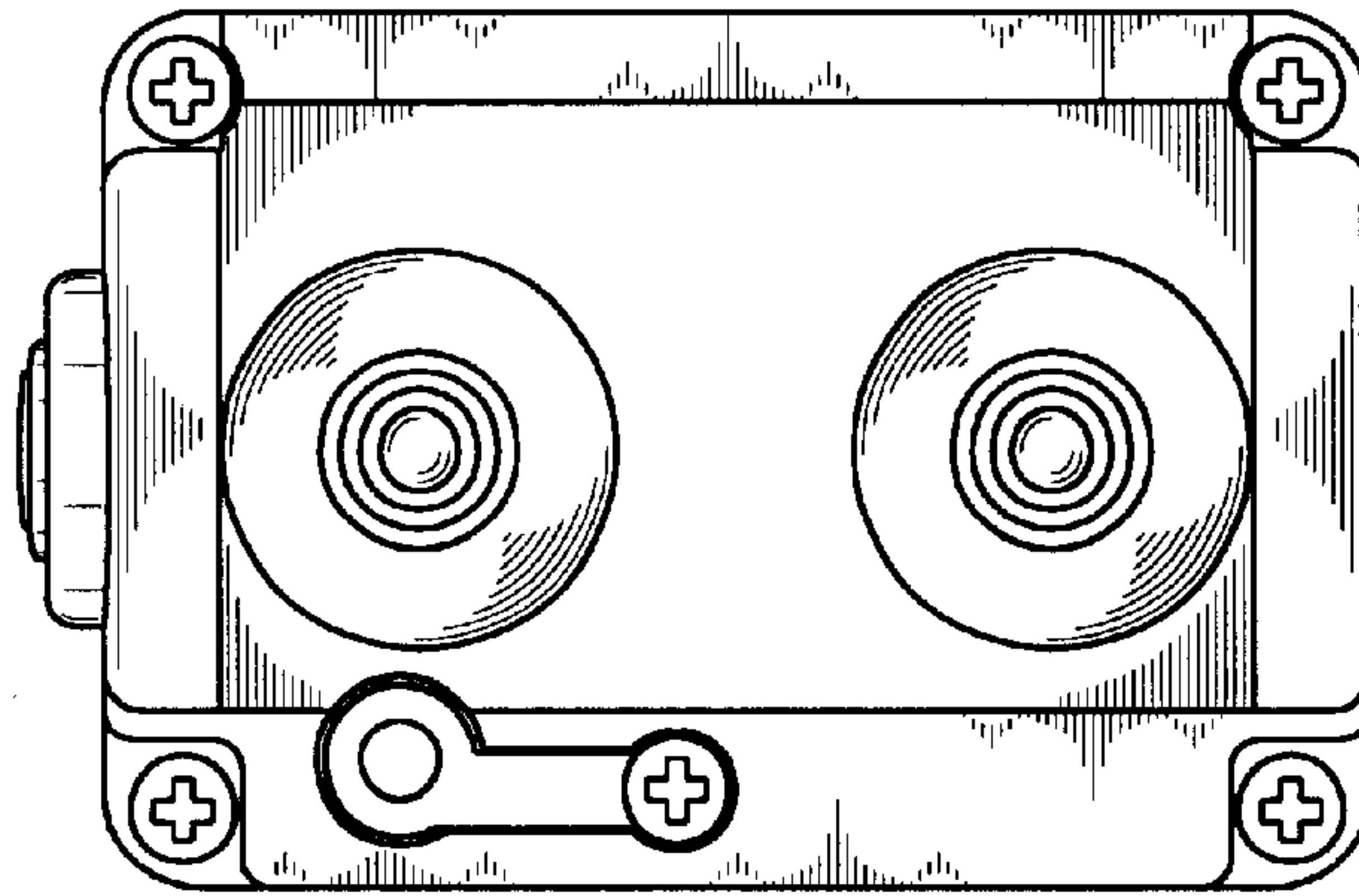


FIG. 7

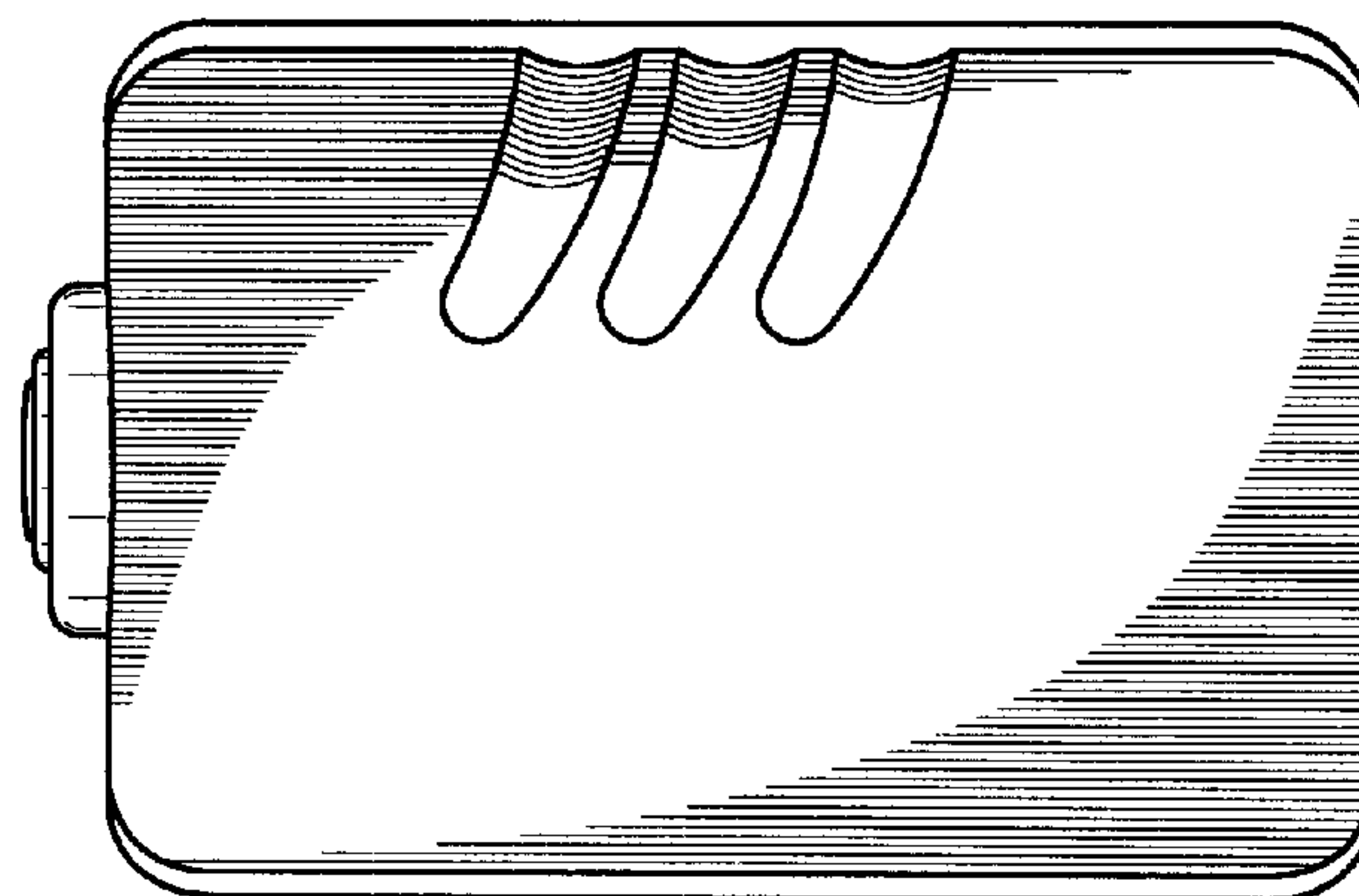


FIG. 8

