



US00D469027S

(12) **United States Design Patent**
Jekelis

(10) **Patent No.:** **US D469,027 S**

(45) **Date of Patent:** **** *Jan. 21, 2003**

(54) **COMBINATION RACK FOR CHEMICAL ANALYZERS**

D416,212 S * 11/1999 Green, III et al. D10/80

* cited by examiner

(75) **Inventor:** **Albert W. Jekelis**, Westfield, NJ (US)

Primary Examiner—Antoine Duval Davis

(73) **Assignee:** **University of Medicine and Dentistry of New Jersey**, New Brunswick, NJ (US)

(74) *Attorney, Agent, or Firm*—Klauber & Jackson

(*) **Notice:** This patent is subject to a terminal disclaimer.

(57) **CLAIM**

The ornamental design for a combination rack for chemical analyzers, as shown and described.

(**) **Term:** **14 Years**

DESCRIPTION

(21) **Appl. No.:** **29/110,772**

FIG. 1 is a perspective view of the combination rack for chemical analyzers from the front left corner of the invention.

(22) **Filed:** **Sep. 13, 1999**

FIG. 2 is the front elevation thereof.

(51) **LOC (7) Cl.** **10-04**

FIG. 3 is the rear elevation thereof.

(52) **U.S. Cl.** **D10/80**

(58) **Field of Search** D10/80, 81; D8/319, D8/320; 16/110.5; 324/158 P, 158 F; 436/46, 50, 58

FIG. 4 is the right side elevation thereof.

FIG. 5 is the left side elevation thereof.

FIG. 6 is the top plan view thereof; and,

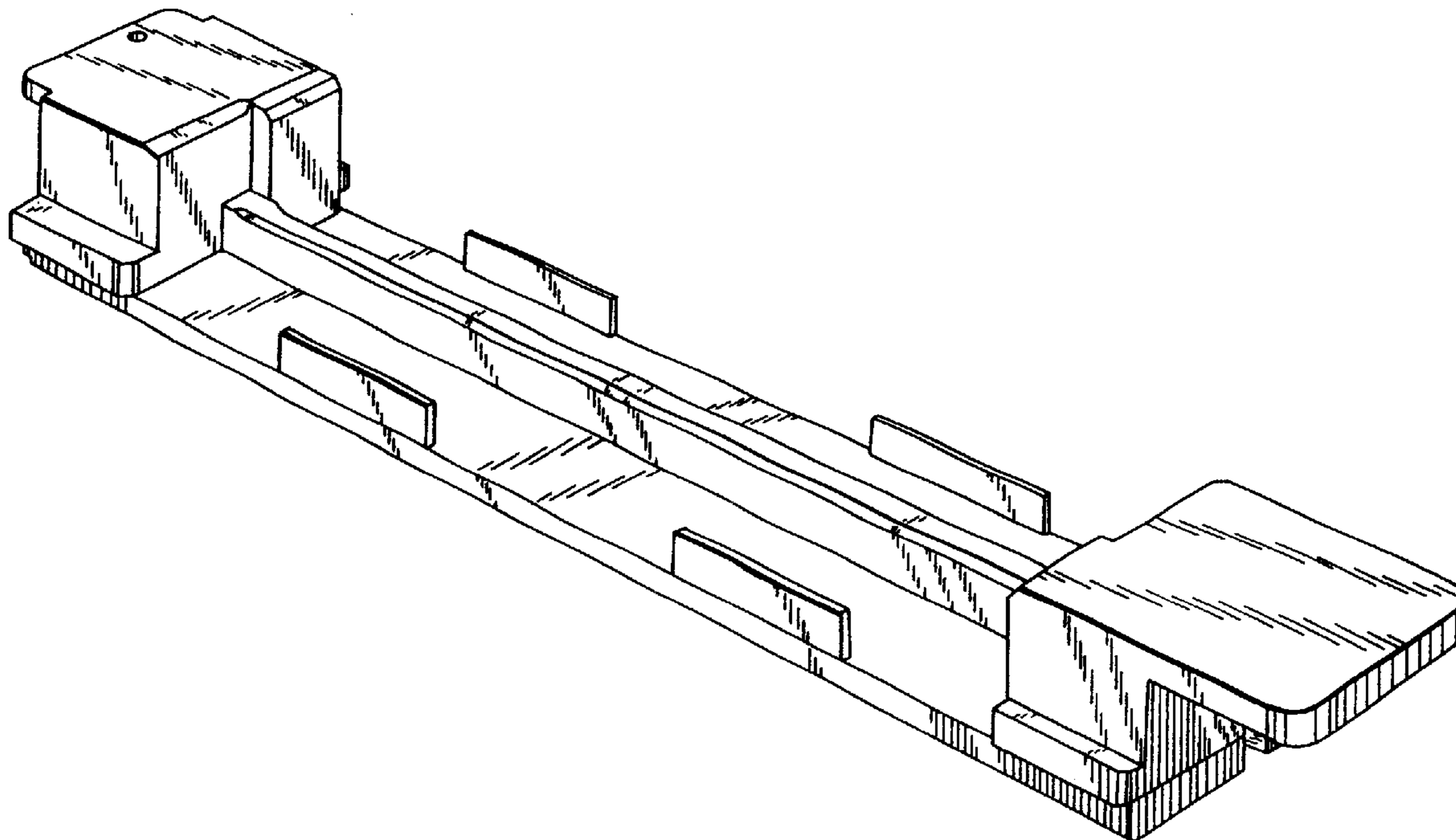
FIG. 7 is the bottom plan view thereof.

(56) **References Cited**

U.S. PATENT DOCUMENTS

5,945,341 A * 8/1999 Howard, III 436/46

1 Claim, 3 Drawing Sheets



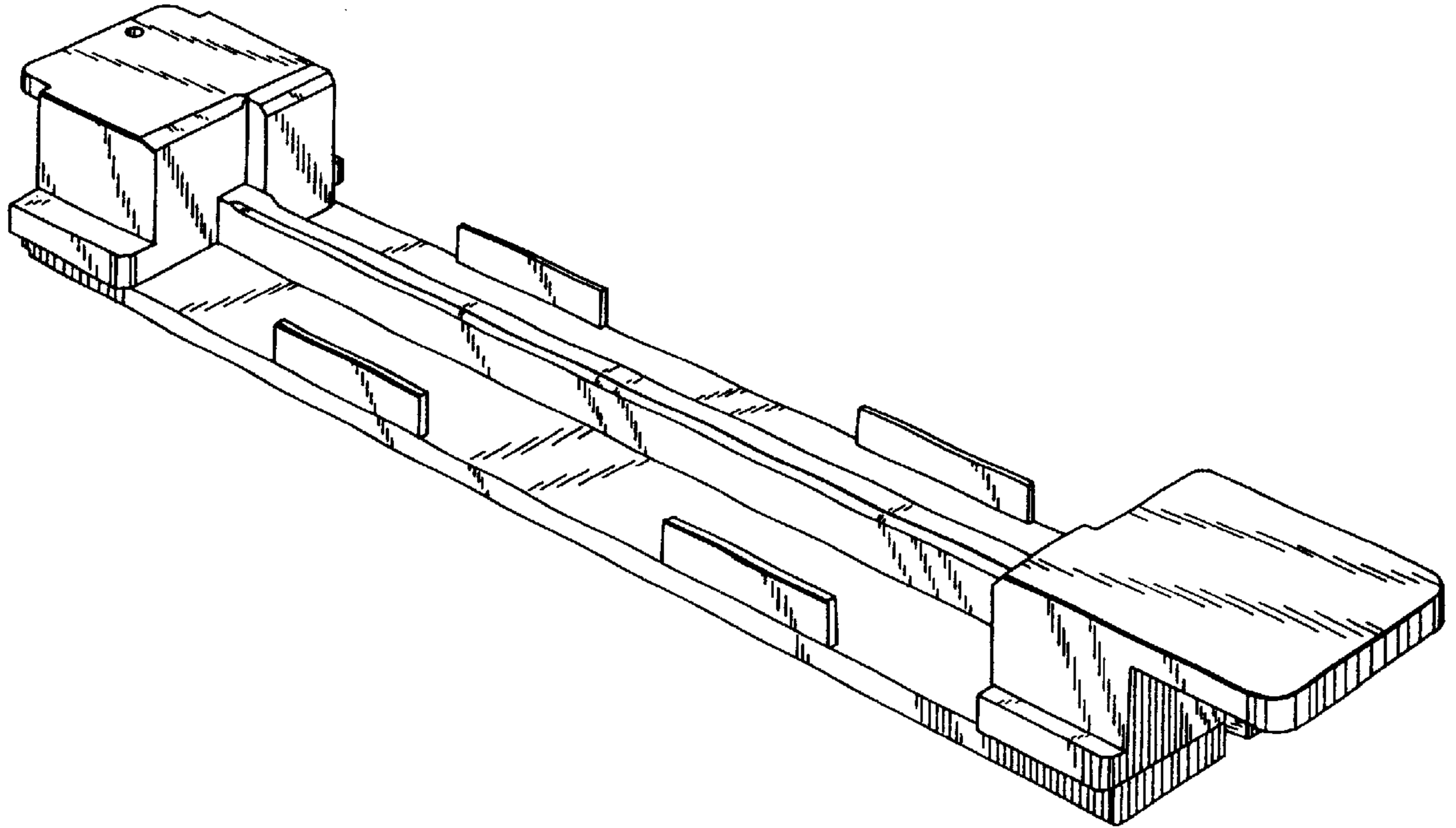


FIG. 1

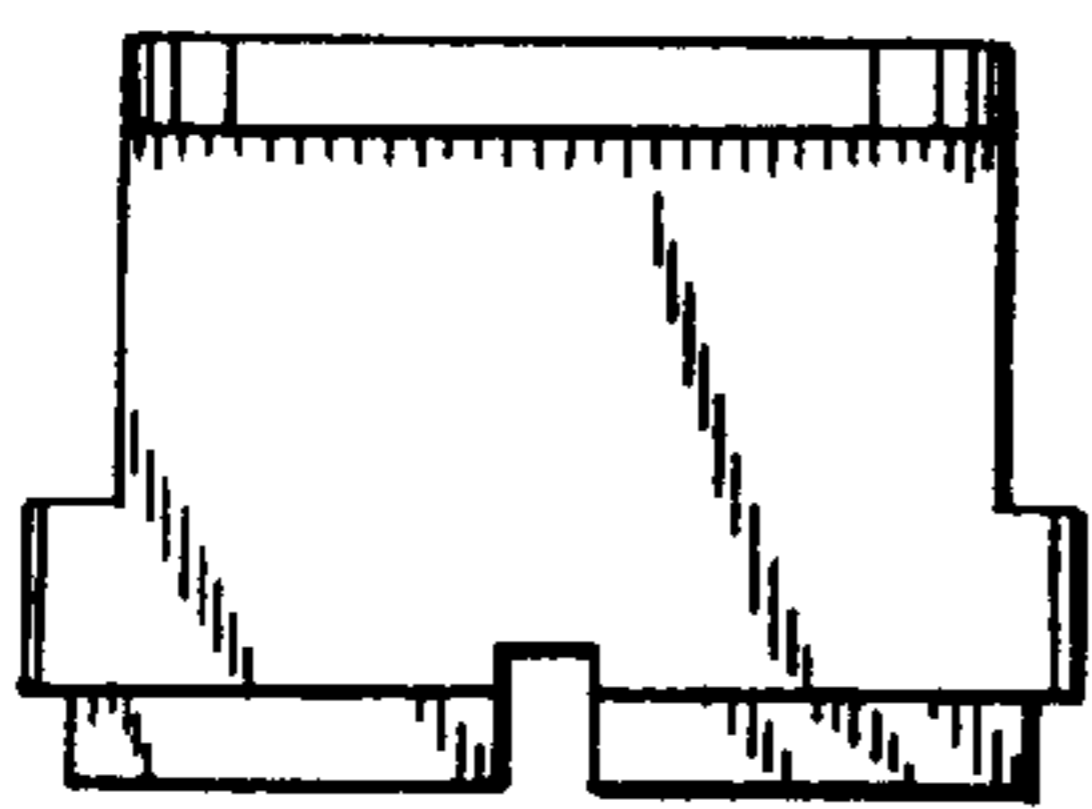


FIG. 2

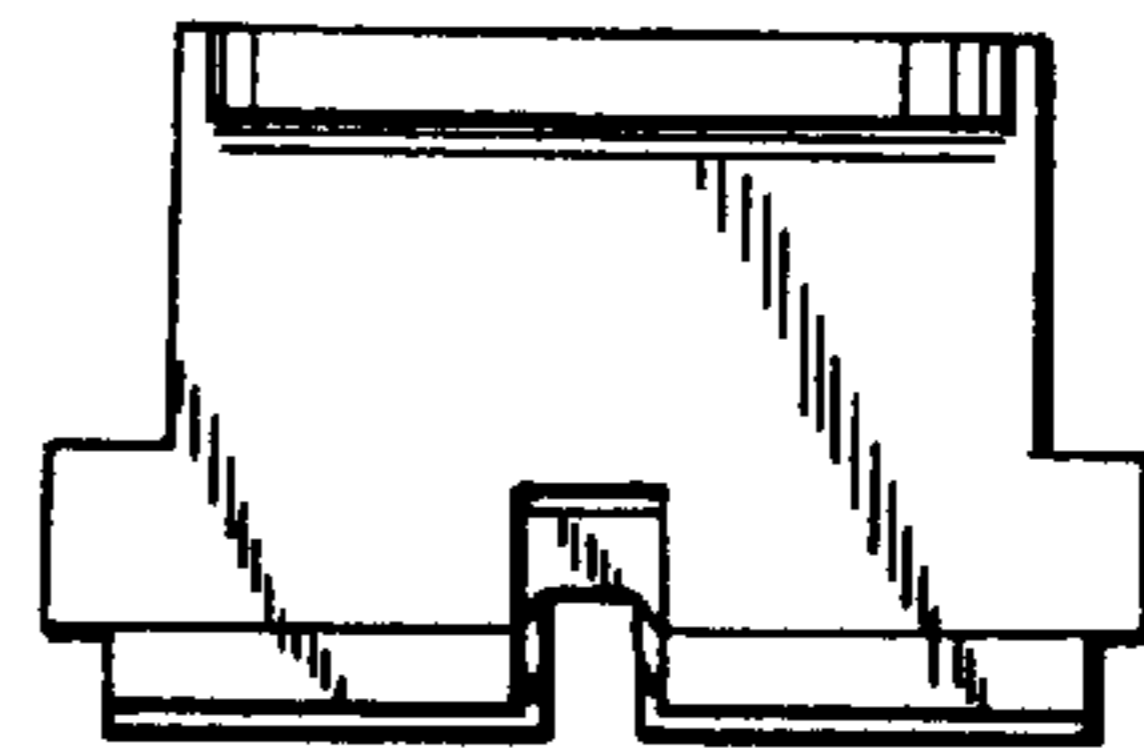


FIG. 3

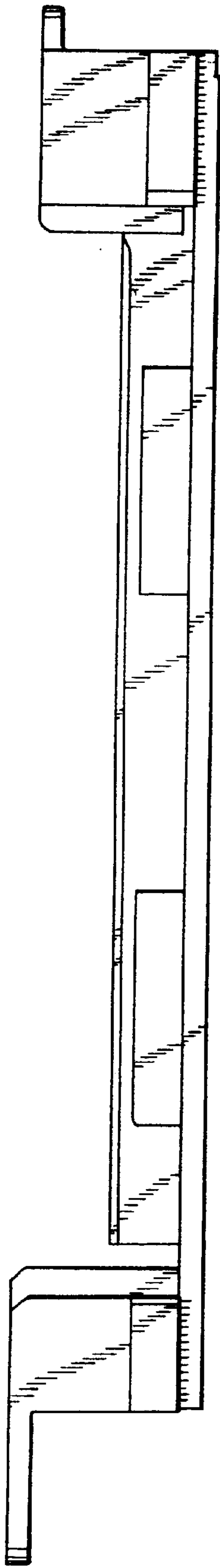


FIG. 4

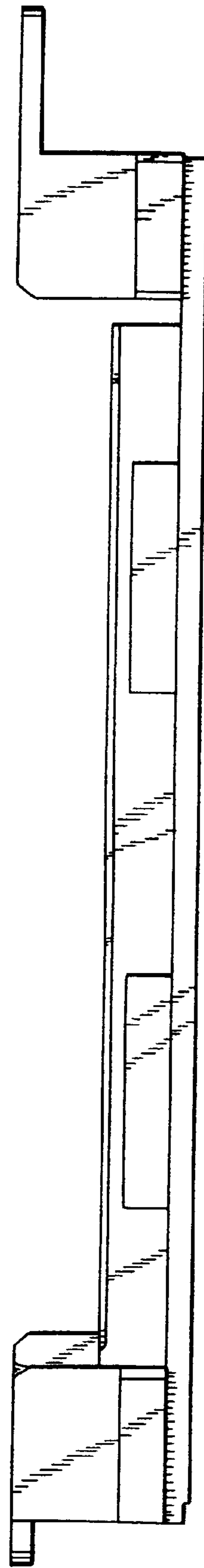


FIG. 5

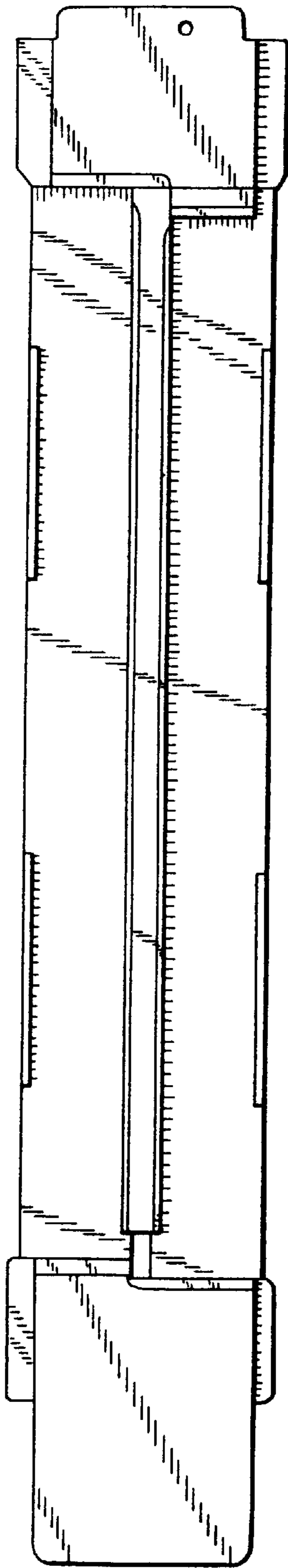


FIG. 6

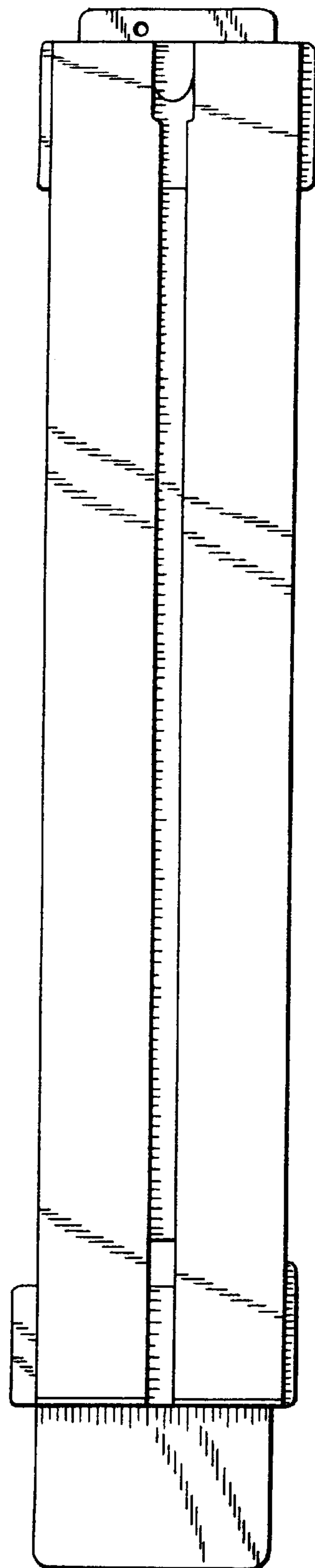


FIG. 7