



US00D469026S

(12) **United States Design Patent**
Hoofnagle et al.

(10) **Patent No.:** **US D469,026 S**

(45) **Date of Patent:** **** Jan. 21, 2003**

(54) **NETWORK CONNECTIVITY TESTER**

D424,456 S * 5/2000 Hoofnagle et al. D10/78
D430,048 S * 8/2000 Hoofnagle et al. D10/78

(75) Inventors: **Wayne S. Hoofnagle**, Redmond, WA
(US); **Sena E. R. Janky**, Sammamish,
WA (US)

* cited by examiner

Primary Examiner—Antoine Duval Davis

(73) Assignee: **Fluke Networks, Inc.**, Everett, WA
(US)

(57) **CLAIM**

(**) Term: **14 Years**

The ornamental design for a network connectivity tester, as shown and described.

(21) Appl. No.: **29/153,645**

DESCRIPTION

(22) Filed: **Jan. 9, 2002**

(51) **LOC (7) Cl.** **10-04**

(52) **U.S. Cl.** **D10/78**

(58) **Field of Search** D10/78; 324/66,
324/67, 158 F, 539-542; 379/1-10, 21,
60, 66, 96, 105-107; 340/321, 540, 565,
566, 571-573

FIG. 1 is a perspective view of a network connectivity tester showing my new design;

FIG. 2 is a front plan view thereof;

FIG. 3 is a right side elevation view thereof;

FIG. 4 is a rear plan view thereof;

FIG. 5 is a left side elevation view thereof;

FIG. 6 is a top elevation view thereof; and,

FIG. 7 is a bottom elevation view thereof.

(56) **References Cited**

U.S. PATENT DOCUMENTS

D353,342 S * 12/1994 King et al. D10/78

1 Claim, 2 Drawing Sheets

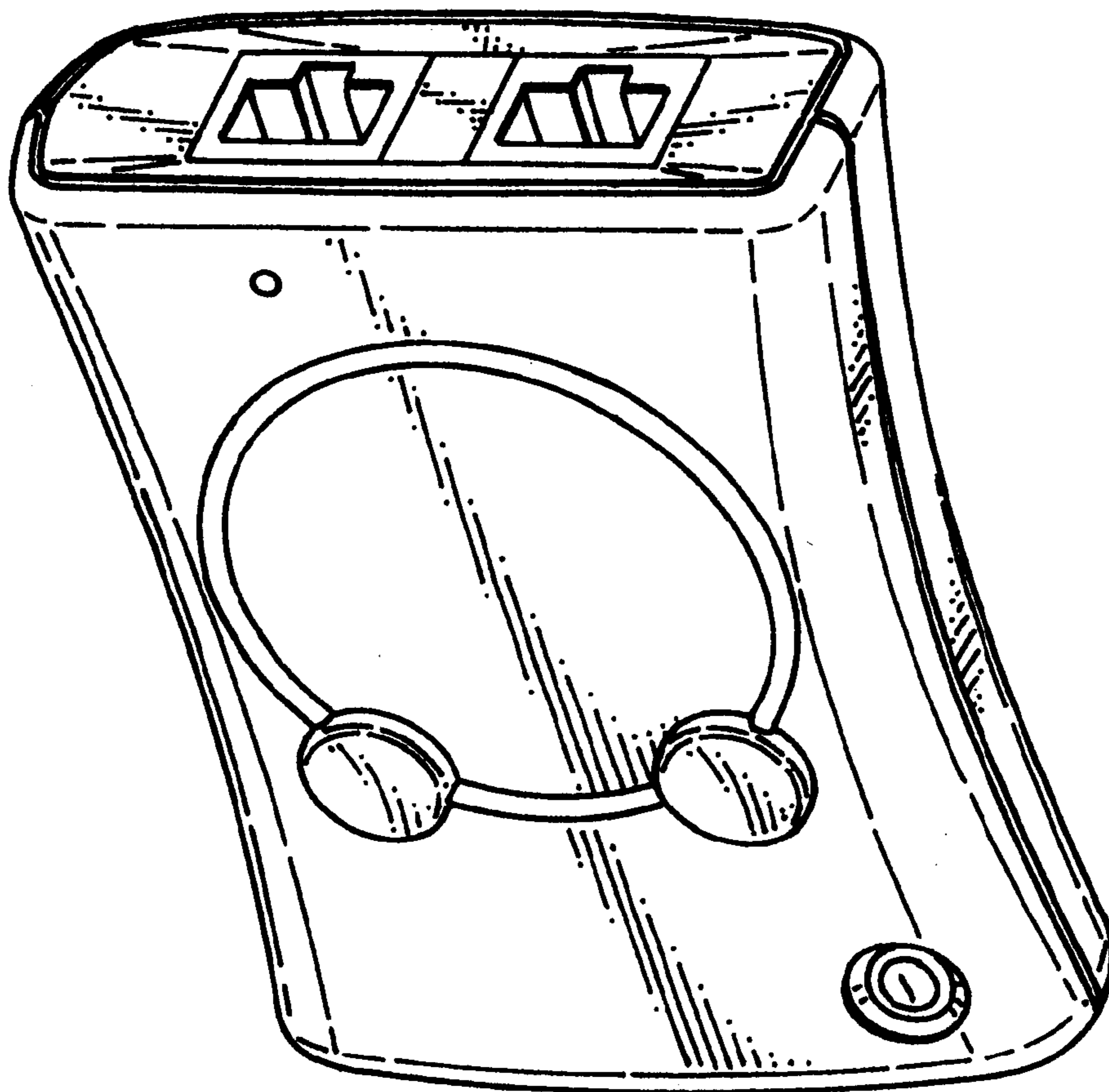


FIG. 1

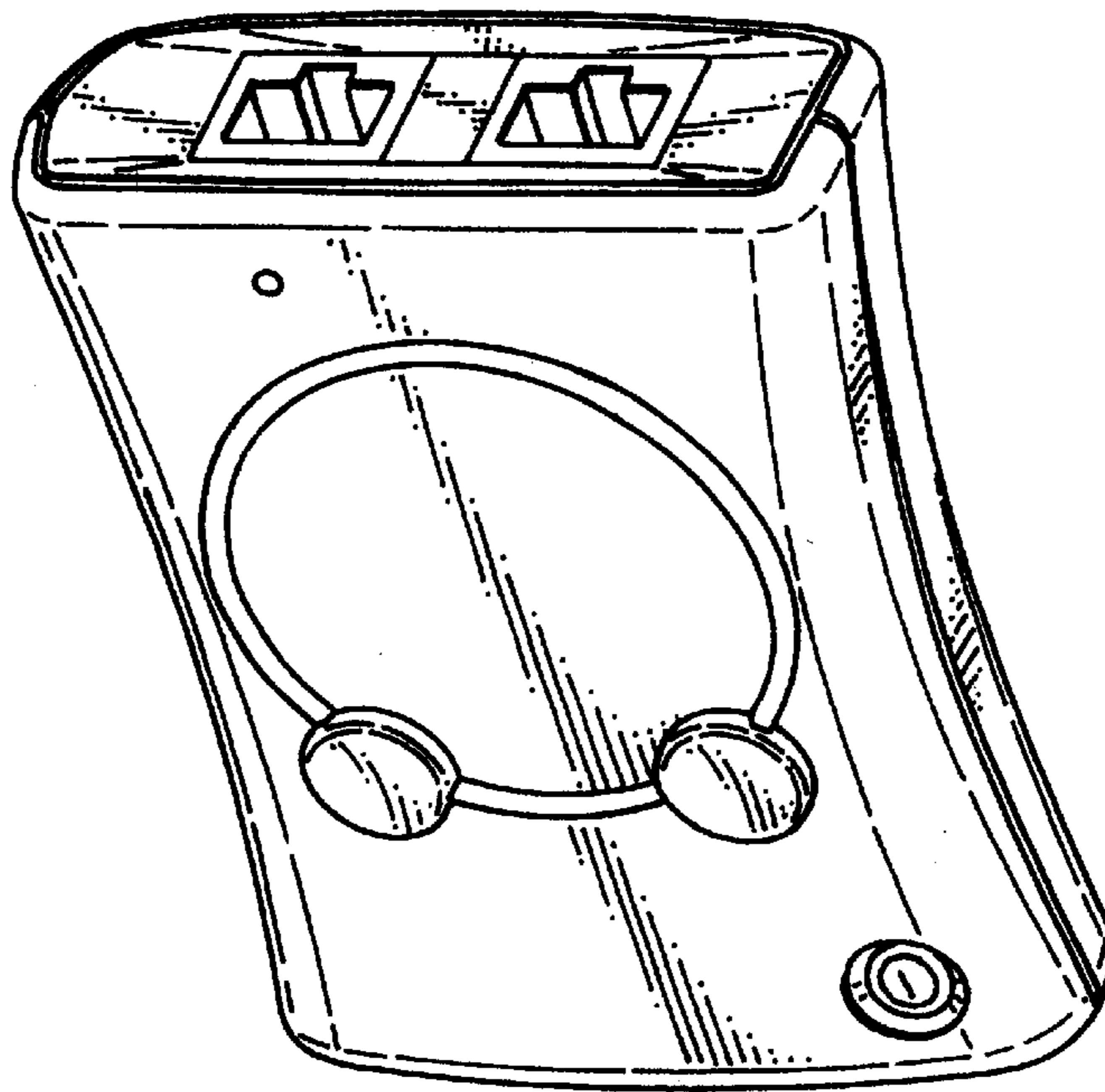


FIG. 2

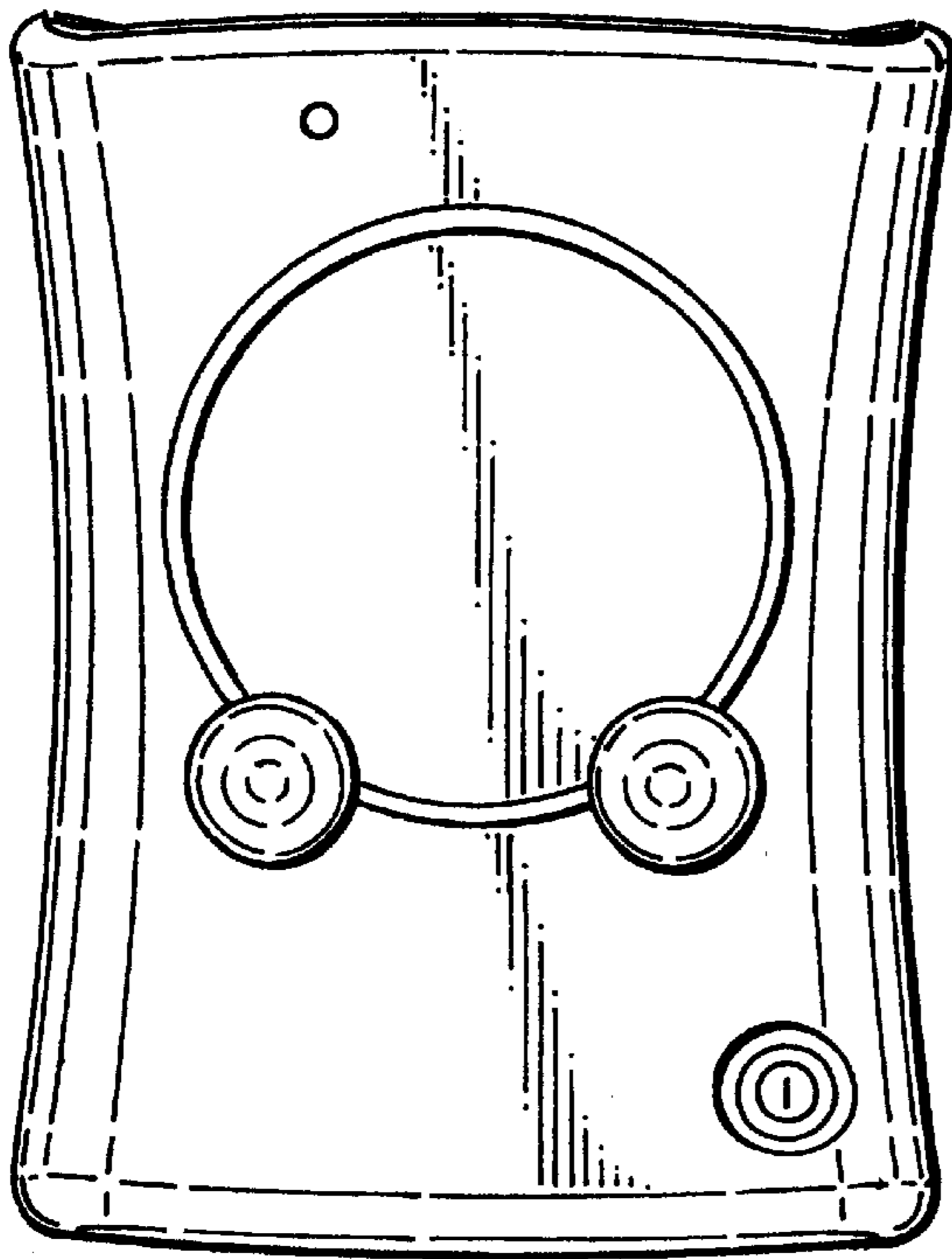


FIG. 3

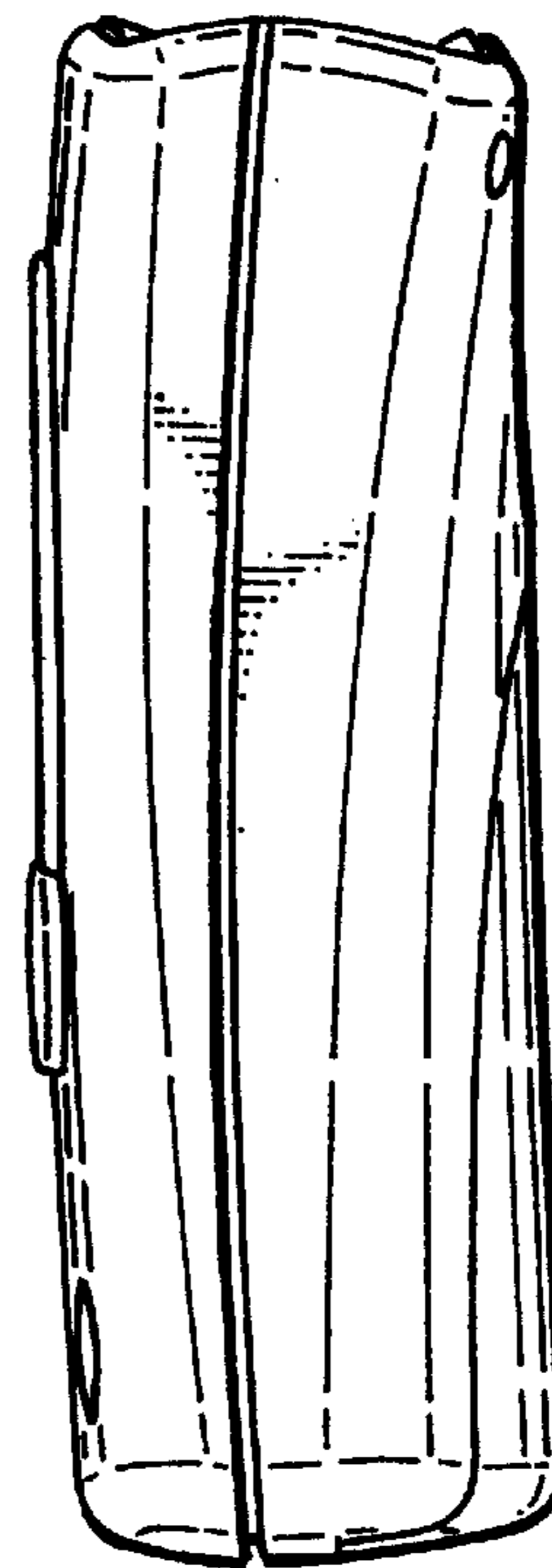


FIG. 4

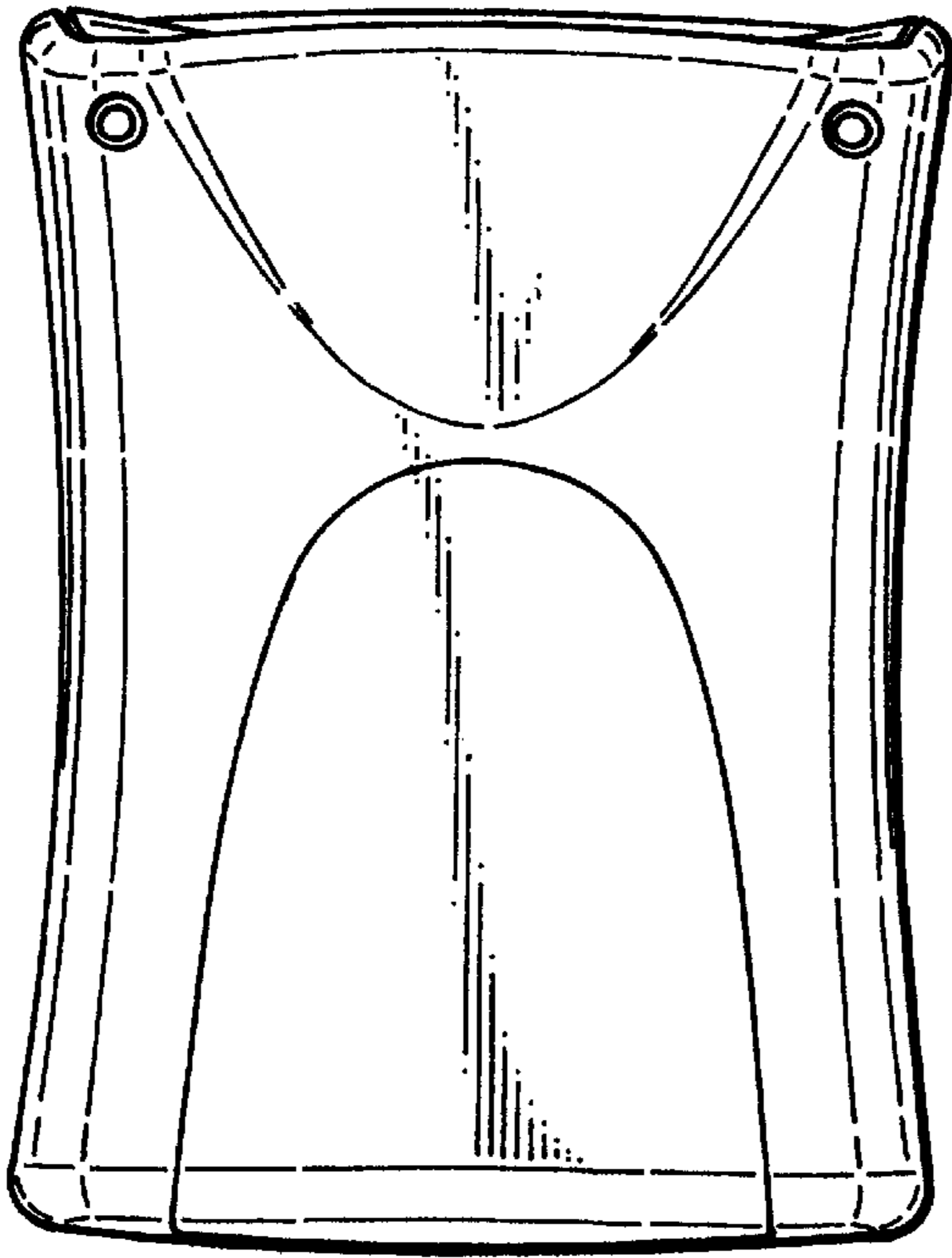


FIG. 5

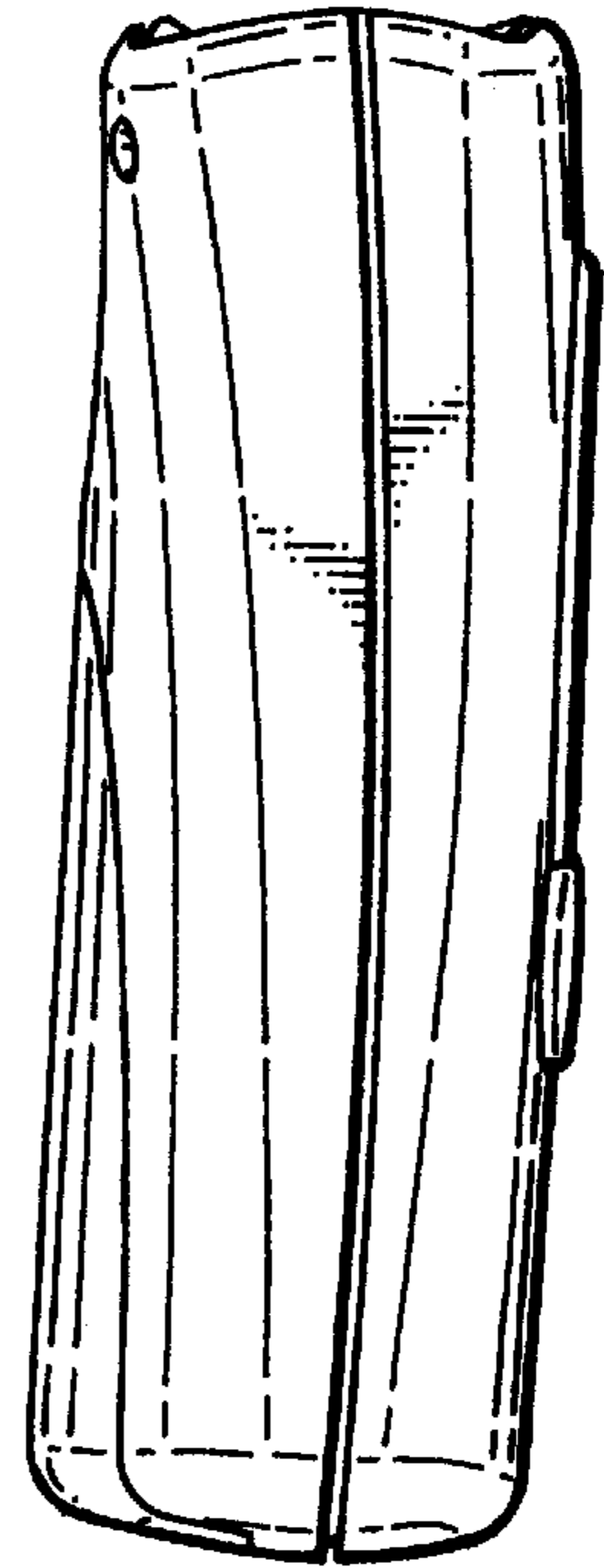


FIG. 6

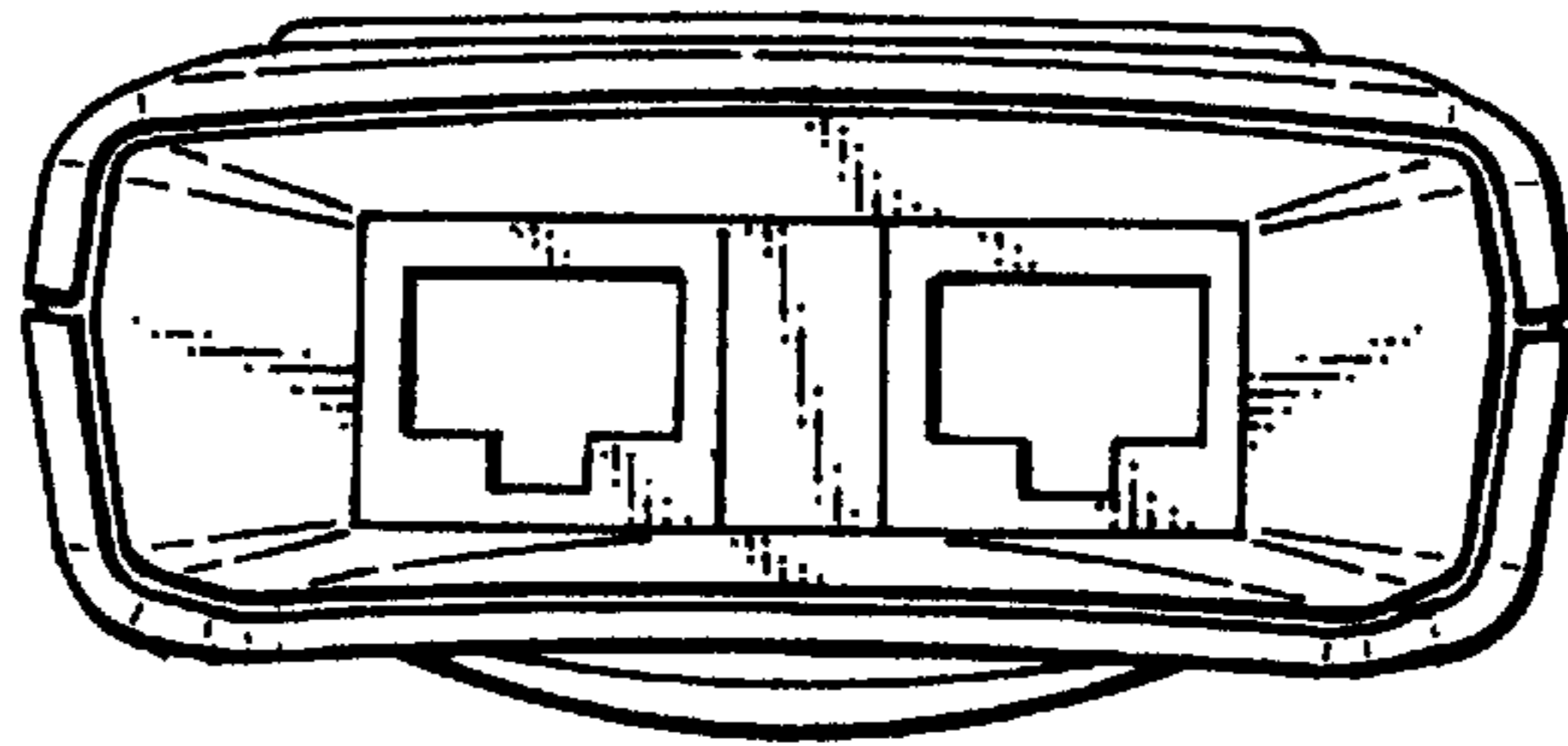


FIG. 7

