

US00D469025S

(12) **United States Design Patent**
Chen

(10) **Patent No.:** **US D469,025 S**

(45) **Date of Patent:** **** Jan. 21, 2003**

(54) **PHOTO DETECTOR**

(76) **Inventor:** **Li-Chuan Chen**, 7F, No. 31, Lane 513,
Ruikwang Rd., Taipei (TW)

(**) **Term:** **14 Years**

(21) **Appl. No.:** **29/151,312**

(22) **Filed:** **Dec. 4, 2001**

(51) **LOC (7) Cl.** **10-04**

(52) **U.S. Cl.** **D10/46**

(58) **Field of Search** D10/46, 57; 356/221-236,
356/DIG. 933

(56) **References Cited**

U.S. PATENT DOCUMENTS

4,003,662 A * 1/1977 Retzer et al. 356/206
5,486,914 A * 1/1996 Denove et al. 356/221

* cited by examiner

Primary Examiner—Antoine Duval Davis
(74) *Attorney, Agent, or Firm*—Thorp Reed & Armstrong,
LLP

(57) **CLAIM**

The ornamental design for a photo detector, as shown.

DESCRIPTION

FIG. 1 is a perspective view of a photo detector, showing my new design;

FIG. 2 is a front elevational view thereof;

FIG. 3 is a rear elevational view thereof;

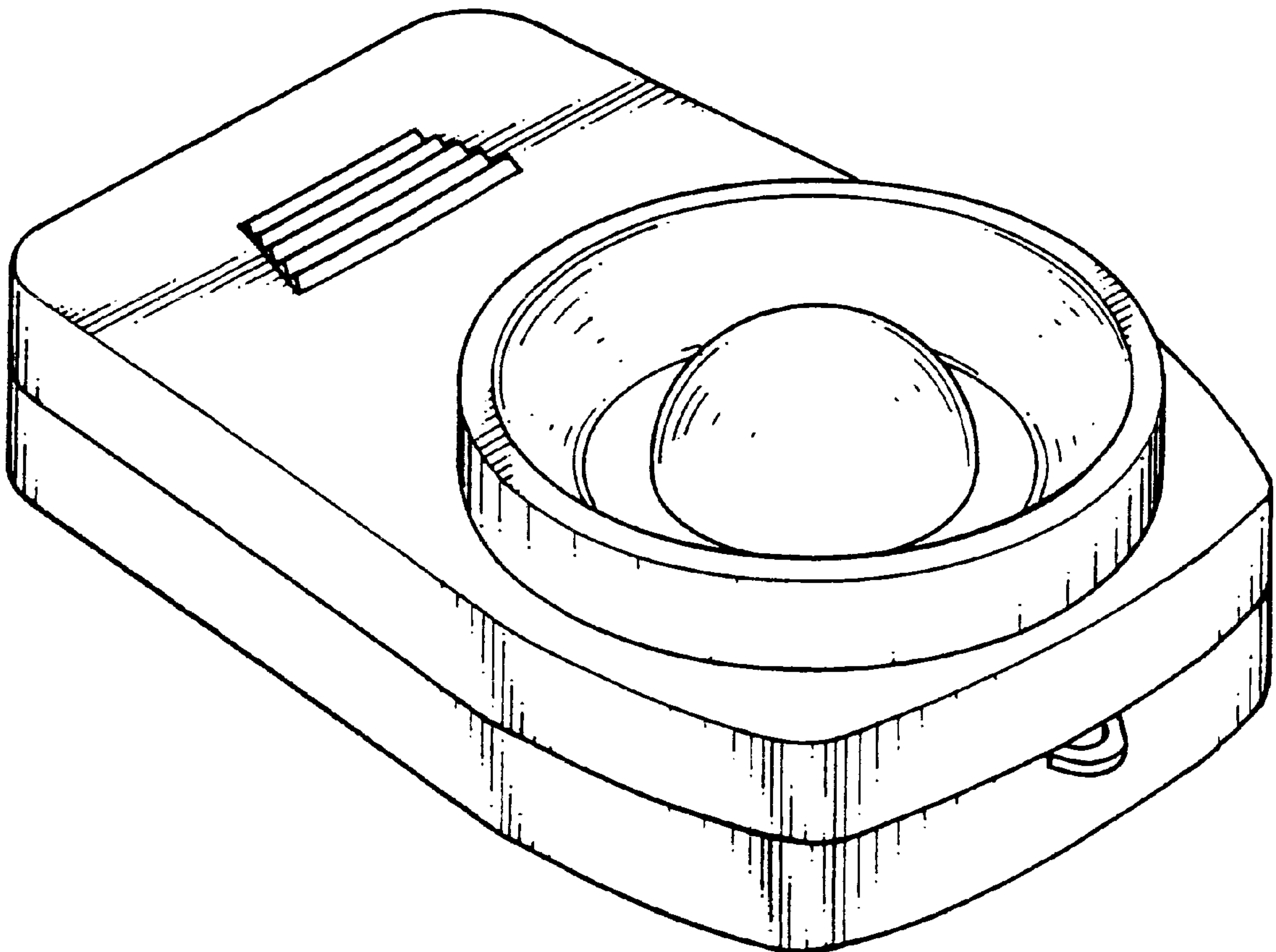
FIG. 4 is a left elevational view thereof;

FIG. 5 is a right elevational view thereof;

FIG. 6 is a top plan view thereof; and,

FIG. 7 is a bottom plan view thereof.

1 Claim, 4 Drawing Sheets



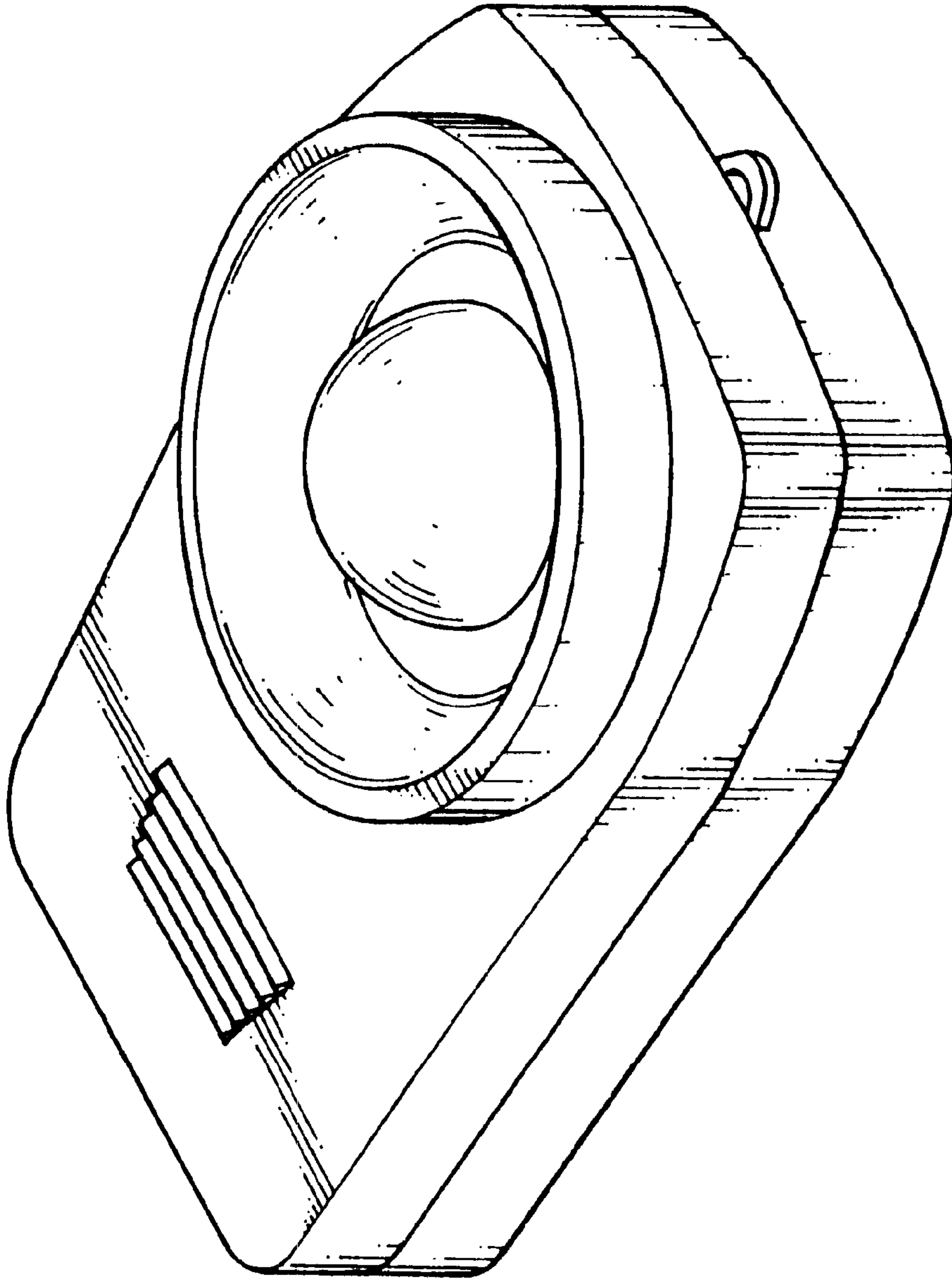


FIG.1

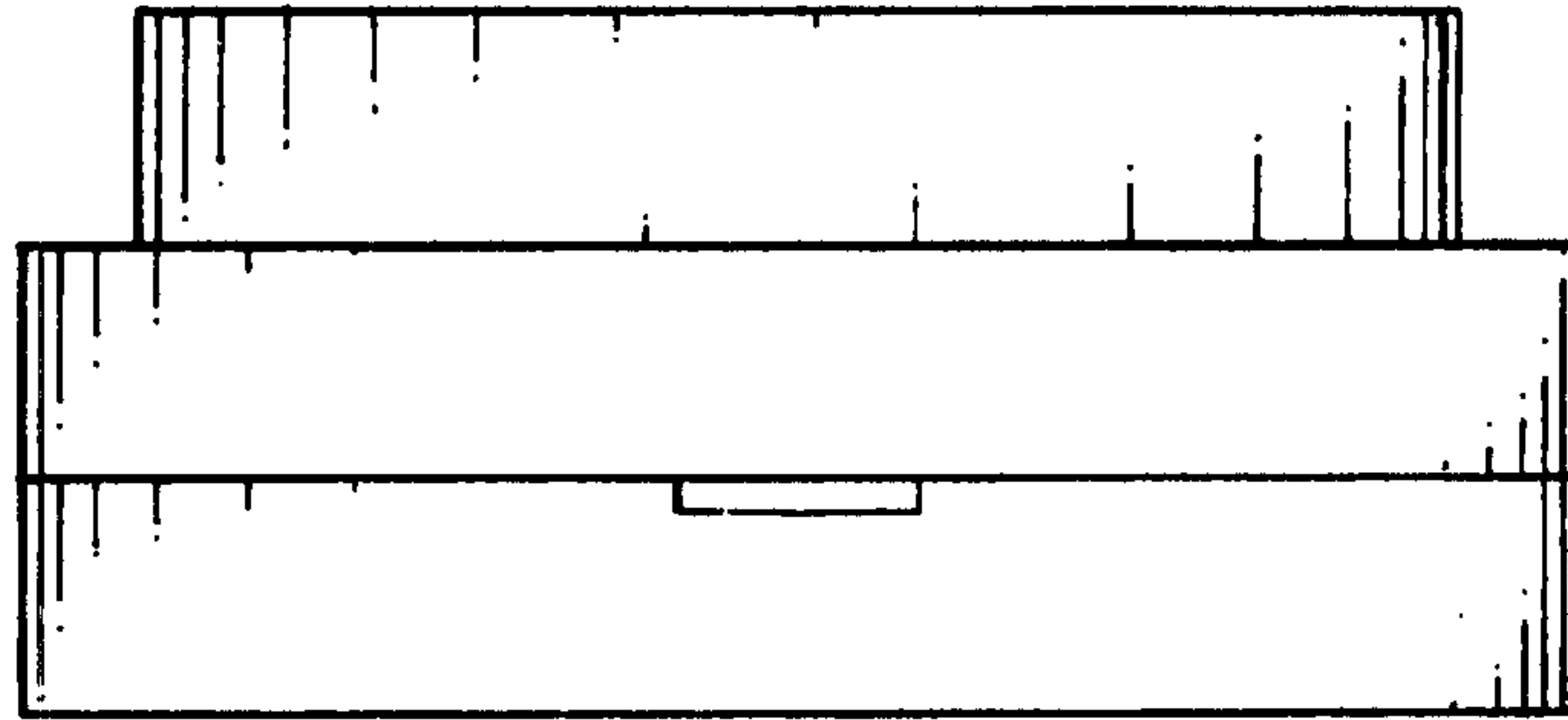


FIG. 2

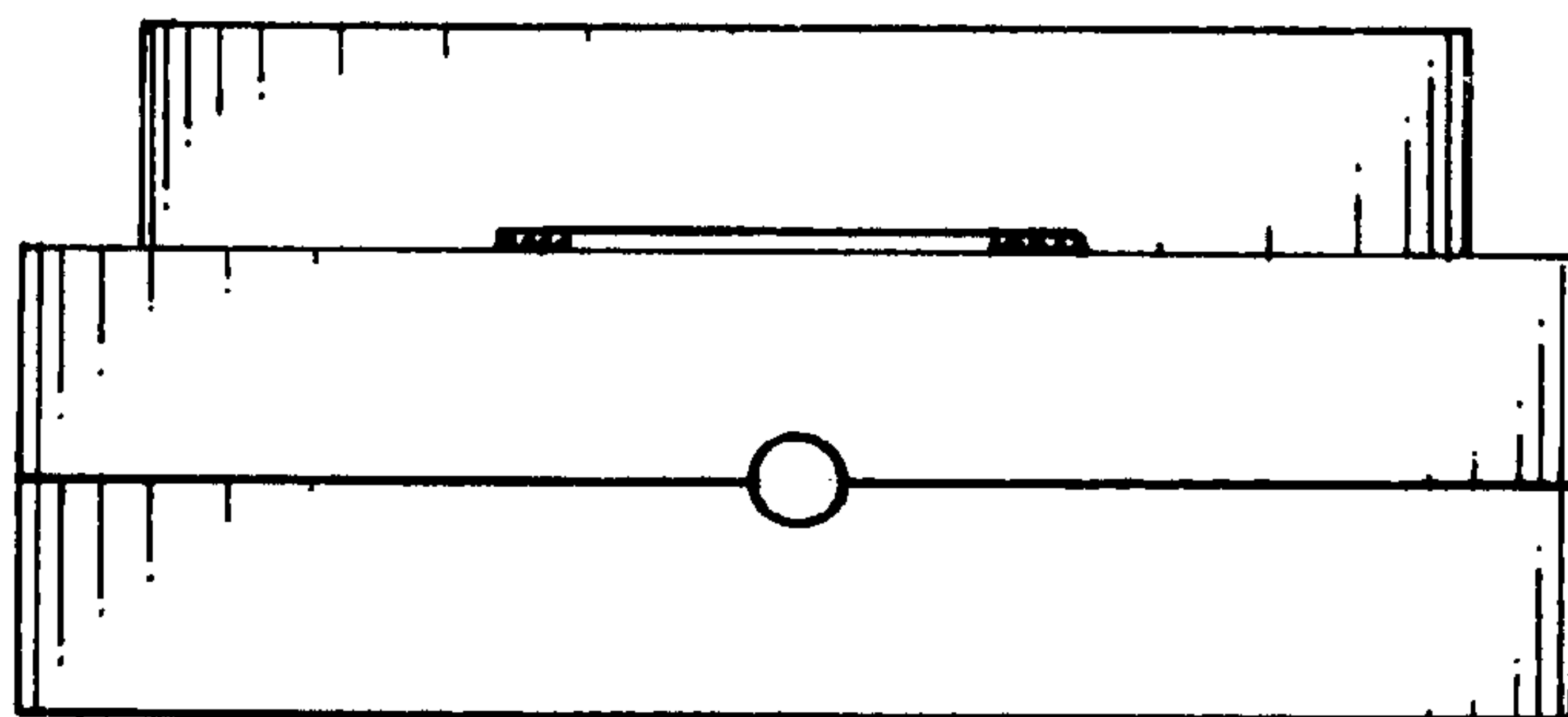


FIG. 3

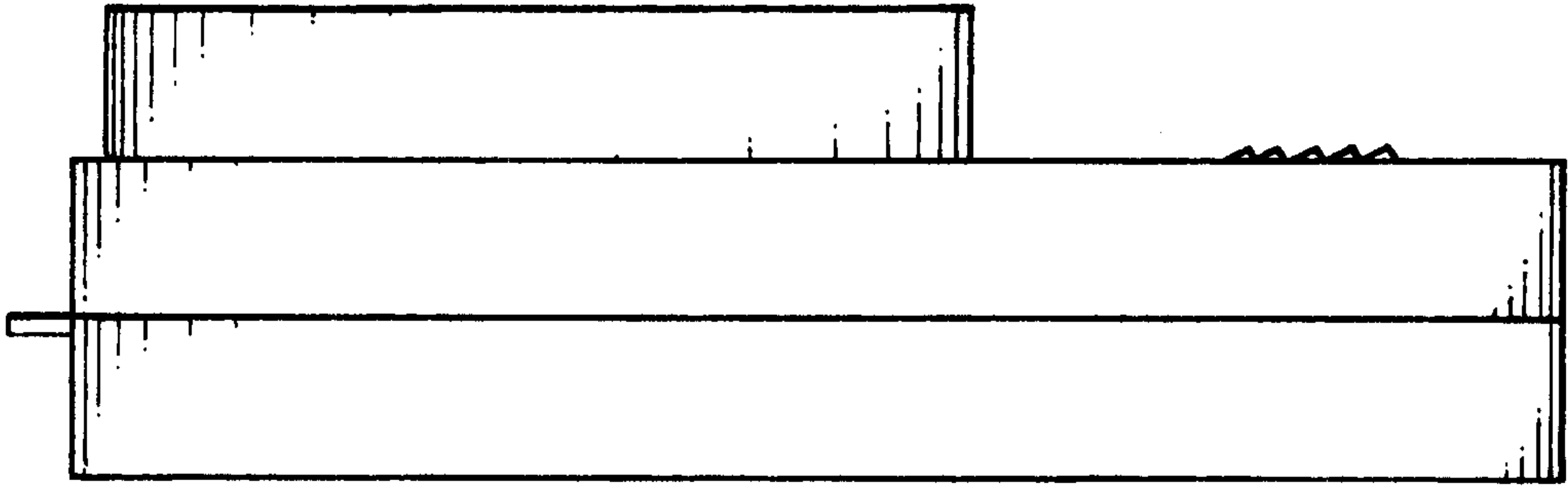


FIG.5

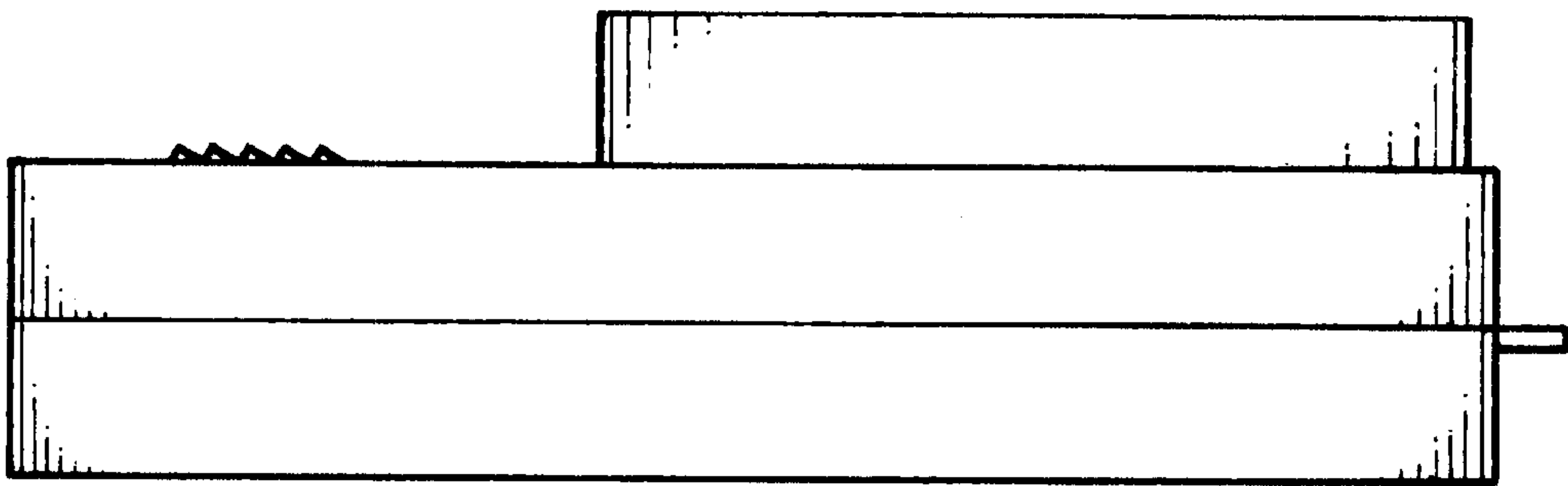


FIG.4

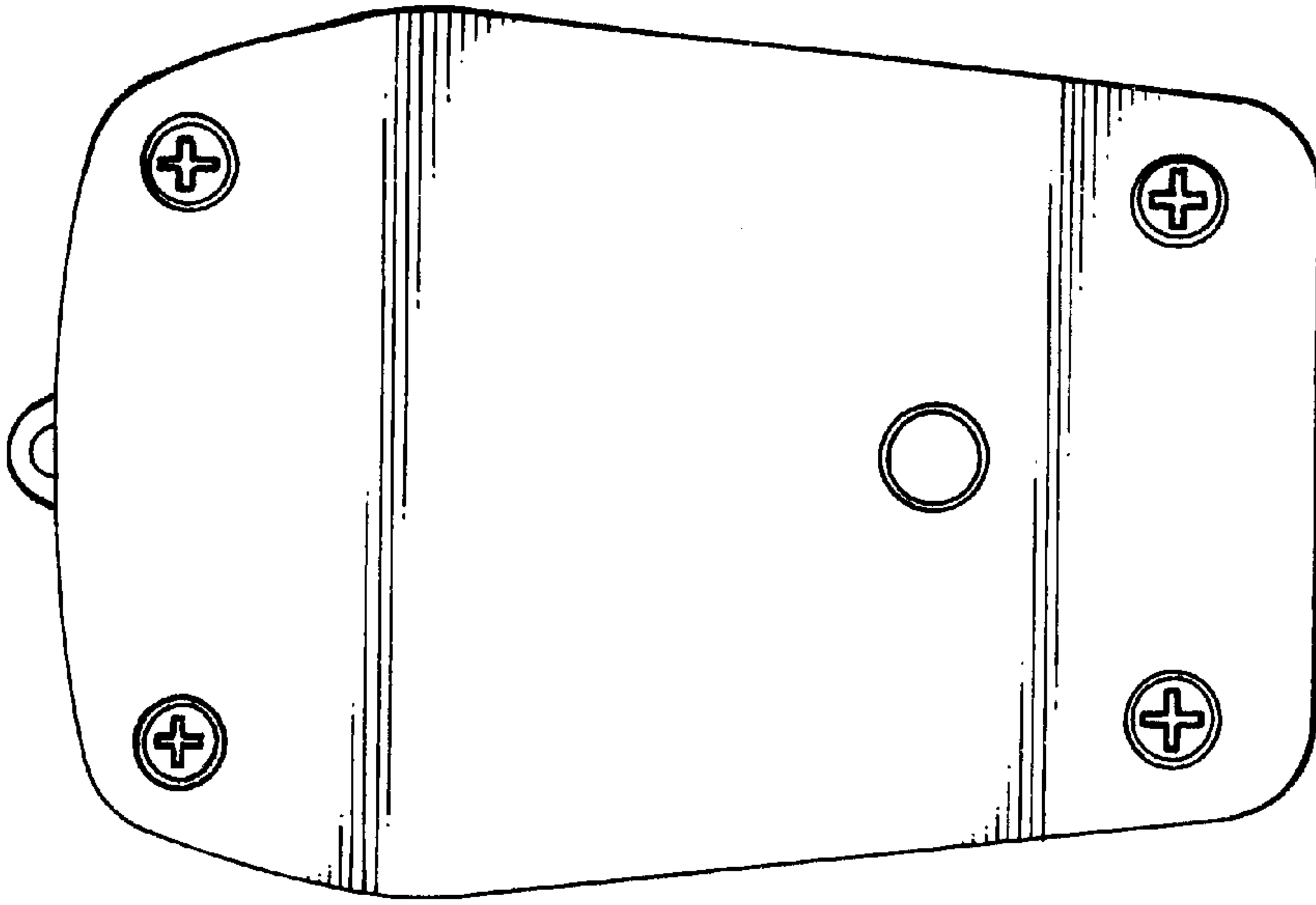


FIG. 7

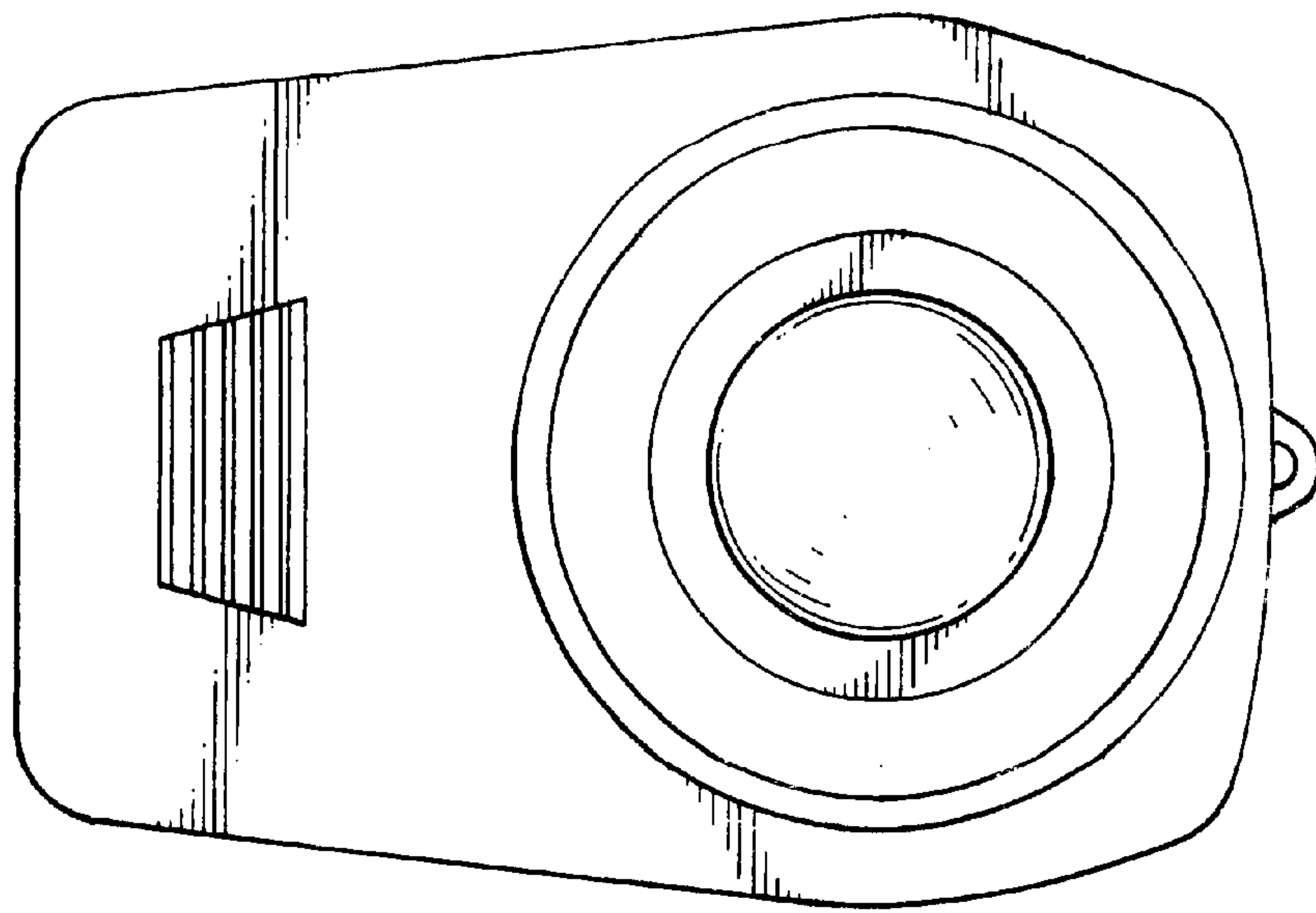


FIG. 6