



US00D469024S

(12) **United States Design Patent**
Chan

(10) **Patent No.:** **US D469,024 S**

(45) **Date of Patent:** **** Jan. 21, 2003**

(54) **CLOCK WITH LIGHT**

(75) **Inventor:** **Ski-Leung Chan, Tsuen Wan (HK)**

(73) **Assignee:** **C. C. & L Company Limited, Tsuen Wan (HK)**

(**) **Term:** **14 Years**

(21) **Appl. No.:** **29/159,621**

(22) **Filed:** **Apr. 25, 2002**

(30) **Foreign Application Priority Data**

Nov. 7, 2001 (HK) 0111697

(51) **LOC (7) Cl.** **10-01**

(52) **U.S. Cl.** **D10/5; D10/2**

(58) **Field of Search** **D10/1-40, 122-132; 368/276-277, 285, 316-317, 10; D26/38**

(56) **References Cited**

U.S. PATENT DOCUMENTS

D382,876 S * 8/1997 Yuen D14/168
D407,065 S * 3/1999 Chang D13/110

D421,659 S * 3/2000 Lei D26/38
D425,063 S * 5/2000 Takatsuka D14/168
D426,660 S * 6/2000 Yamamoto et al. D26/38
D438,314 S * 2/2001 Poon D26/38
D445,519 S * 7/2001 Burns D26/38

* cited by examiner

Primary Examiner—Nelson C. Holtje

(74) *Attorney, Agent, or Firm*—Alix, Yale & Ristas, LLP

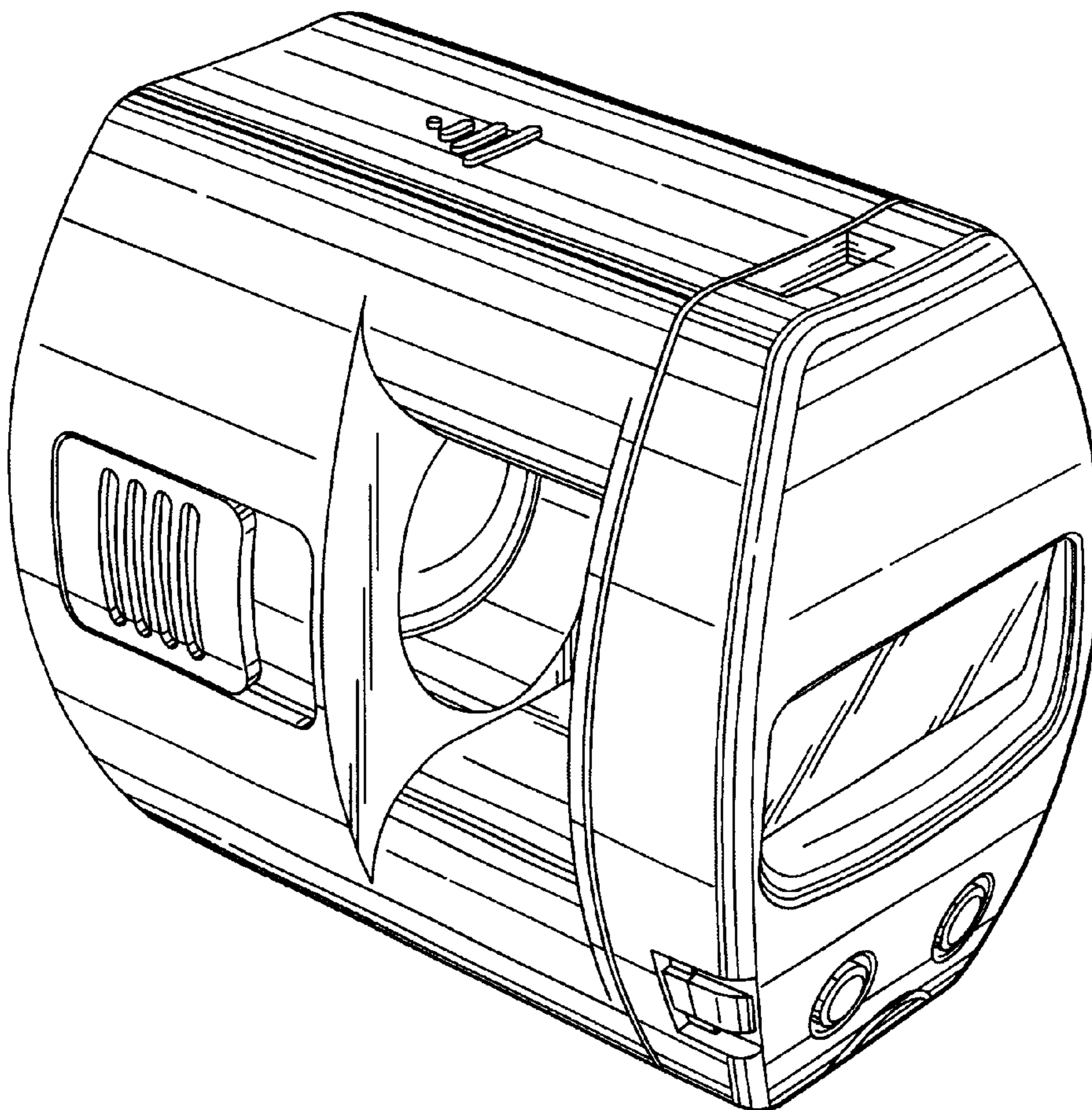
(57) **CLAIM**

The ornamental design for a clock with light, as shown and described.

DESCRIPTION

FIG. 1 is a perspective view of a clock with light;
FIG. 2 is left side elevational view thereof;
FIG. 3 is right side elevational view thereof;
FIG. 4 is rear elevational view thereof;
FIG. 5 is front elevational view thereof;
FIG. 6 is top plan view thereof; and,
FIG. 7 is bottom plan view thereof.

1 Claim, 4 Drawing Sheets



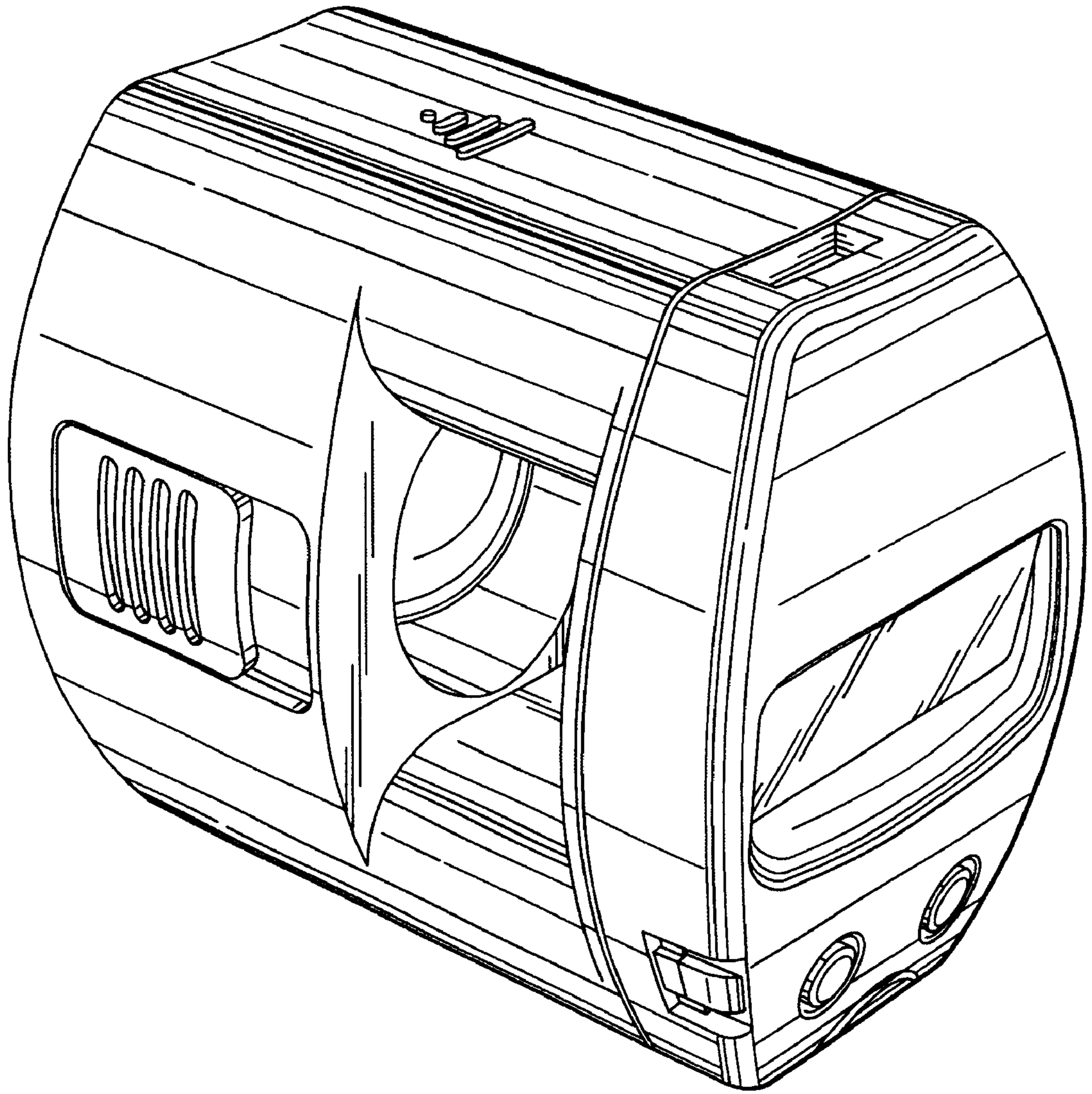


FIG. 1

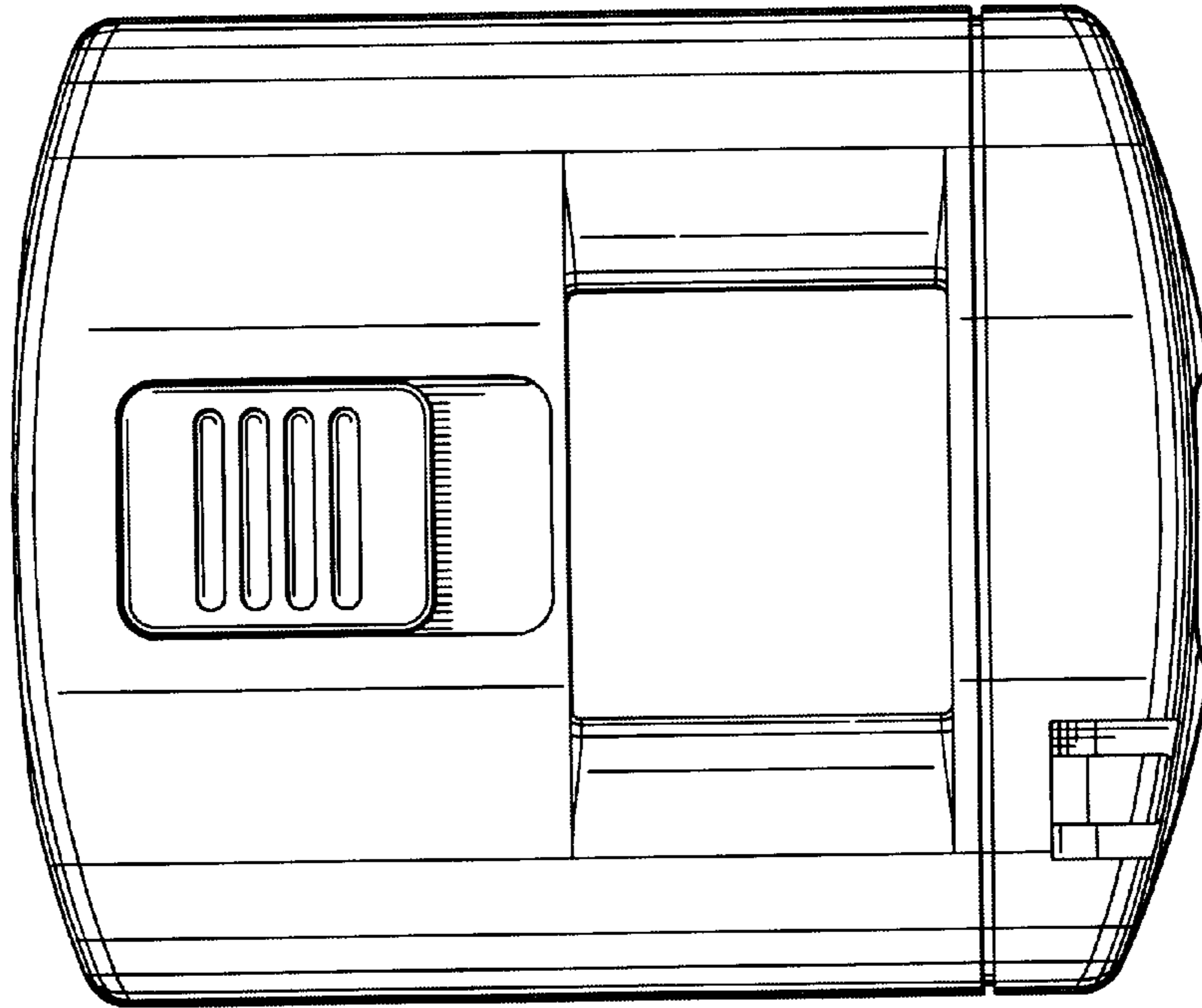


FIG. 2

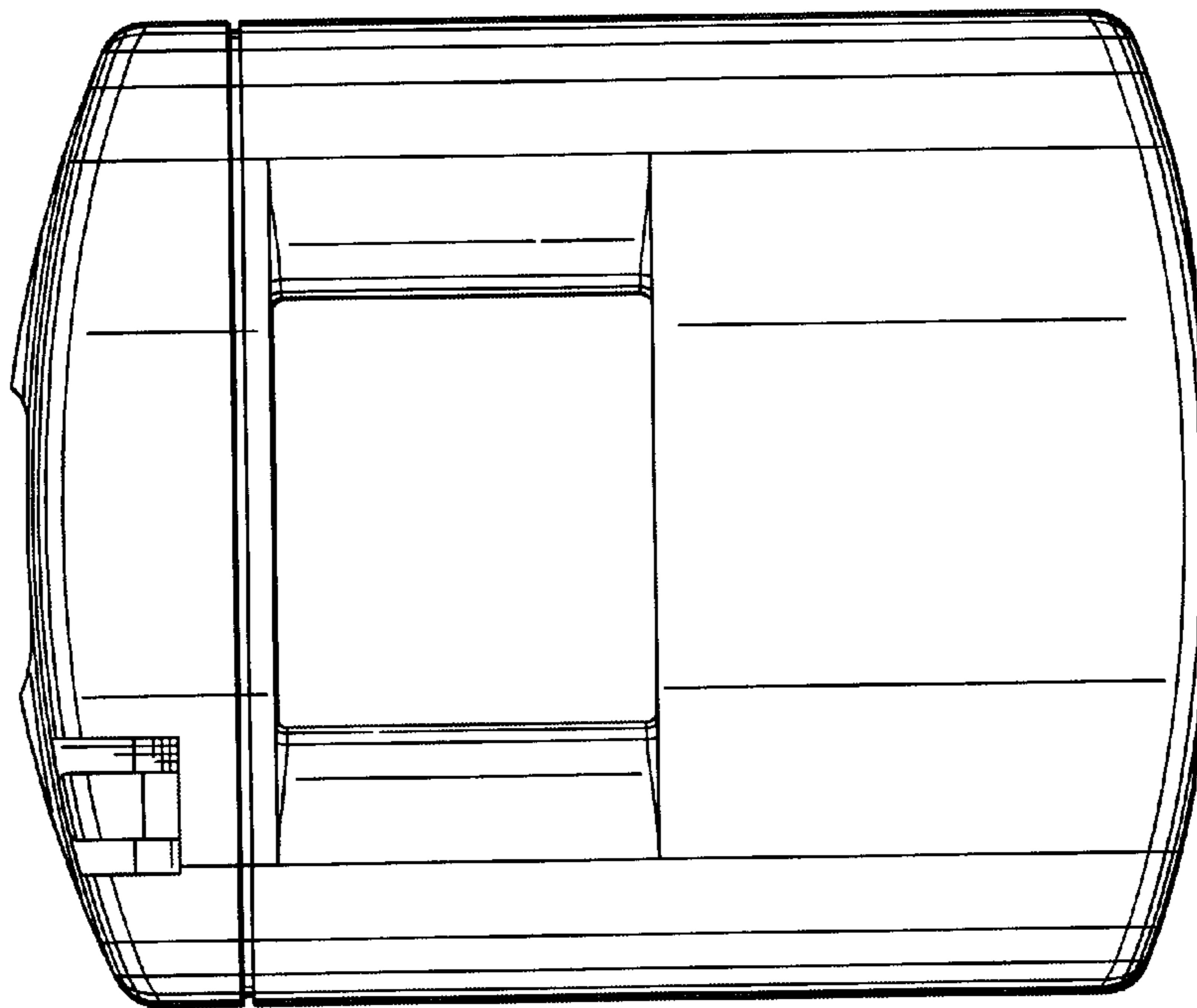


FIG. 3

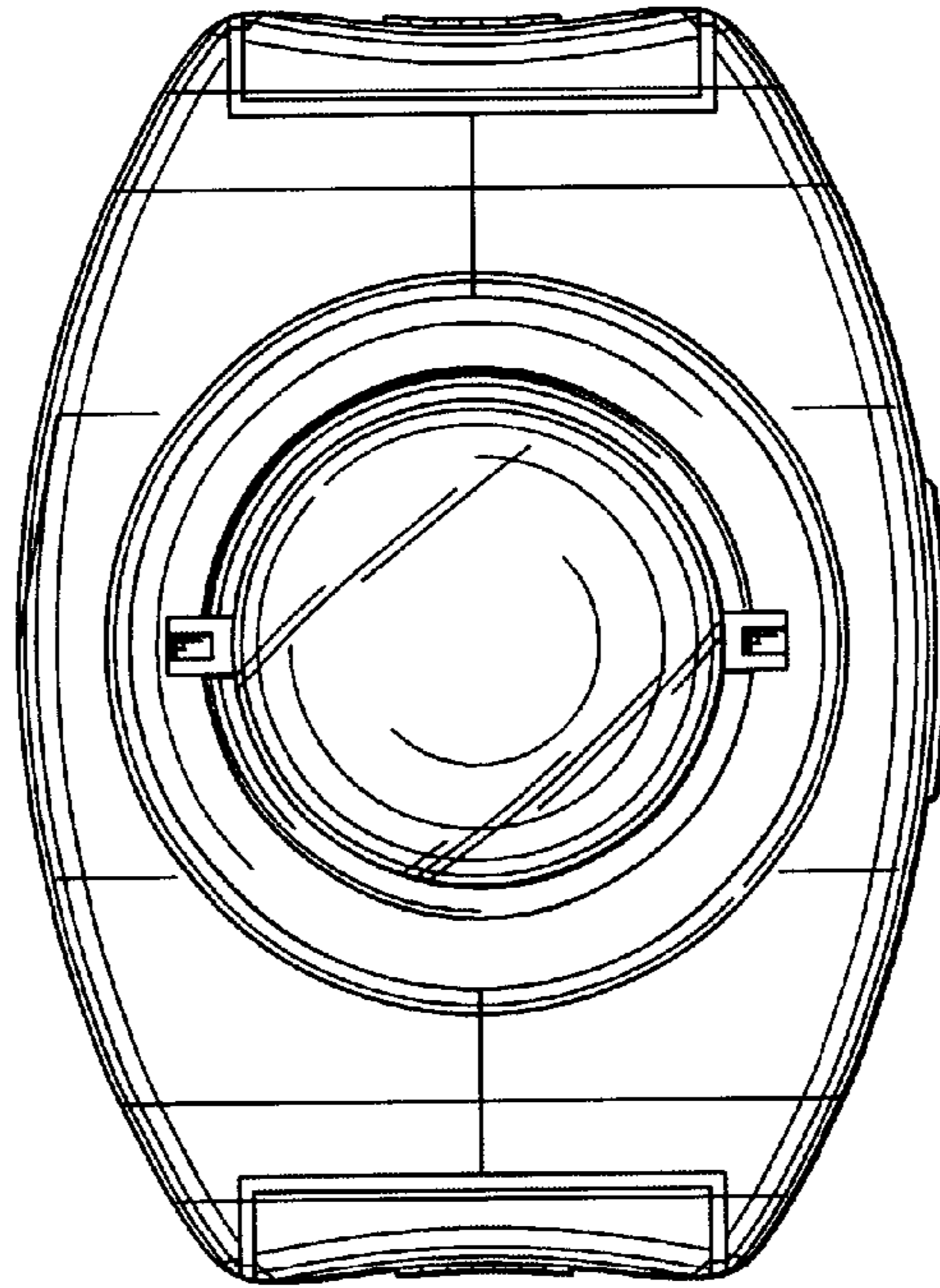


FIG. 4

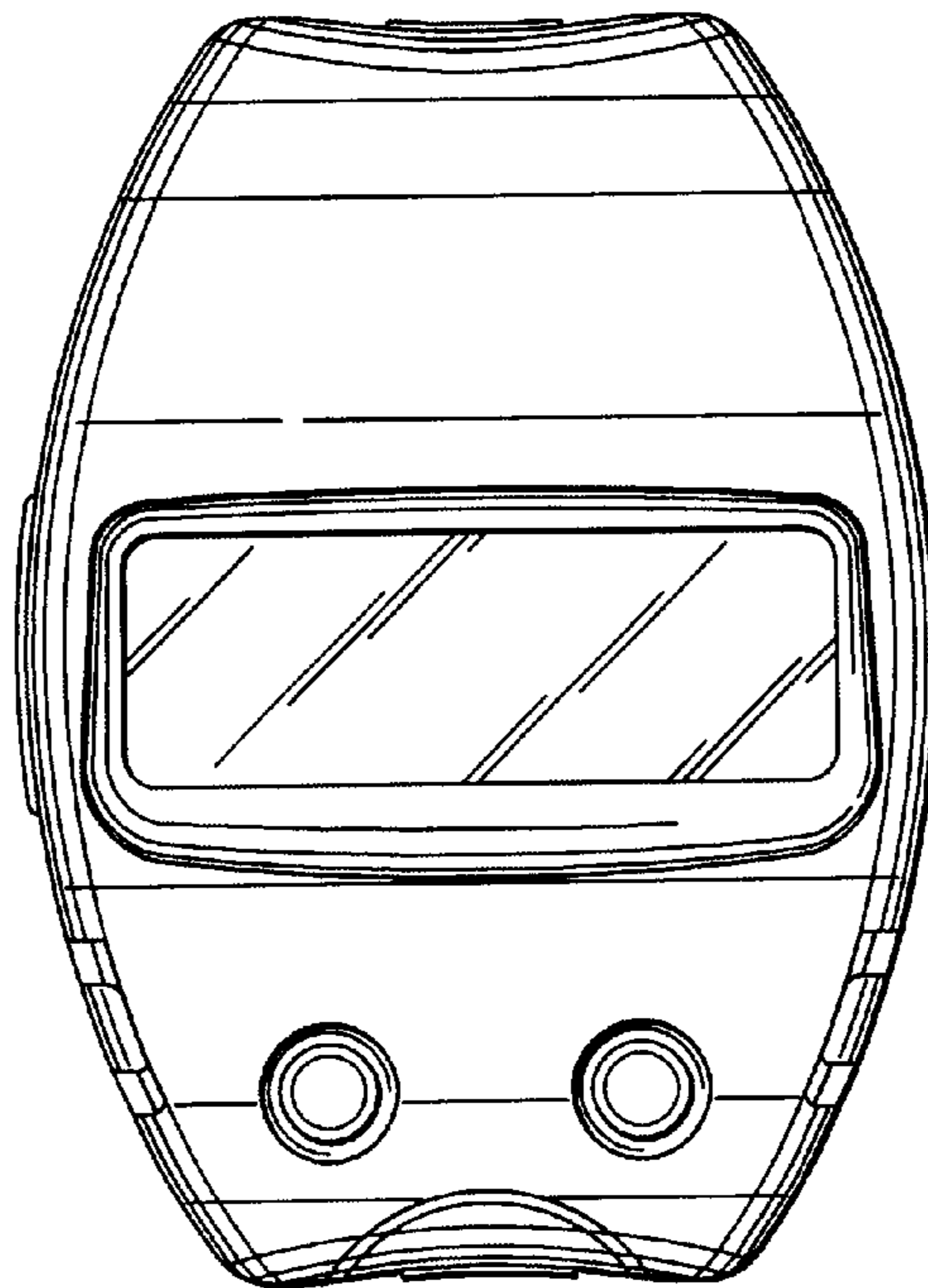


FIG. 5

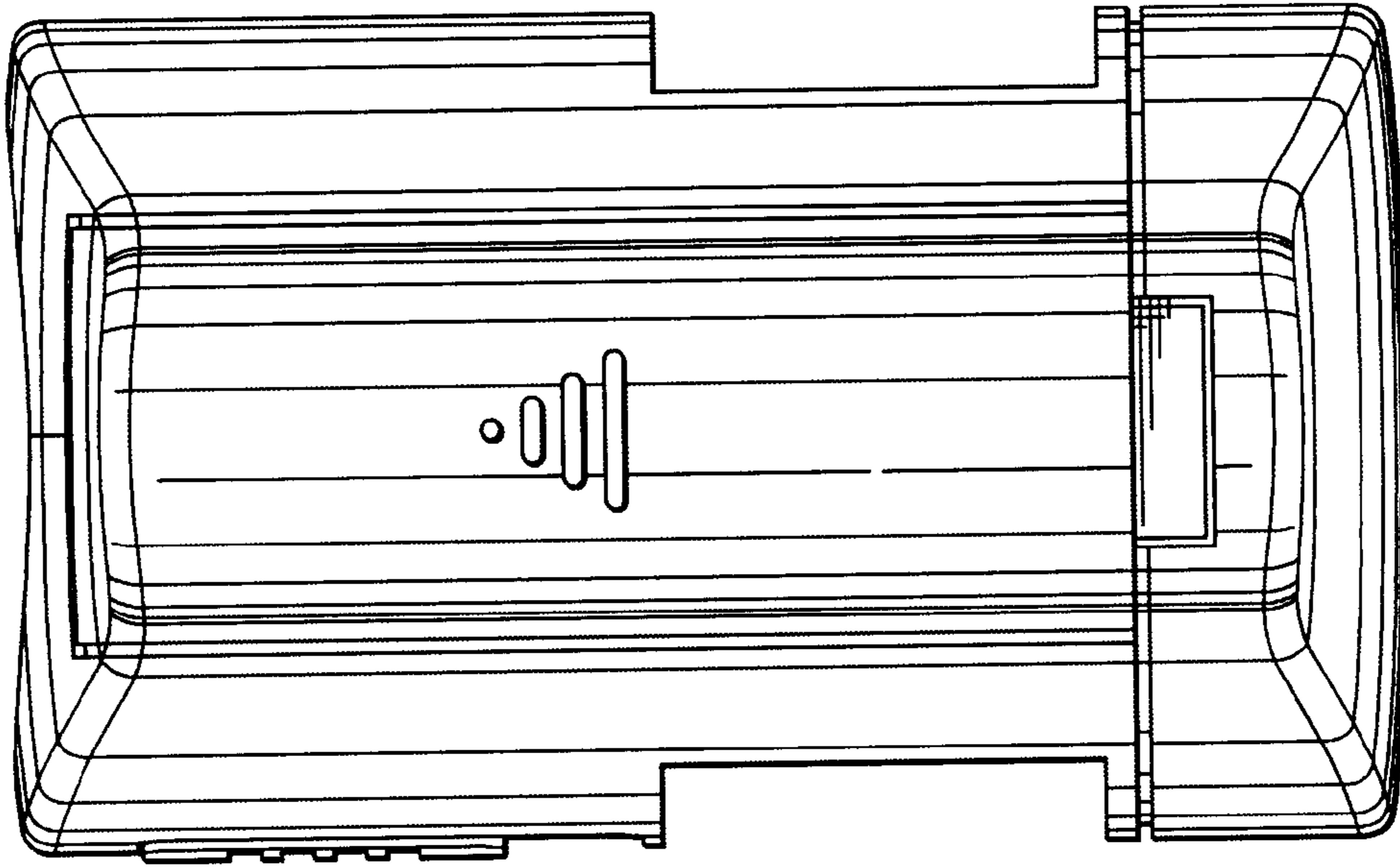


FIG. 6

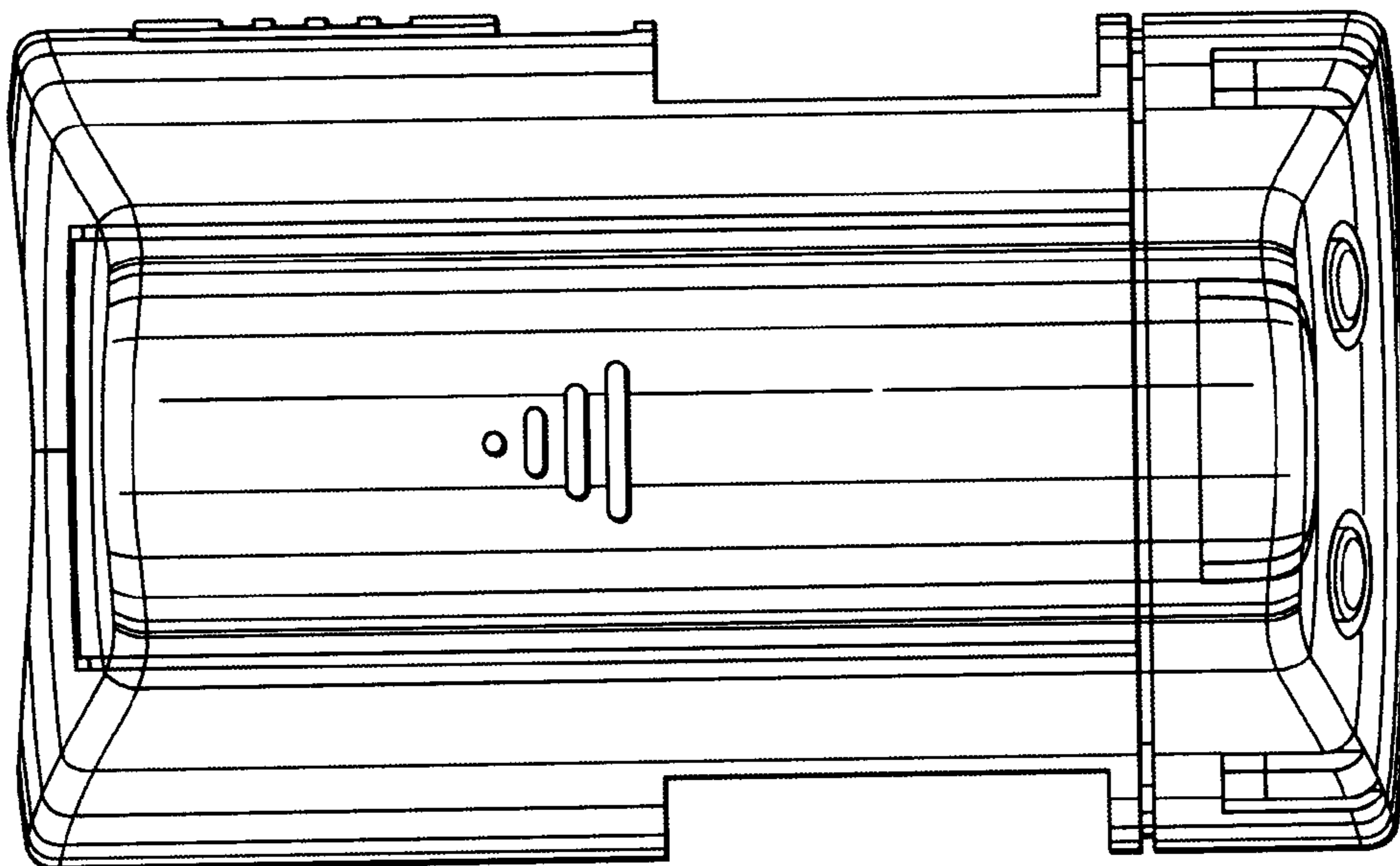


FIG. 7

UNITED STATES PATENT AND TRADEMARK OFFICE
CERTIFICATE OF CORRECTION

PATENT NO. : Des. 469,024 S
DATED : January 21, 2003
INVENTOR(S) : Chan

Page 1 of 1

It is certified that error appears in the above-identified patent and that said Letters Patent is hereby corrected as shown below:

Title page,

Item [75], Inventor, delete "**Ski-Leung Chan**" and insert -- **Sik-Leung Chan** --.

Signed and Sealed this

Twentieth Day of May, 2003

A handwritten signature in black ink, appearing to read "James E. Rogan", written over a horizontal line.

JAMES E. ROGAN
Director of the United States Patent and Trademark Office