



US00D469018S

(12) **United States Design Patent**
Allanson et al.

(10) **Patent No.:** **US D469,018 S**

(45) **Date of Patent:** **** Jan. 21, 2003**

(54) **STORAGE AND DISPENSING CARAFE**

D267,473 S * 1/1983 Telzrow D9/374
D314,139 S * 1/1991 Ambasz D9/375
D356,951 S * 4/1995 Mitchell et al. D9/527
D363,215 S * 10/1995 Powell et al. D9/301

(75) Inventors: **Gary R. Allanson**, Millersville, MD (US); **Ann Marie Sullivan**, Waltham, MA (US); **Thomas C. Merle**, Ashland, MA (US); **John A. MacNeil**, Melrose, MA (US); **John Gundlach**, Acton, MA (US); **John Costello**, Wellesley, MA (US)

* cited by examiner

Primary Examiner—Ted Shooman

Assistant Examiner—Daniel Bui

(74) *Attorney, Agent, or Firm*—Whiteford, Taylor & Preston, LLP; Gregory M. Stone; Jeffrey C. Maynard

(73) Assignee: **International Dispensing Corp.**, Millersville, MD (US)

(57) **CLAIM**

(**) Term: **14 Years**

The ornamental design for a storage and dispensing carafe, as shown and described.

(21) Appl. No.: **29/140,336**

DESCRIPTION

(22) Filed: **Apr. 17, 2001**

FIG. 1 is front, perspective view of a storage and dispensing carafe manifesting the invention.

(51) **LOC (7) Cl.** **09-02**

FIG. 2 is a front elevation of the storage and dispensing carafe illustrated in FIG. 1.

(52) **U.S. Cl.** **D9/527; D9/523**

FIG. 3 is a rear elevation of the storage and dispensing carafe illustrated in FIGS. 1 and 2.

(58) **Field of Search** D9/434, 439, 440, D9/443, 447, 499, 516-517, 523, 526-527, 528, 530-531, 540, 543-544, 545, 549, 575, 637; 206/527; 215/200, 235, 316, 329, 400; 220/200, 260, 288, 289, 890; D7/312, 321

FIG. 4 is a left side (with reference to the carafe positioned as shown in FIG. 2) elevation of the storage and dispensing carafe illustrated in FIGS. 1 through 3.

FIG. 5 is a right side (with reference to the carafe positioned as shown in FIG. 2) elevation of the storage and dispensing carafe illustrated in FIGS. 1 through 4.

(56) **References Cited**

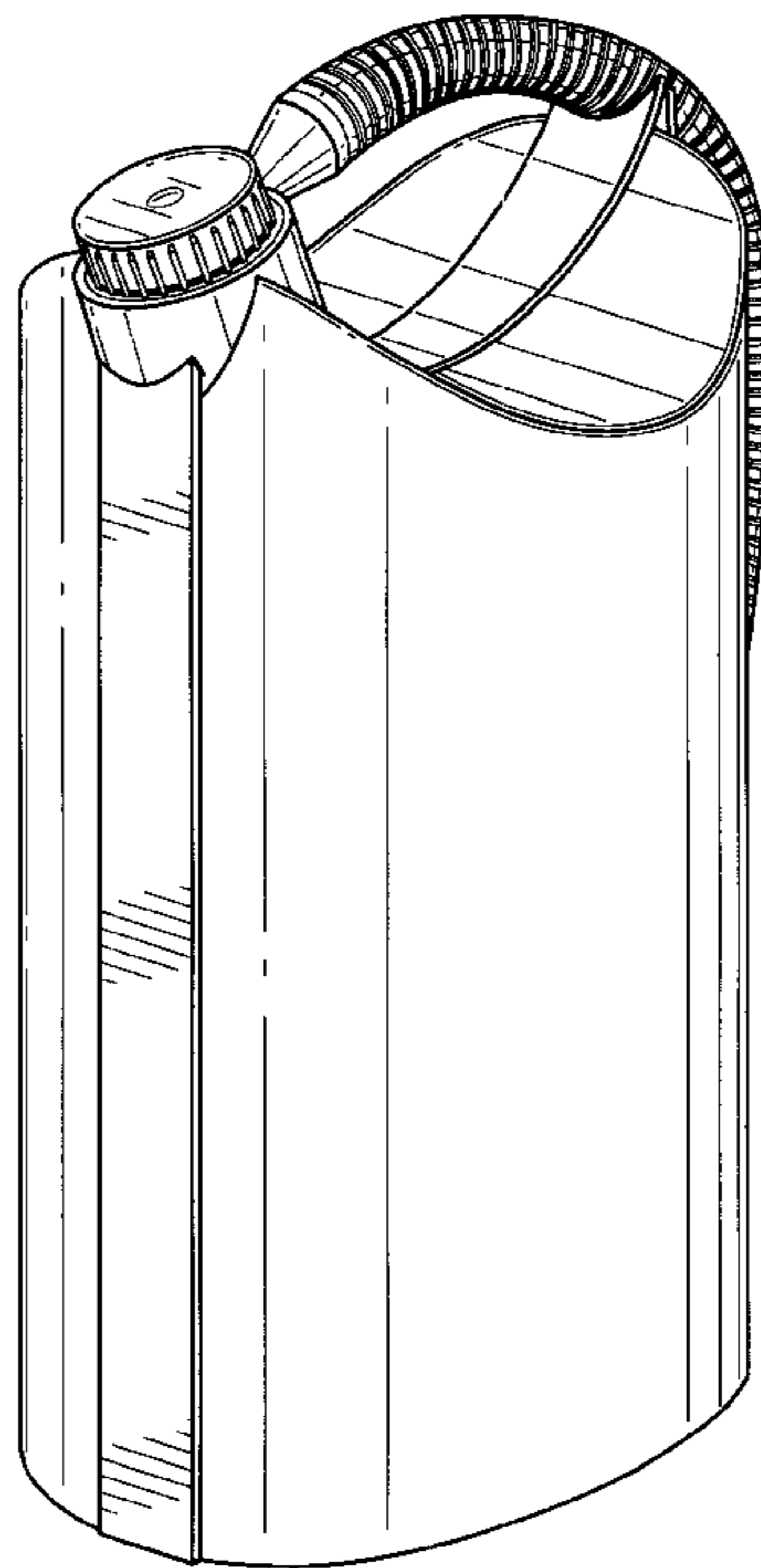
U.S. PATENT DOCUMENTS

D44,732 S * 10/1913 Redington
D173,861 S * 1/1955 Sidenstick D58/25
D187,006 S * 1/1960 Warden et al. D58/8
D192,580 S * 4/1962 Sheltmire D58/8

FIG. 6 is a top view of the storage and dispensing carafe illustrated in FIGS. 1 through 5; and,

FIG. 7 is a bottom view of the storage and dispensing carafe illustrated in FIGS. 1 through 6.

1 Claim, 6 Drawing Sheets



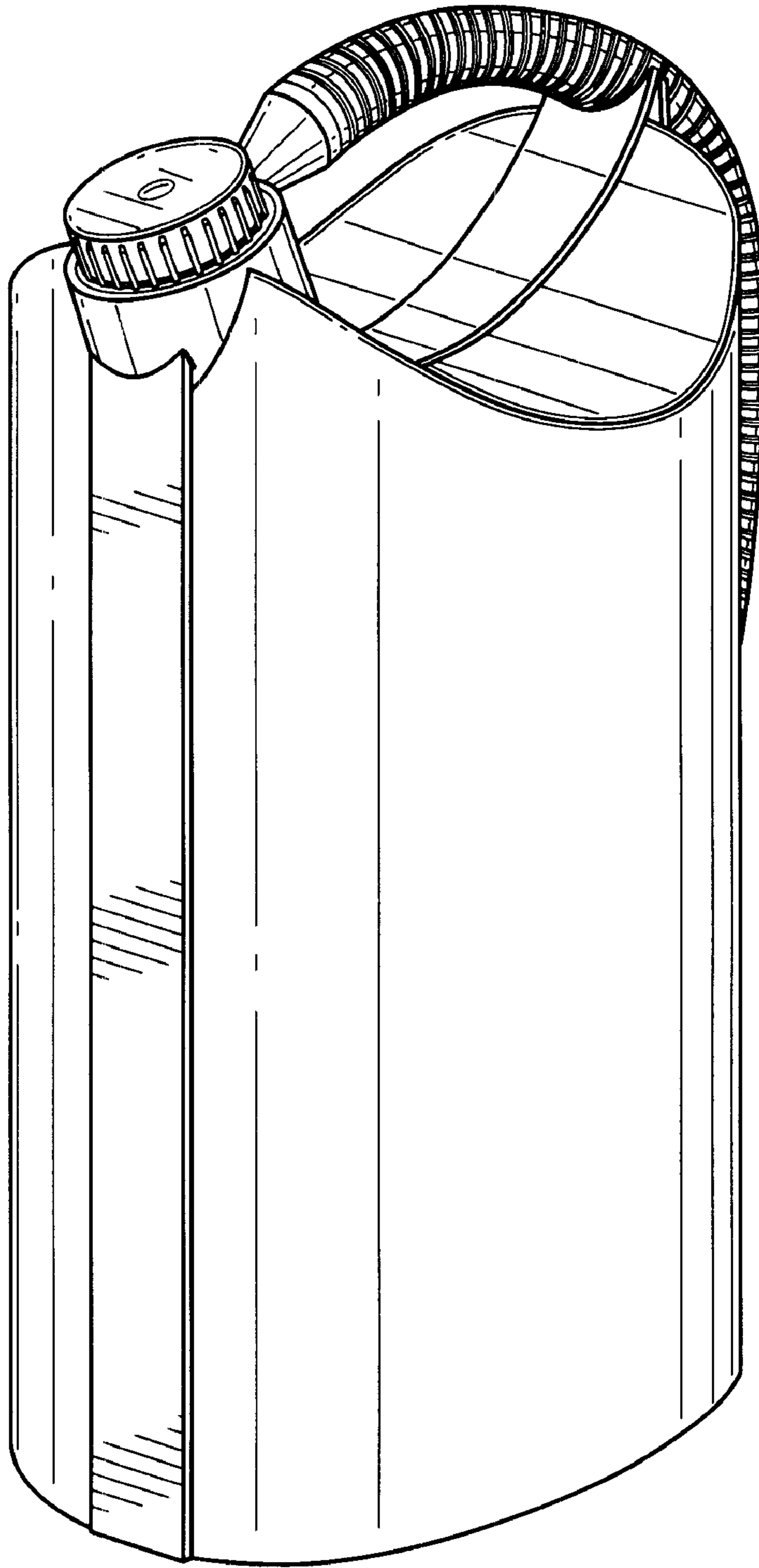


FIG. 1

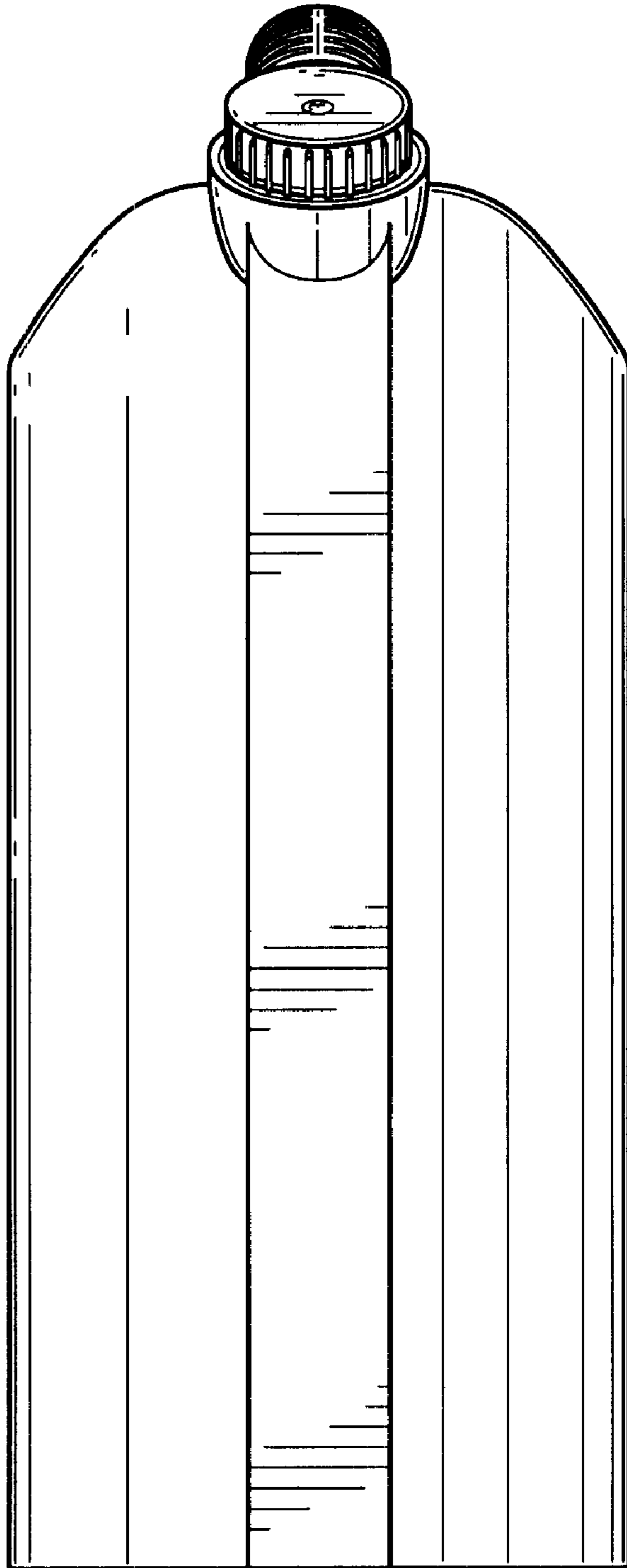


FIG. 2

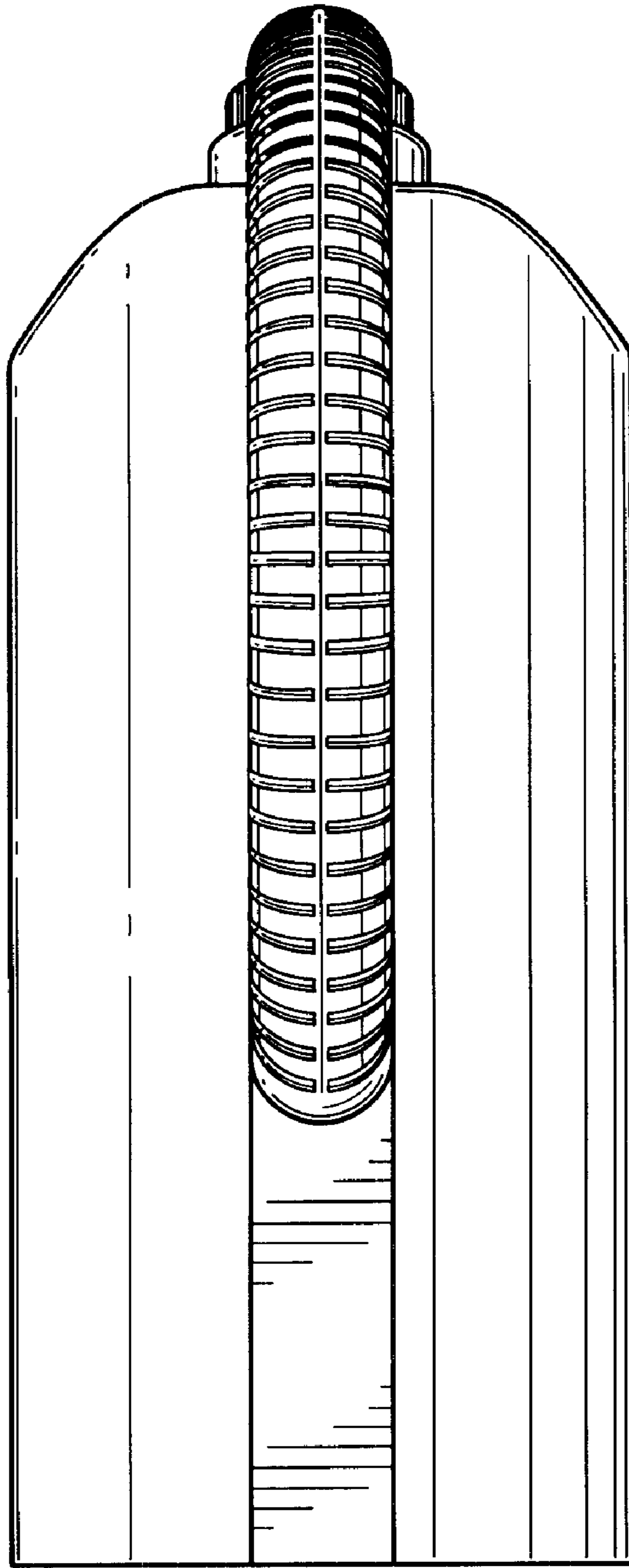


FIG. 3

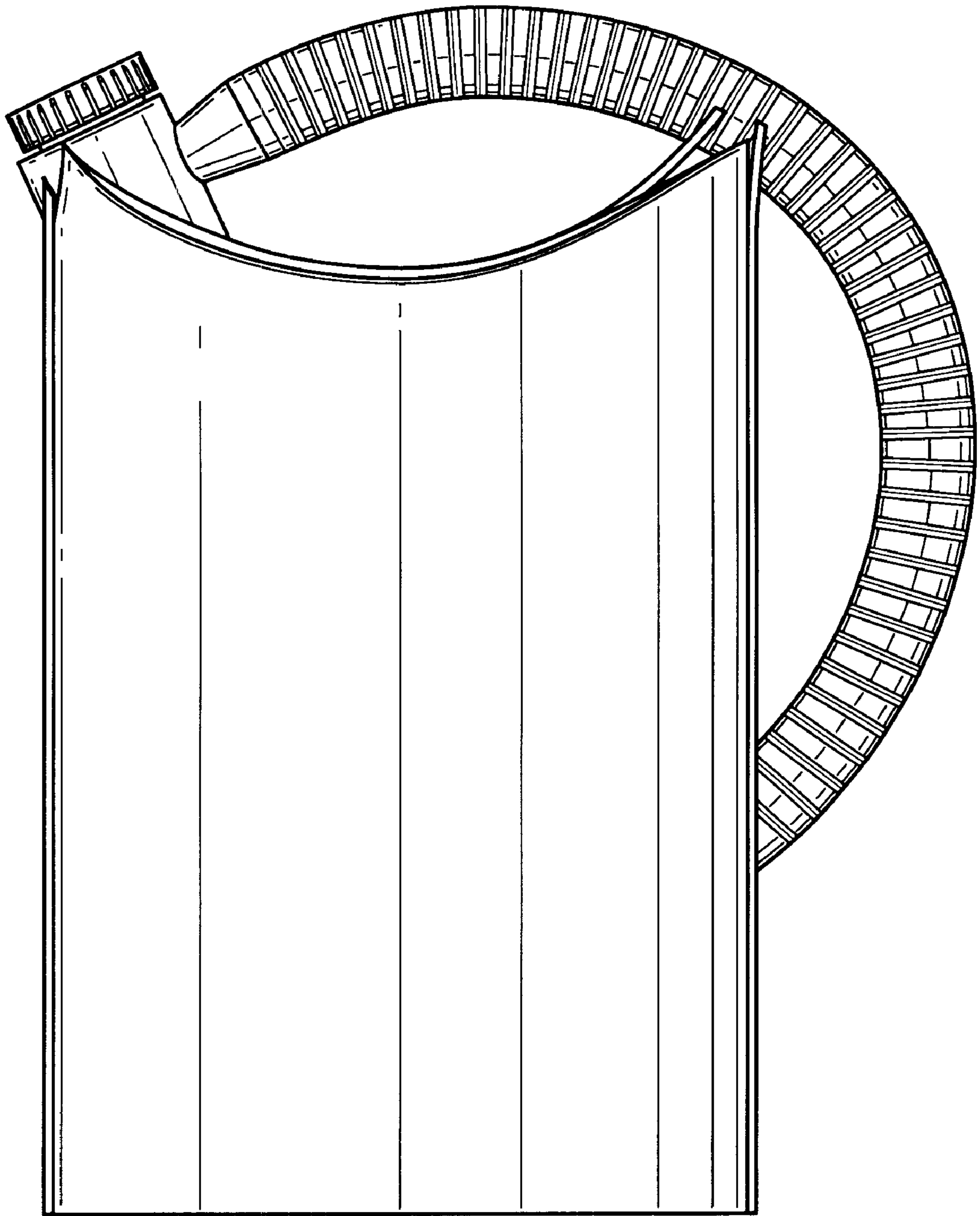


FIG. 4

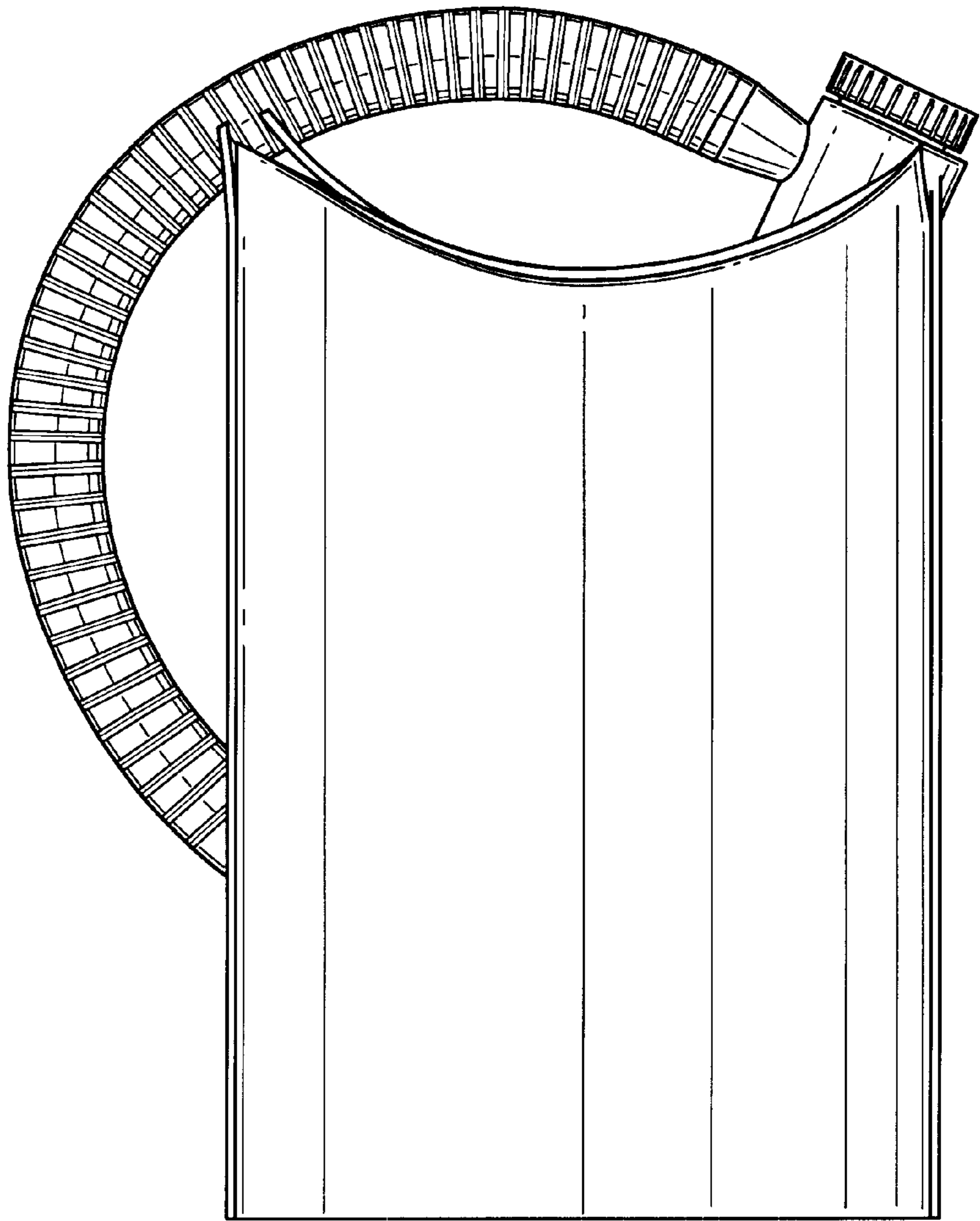


FIG. 5

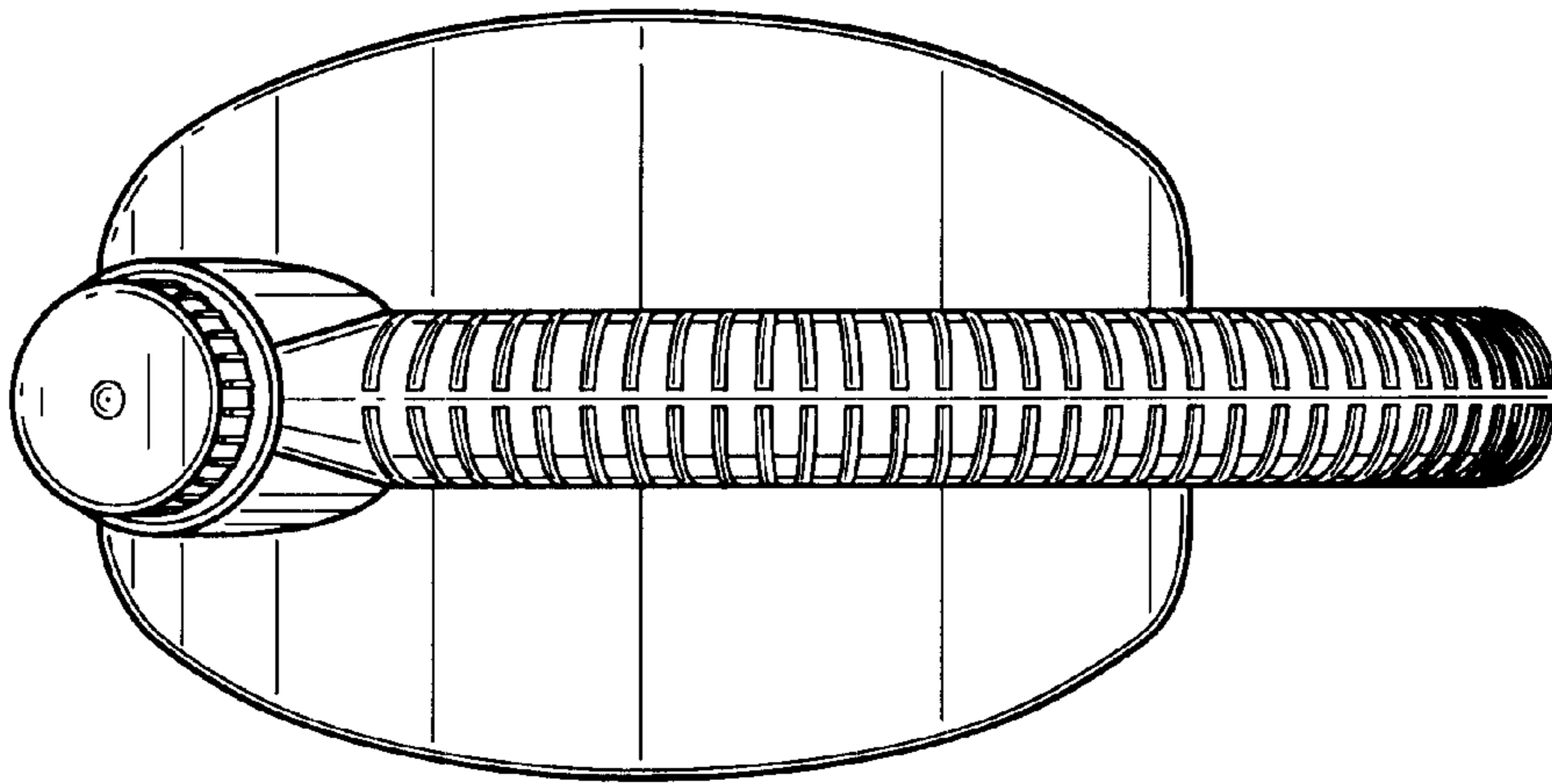


FIG. 6

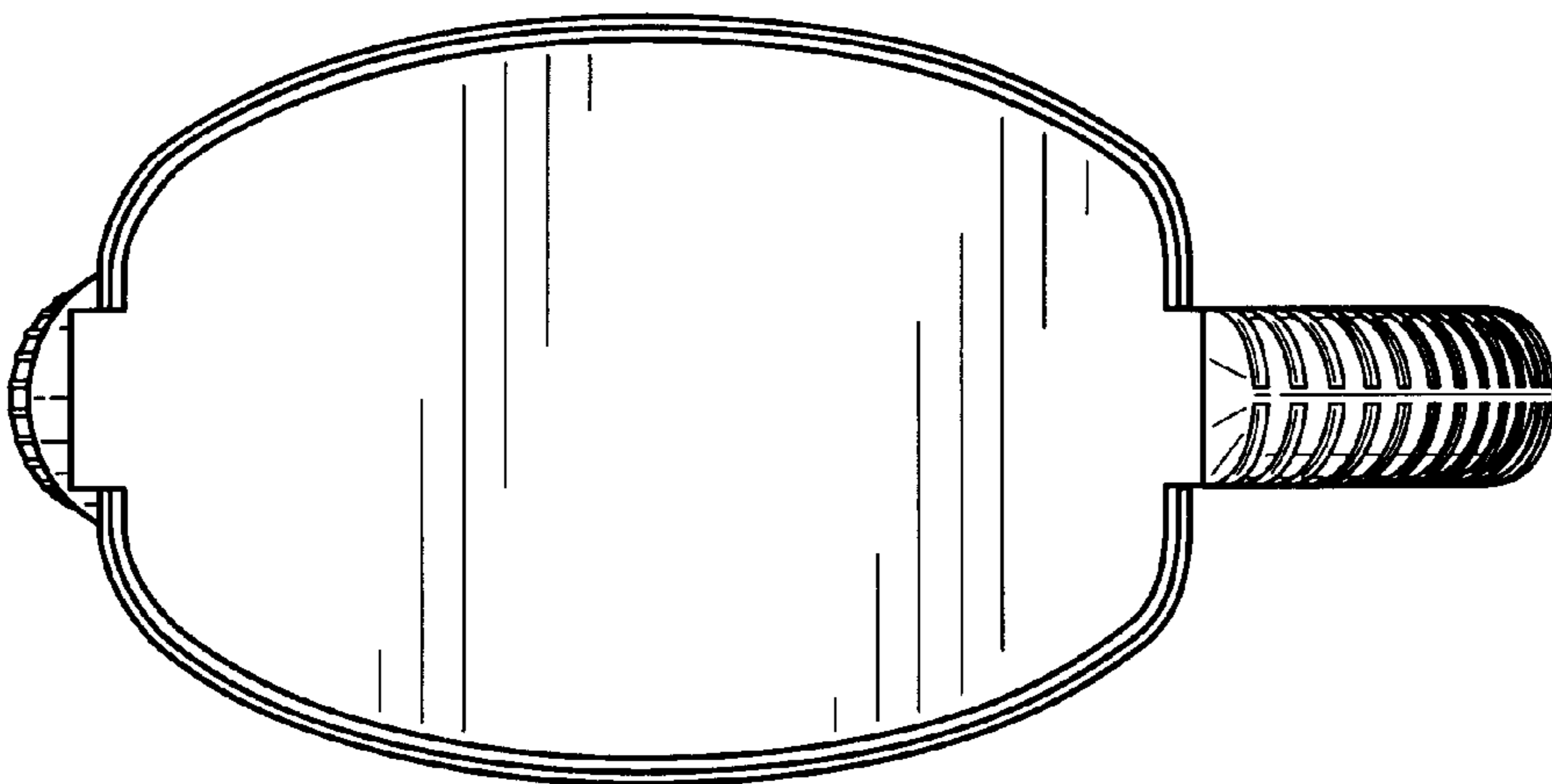


FIG. 7