



US00D469016S

(12) **United States Design Patent**
Gambino

(10) **Patent No.:** **US D469,016 S**

(45) **Date of Patent:** **** Jan. 21, 2003**

(54) **FOOD CONTAINER LID SUPPORT WITH COMPARTMENT**

(76) **Inventor:** **Anthony Gambino**, 51 Thornycroft Ave., Staten Island, NY (US) 10312

(**) **Term:** **14 Years**

(21) **Appl. No.:** **29/154,619**

(22) **Filed:** **Jan. 25, 2002**

(51) **LOC (7) Cl.** **09-07**

(52) **U.S. Cl.** **D9/499; D9/434**

(58) **Field of Search** **D9/434, 499; D7/601; 206/521, 525, 541**

(56) **References Cited**

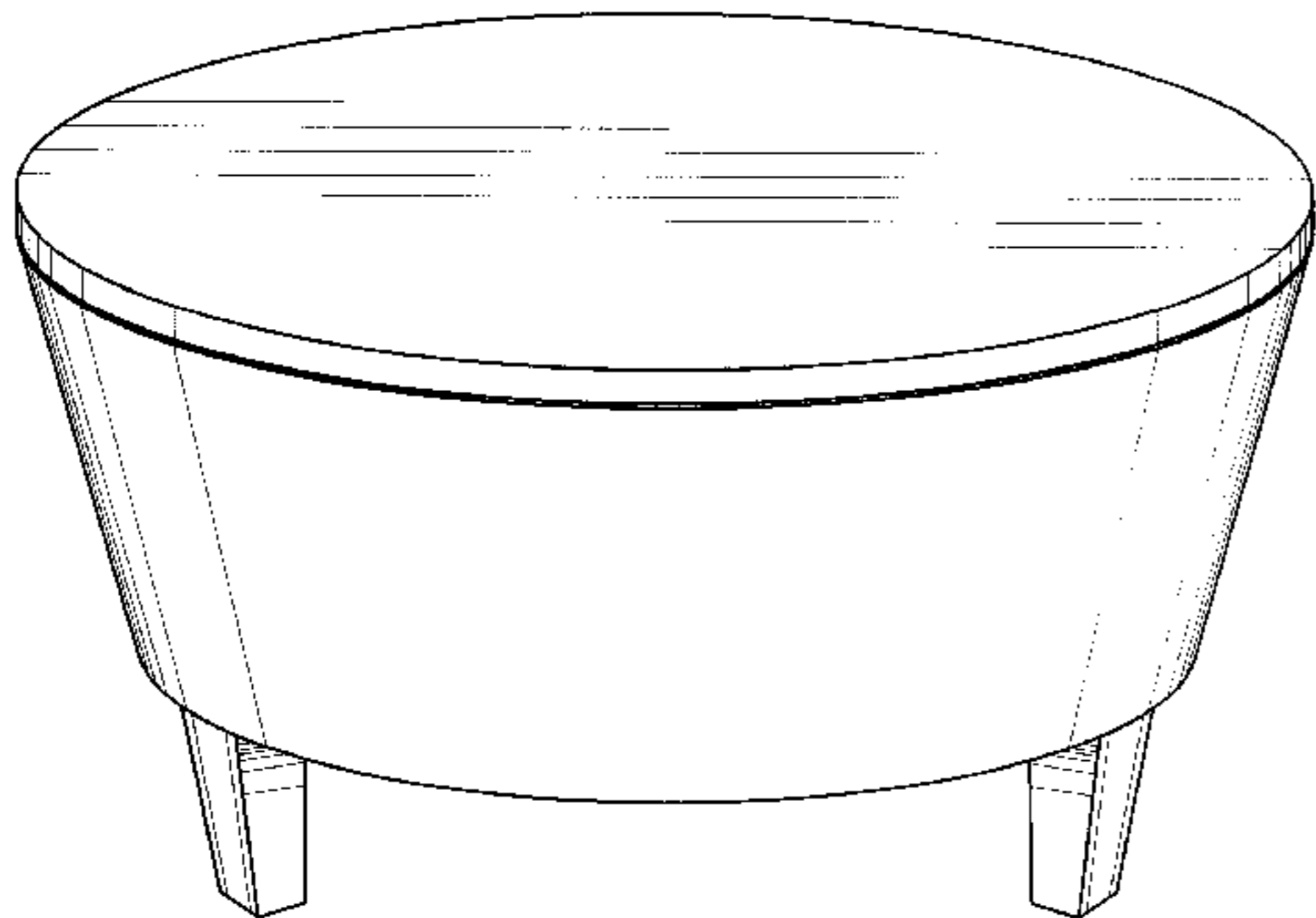
U.S. PATENT DOCUMENTS

4,498,586 A * 2/1985 Vitale 206/525
5,077,050 A * 12/1991 Wall 206/521

* cited by examiner

Primary Examiner—Dominic Simone

(74) *Attorney, Agent, or Firm*—Goldstein & Lavas, P.C.



(57) **CLAIM**

The ornamental design for a food container lid support with compartment, as shown and described.

DESCRIPTION

FIG. 1 is a perspective view of a food container lid support with compartment.

FIG. 2 is a front elevational view thereof.

FIG. 3 is a rear elevational view thereof.

FIG. 4 is a left side elevational view thereof.

FIG. 5 is a right side elevational view thereof.

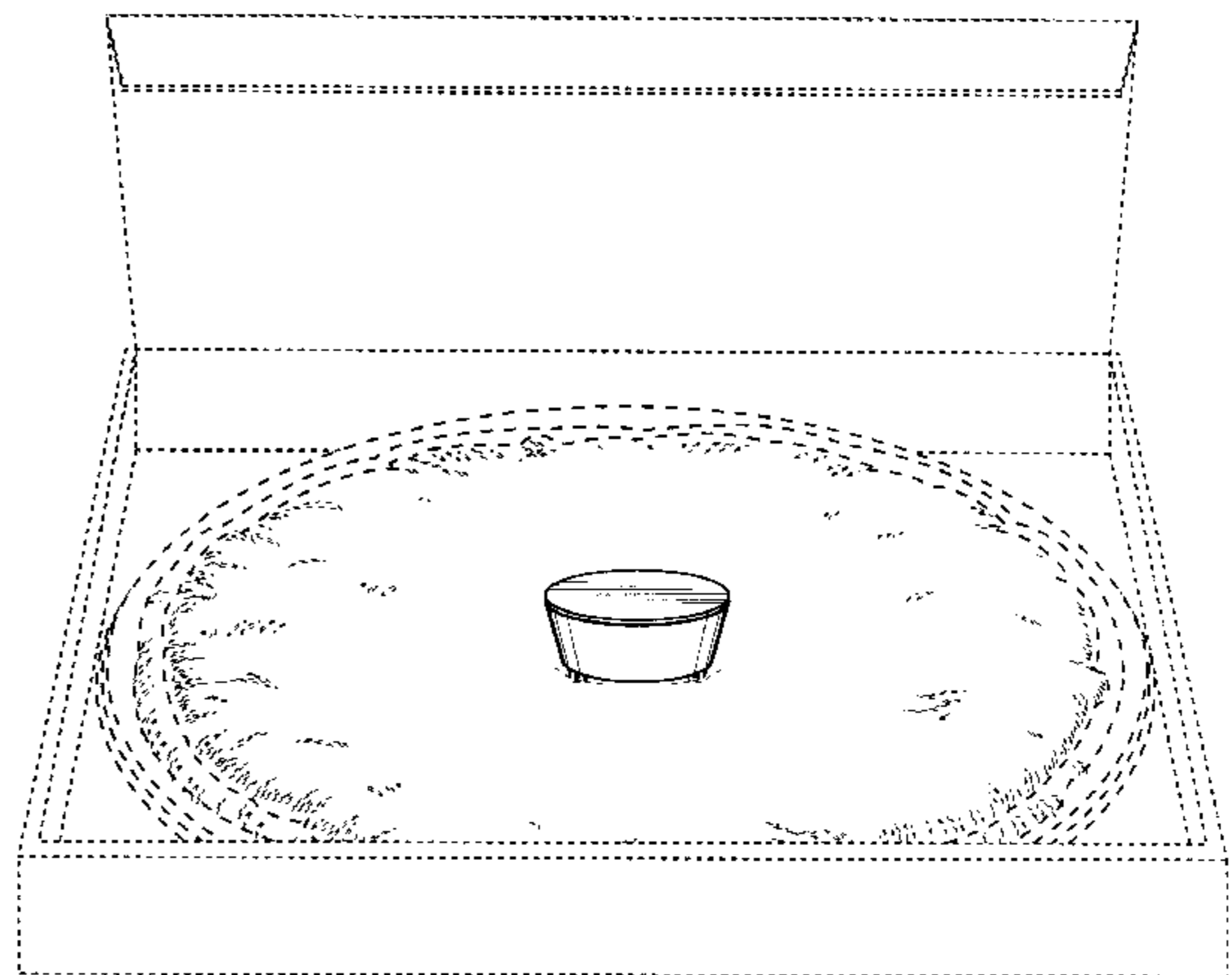
FIG. 6 is a top plan view of the food container lid support with compartment.

FIG. 7 is a bottom plan view thereof.

FIG. 8 is a perspective view thereof, with the compartment cover removed from the lid support; and,

FIG. 9 is a perspective view of the food container lid support with compartment in full lines with a pizza and a pizza box shown in broken lines representing environmental association matter being for illustrative purposes only and forming no part of the claimed invention.

1 Claim, 7 Drawing Sheets



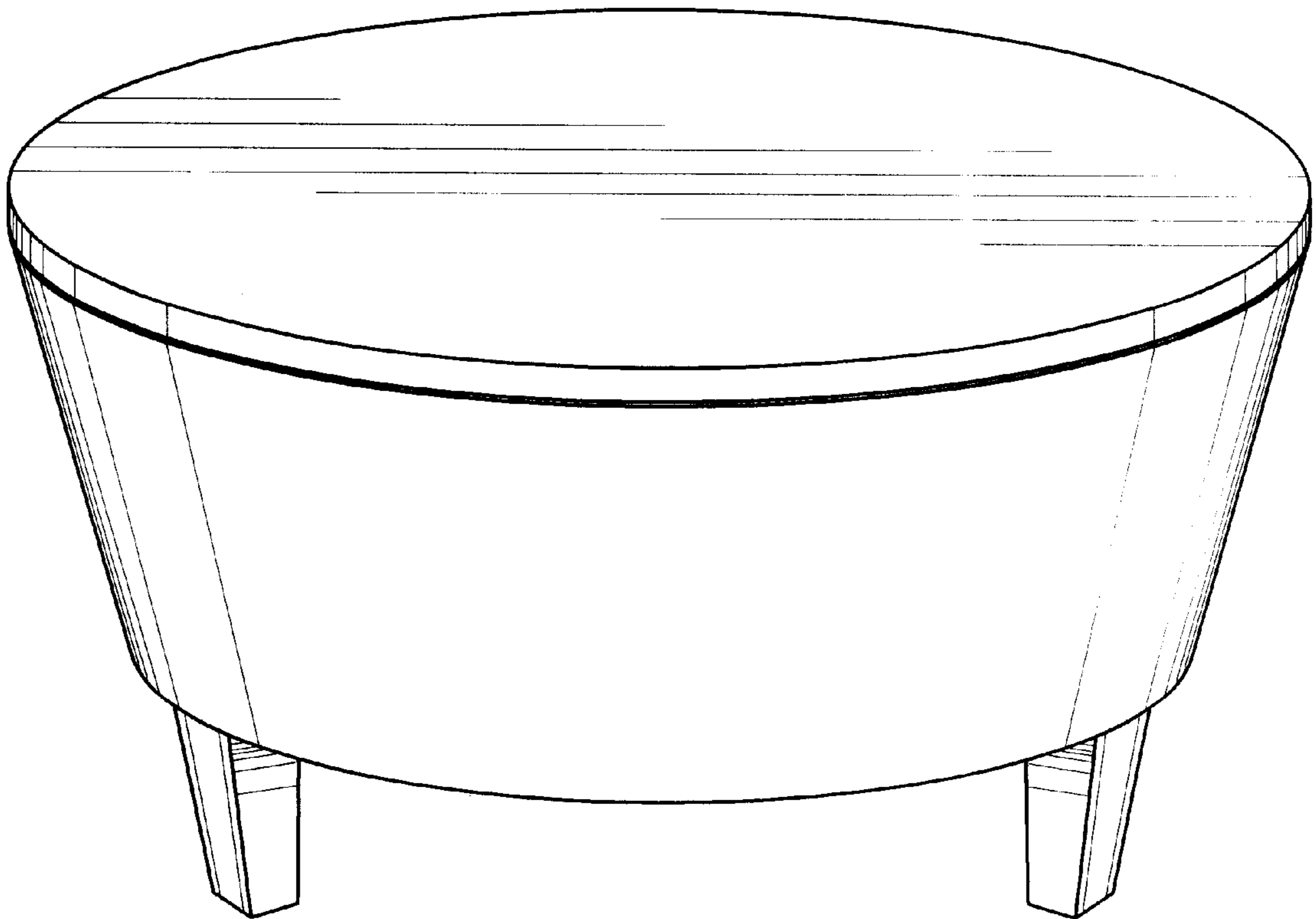


FIG. 1

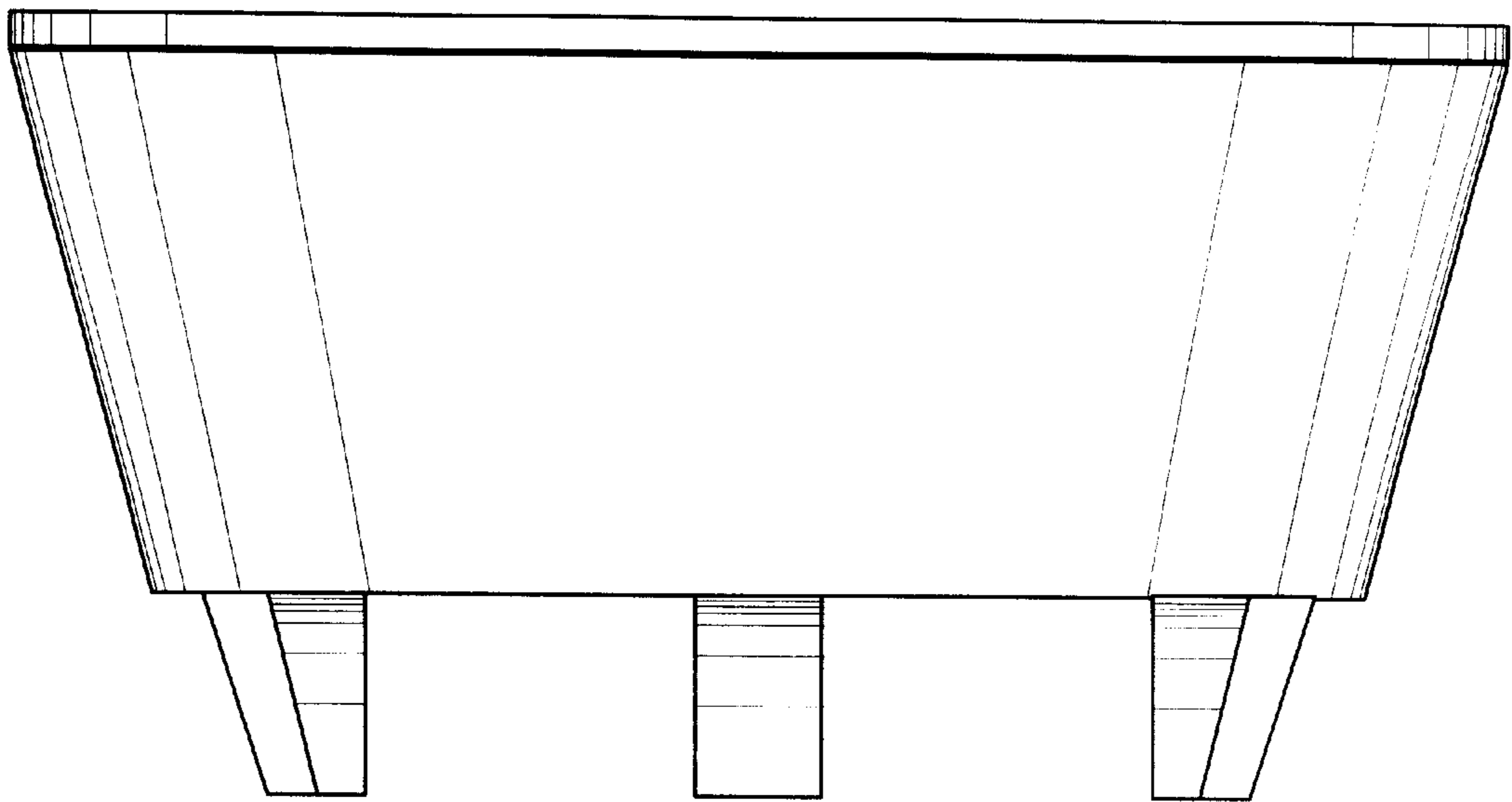


FIG. 2

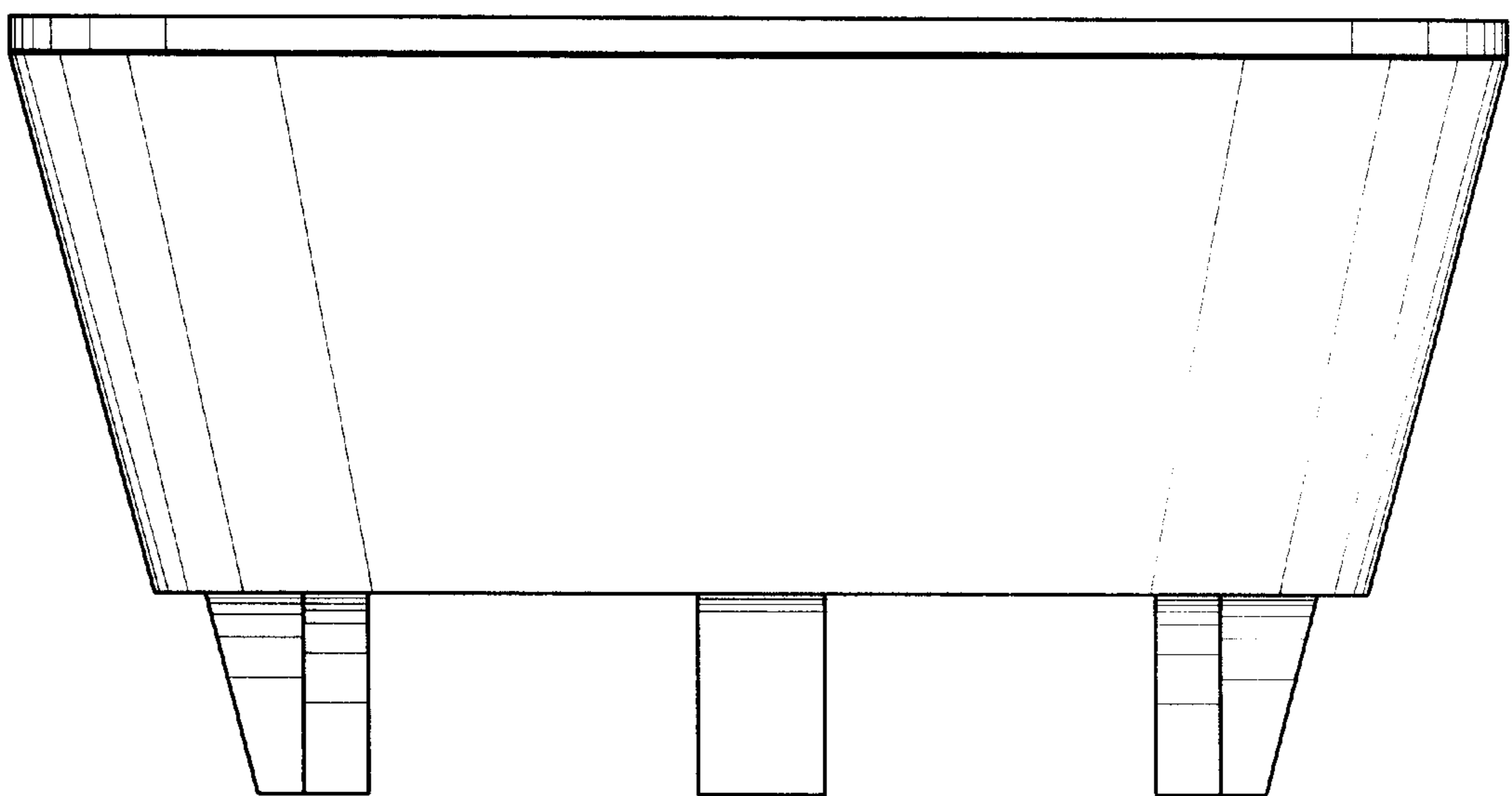


FIG. 3

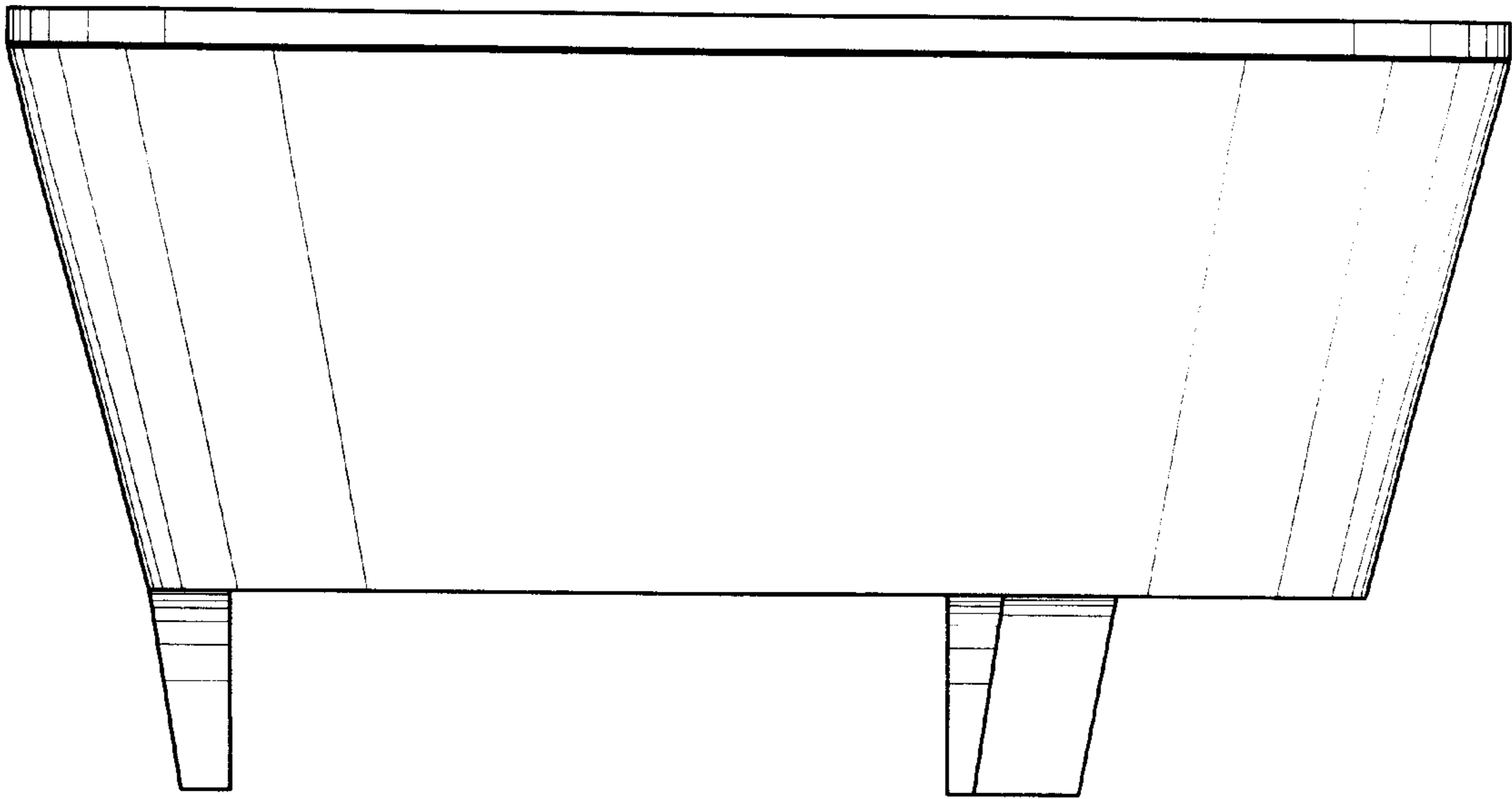


FIG. 4

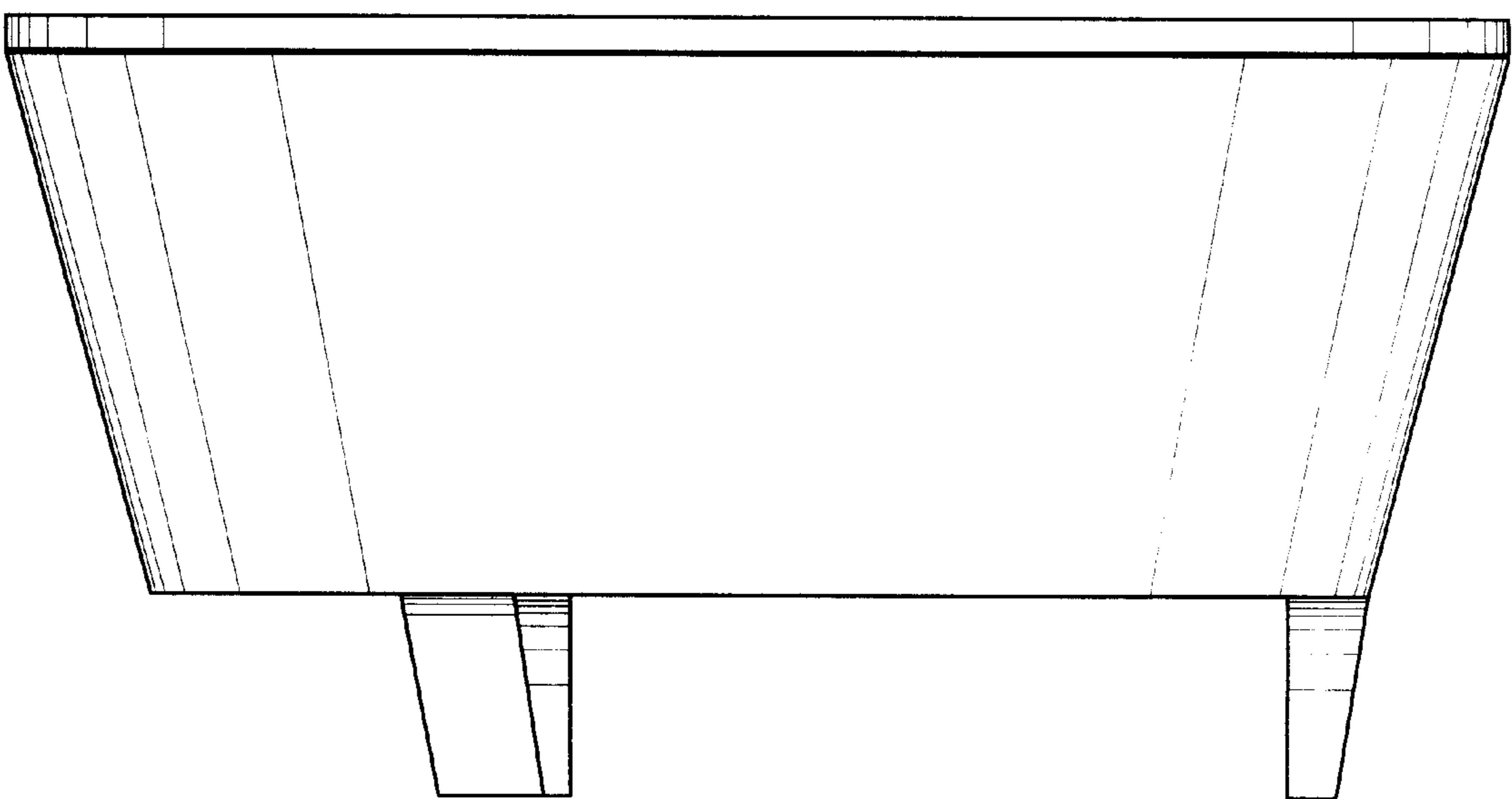


FIG. 5

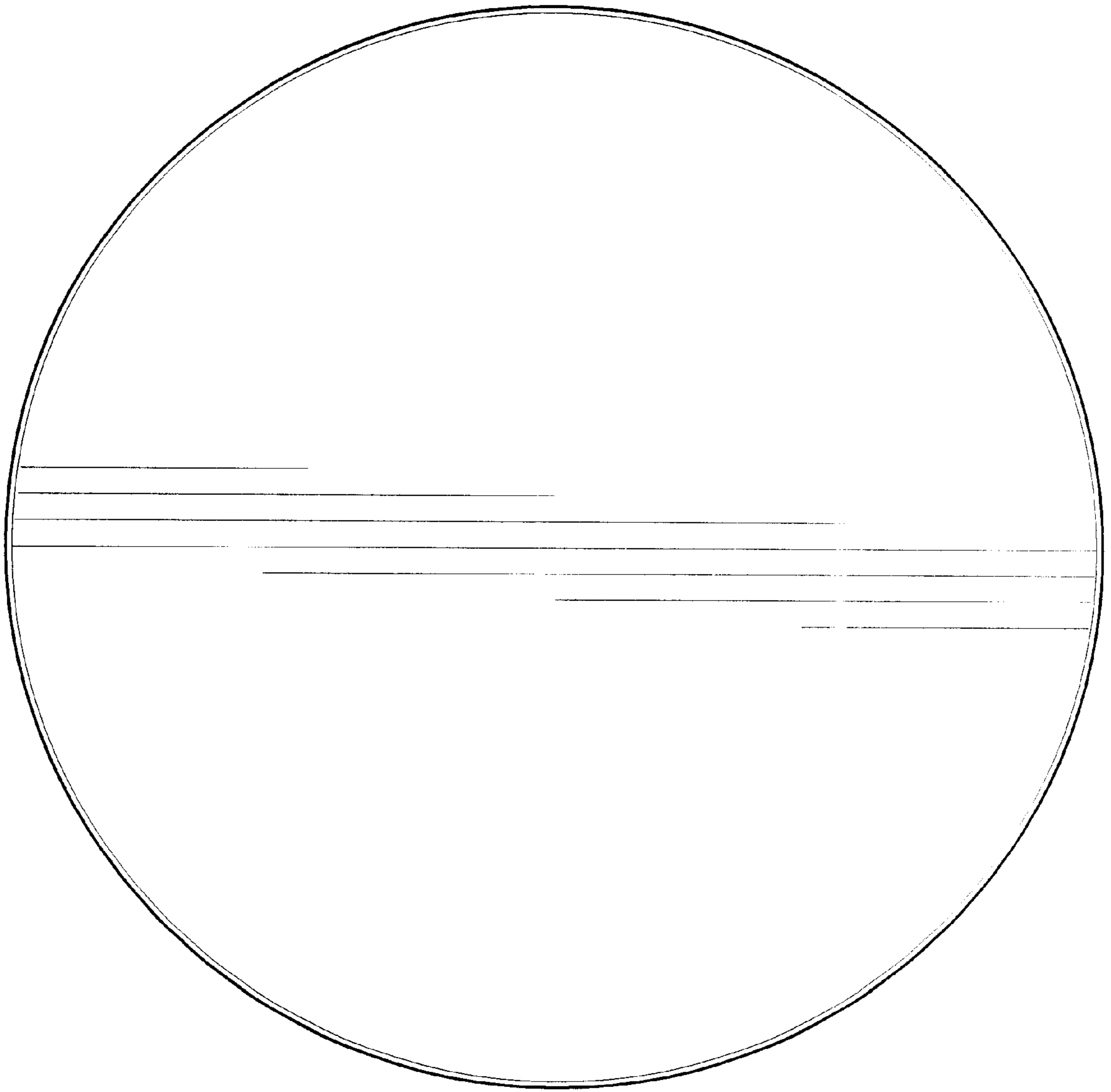


FIG. 6

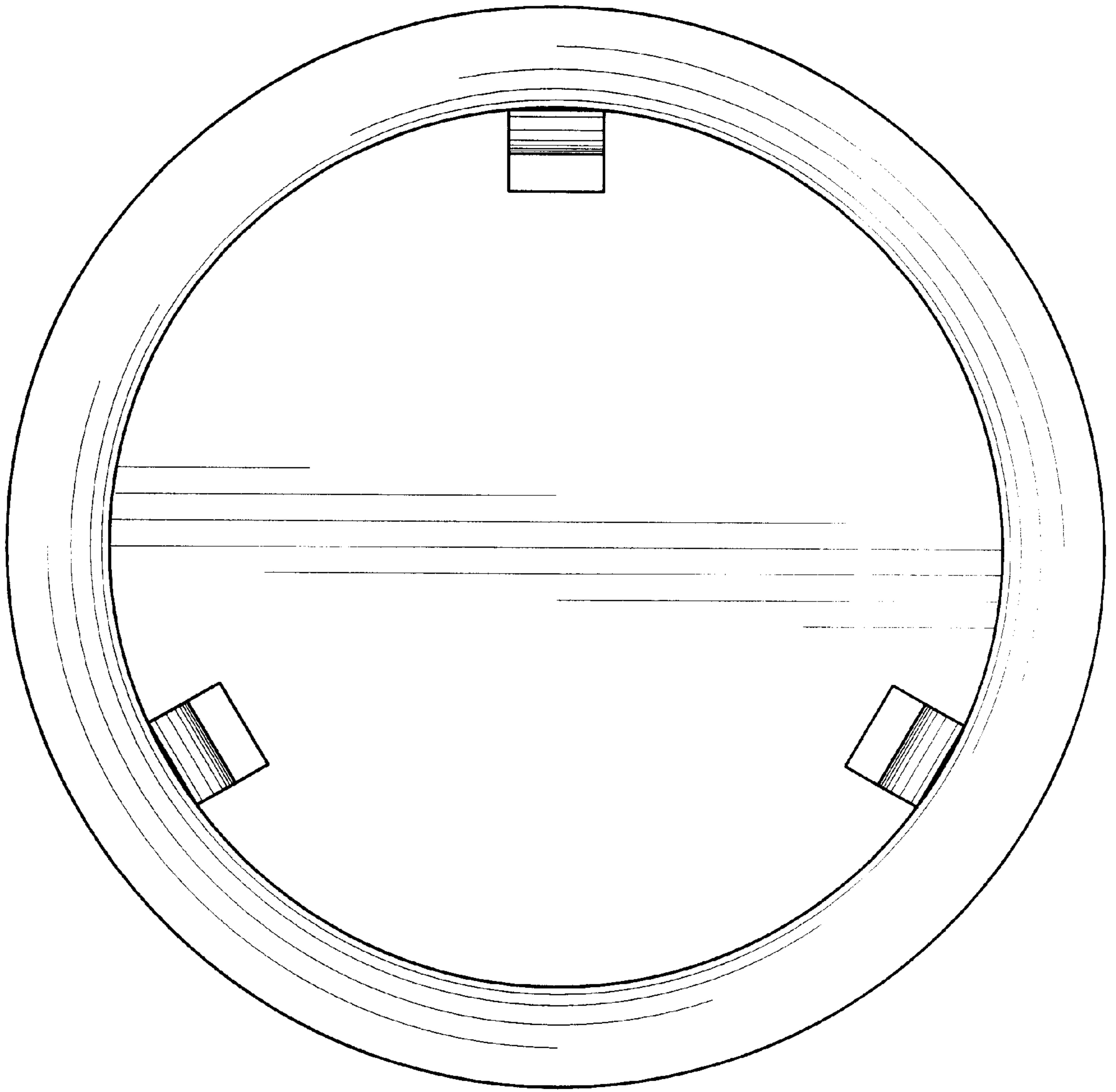


FIG. 7

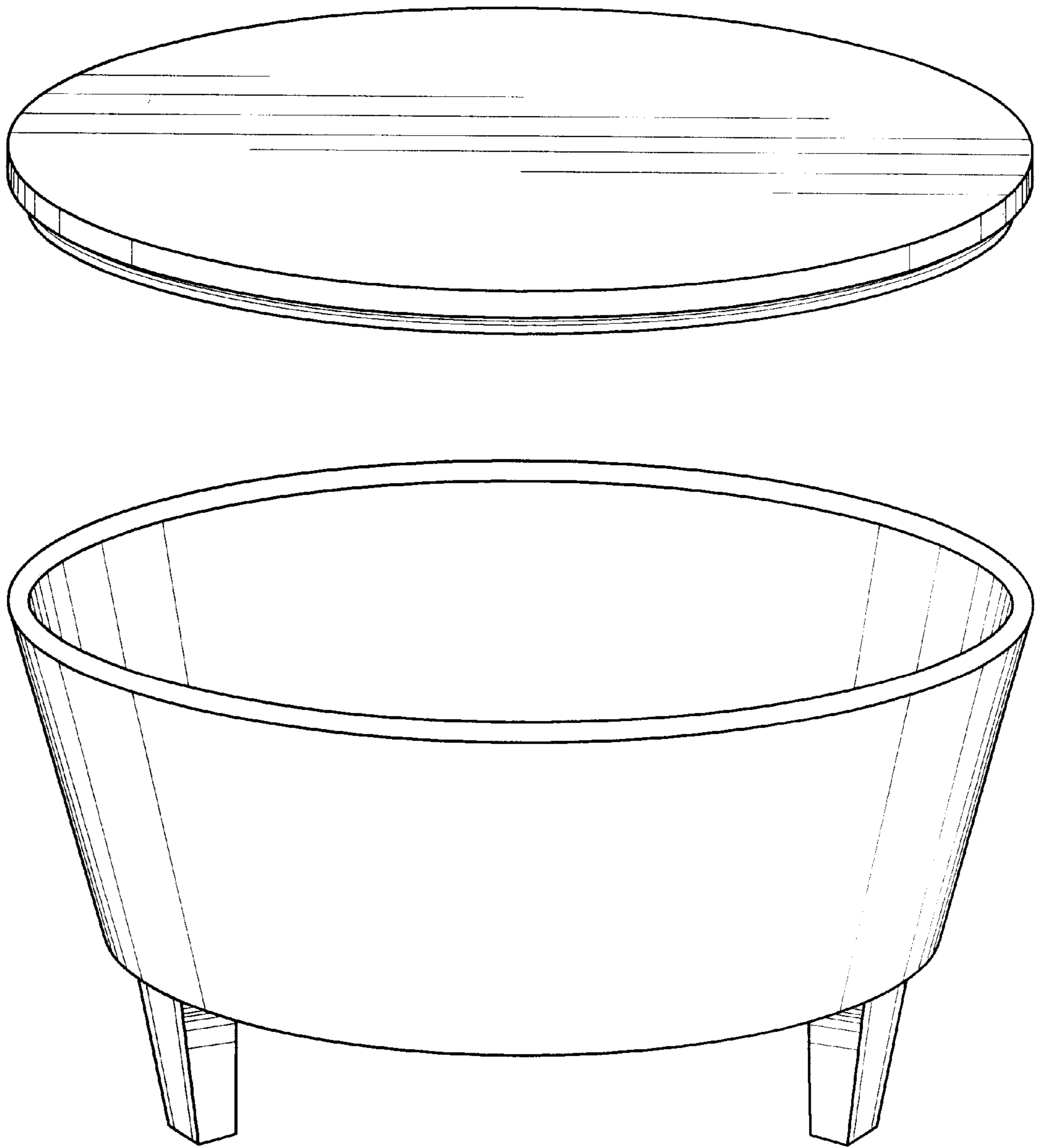


FIG. 8

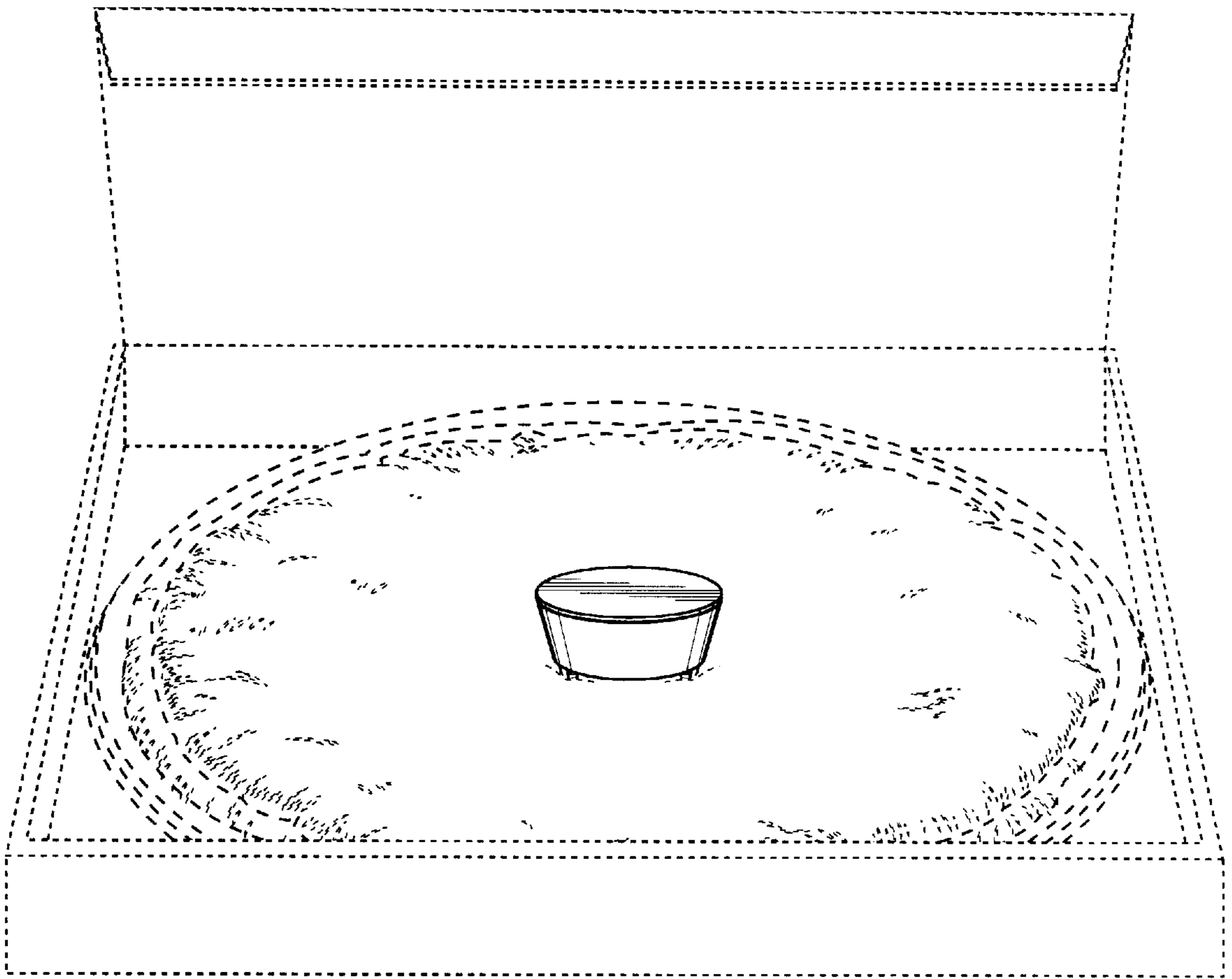


FIG. 9