



US00D469014S

(12) **United States Design Patent**  
**Loghman-Adham et al.**

(10) **Patent No.:** **US D469,014 S**  
(45) **Date of Patent:** **\*\* Jan. 21, 2003**

(54) **AEROSOL ACTUATOR**

(75) Inventors: **Kamran Loghman-Adham**,  
Gaithersburg, MD (US); **Michael J.**  
**Knickerbocker**, Crystal Lake, IL (US)

(73) Assignee: **Zarc International, Inc.**, Gaithersburg,  
MD (US)

(\*\*) Term: **14 Years**

(21) Appl. No.: **29/155,819**

(22) Filed: **Feb. 20, 2002**

(51) **LOC (7) Cl.** ..... **09-07**

(52) **U.S. Cl.** ..... **D9/448**

(58) **Field of Search** ..... D9/300, 301, 435,  
D9/447, 448; 222/544, 545, 556

(56) **References Cited**

**U.S. PATENT DOCUMENTS**

3,602,399 A	8/1971	Litman	
3,608,785 A	9/1971	Durso	
3,760,988 A	9/1973	Ostrowsky	
3,828,982 A	8/1974	Steigerwald	
3,918,614 A	11/1975	Steiman	
3,940,023 A	2/1976	Umstead	
4,582,228 A	4/1986	Diamond	
5,282,551 A	2/1994	Pierson	
5,307,960 A	5/1994	Fay, Sr.	
5,458,263 A	10/1995	Ciammitti	
5,476,192 A	12/1995	Julinot	
5,570,817 A	11/1996	Anderson	
D402,193 S	* 12/1998	Bell et al.	..... D9/300

5,901,723 A	5/1999	Ames	
5,988,450 A	11/1999	Cassarino	
D419,877 S	* 2/2000	Sayers	..... D9/448
6,145,654 A	11/2000	Loghman	
D457,811 S	* 5/2002	Vanstaen	..... D9/448
D458,137 S	* 6/2002	Bakic	..... D9/448

\* cited by examiner

*Primary Examiner*—Dominic Simone

(74) *Attorney, Agent, or Firm*—Liniak, Berenato & White

(57) **CLAIM**

The ornamental design for an aerosol actuator, as shown and described.

**DESCRIPTION**

FIG. 1 is a front elevational perspective view of an aerosol actuator according to the present invention.

FIG. 2 is a side view of an aerosol actuator of FIG. 1 according to the present invention.

FIG. 3 is an opposite side view of an aerosol actuator of FIG. 1 according to the present invention.

FIG. 4 is a front view of an aerosol actuator of FIG. 1 according to the present invention.

FIG. 5 is a back view of an aerosol actuator of FIG. 1 according to the present invention.

FIG. 6 is a top view of an aerosol actuator of FIG. 1 according to the present invention; and,

FIG. 7 is a bottom view of an aerosol actuator of FIG. 1 according to the present invention.

The broken line portions of the disclosure are for illustrative purposes only and form no part of the claim design.

**1 Claim, 4 Drawing Sheets**

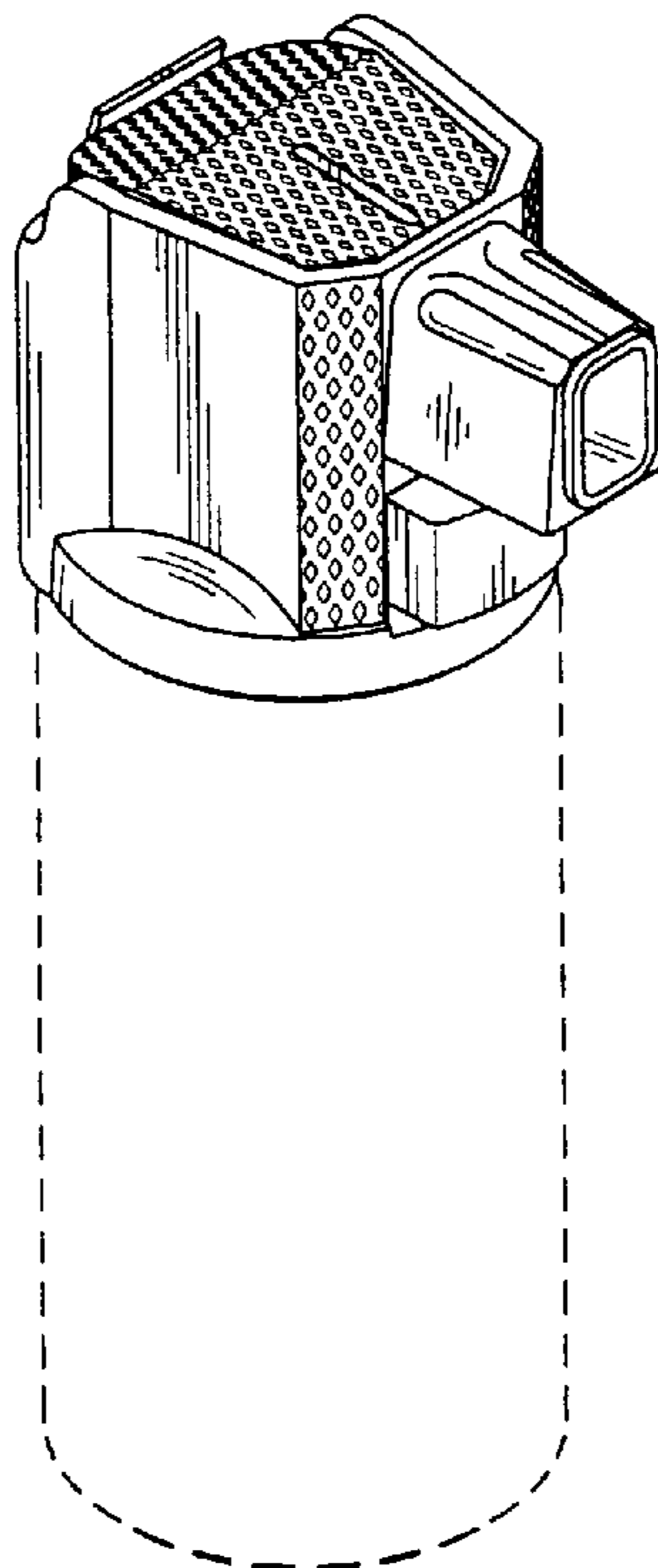


Fig. 1

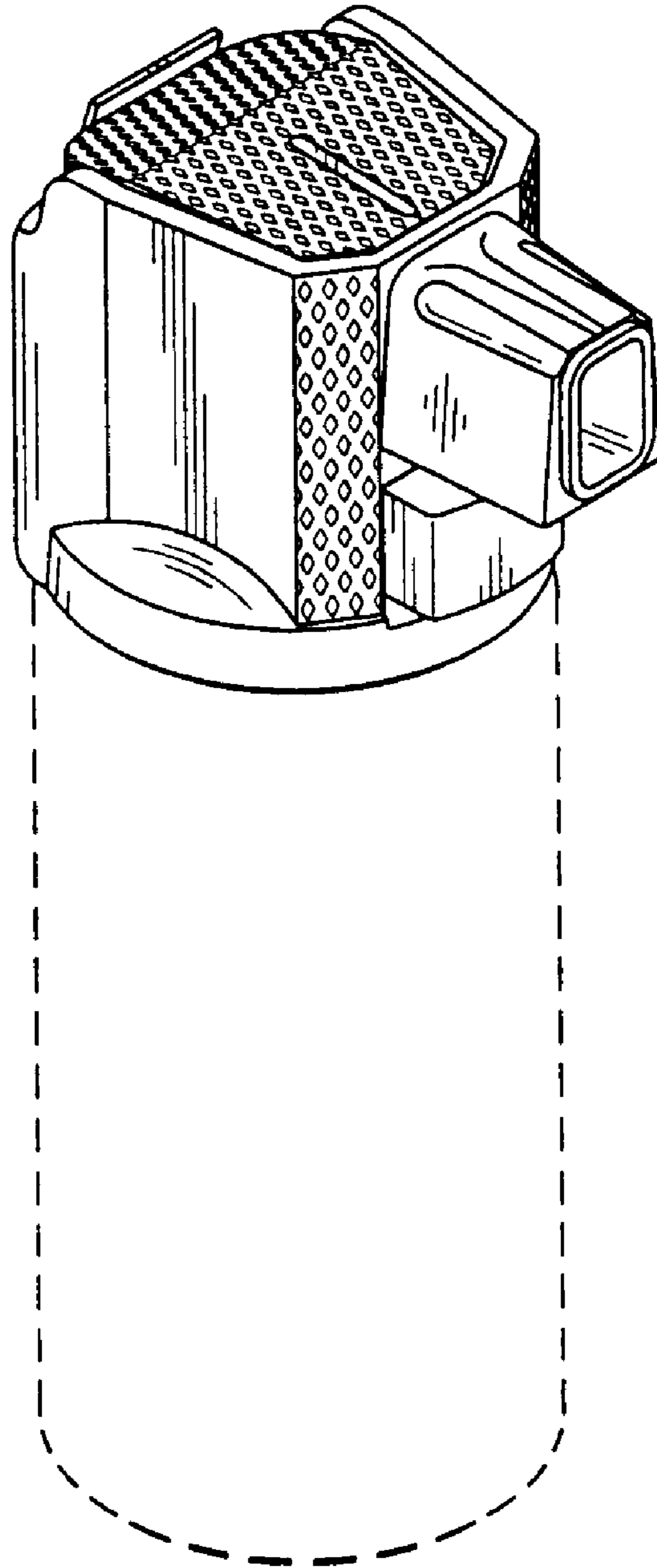


Fig. 2

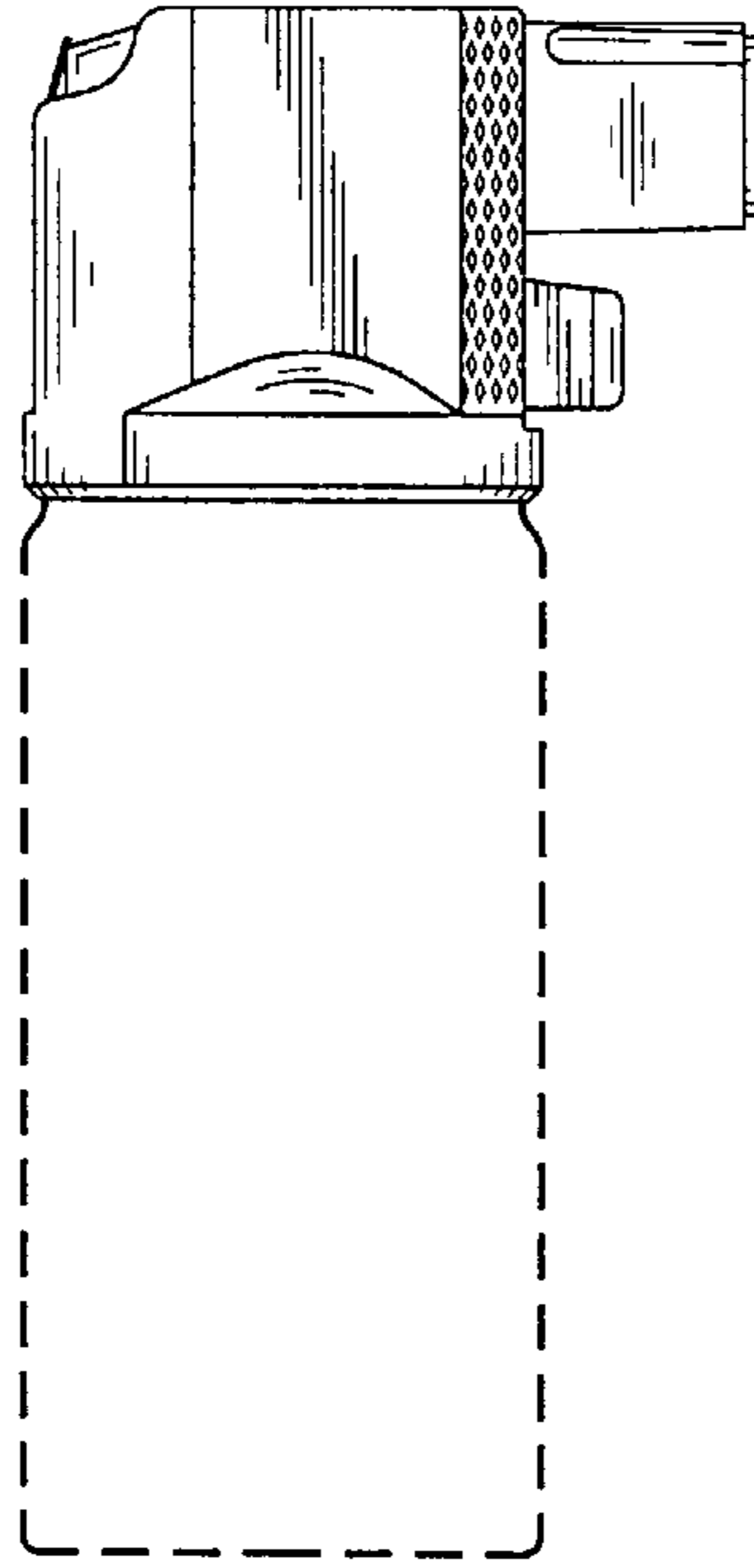


Fig. 3

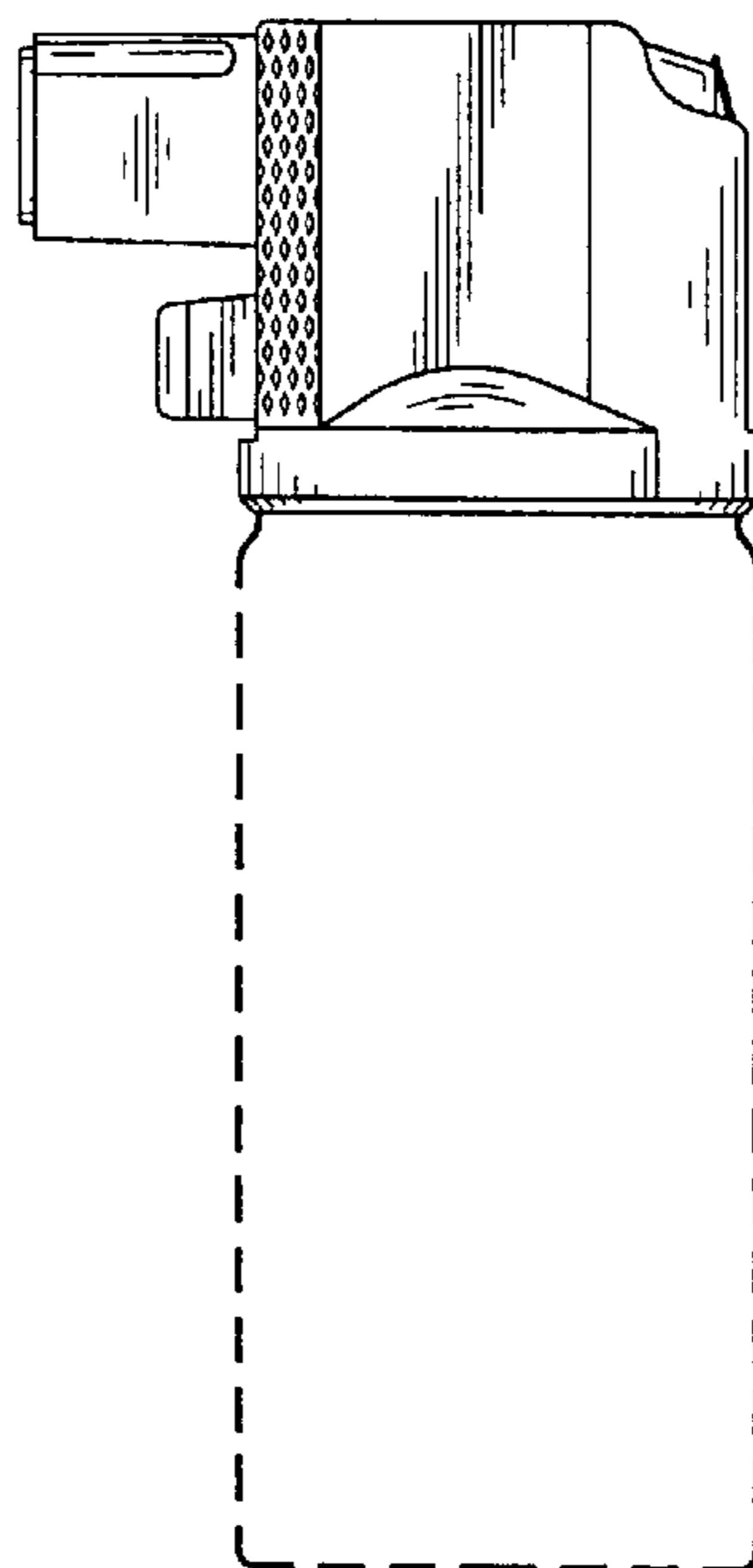


Fig. 4

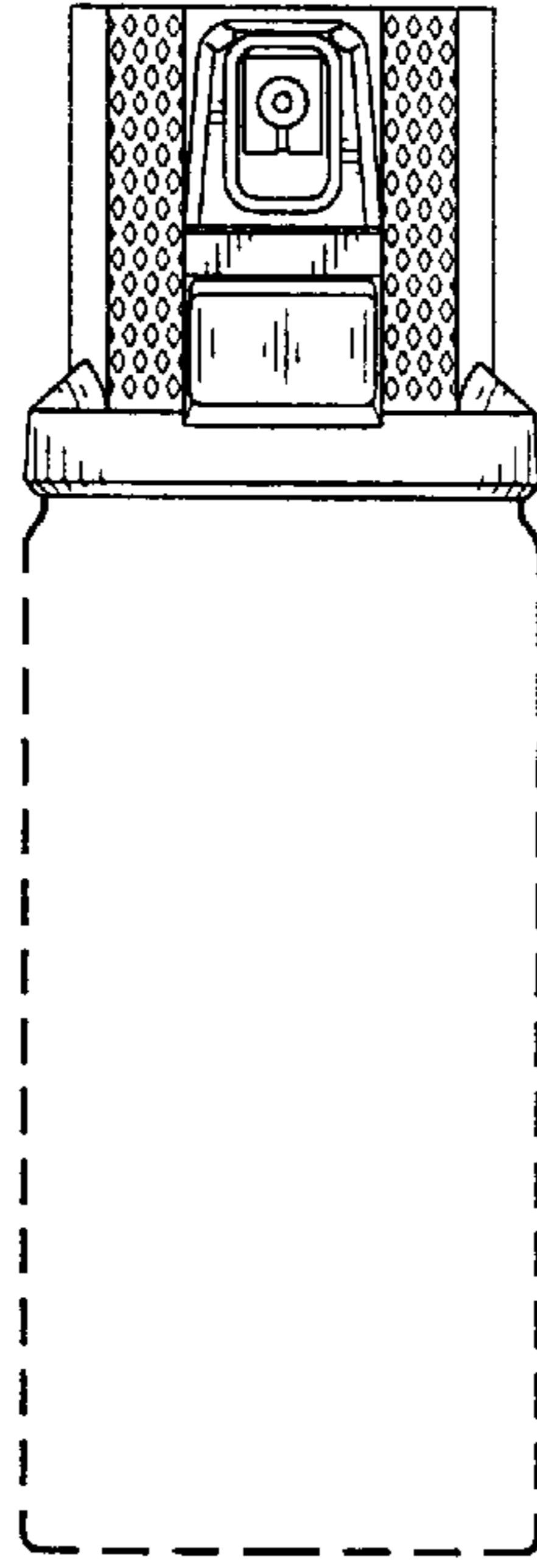


Fig. 5

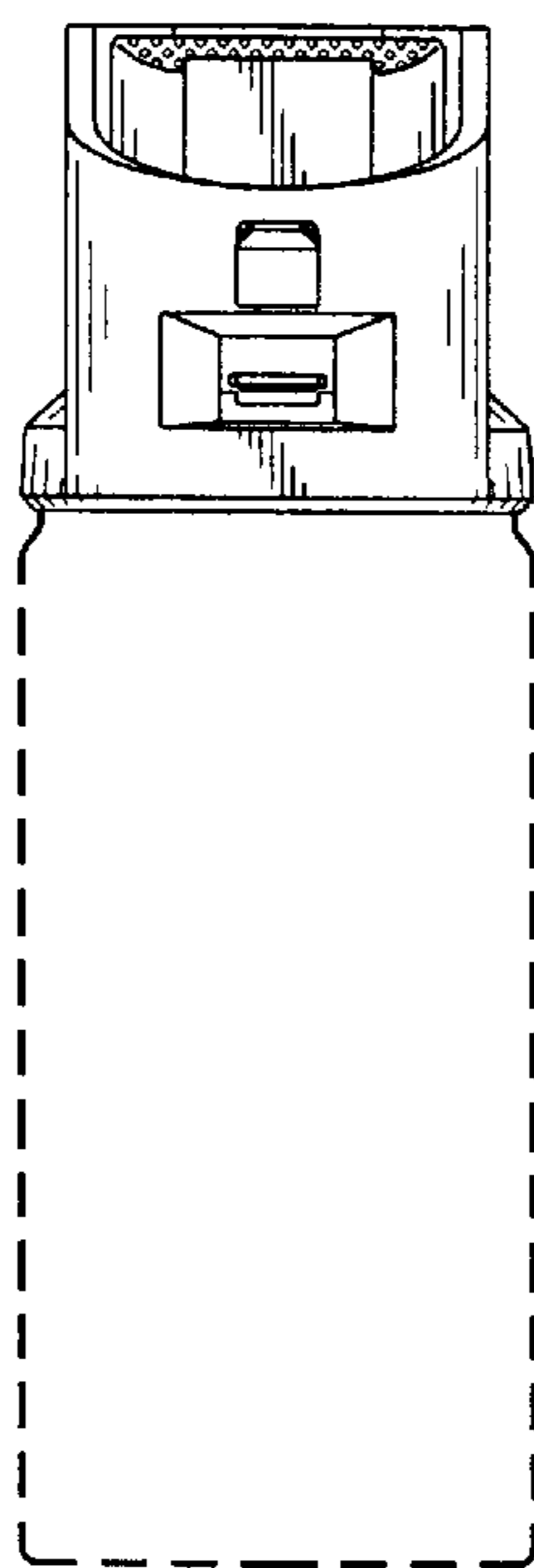


Fig. 6

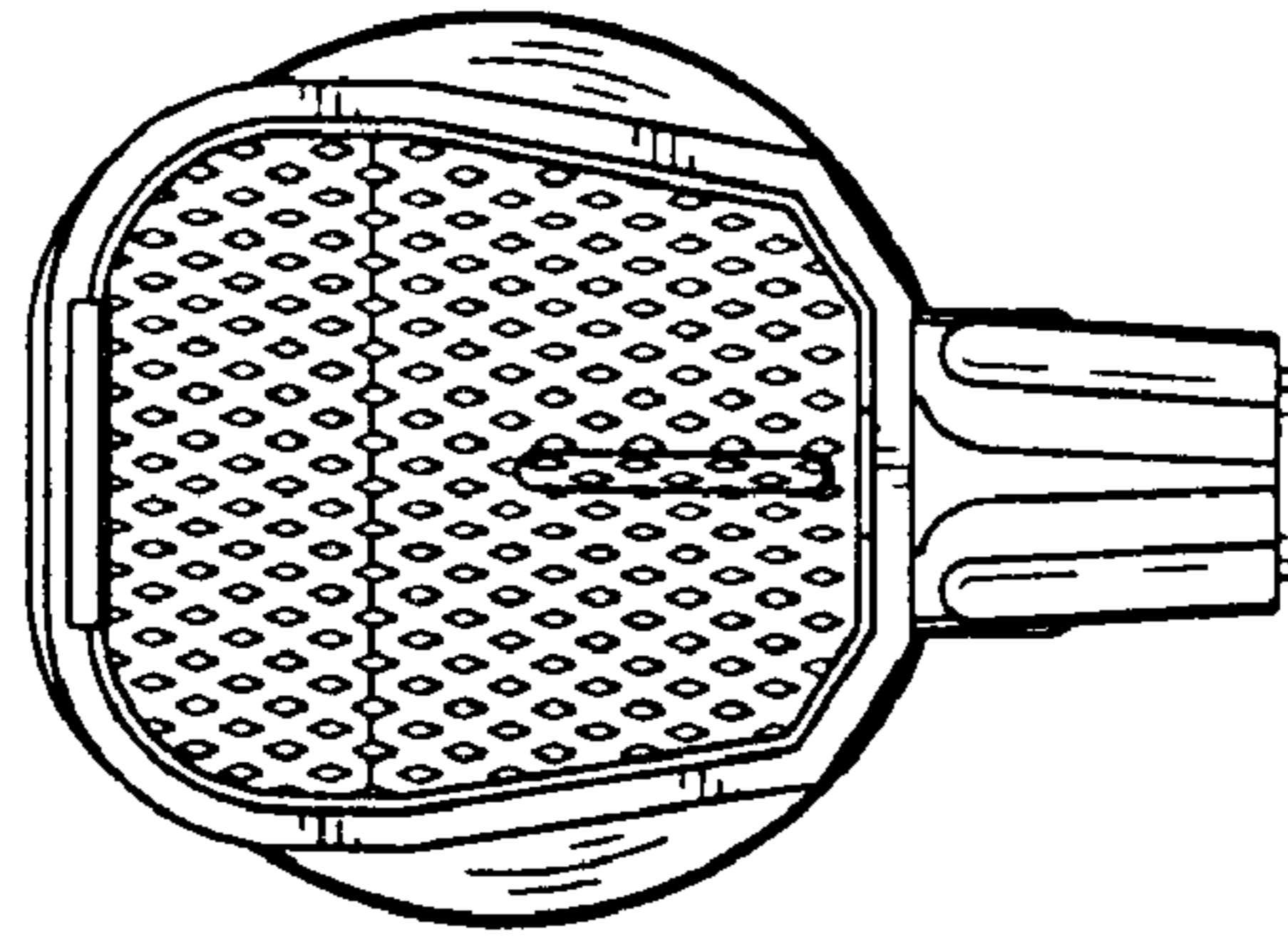


Fig. 7

