



US00D469012S

(12) **United States Design Patent**  
**Lee**

(10) **Patent No.:** **US D469,012 S**  
(45) **Date of Patent:** **\*\* Jan. 21, 2003**

(54) **HANDLE OF A BOX**

(75) Inventor: **Sunju Lee**, Seoul (KR)

(73) Assignee: **Dong-Jin Paper Board Box Co., Ltd.**  
(KR)

(\*\*) Term: **14 Years**

(21) Appl. No.: **29/151,511**

(22) Filed: **Nov. 2, 2001**

(30) **Foreign Application Priority Data**

May 4, 2001 (KR) ..... 01-0011934

(51) **LOC (7) Cl.** ..... **09-07**

(52) **U.S. Cl.** ..... **D9/434; D9/499**

(58) **Field of Search** ..... D9/414, 435, 456,  
D9/499; D3/318; 229/906.1, 117.09, 117.19,  
117.12, 117.17; 220/270, 759, 767

(56) **References Cited**

**U.S. PATENT DOCUMENTS**

D375,201 S \* 11/1996 Karr ..... D3/318

\* cited by examiner

*Primary Examiner*—Dominic Simone

(74) *Attorney, Agent, or Firm*—Sheridan Ross P.C.

(57) **CLAIM**

The ornamental design for a handle of a box, as shown and described.

**DESCRIPTION**

FIG. 1 is a front perspective view of a handle of a box showing my new design;  
FIG. 2 is a front elevational view thereof;  
FIG. 3 is a rear elevational view thereof;  
FIG. 4 is a left side elevational view thereof, the right side being a mirror image;  
FIG. 5 is a top plan view thereof;  
FIG. 6 is a bottom plan view thereof;  
FIG. 7 is a rear perspective view thereof, the circled areas shown enlarged for completeness of disclosure; and,  
FIG. 8 is a perspective view thereof, the box shown in broken lines for illustrative purposes only and forms no part of the claimed design.

**1 Claim, 5 Drawing Sheets**

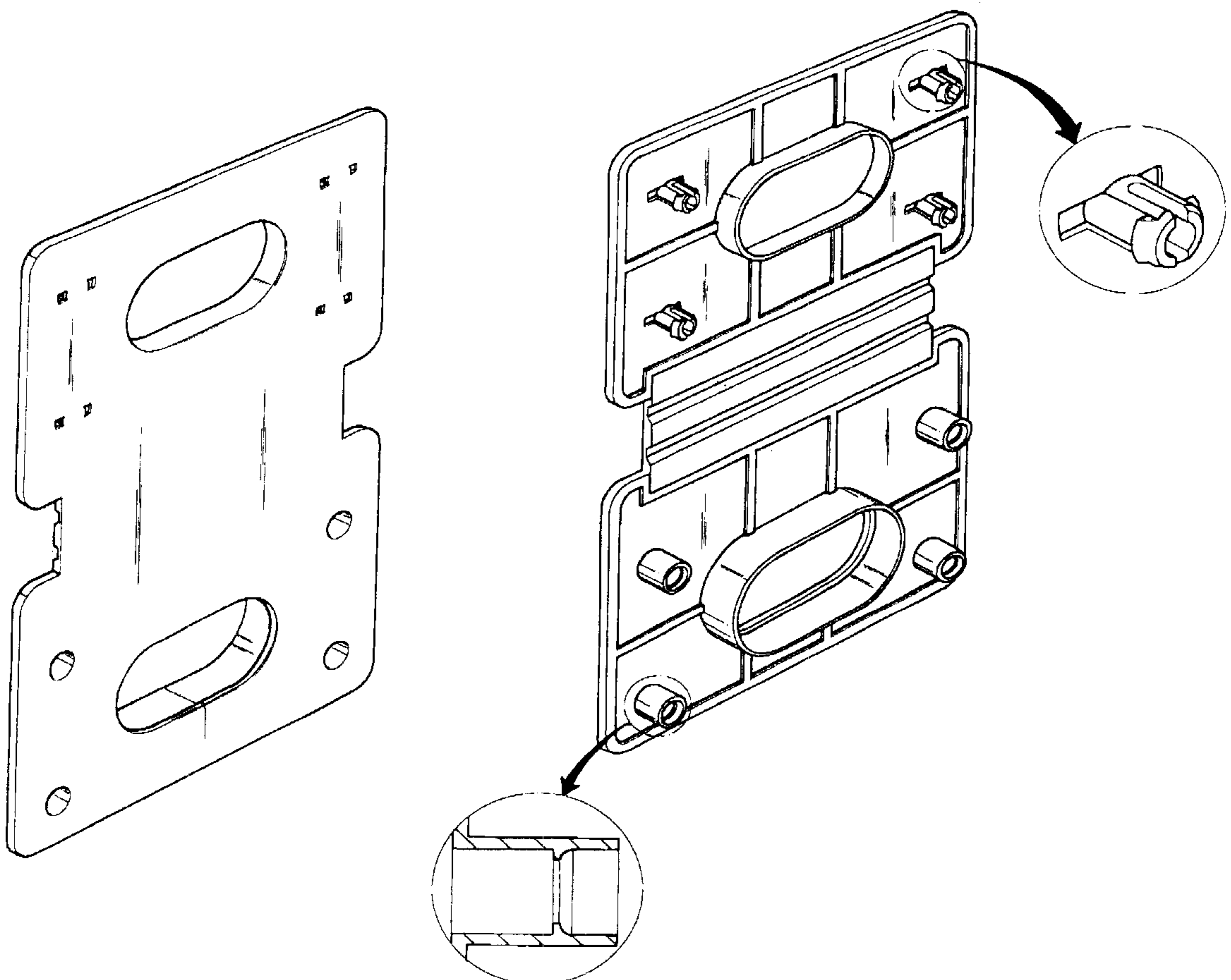


Fig. 1

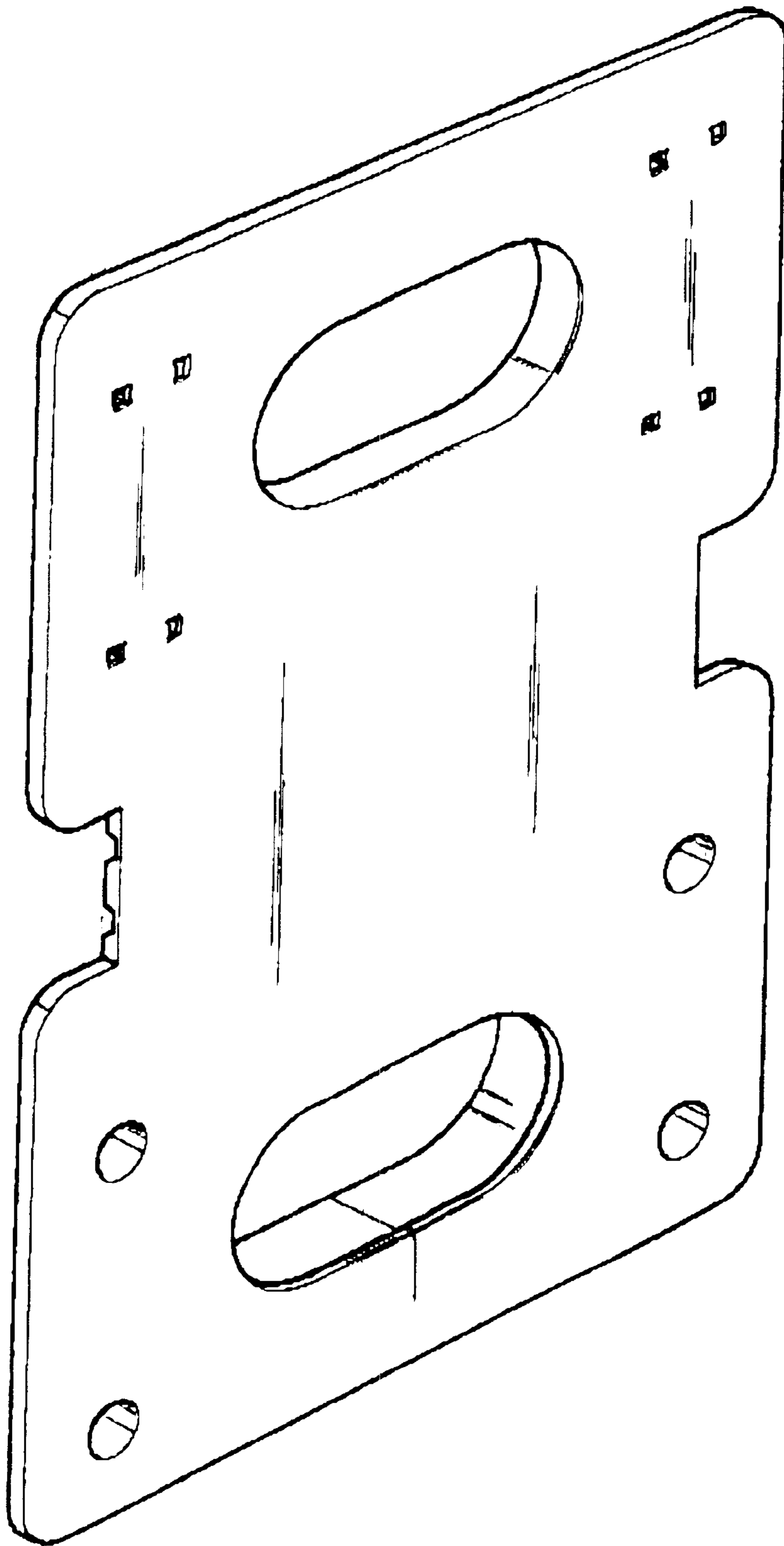


Fig. 2

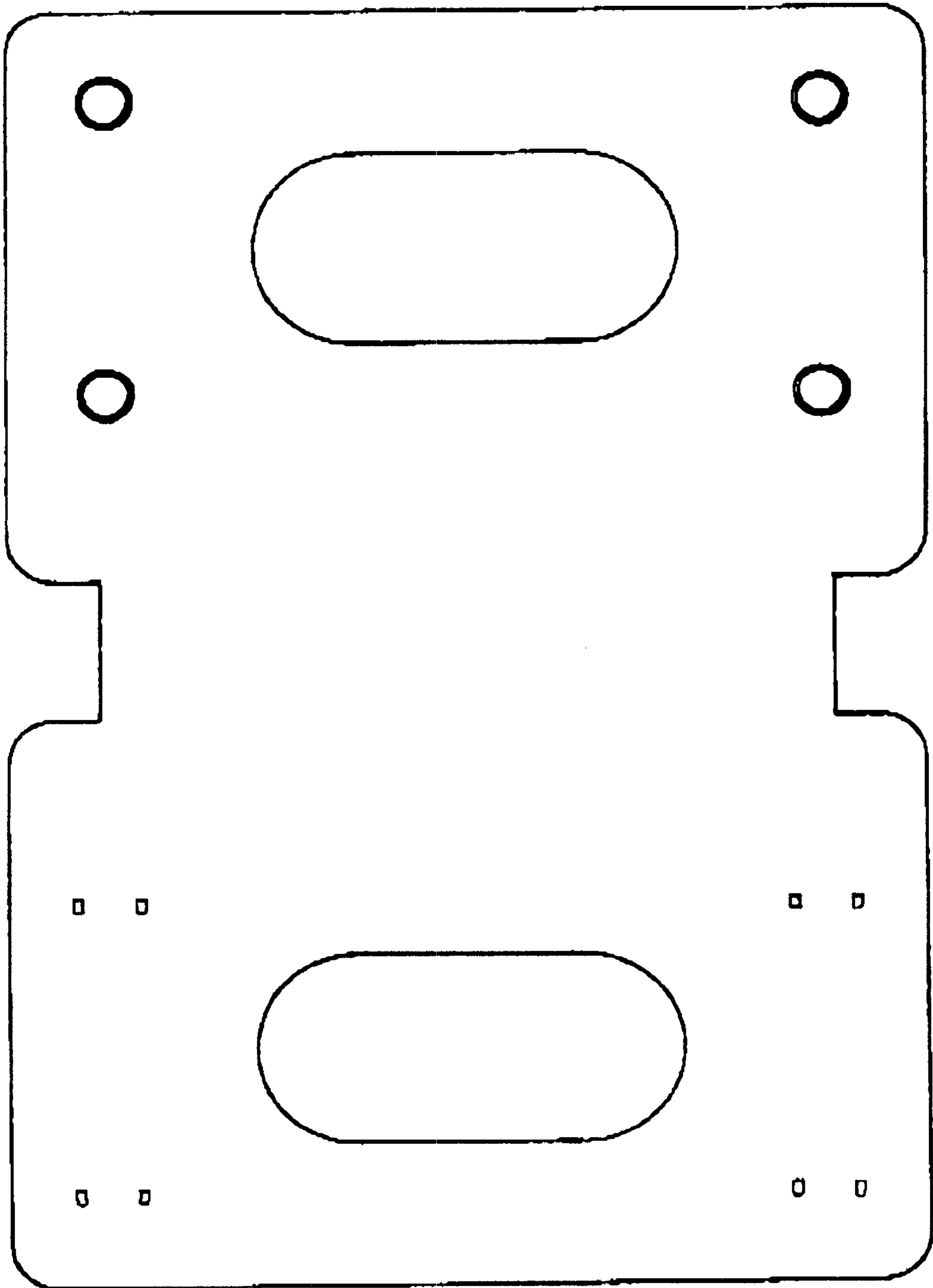


Fig. 3

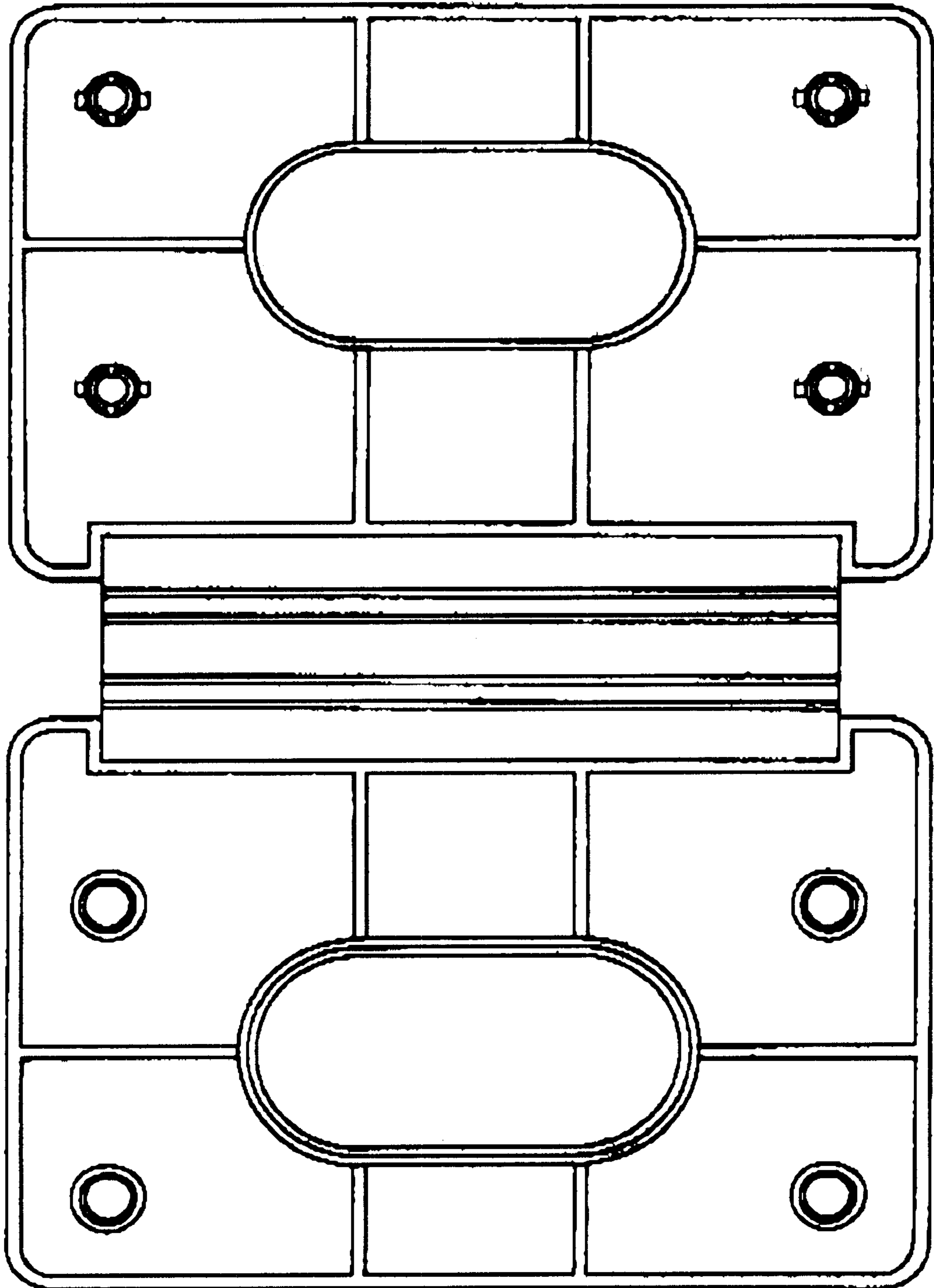


Fig. 4

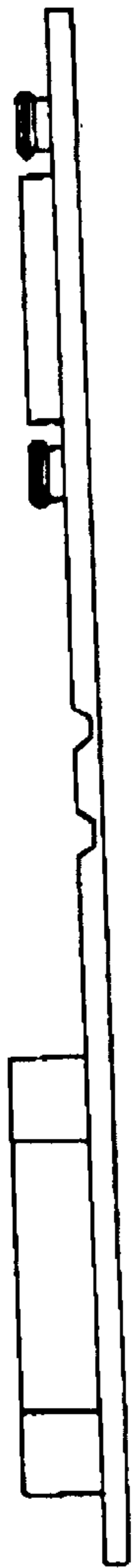


Fig. 5

Symmetrical view of left side view

Fig. 6

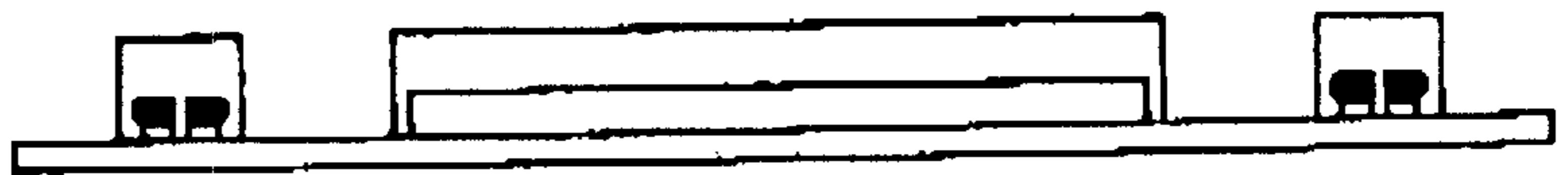


Fig. 7

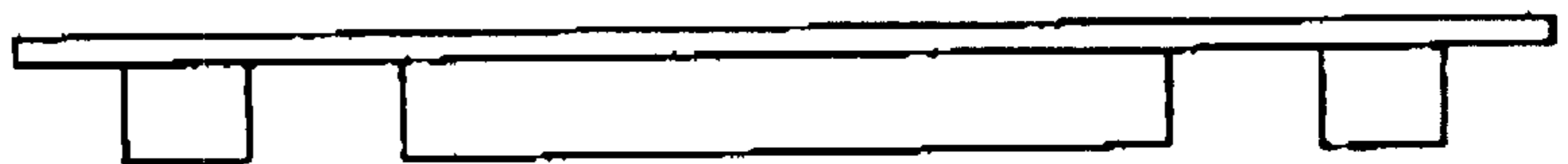


Fig. 8

