



US00D469011S

(12) **United States Design Patent**
Miller

(10) **Patent No.:** **US D469,011 S**

(45) **Date of Patent:** **** Jan. 21, 2003**

(54) **CONTAINER WITH CORNER TAB LID**

(75) Inventor: **D. Scott Miller**, Orlando, FL (US)

(73) Assignee: **Dart Industries Inc.**, Orlando, FL (US)

(**) Term: **14 Years**

(21) Appl. No.: **29/154,323**

(22) Filed: **Jan. 22, 2002**

(51) **LOC (7) Cl.** **09-03**

(52) **U.S. Cl.** **D9/417; D9/424; D9/425;**
D9/432

(58) **Field of Search** D9/424, 425, 432,
D9/416, 417, 337, 428; 206/508, 223, 822;
229/116.1, 125, 125.39, 145, 153, 169-174,
179, 182.1; 220/796, 805, 781, 619, 761

(56) **References Cited**

U.S. PATENT DOCUMENTS

- 3,447,714 A * 6/1969 Elliot 220/781
- 3,807,624 A * 4/1974 Funkhouser 229/182.1
- D323,874 S 2/1992 Hirman et al.
- D328,710 S * 8/1992 DeFlander D9/417
- 5,269,438 A 12/1993 Kelsey
- D349,417 S 8/1994 Malmberg et al.
- D351,792 S * 10/1994 Morris, Jr. D9/425
- D362,180 S * 9/1995 Haines D9/424
- 5,624,051 A * 4/1997 Ahern, Jr. et al. 220/805
- D381,864 S 8/1997 Feer
- D386,943 S 12/1997 Demore et al.
- D394,208 S * 5/1998 Rutledge D9/417

- D400,391 S 11/1998 Hulley
- D403,924 S 1/1999 Carlson
- D405,014 S 2/1999 Nask et al.
- 6,032,827 A * 3/2000 Zettle et al. 220/805
- D427,062 S * 6/2000 Alvarez et al. D9/417
- 6,142,332 A * 11/2000 Ferrara 220/805
- 6,254,768 B1 7/2001 Dulieu et al.

OTHER PUBLICATIONS

130733-D—Water Filter Pitcher—Lid—Tupperware—1 page, no date known.

130778-M—Water Filter Pitcher—Counter—Tupperware—1 page, no date known.

* cited by examiner

Primary Examiner—Prabhakar Deshmukh

(74) *Attorney, Agent, or Firm*—Taylor J. Ross

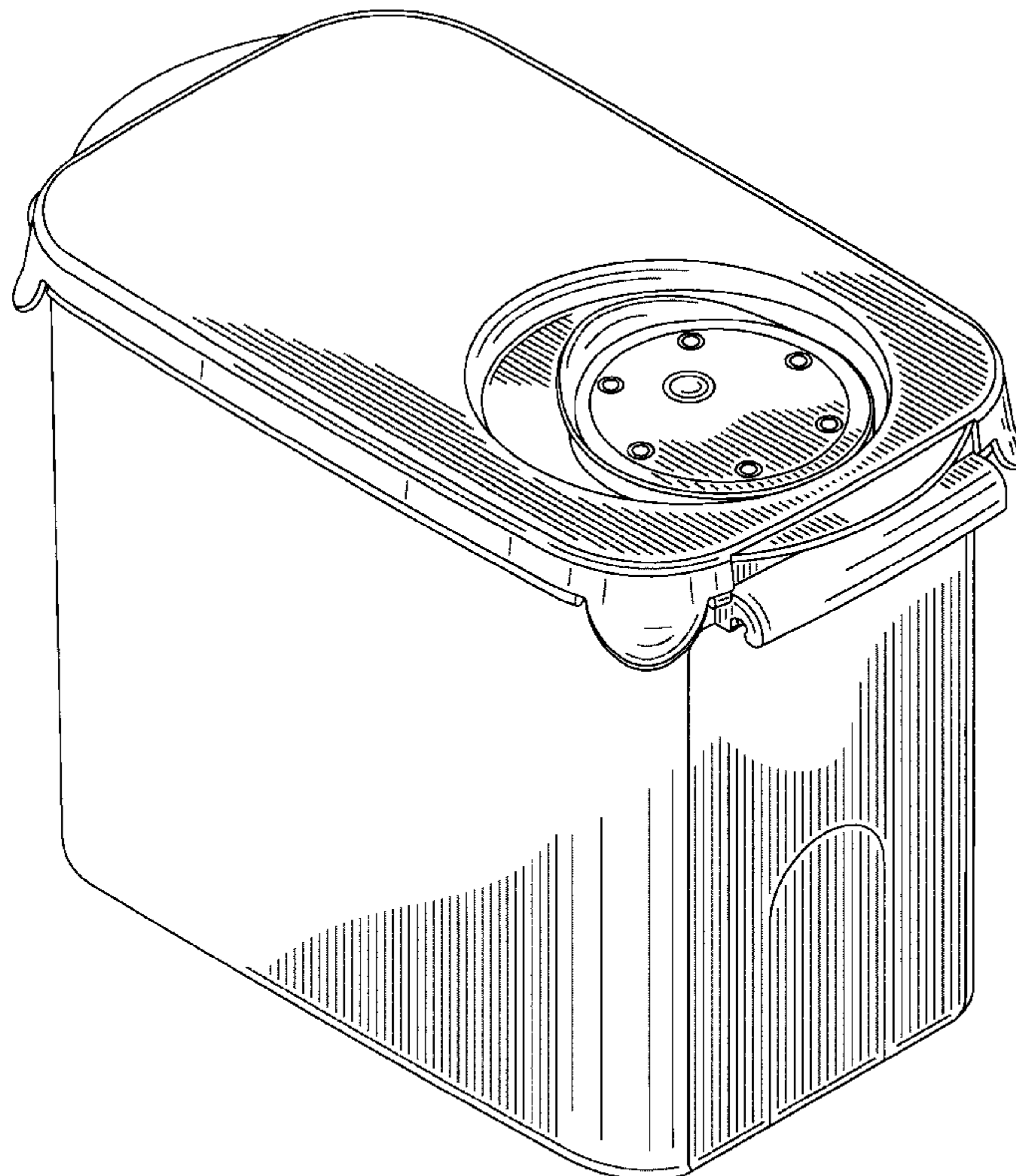
(57) **CLAIM**

The ornamental design for a container with corner tab lid, as shown and described.

DESCRIPTION

FIG. 1 is a top, side and front perspective view of a container with corner tab lid showing the new design; FIG. 2 is a left side elevation view thereof; FIG. 3 is a right side elevation view thereof; FIG. 4 is a front side elevation view thereof; FIG. 5 is a rear side elevation view thereof; FIG. 6 is a top plan view thereof; and, FIG. 7 is a bottom plan view thereof.

1 Claim, 4 Drawing Sheets



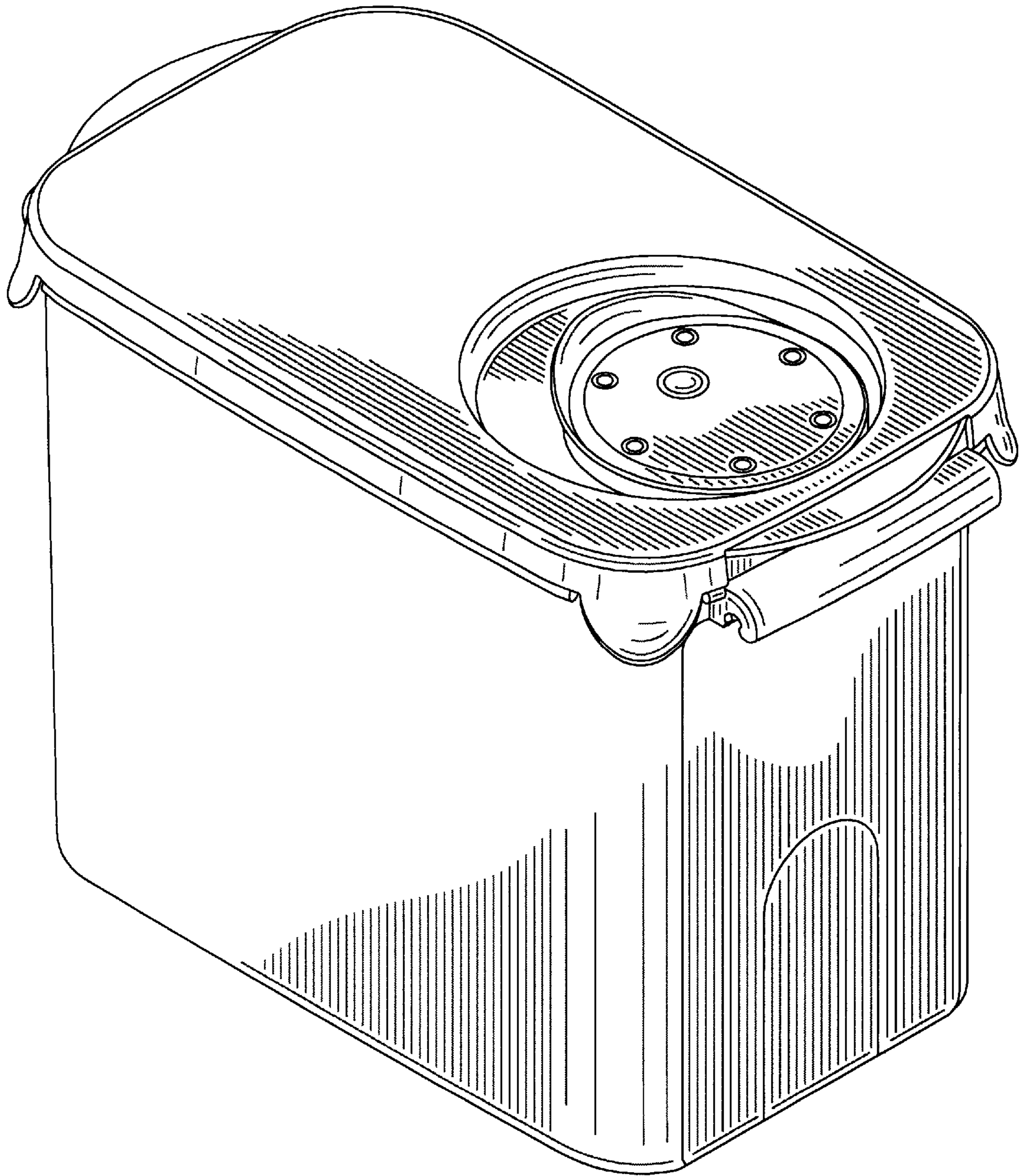


FIG. 1

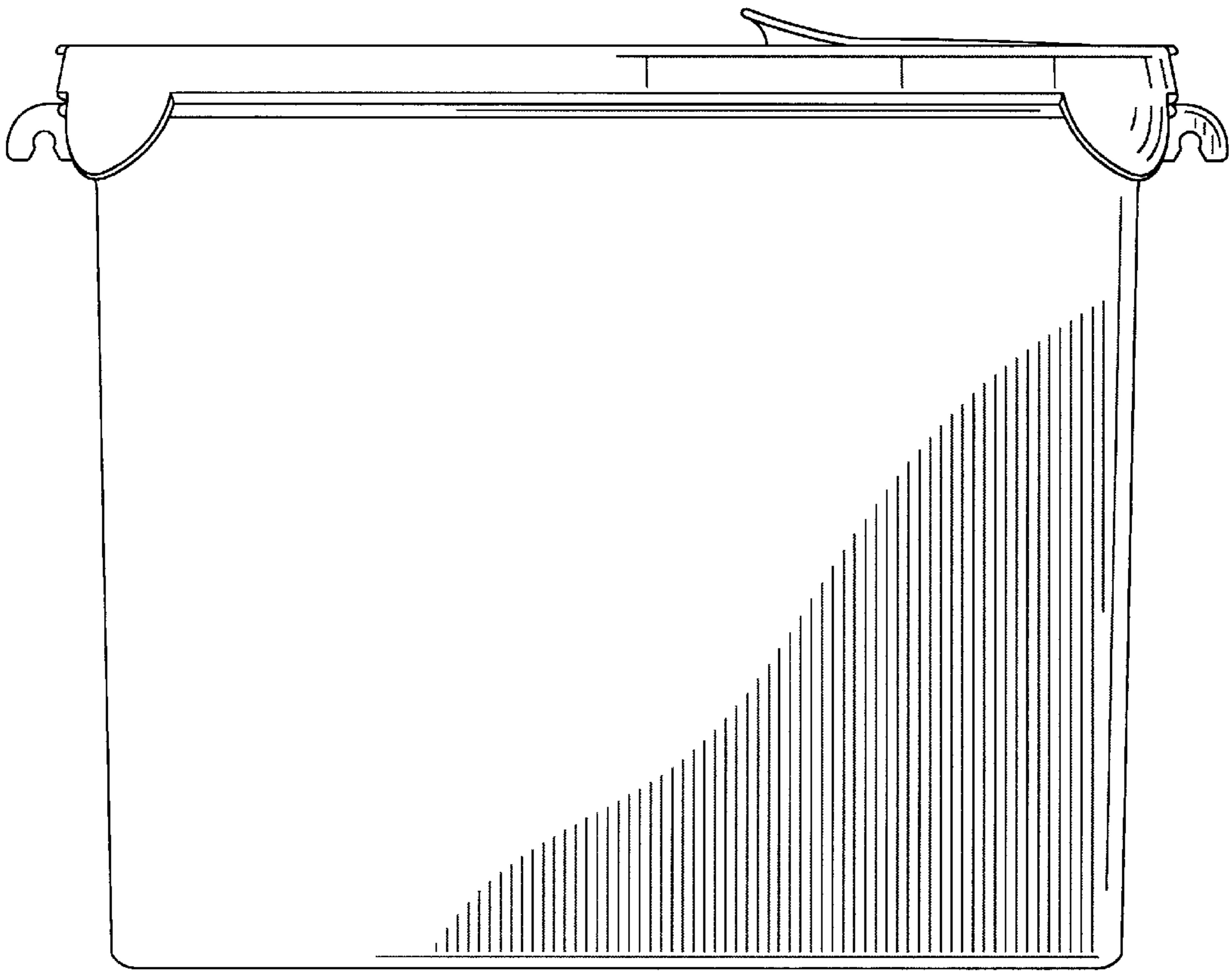


FIG. 2

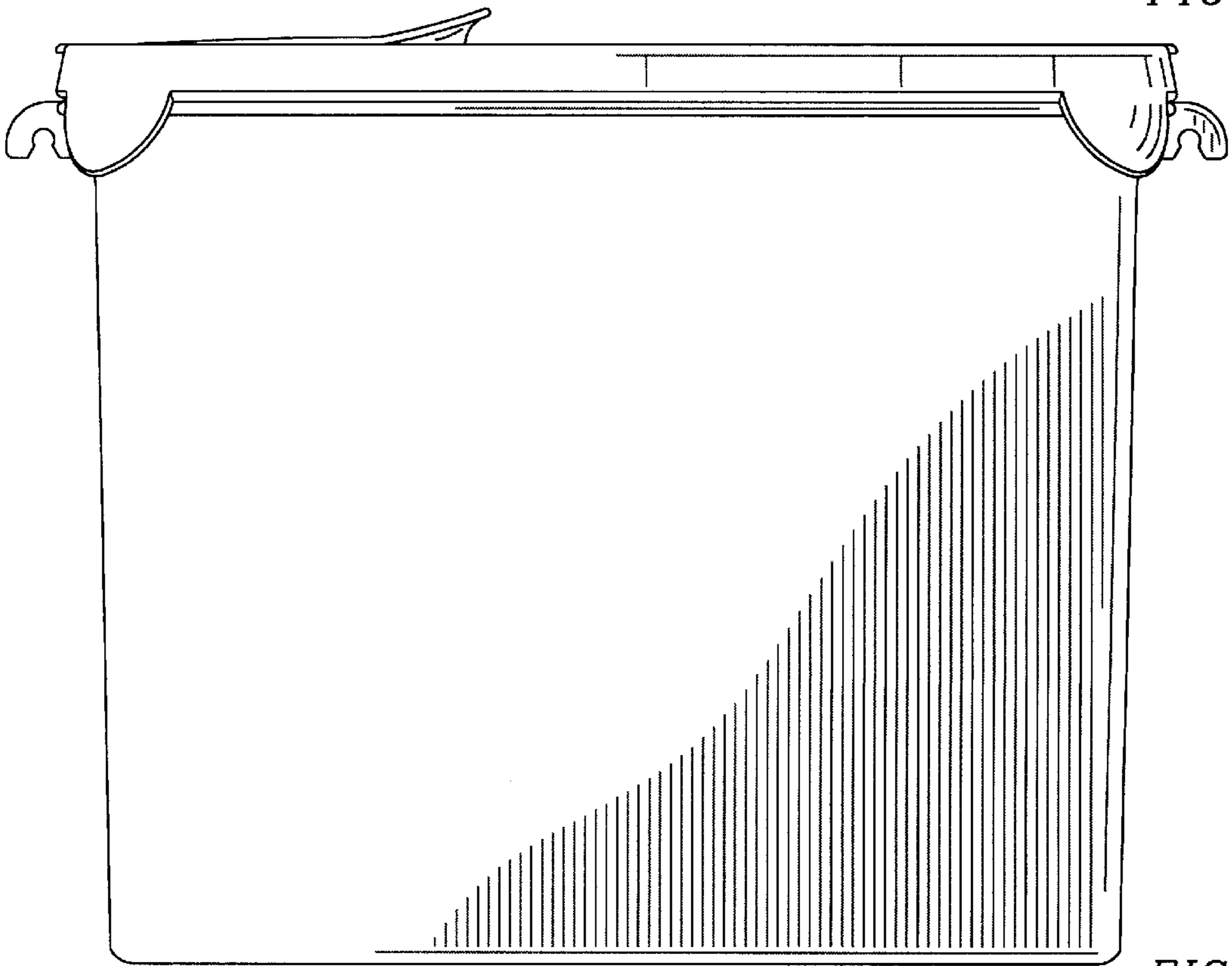


FIG. 3

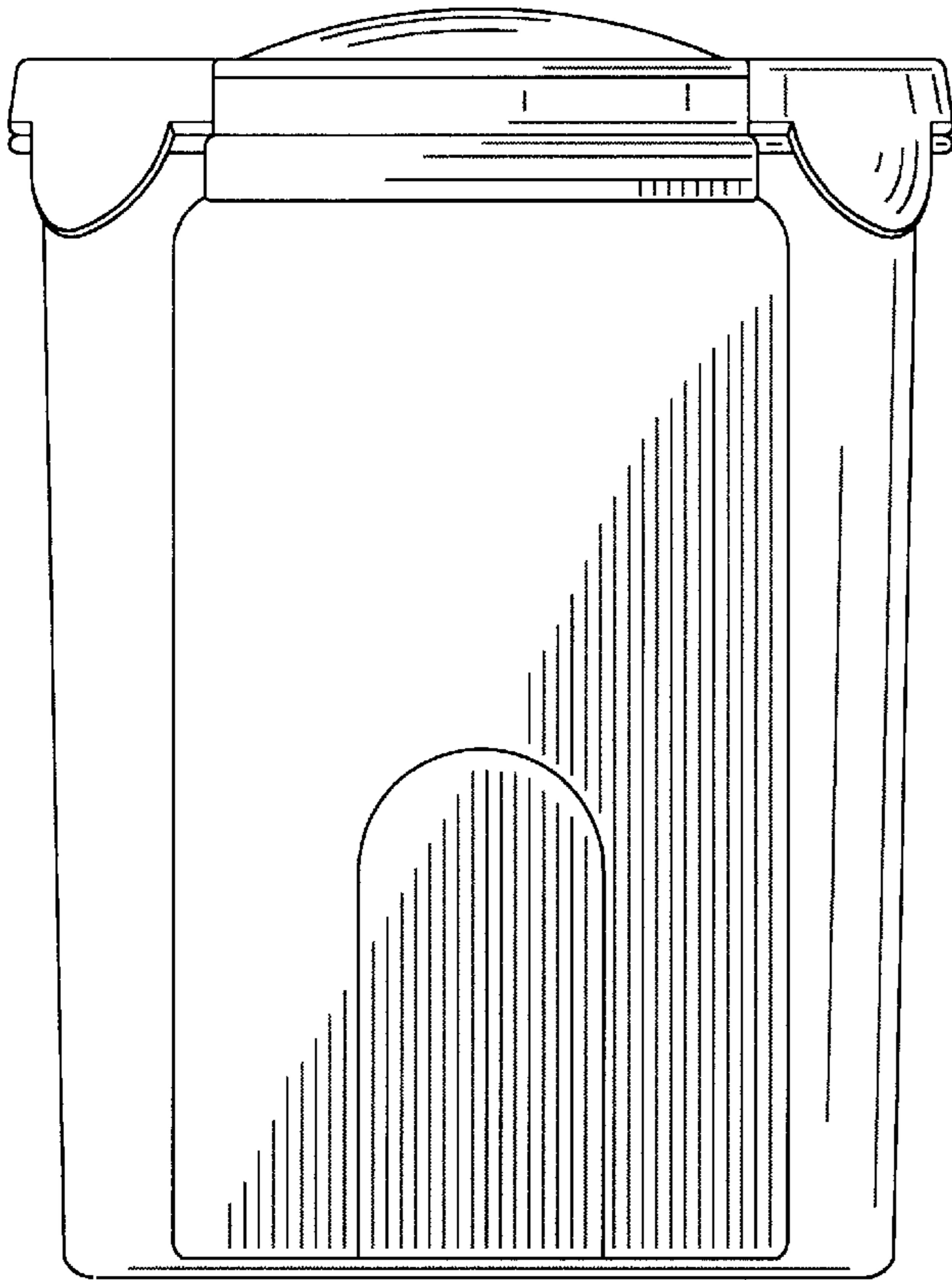


FIG. 4

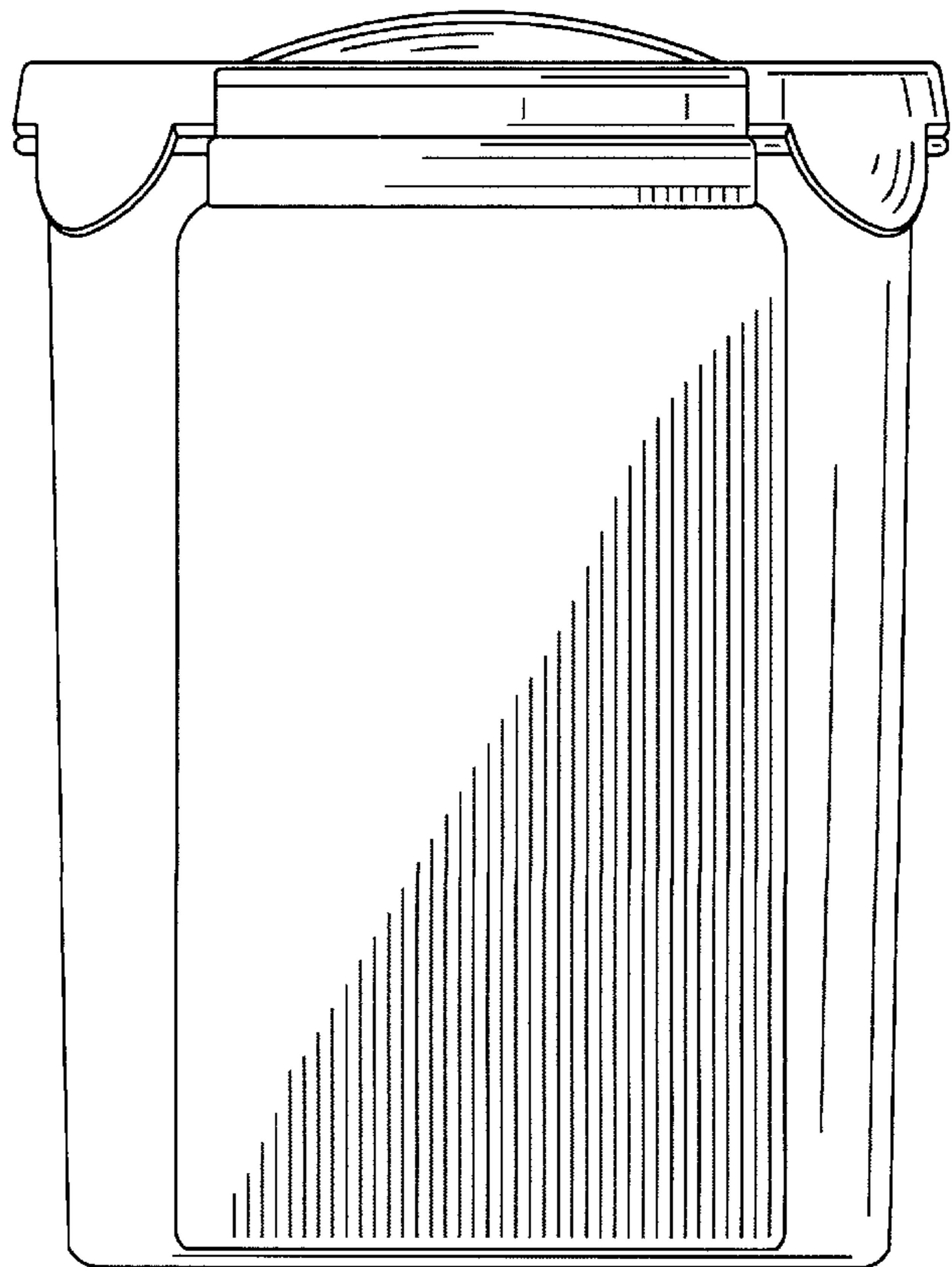


FIG. 5

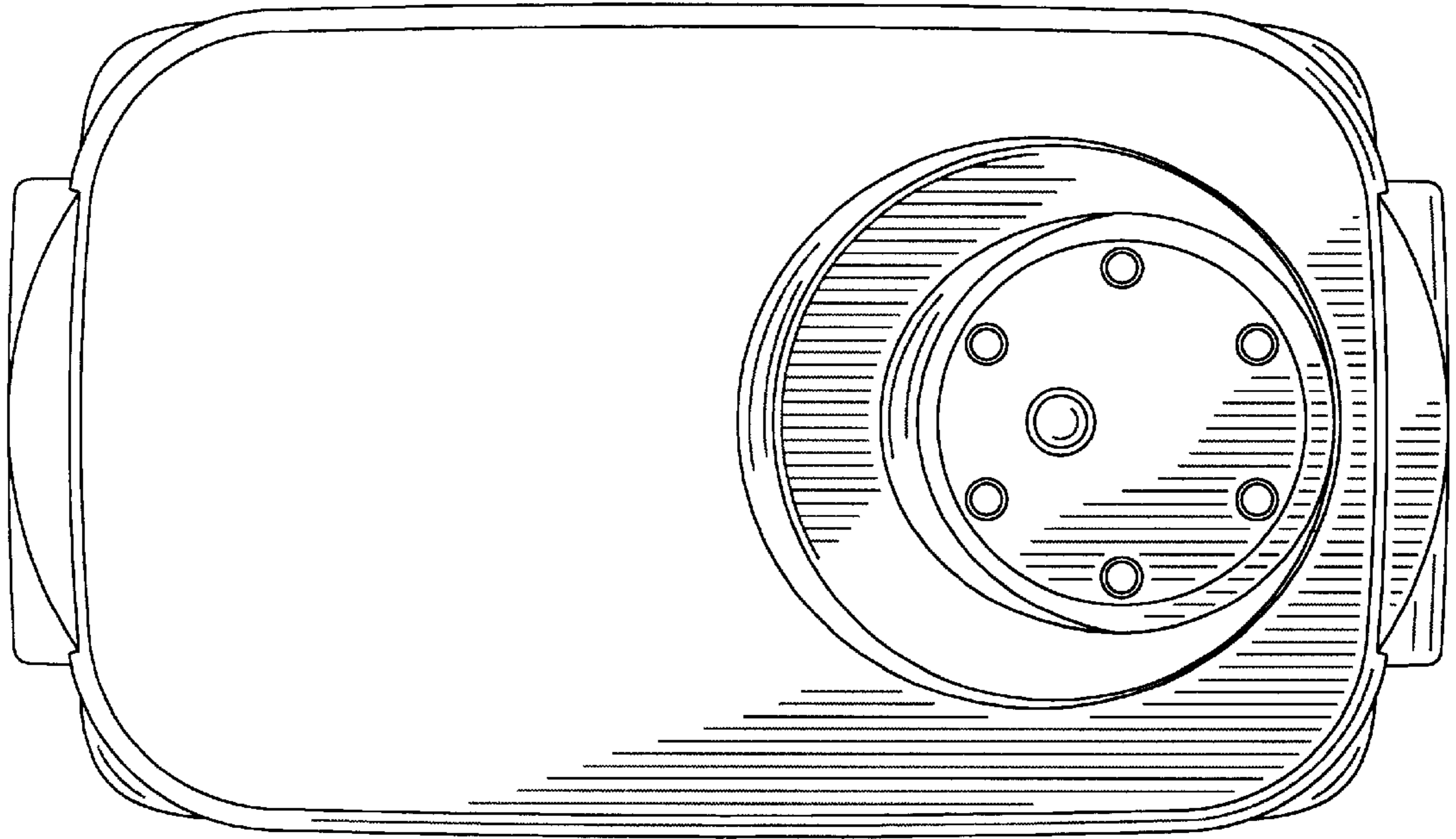


FIG. 6

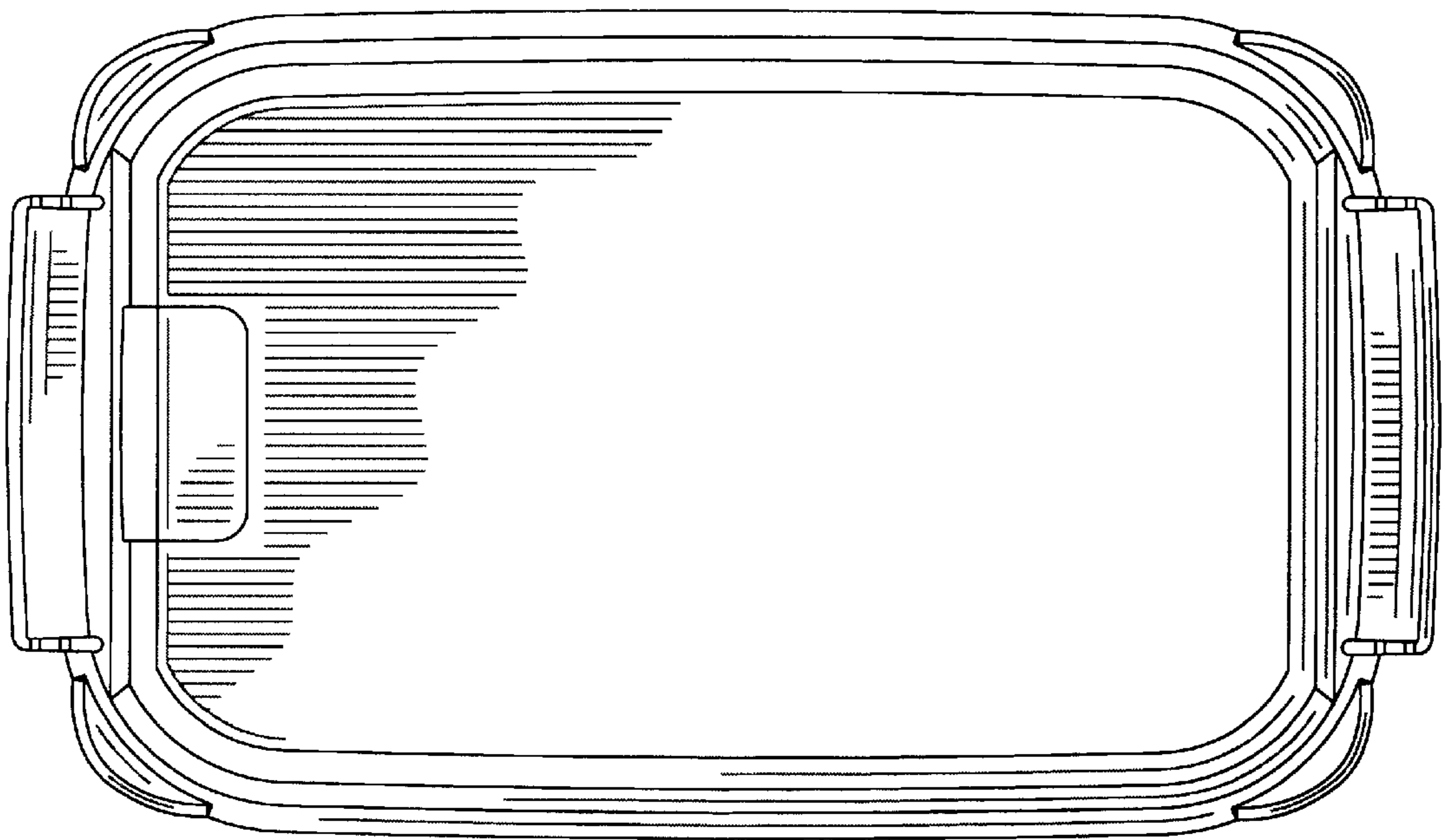


FIG. 7