



US00D469010S

(12) **United States Design Patent**
Valdez et al.

(10) **Patent No.:** **US D469,010 S**
(45) **Date of Patent:** **** Jan. 21, 2003**

(54) **CAP CASE WITH A TRANSPARENT COVER**

5,813,546 A * 9/1998 Wilson et al. 206/461

(76) Inventors: **Dominic M Valdez**, 12120 Oregon Ave., Chino, CA (US) 91710; **Yolanda Valdez**, 12120 Oregon Ave., Chino, CA (US) 91710

* cited by examiner

Primary Examiner—Prabhakar Deshmukh

(**) Term: **14 Years**

(57) **CLAIM**

The ornamental design for a cap case with a transparent cover, as shown and described.

(21) Appl. No.: **29/152,696**

DESCRIPTION

(22) Filed: **Dec. 20, 2001**

(51) **LOC (7) Cl.** **09-03**

(52) **U.S. Cl.** **D9/415**

(58) **Field of Search** D9/415, 418, 420-424, D9/320, 414; 206/8, 461-471, 806, 243

The present invention is related to a hang-able cap case having a case base and a Transparent case cover for protecting a cap from environmental effects, wherein the Transparent cover may optionally comprise at least one anti-ultraviolet ingredient Adapted for mitigating ultraviolet effects.

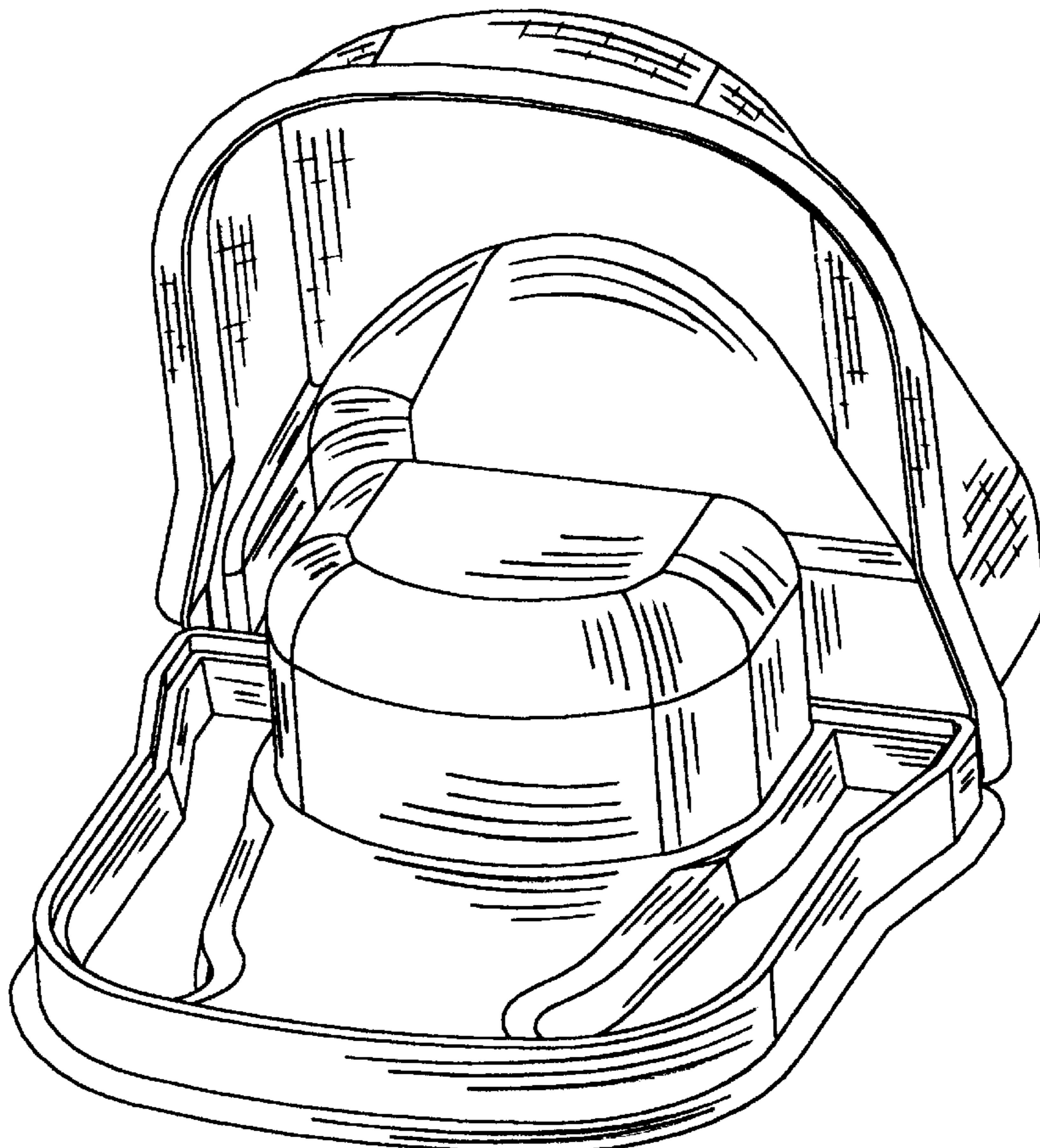
(56) **References Cited**

FIG. 1 is a top plan view of a cap case with a transparent cover showing our new design;
FIG. 2 is a front elevational view thereof;
FIG. 3 is a rear elevational view thereof;
FIG. 4 is a bottom plan view thereof;
FIG. 5 is a side elevational view thereof; and,
FIG. 6 is a perspective view thereof; shown in open position.

U.S. PATENT DOCUMENTS

3,036,698 A	*	5/1962	Gronemeyer	206/8
3,324,994 A	*	6/1967	Rausser, Sr.	206/8
5,022,515 A	*	6/1991	Agostine	206/8
D318,223 S	*	7/1991	Allen	D9/320
D344,233 S	*	2/1994	Peters	D9/415
D355,600 S	*	2/1995	Ford	D9/415
D371,071 S	*	6/1996	Ford	D9/415

1 Claim, 6 Drawing Sheets



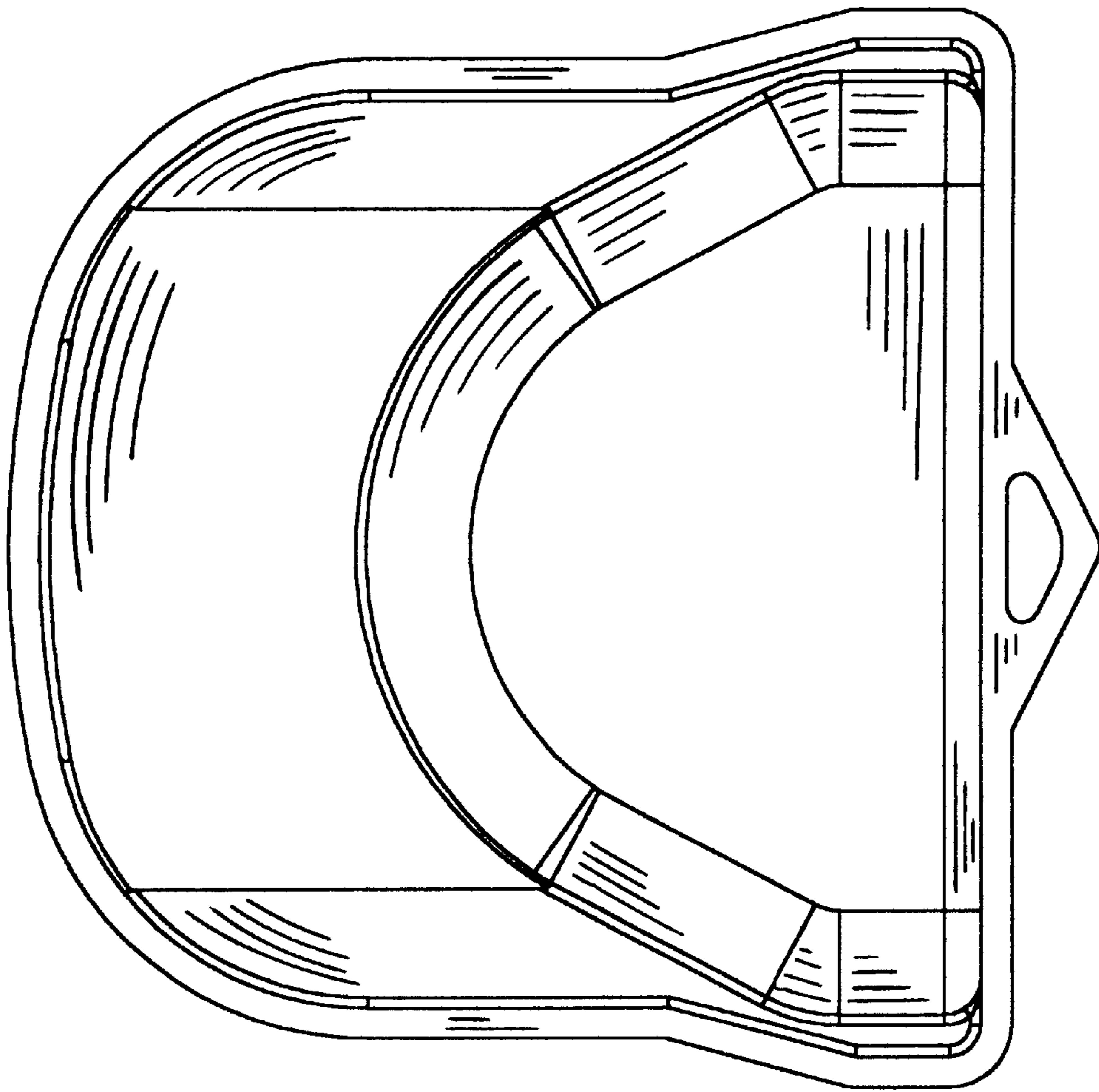


FIG. 1

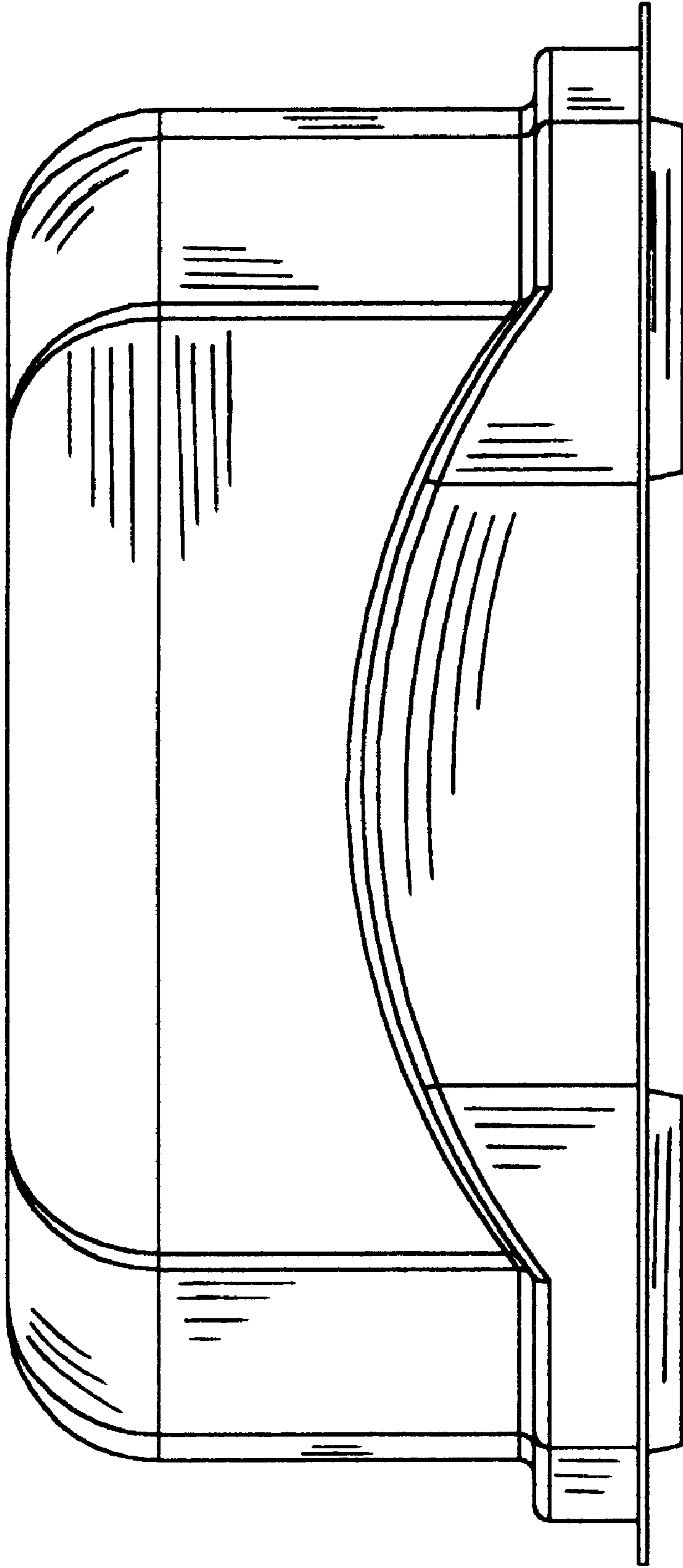


FIG. 2

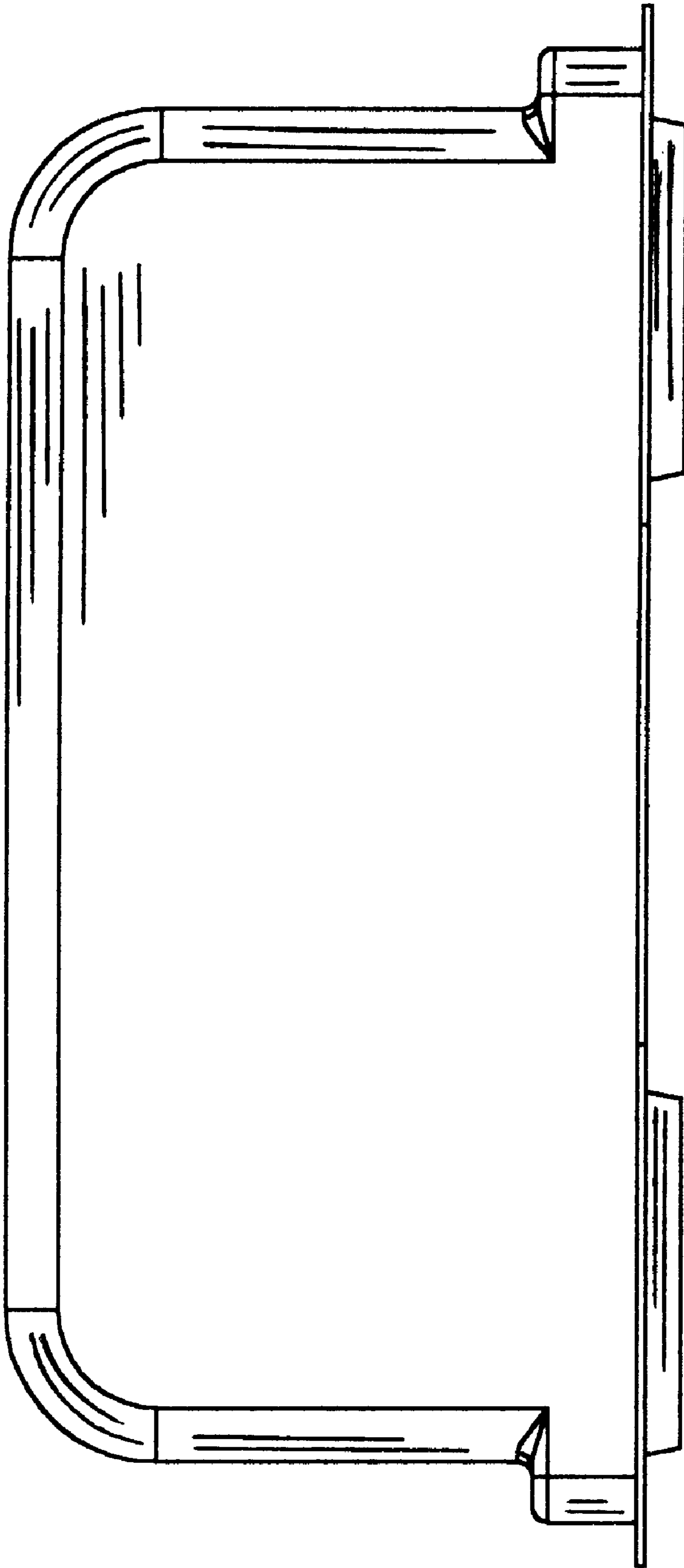


FIG. 3

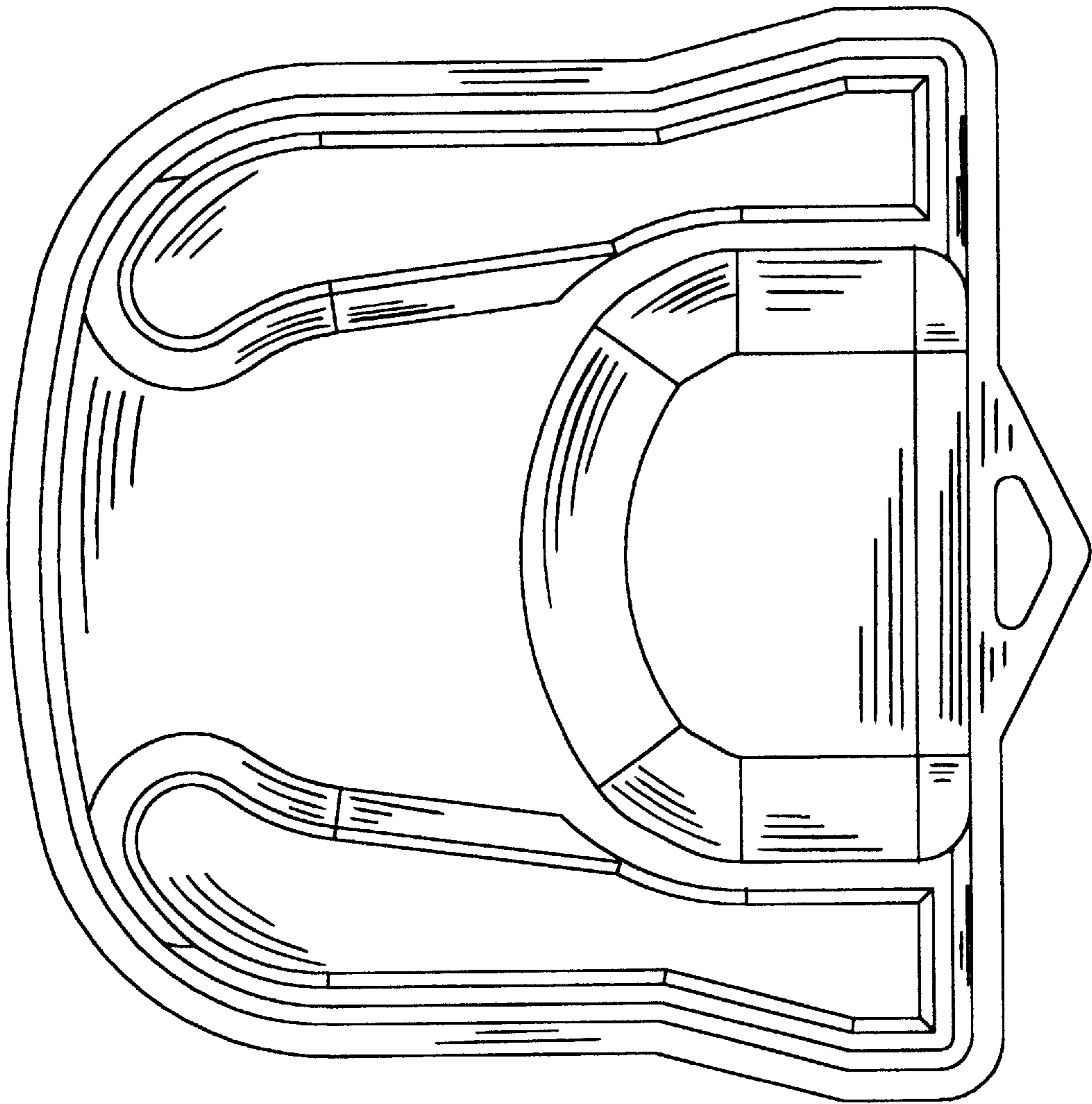


FIG. 4

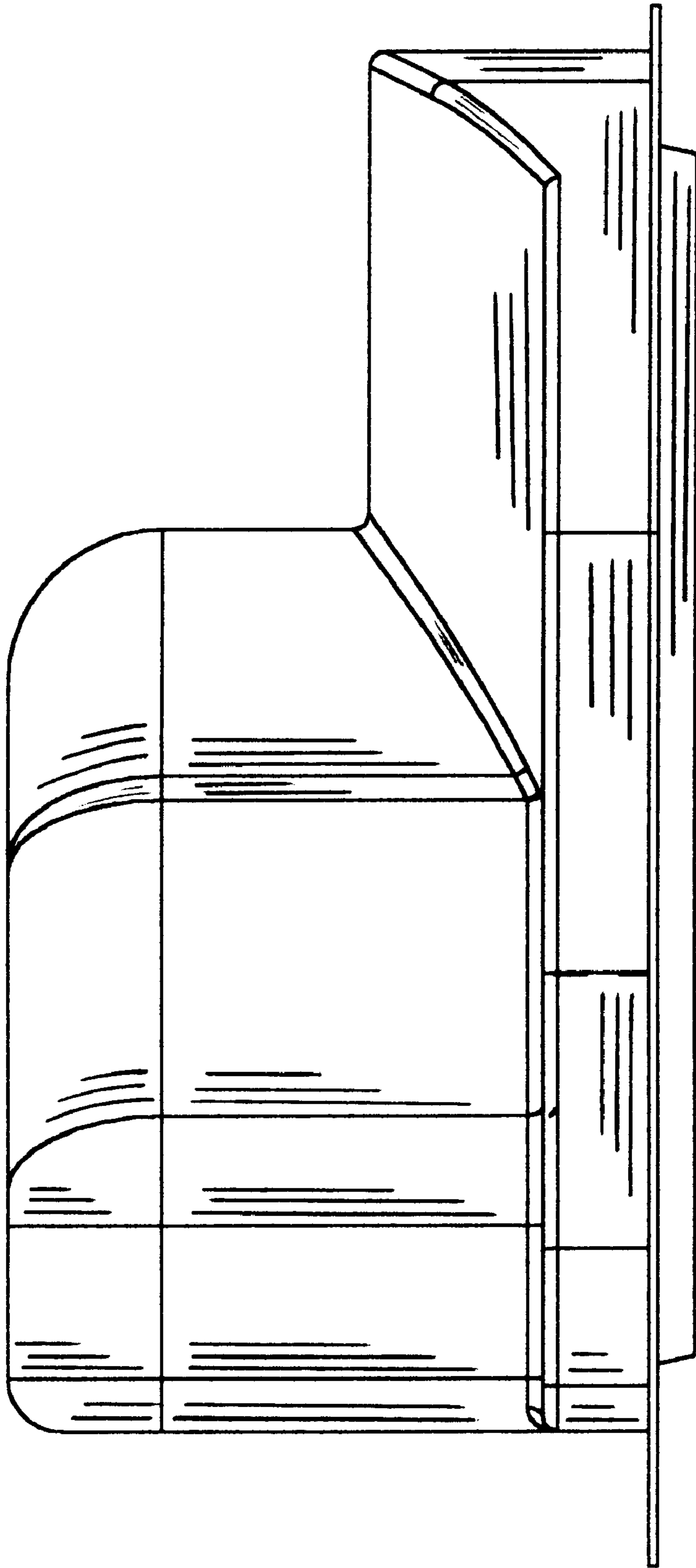


FIG. 5

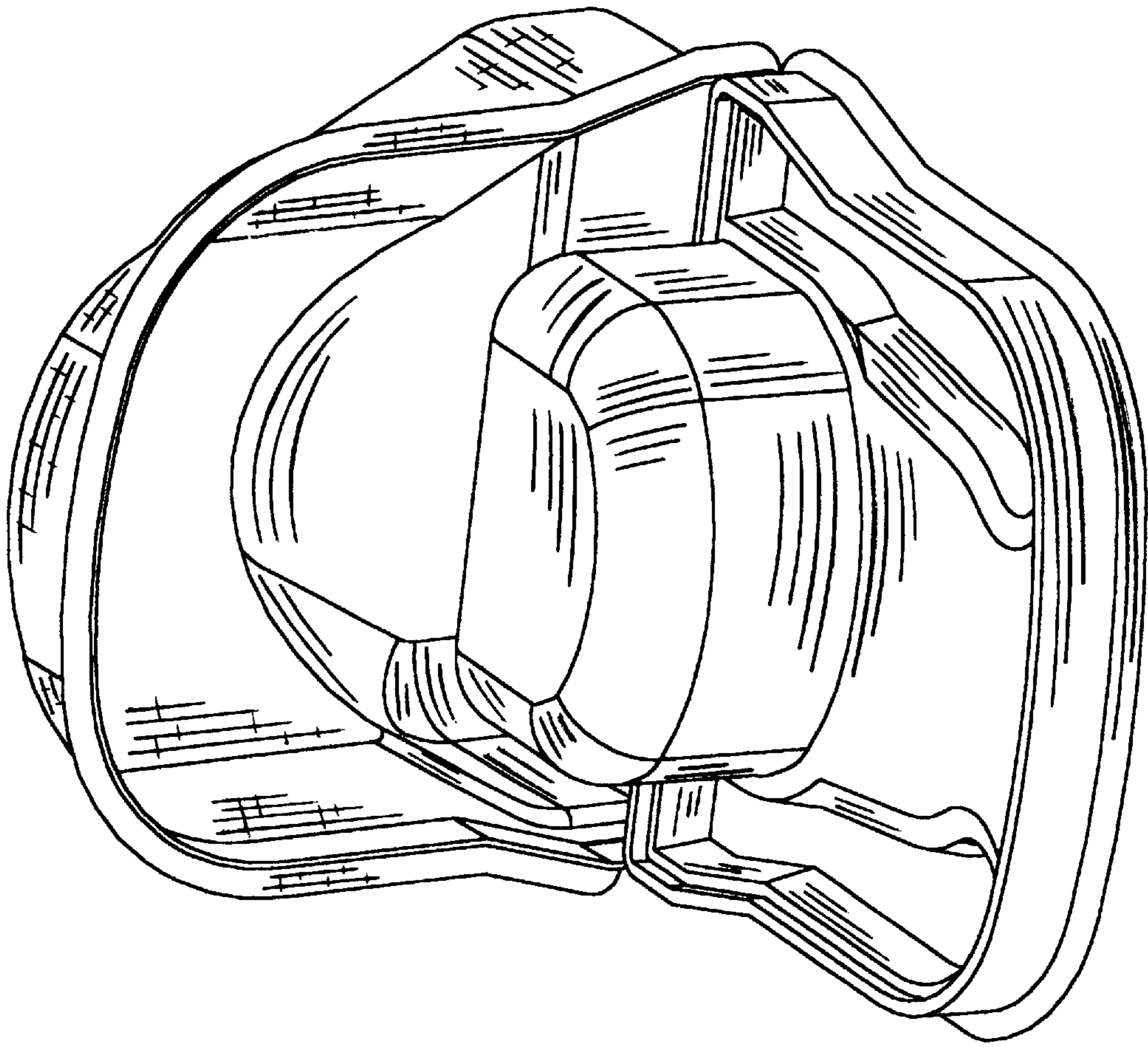


FIG. 6