



US00D469006S

(12) **United States Design Patent**  
**Monson**

(10) **Patent No.:** **US D469,006 S**

(45) **Date of Patent:** **\*\* Jan. 21, 2003**

(54) **BOLT**

(76) **Inventor:** **Brant Monson**, 3875 N. Cove Dr.,  
Provo, UT (US) 84604

(\*\*) **Term:** **14 Years**

(21) **Appl. No.:** **29/151,180**

(22) **Filed:** **Oct. 19, 2001**

**Related U.S. Application Data**

(63) Continuation-in-part of application No. 09/771,119, filed on  
Jan. 26, 2001.

(51) **LOC (7) Cl.** ..... **08-08**

(52) **U.S. Cl.** ..... **D8/387**

(58) **Field of Search** ..... D8/382, 385-388,  
D8/391, 397; 411/107, 108, 259.1, 366,  
368, 371, 377, 378, 395, 398, 402, 403,  
412, 416, 427, 431; 403/322.2; 470/11

(56) **References Cited**

**U.S. PATENT DOCUMENTS**

66,234 A	7/1867	Grilley	
74,692 A	2/1868	Ives	
231,613 A	8/1880	Richards	
316,619 A	4/1885	Hayes	
634,766 A	* 10/1899	Roche	411/419
755,804 A	3/1904	Smith	
1,135,516 A	* 4/1915	Frauenheim	411/385
1,243,799 A	10/1917	Bissell	
1,312,409 A	8/1919	Miller et al.	
1,868,415 A	7/1932	Gundersen et al.	
2,064,342 A	12/1936	England	
2,076,041 A	4/1937	Payne	
2,120,061 A	6/1938	Blakeslee	
2,227,084 A	* 12/1940	Hassig	408/153
2,752,814 A	* 7/1956	Iaia	411/542
3,079,968 A	* 3/1963	Buckley	411/304
3,244,057 A	4/1966	Mathison	
D207,123 S	* 3/1967	Flood	D8/387
3,337,925 A	* 8/1967	Meyer	24/290
D218,226 S	* 8/1970	Painaud	D8/387
3,752,032 A	* 8/1973	Fiddler	411/176

4,121,495 A	* 10/1978	Malo et al.	105/460
4,124,317 A	11/1978	Dauth	
4,484,849 A	* 11/1984	Klimowicz	411/200
4,516,893 A	5/1985	Barth	
D283,301 S	4/1986	Spitz	
4,659,267 A	4/1987	Uno et al.	
4,749,319 A	6/1988	Sygnator	
4,793,319 A	* 12/1988	Vaughan et al.	124/25.6
D303,494 S	* 9/1989	Lange	D8/387
5,044,855 A	9/1991	Fukubayashi	
5,156,509 A	10/1992	Wu	
D335,465 S	* 5/1993	Garrison, III	D10/86
5,214,987 A	6/1993	Fenton, Sr.	
5,549,677 A	8/1996	Dürr et al.	
5,580,199 A	12/1996	Suzuki	
5,795,120 A	8/1998	Hurdle	
5,913,650 A	6/1999	Daoud	
5,919,020 A	* 7/1999	Walther	411/368
D418,048 S	12/1999	Chan	
6,042,314 A	* 3/2000	Guelck	29/525.11
D422,202 S	4/2000	Maki	
6,045,312 A	4/2000	Hsing	
6,317,936 B1	11/2001	McDaid et al.	
6,318,924 B1	11/2001	Schiavo, Jr.	
6,321,623 B1	11/2001	Dykes et al.	
6,343,808 B1	2/2002	Luh	

\* cited by examiner

*Primary Examiner*—Alan P. Douglas

*Assistant Examiner*—Clare E. Heflin

(74) *Attorney, Agent, or Firm*—Morris, Bateman,  
O'Bryant & Compagni, P.C.

(57) **CLAIM**

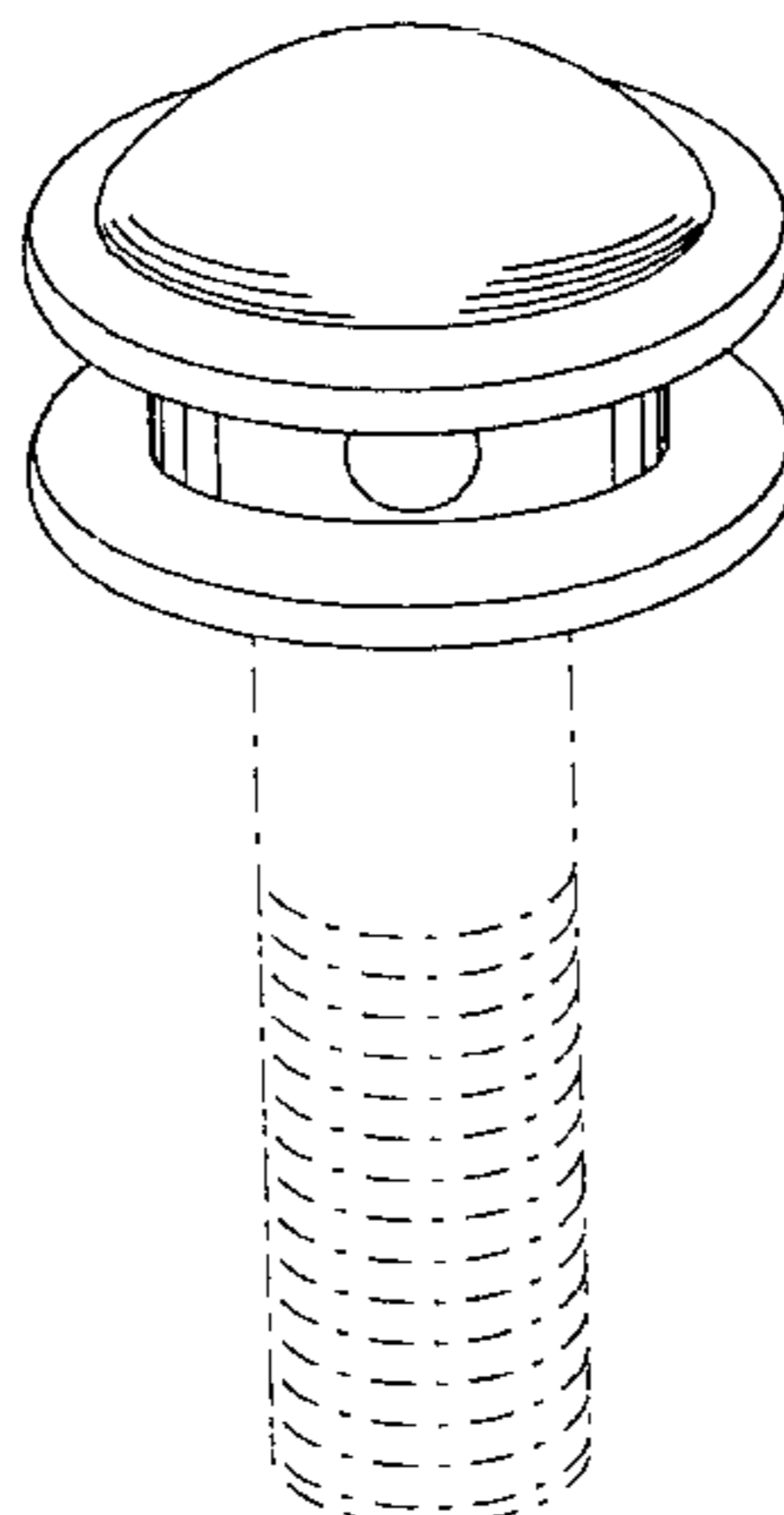
The ornamental design for a bolt, as shown and described.

**DESCRIPTION**

FIG. 1 is a top view of the bolt of the present invention;  
FIG. 2 is a side view of the bolt of FIG. 1 made in  
accordance with the present invention, each of the other side  
views being the same but omitting the hole;  
FIG. 3 is a perspective view of the bolt of FIG. 1 made in  
accordance with the design of the present invention; and,  
FIG. 4 is a bottom view of the bolt of FIG. 1.

The broken lines shown on the drawings are for illustrative  
purposes only and form no part of the claimed design.

**1 Claim, 1 Drawing Sheet**



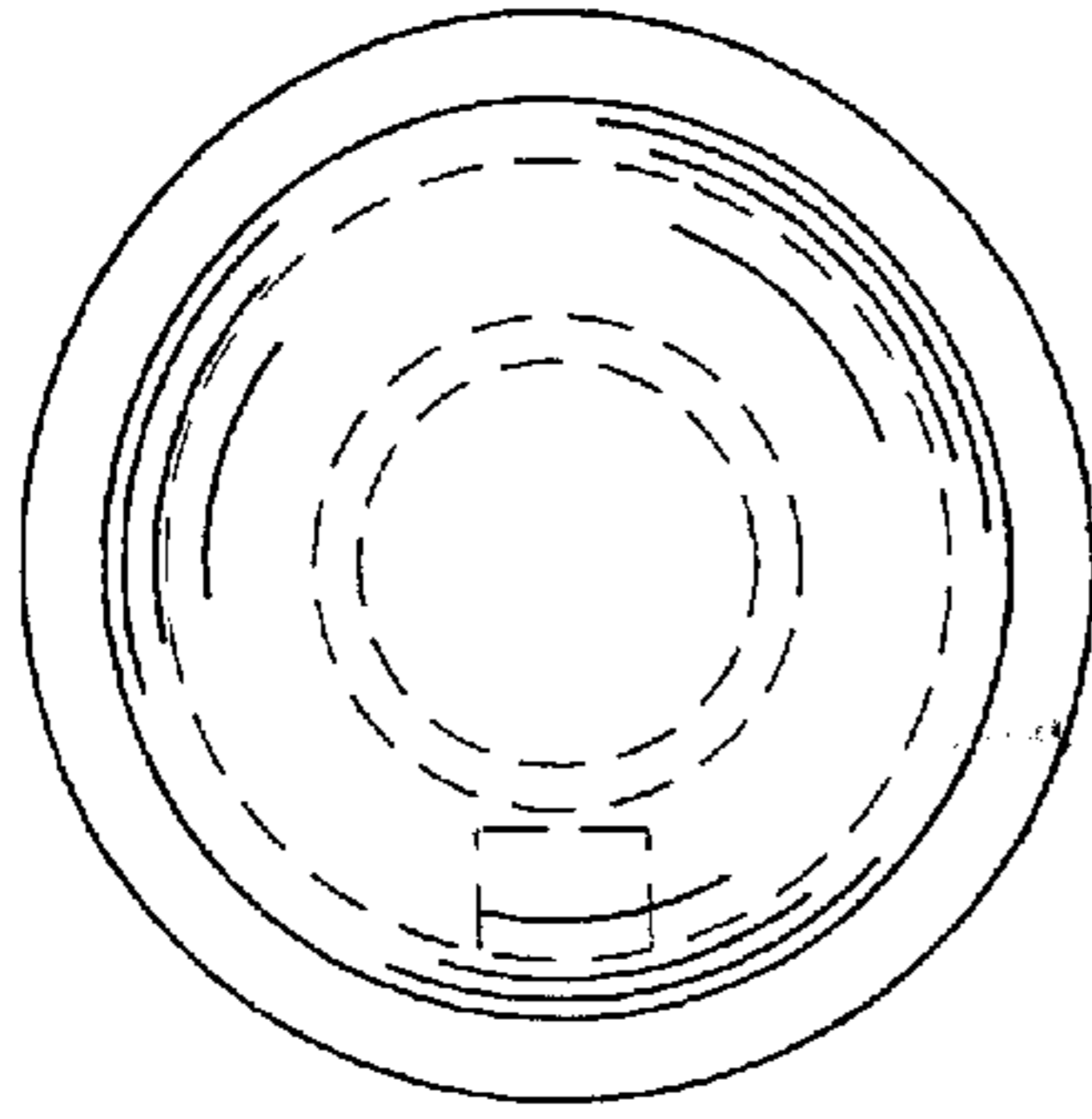


FIG. 1

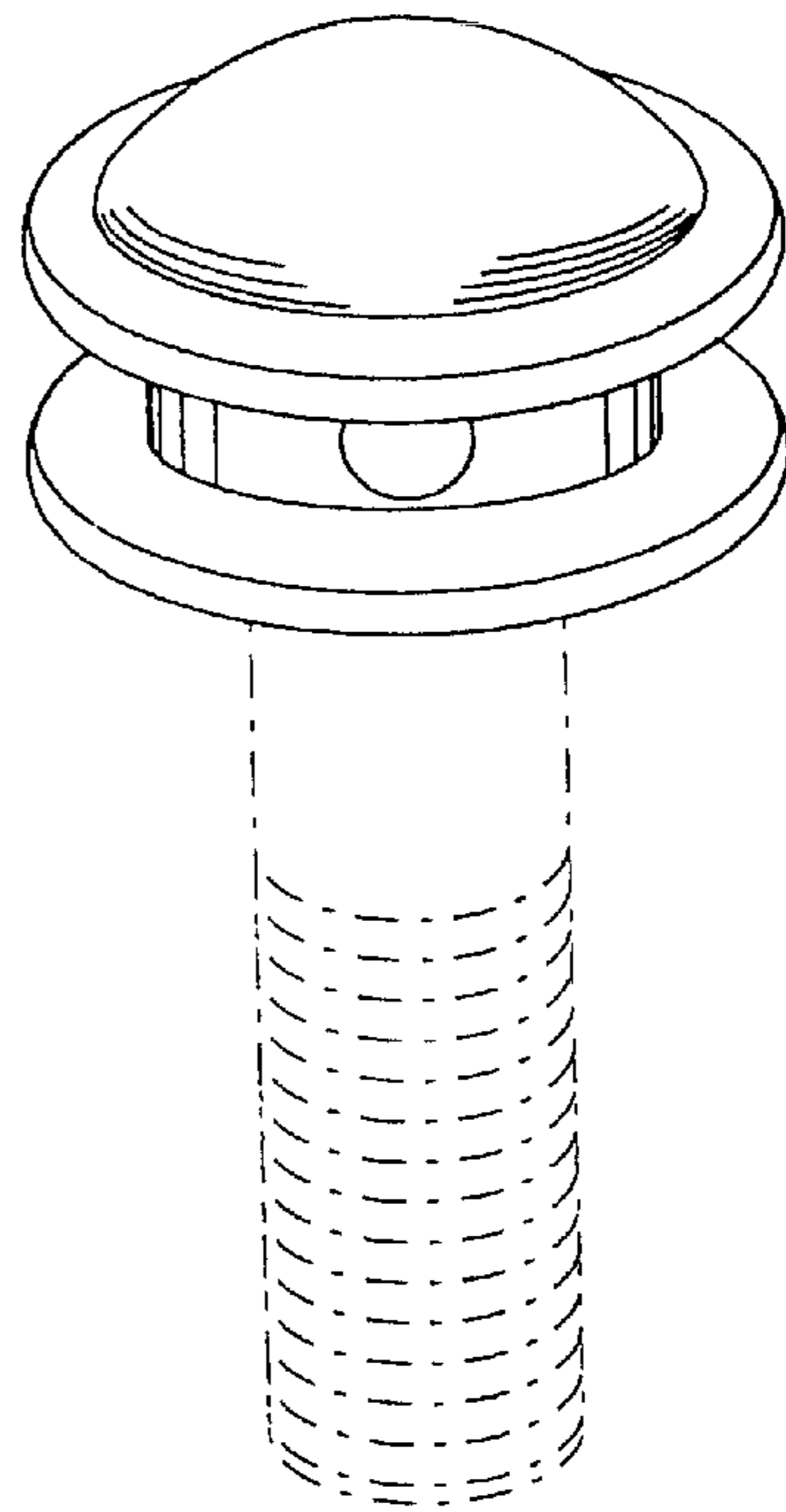


FIG. 3

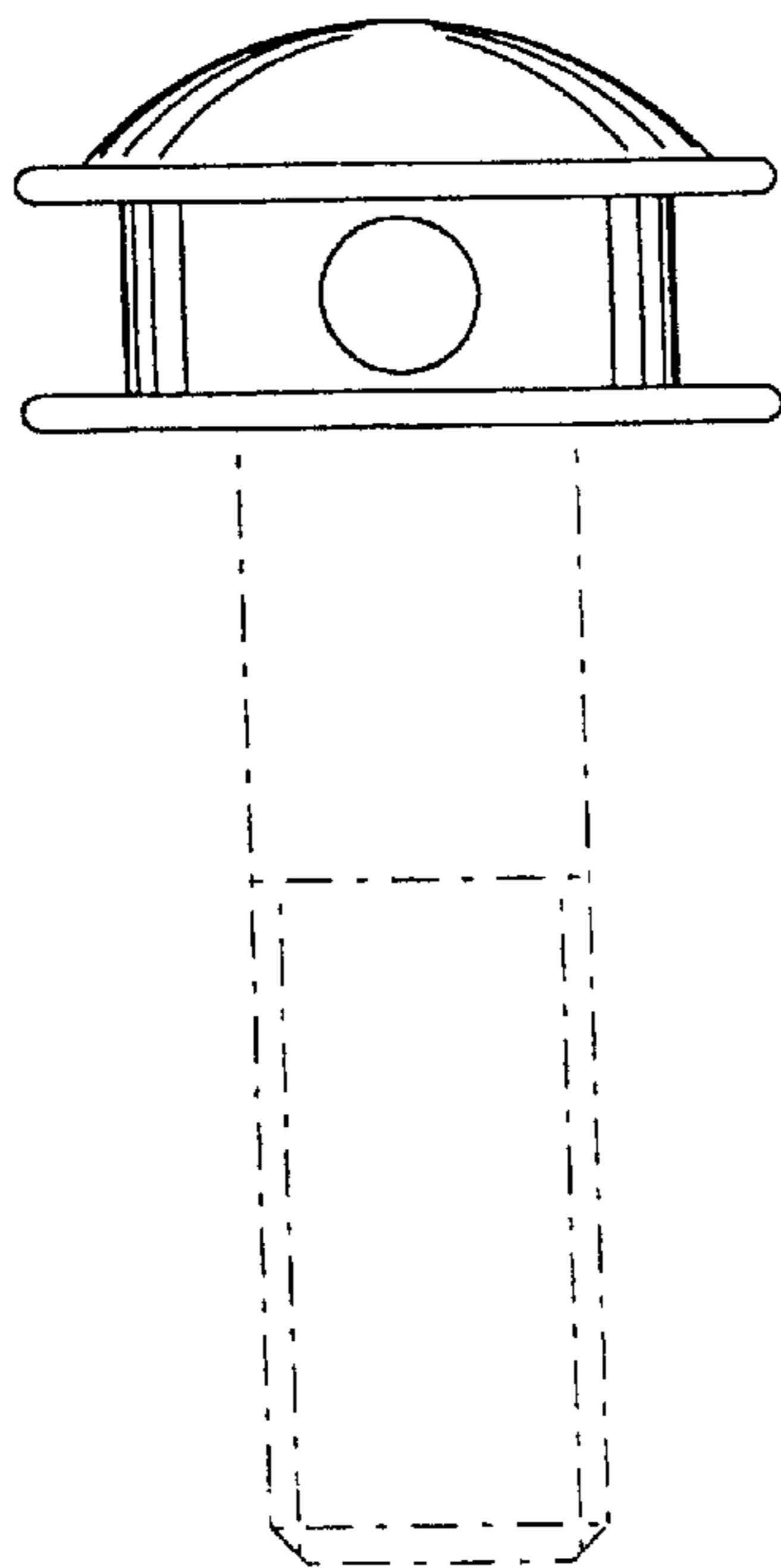


FIG. 2

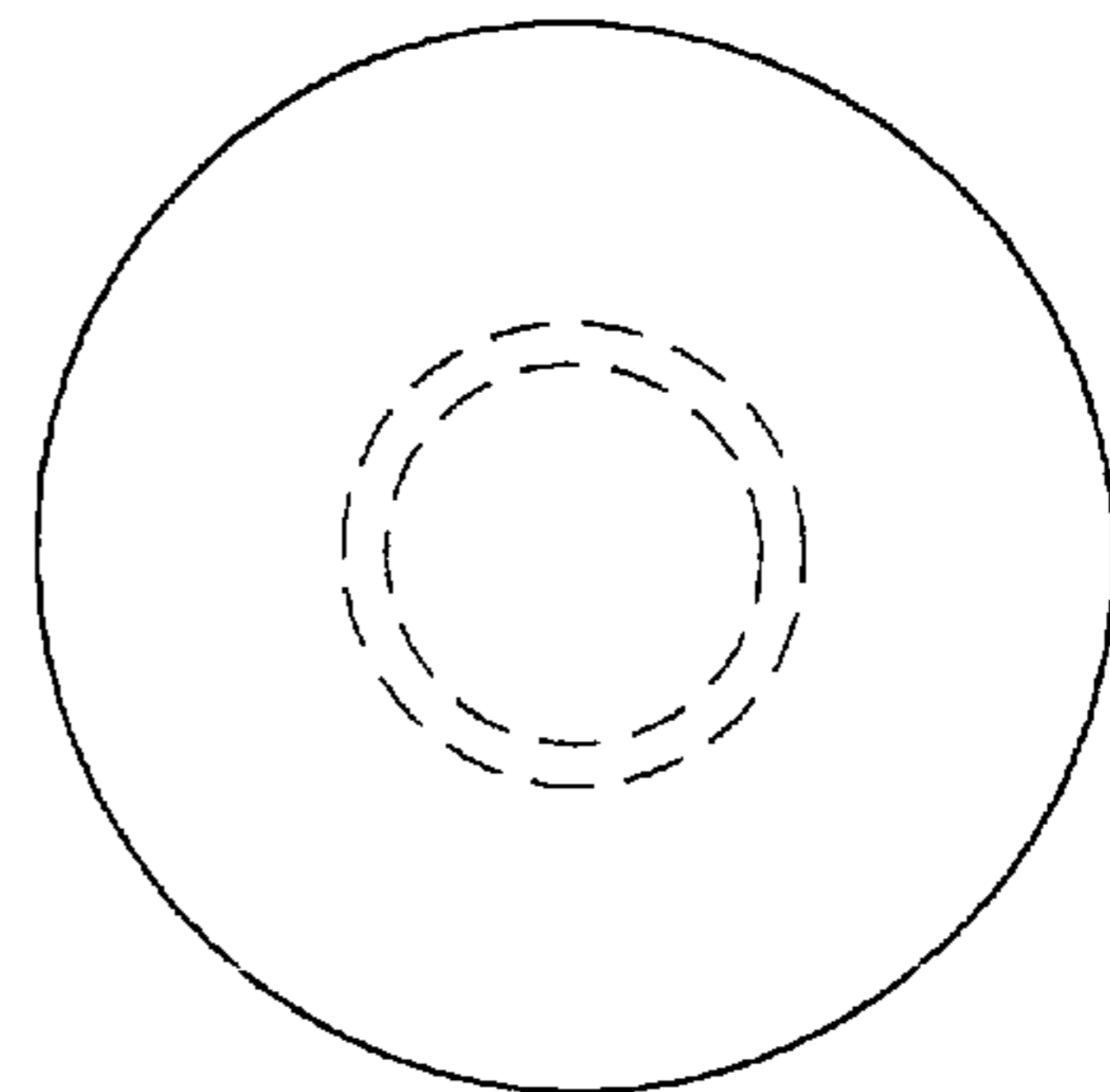


FIG. 4