



US00D469005S

(12) **United States Design Patent**  
**Ellis et al.**

(10) **Patent No.:** **US D469,005 S**  
(45) **Date of Patent:** **\*\* Jan. 21, 2003**

(54) **CAPTIVE SCREW**

**FOREIGN PATENT DOCUMENTS**

(75) Inventors: **Thomas J. Ellis**, Wilmington, DE (US);  
**Edward A. McCormack**, Chadds Ford,  
PA (US); **Harry L. Dickerson**,  
Downingtown, PA (US); **William R.**  
**Frame**, Brookhaven, PA (US); **Steven**  
**M. Lubeck**, Aldan, PA (US)

CA	558456	6/1958
CA	766082	8/1967
FR	3245450	11/1962
FR	2268977	4/1975
FR	2578009	2/1986
FR	2636384	9/1988
GB	626013	9/1949
GB	825877	12/1959
GB	1579730	11/1980

(73) Assignee: **Southco, Inc.**, Concordville, PA (US)

(\*\*) Term: **14 Years**

**OTHER PUBLICATIONS**

(21) Appl. No.: **29/120,903**

Southco Latches and Access Hardware Handbook 45 NA,  
pp. B19-B22 and C1-C44.

(22) Filed: **Mar. 28, 2000**

Southco Latches and Access Hardware Handbook n -47  
NA, pp. C1-C3.

**Related U.S. Application Data**

(List continued on next page.)

(63) Continuation-in-part of application No. 29/107,132, filed on  
Jun. 28, 1999, now abandoned, which is a continuation-in-  
part of application No. 29/089,913, filed on Jun. 25, 1998,  
now abandoned.

*Primary Examiner*—Alan P. Douglas

*Assistant Examiner*—Clare E. Heflin

(74) *Attorney, Agent, or Firm*—Paul & Paul

(51) **LOC (7) Cl.** ..... **08-08**

(57) **CLAIM**

(52) **U.S. Cl.** ..... **D8/387**

The ornamental design for a captive screw, as shown and  
described.

(58) **Field of Search** ..... D8/382, 387; 411/107,  
411/111, 112, 113, 171, 180, 353, 372,  
396, 437, 510, 512, 533, 970, 999

**DESCRIPTION**

(56) **References Cited**

FIG. 1 is a top plan view of the captive screw showing our  
new design;

**U.S. PATENT DOCUMENTS**

FIG. 2 is a side elevation thereof, the remaining sides being  
identical;

748,078 A	12/1903	Kaisling
1,166,345 A	12/1915	Gates
1,188,420 A	6/1916	Eadie
1,664,820 A	4/1928	Hughes
2,006,359 A	7/1935	Lackner
2,151,255 A	3/1939	Witchger
2,331,322 A	10/1943	Heinick
D140,862 S	4/1945	Conlan
D140,863 S	4/1945	Conlan
2,464,133 A	3/1949	Herbert
2,470,927 A	5/1949	Hale, Jr.
2,503,189 A	4/1950	Biba, Jr.

FIG. 3 is a perspective view thereof;

FIG. 4 is a bottom plan view thereof;

FIG. 5 is a top plan view of the captive screw showing a  
second embodiment of our new design;

FIG. 6 is a side elevation thereof, the remaining sides being  
identical;

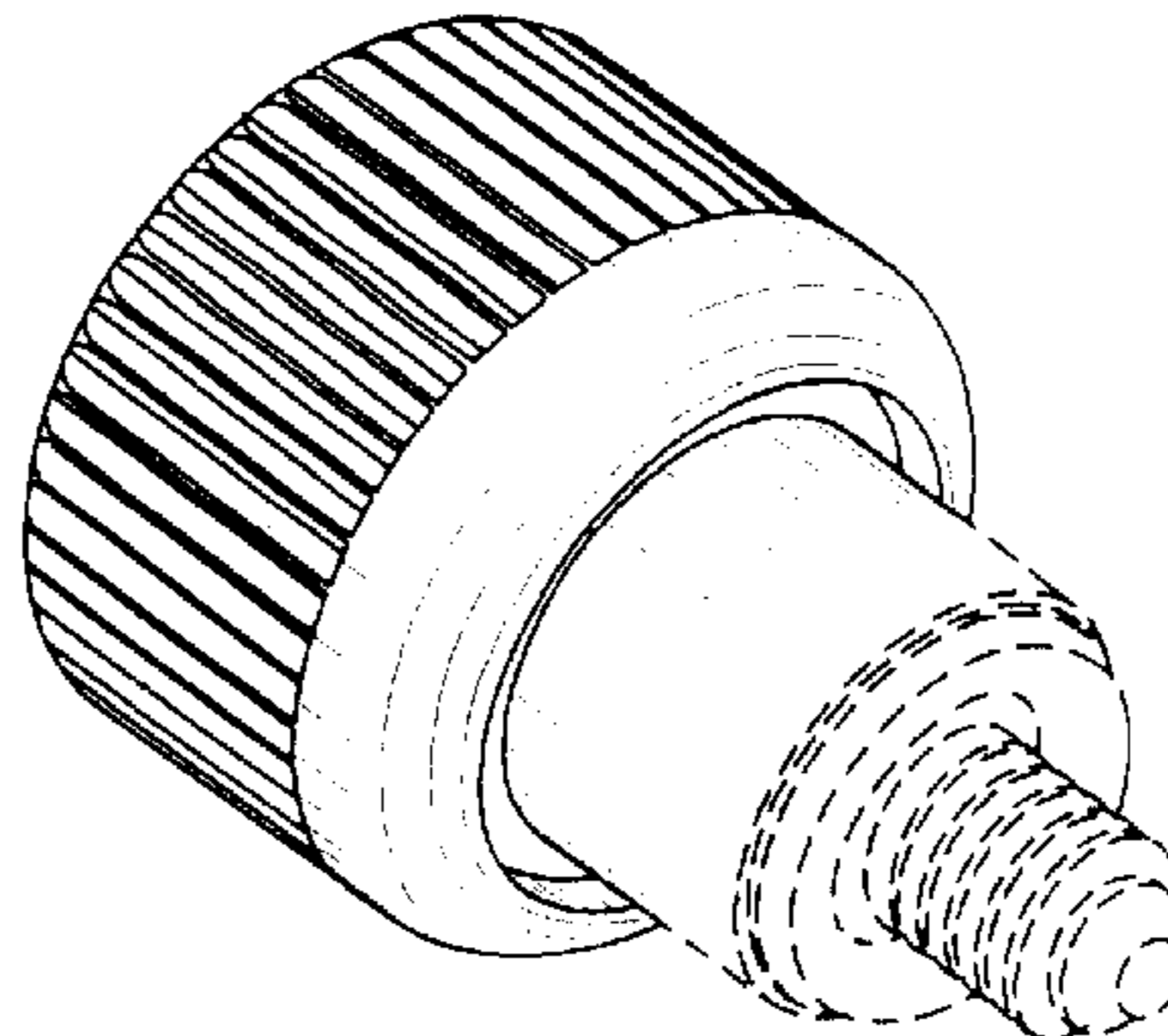
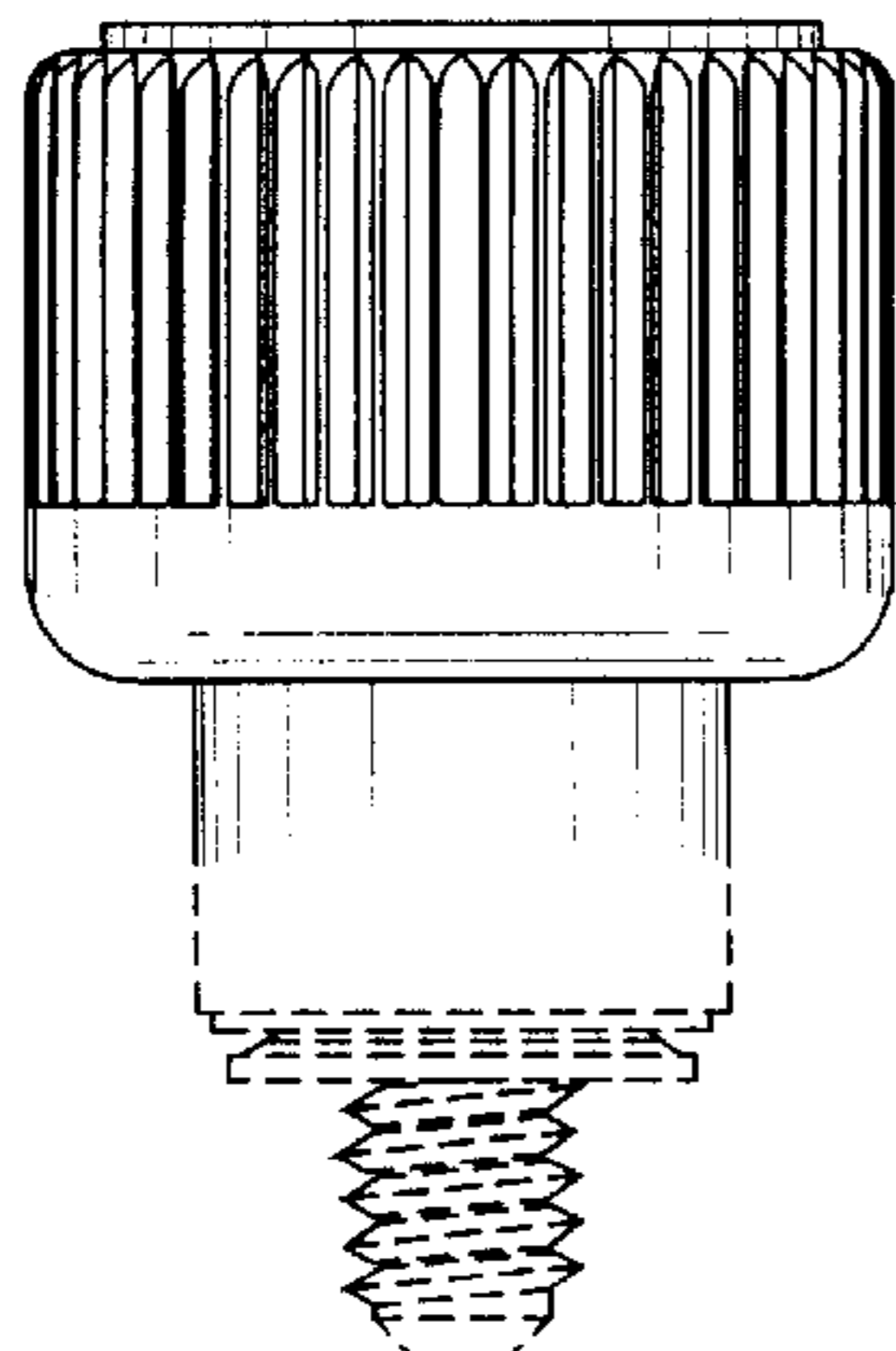
FIG. 7 is a perspective view thereof; and,

FIG. 8 is a bottom plan view thereof.

The broken lines in the figures are for illustrative purposes  
only and form no part of the claimed design.

(List continued on next page.)

**1 Claim, 2 Drawing Sheets**



U.S. PATENT DOCUMENTS

2,553,236 A	5/1951	Bratfisch	5,120,168 A	6/1992	Padula
2,831,520 A	4/1958	Clarke	5,209,018 A	5/1993	Heinrich
2,987,811 A	6/1961	Acres	5,336,028 A	8/1994	Yamamoto
3,033,260 A	5/1962	Snow	5,338,139 A	8/1994	Swanstrom
3,052,942 A	9/1962	Mulvaney	5,382,124 A	1/1995	Frattarola
3,059,736 A	10/1962	Boyd	D357,176 S	4/1995	Ernest et al.
3,126,935 A	3/1964	Tuozzo	5,429,467 A	7/1995	Gugle et al.
3,137,336 A	6/1964	Wing	5,537,262 A	7/1996	Aoki et al.
3,180,389 A	4/1965	Frank	5,544,992 A	8/1996	Ciobanu et al.
3,195,600 A	7/1965	Middleton, Jr.	5,611,654 A	3/1997	Frattarola et al.
3,204,680 A	9/1965	Barry	5,642,972 A	7/1997	Ellis et al.
3,209,807 A	10/1965	Ryner	5,667,346 A	9/1997	Sharp
3,244,212 A	4/1966	Barry	D388,316 S	12/1997	McDonough et al.
3,245,450 A	4/1966	Sauter	5,741,101 A	4/1998	Gulistan
3,250,559 A	5/1966	Sommerfeld	D400,430 S	11/1998	McDonough et al.
3,263,728 A	8/1966	Lynch	D402,522 S	12/1998	Gillman
3,279,302 A	10/1966	Modrey	5,851,095 A	12/1998	Ellis et al.
3,343,581 A	9/1967	Martin et al.	5,865,582 A	2/1999	Ellis et al.
3,346,032 A	10/1967	Gulistan	D411,952 S	7/1999	Alderisio, Jr.
3,385,341 A	5/1968	Garstkiewicz	D417,827 S	12/1999	Gillman
3,437,119 A	4/1969	Dey	6,033,168 A	3/2000	Creely, III et al.
3,465,803 A	9/1969	Ernest et al.			
3,564,563 A	2/1971	Trotter et al.			
3,718,950 A	3/1973	Engstrom			
3,912,411 A	10/1975	Moffat			
3,958,308 A	5/1976	Gooding			
4,007,516 A	2/1977	Coules			
4,047,266 A	9/1977	Bisbing			
4,387,497 A	6/1983	Gulistan			
4,398,322 A	8/1983	Ewen			
4,472,098 A	9/1984	Kiefer			
4,492,500 A	1/1985	Ewing			
D283,591 S	4/1986	Swanstrom			
4,602,903 A	7/1986	Wilburn			
4,692,075 A	9/1987	Metz			
4,915,557 A	4/1990	Stafford			
4,952,107 A	8/1990	Dupree			
5,042,880 A	8/1991	Garuti et al.			
5,056,974 A	10/1991	Dolin			
D324,479 S	3/1992	Tinz			
5,094,579 A	3/1992	Johnson			

OTHER PUBLICATIONS

Penn Engineering & Manufacturing Corp., Snap-Top Stand-offs, Pem Bulletin SSA-988, (Danboro, PA).

Penn Engineering & Manufacturing Corp., Fasteners for Use In or With PC Boards, Pem Bulletin K-488, (Danboro, PA).

Penn Engineering & Manufacturing Corp., "Type PF 11 Self-Clinching Panel Fastener Assembly," Pem Bulletin PF11-297, (Danboro, PA). ©1997.

Penn Engineering & Manufacturing Corp., Fastener Guide-Pem's 1996 Catalog, (Danboro, PA).

Camloc Fasteners, 1993 Catalog, pp. C8-C12 (Hasbrouck Heights, NJ).

Huck International, Inc., "Captive Fasteners and Rivetless Nut Plates," Huck 1996 Catalog (California, 90712).

Huck International, Inc., Deutschert, Press-in Captive Screw, Floating, Retractable, 1 pg., Lakewood, CA 1994.

Matdan American Corp., Brochure, (Cincinnati, Ohio).

Kanebridge Corp., 1994 Catalog, pp. I, III, 211-214, 245-246 (New Jersey).

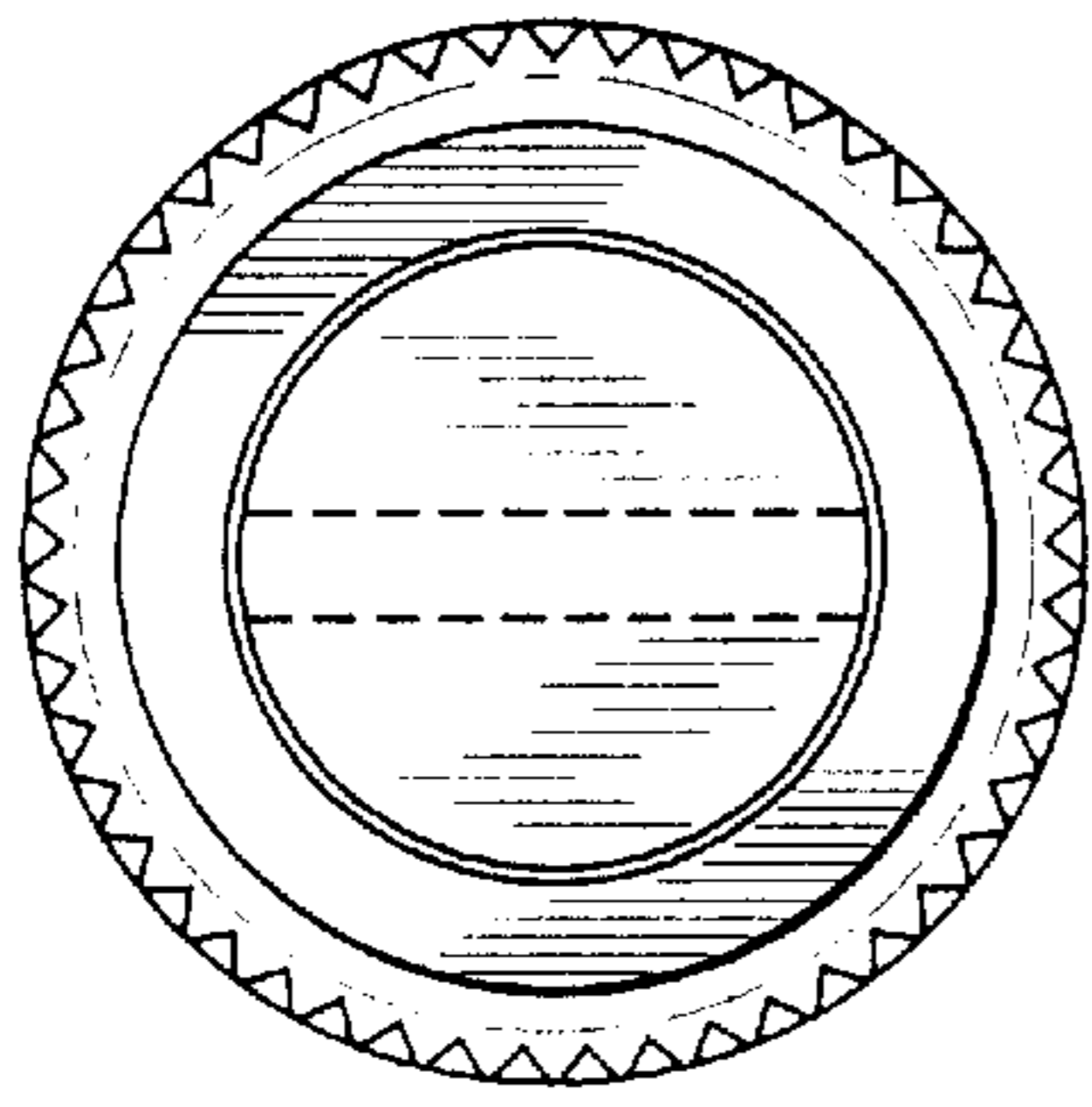


FIG. 1

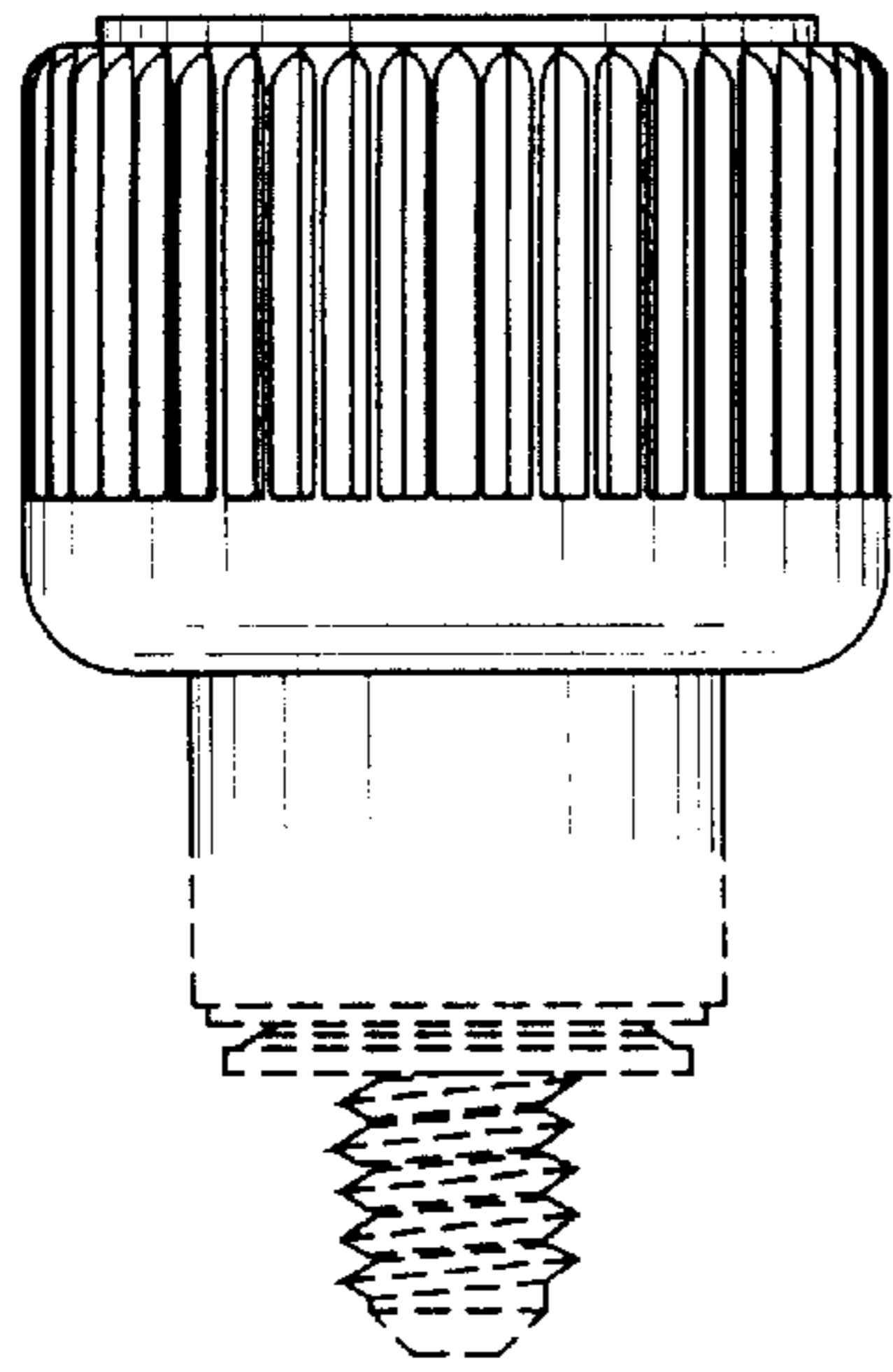


FIG. 2

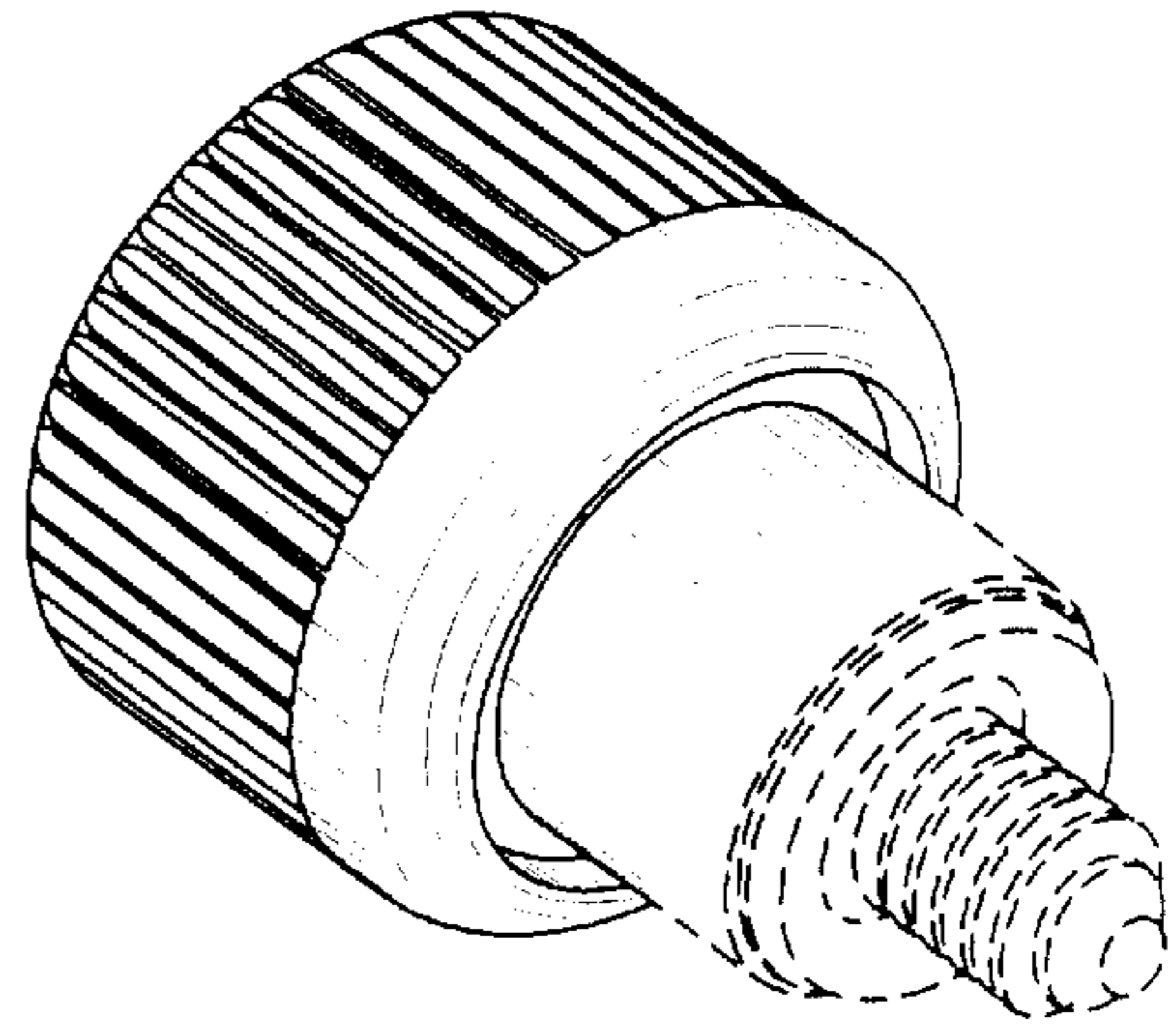


FIG. 3

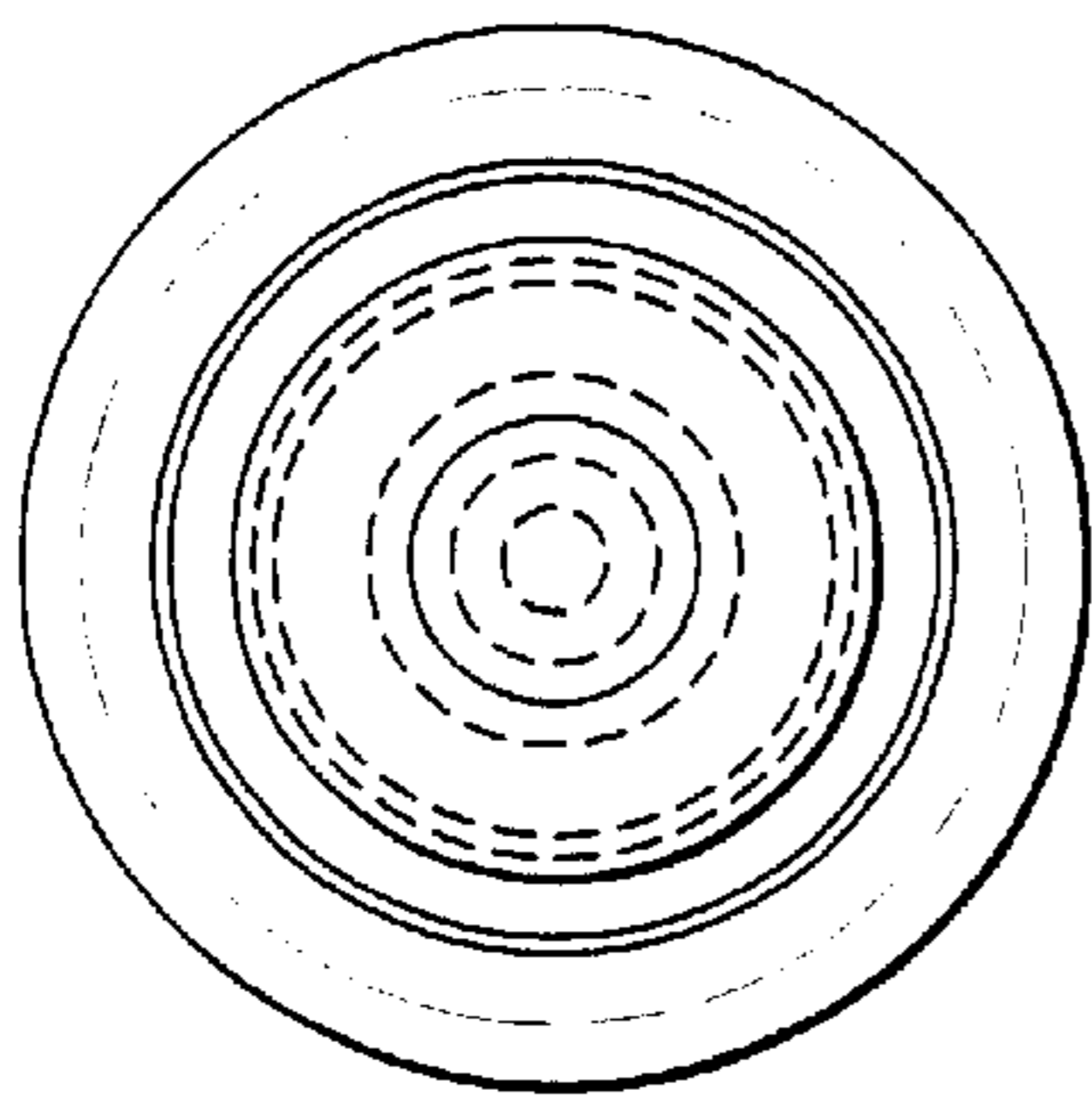


FIG. 4

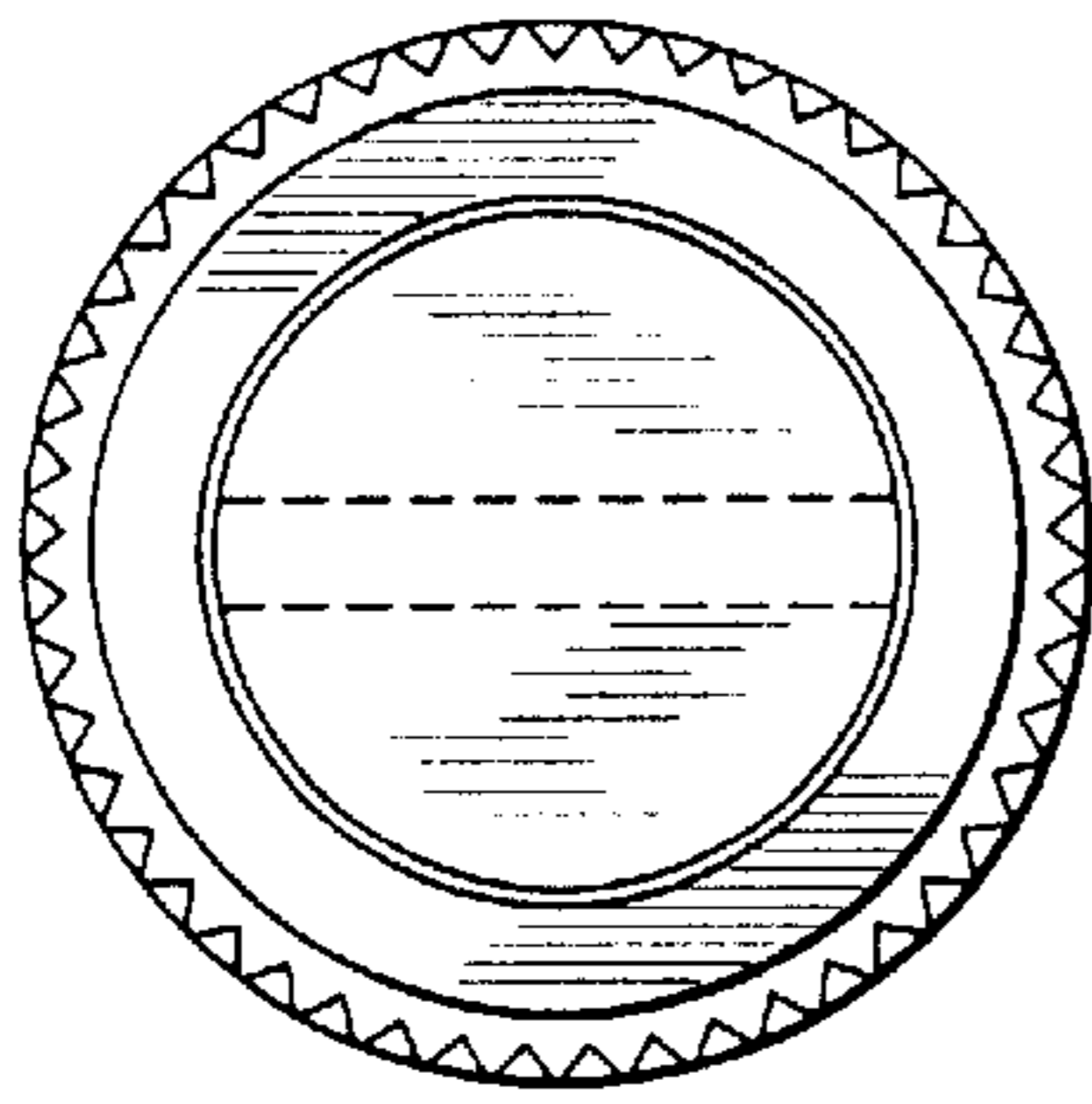


FIG. 5

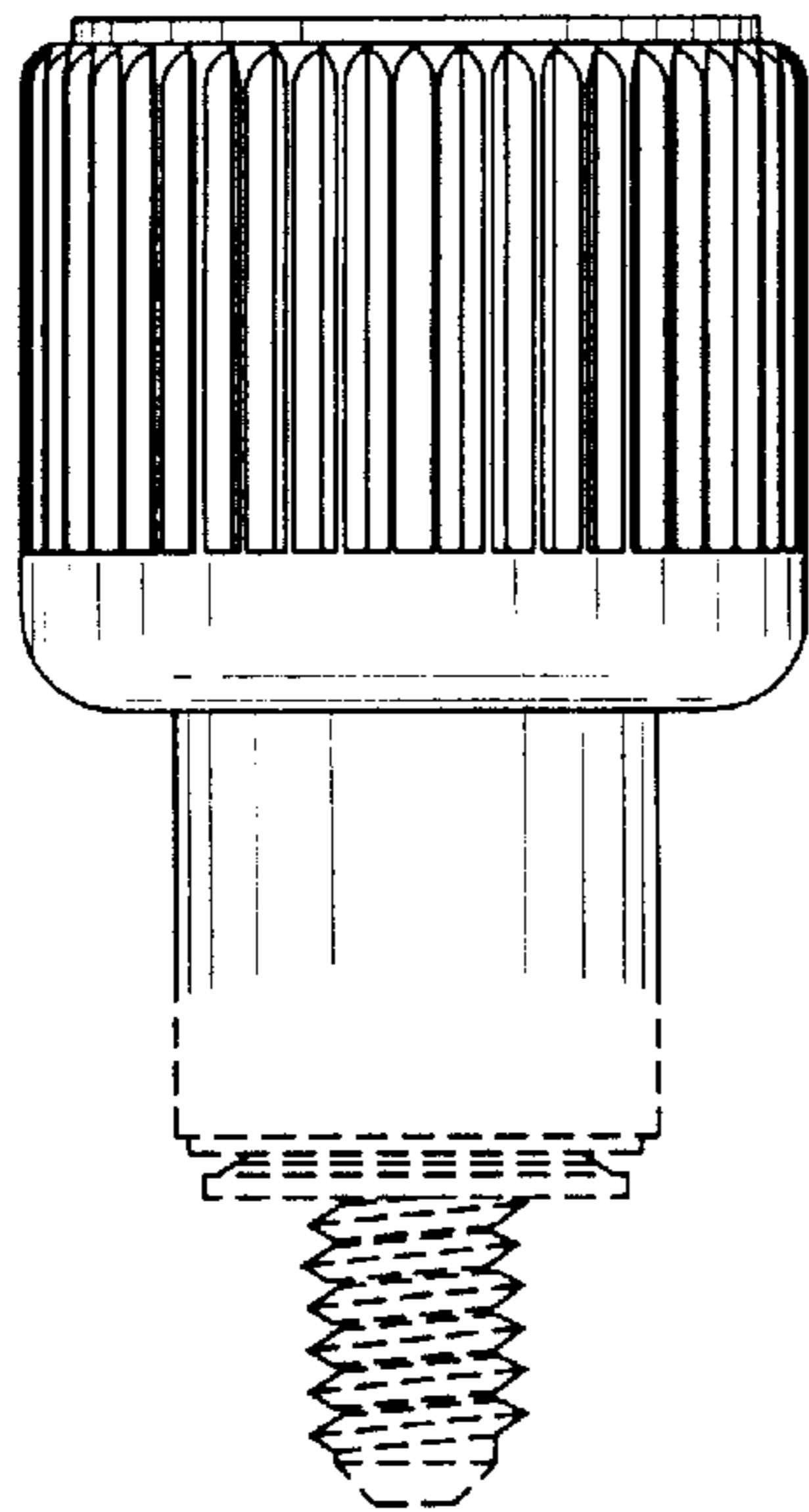


FIG. 6

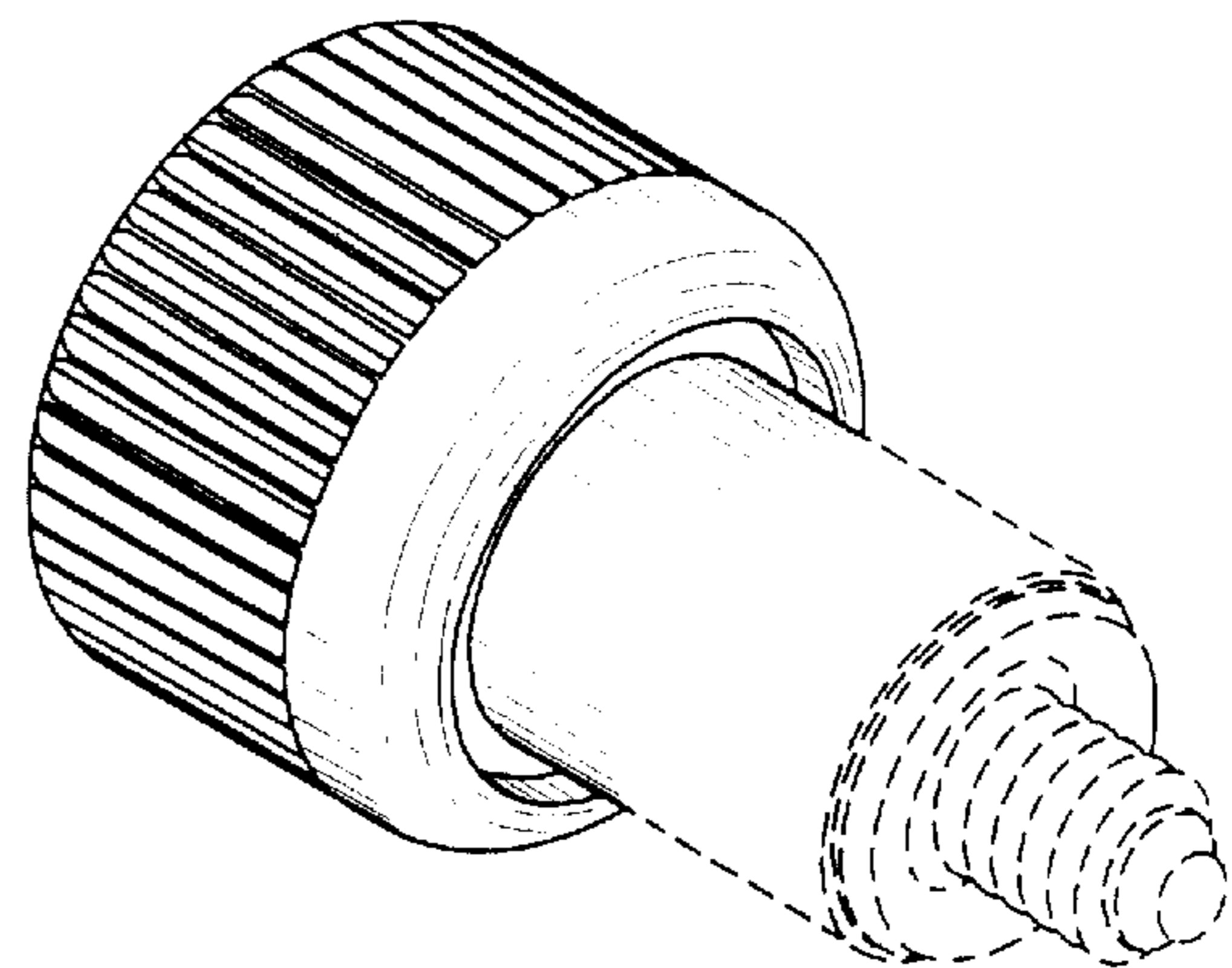


FIG. 7

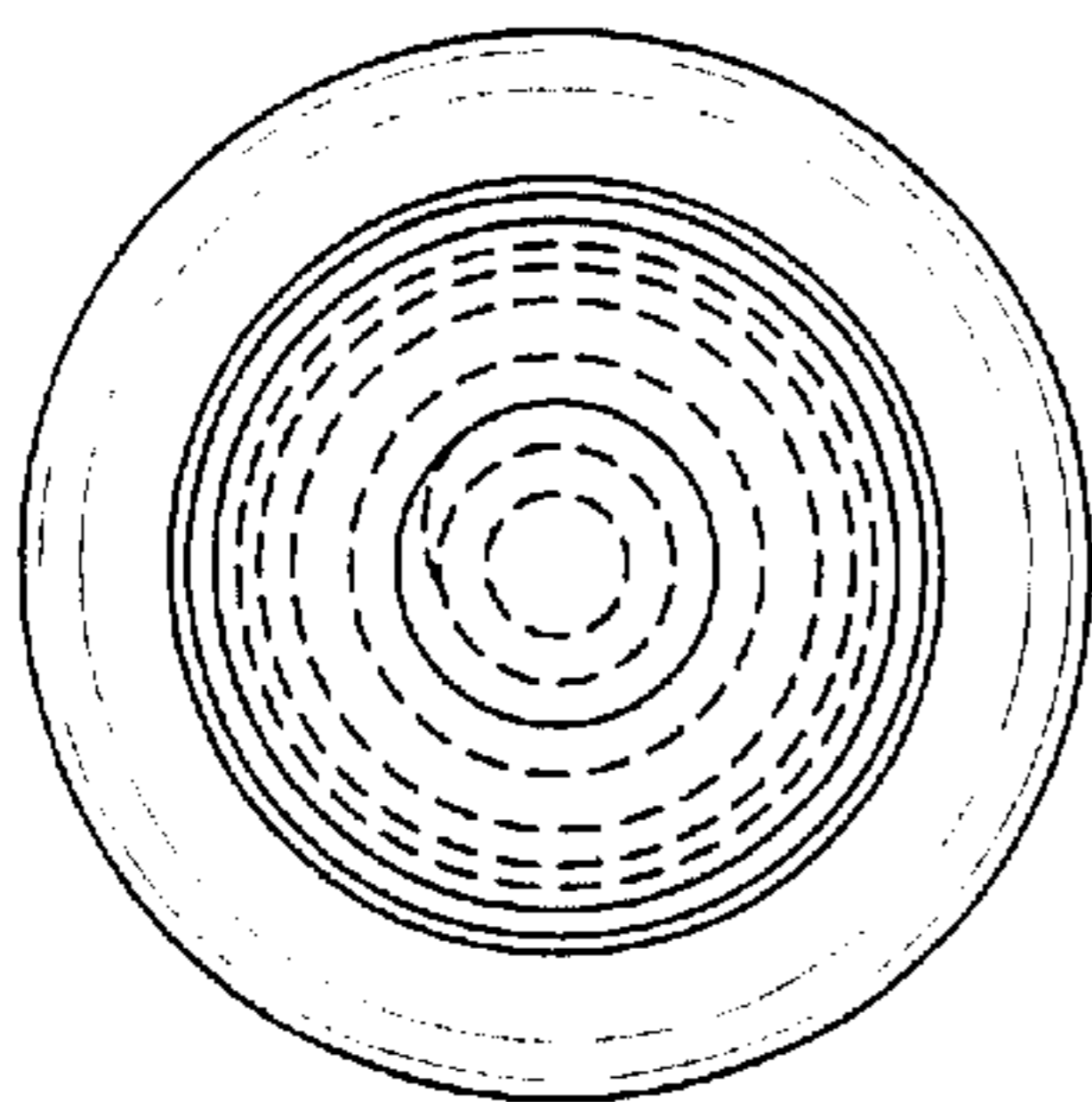


FIG. 8