



US00D469004S

(12) **United States Design Patent**  
**Winig et al.**

(10) **Patent No.:** **US D469,004 S**

(45) **Date of Patent:** **\*\* Jan. 21, 2003**

(54) **SHELF BRACKET**

(75) Inventors: **Alan Winig**, Wynnewood, PA (US);  
**Richard Winig**, Villanova, PA (US);  
**James Eldon**, Barto, PA (US)

(73) Assignee: **Eye Designs LLC**, Collegeville, PA (US)

(\*\*) Term: **14 Years**

(21) Appl. No.: **29/154,266**

(22) Filed: **Jan. 16, 2002**

(51) **LOC (7) Cl.** ..... **08-05**

(52) **U.S. Cl.** ..... **D8/381**

(58) **Field of Search** ..... D8/381, 380; D6/509;  
211/90.1, 134, 135, 153, 204; 248/235,  
231.8, 237, 245, 247, 241-243, 249, 250

(56) **References Cited**

**U.S. PATENT DOCUMENTS**

4,340,144 A	7/1982	Cousins	211/87
4,450,961 A	5/1984	Bies et al.	206/349
4,516,681 A	5/1985	Jahel	211/59.1
4,659,044 A *	4/1987	Armstrong	114/343
4,936,565 A	6/1990	Fredrickson	211/59.1
D336,605 S *	6/1993	Lemmerman et al.	D6/572
5,337,987 A	8/1994	Sawatsky	248/231.8
5,482,168 A	1/1996	Welch et al.	211/106
D389,729 S *	1/1998	Boeshart	D8/380
D400,781 S *	11/1998	Wilkening et al.	D8/381

5,970,663 A	10/1999	McDonough	52/36.4
6,019,331 A *	2/2000	Hoogland et al.	108/108
6,050,426 A	4/2000	Leurdijk	211/94.01
6,070,747 A	6/2000	Shea	211/87.01
6,250,466 B1	6/2001	Ernst	206/378
6,257,425 B1 *	7/2001	Liu	211/105.1
6,273,255 B1	8/2001	Rösler	206/378
6,273,277 B1	8/2001	Geldenhuis	211/70
6,299,001 B1	10/2001	Frolov et al.	211/106

\* cited by examiner

*Primary Examiner*—Pamela Burgess

(74) *Attorney, Agent, or Firm*—Duane Morris LLP

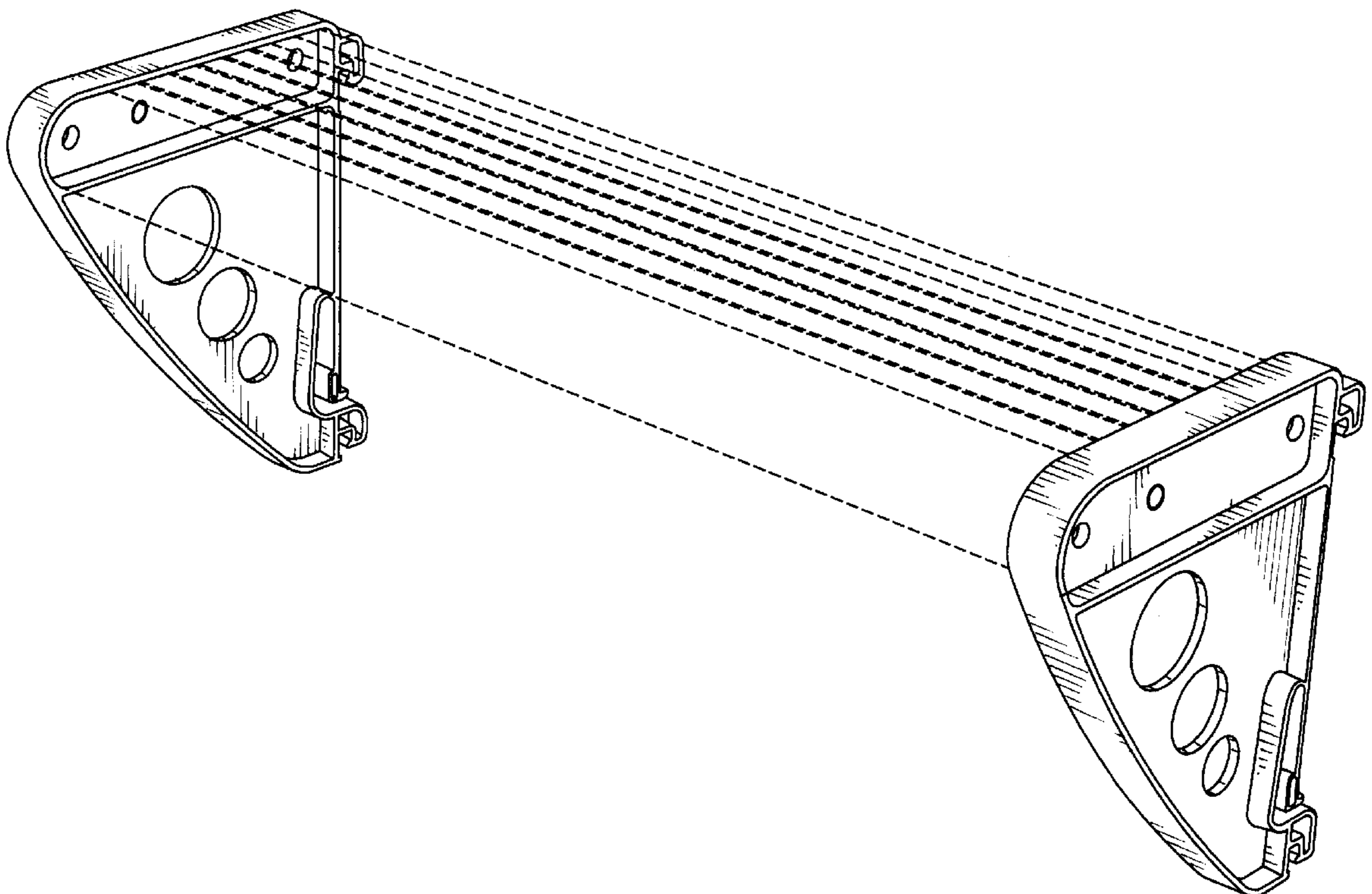
(57) **CLAIM**

The ornamental design for a shelf bracket, as shown and described.

**DESCRIPTION**

FIG. 1 is a front perspective view of a shelf bracket showing our new design in use, for clarity of disclosure; FIG. 2 is a front perspective view of a shelf bracket; FIG. 3 is a right side view of the shelf bracket; FIG. 4 is a left side view of the shelf bracket; FIG. 5 is a top view of the shelf bracket; FIG. 6 is a bottom view of the shelf bracket; FIG. 7 is a front view of the shelf bracket; and, FIG. 8 is a rear view of the shelf bracket. The broken line showing of structure is for illustrative purposes only and forms no part of the claimed design.

**1 Claim, 4 Drawing Sheets**



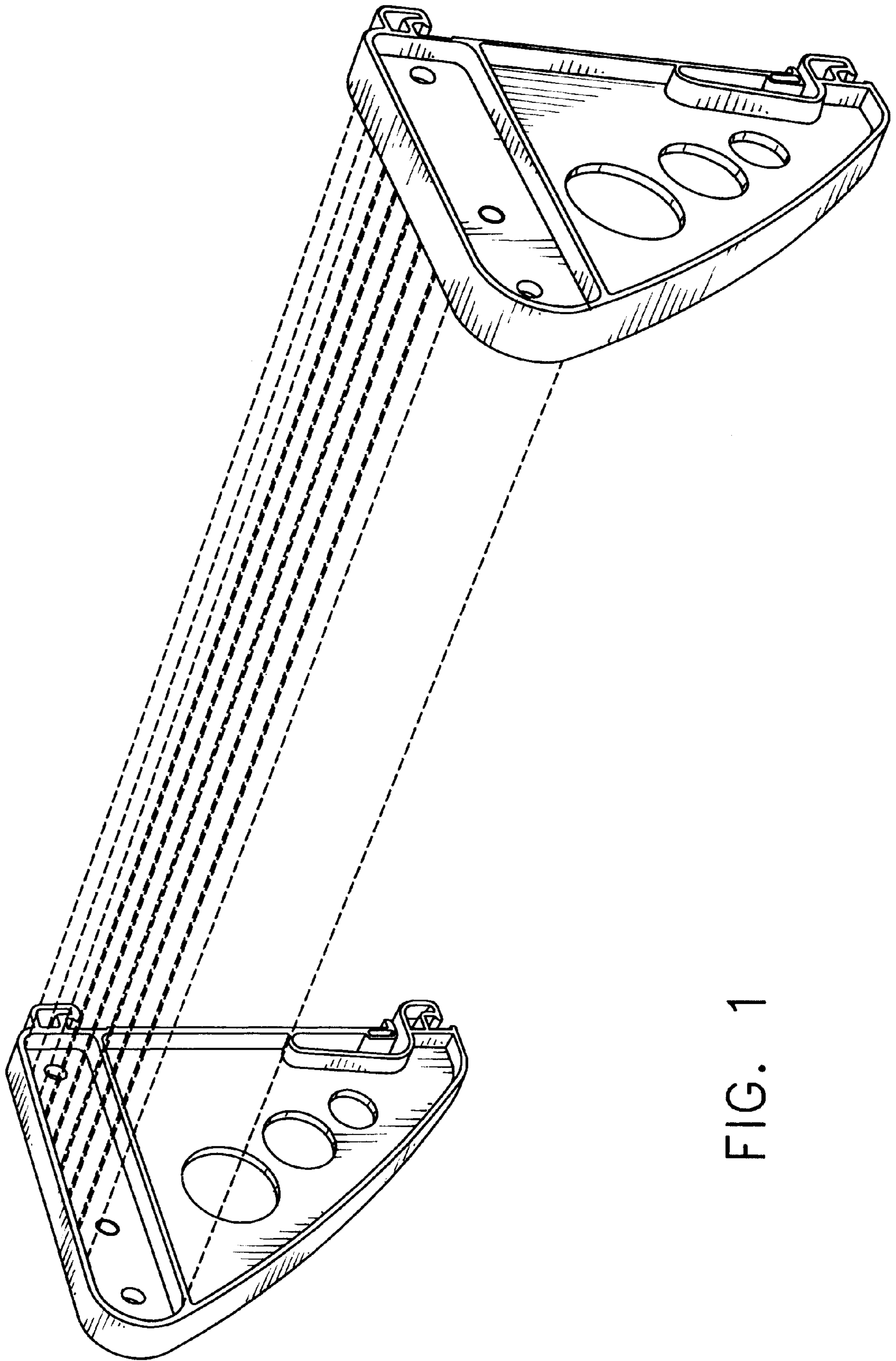


FIG. 1

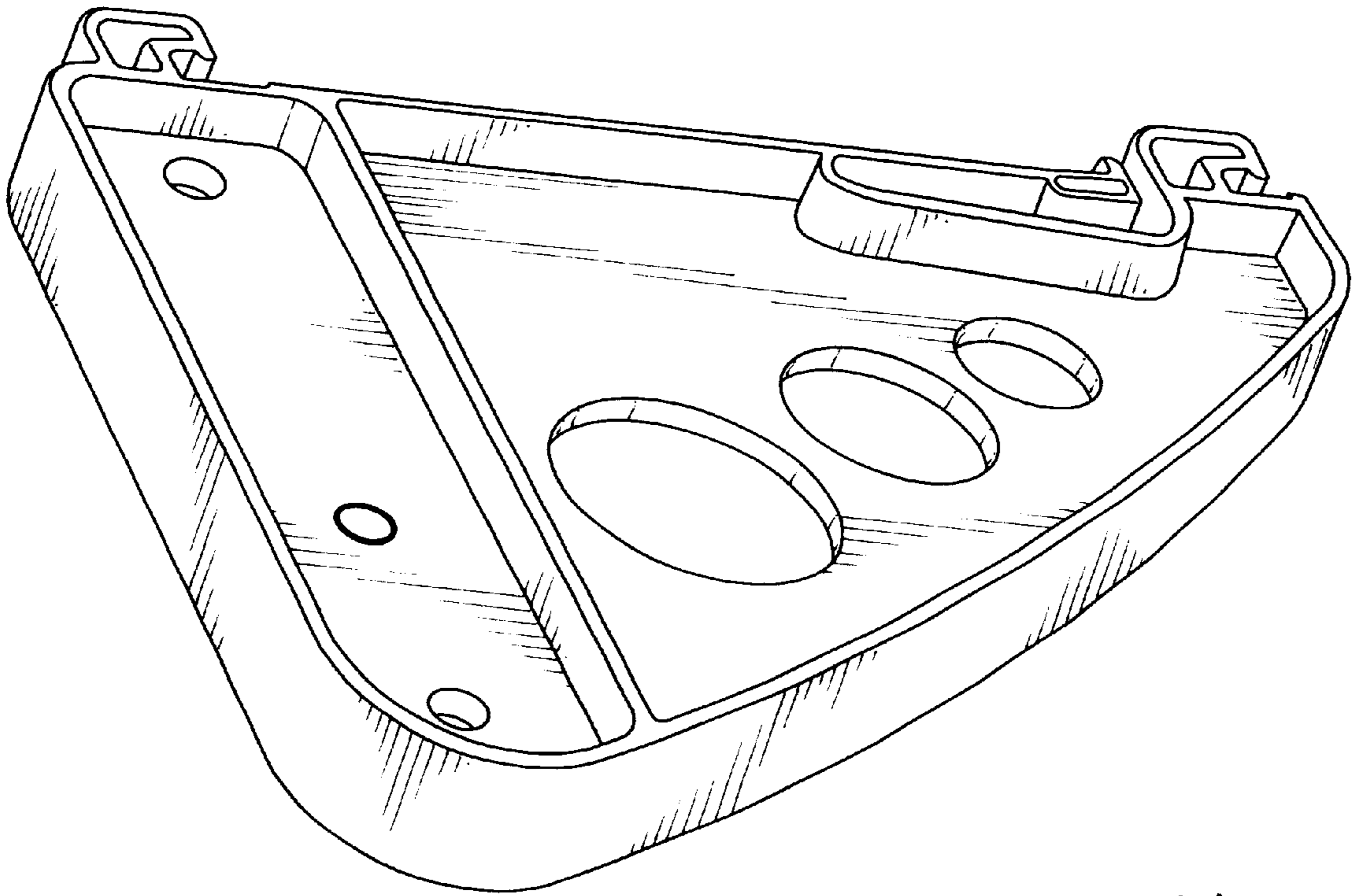


FIG. 2

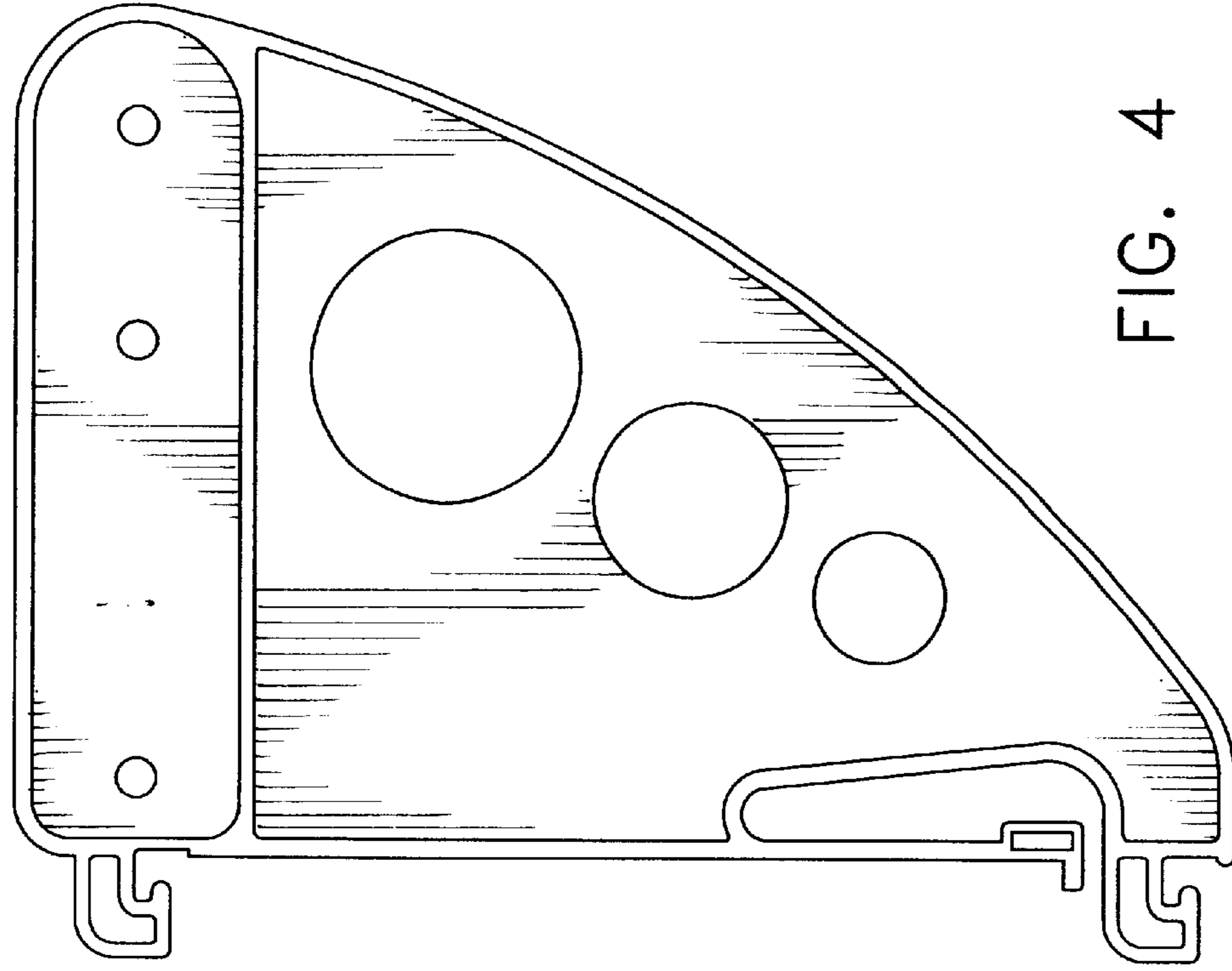


FIG. 4

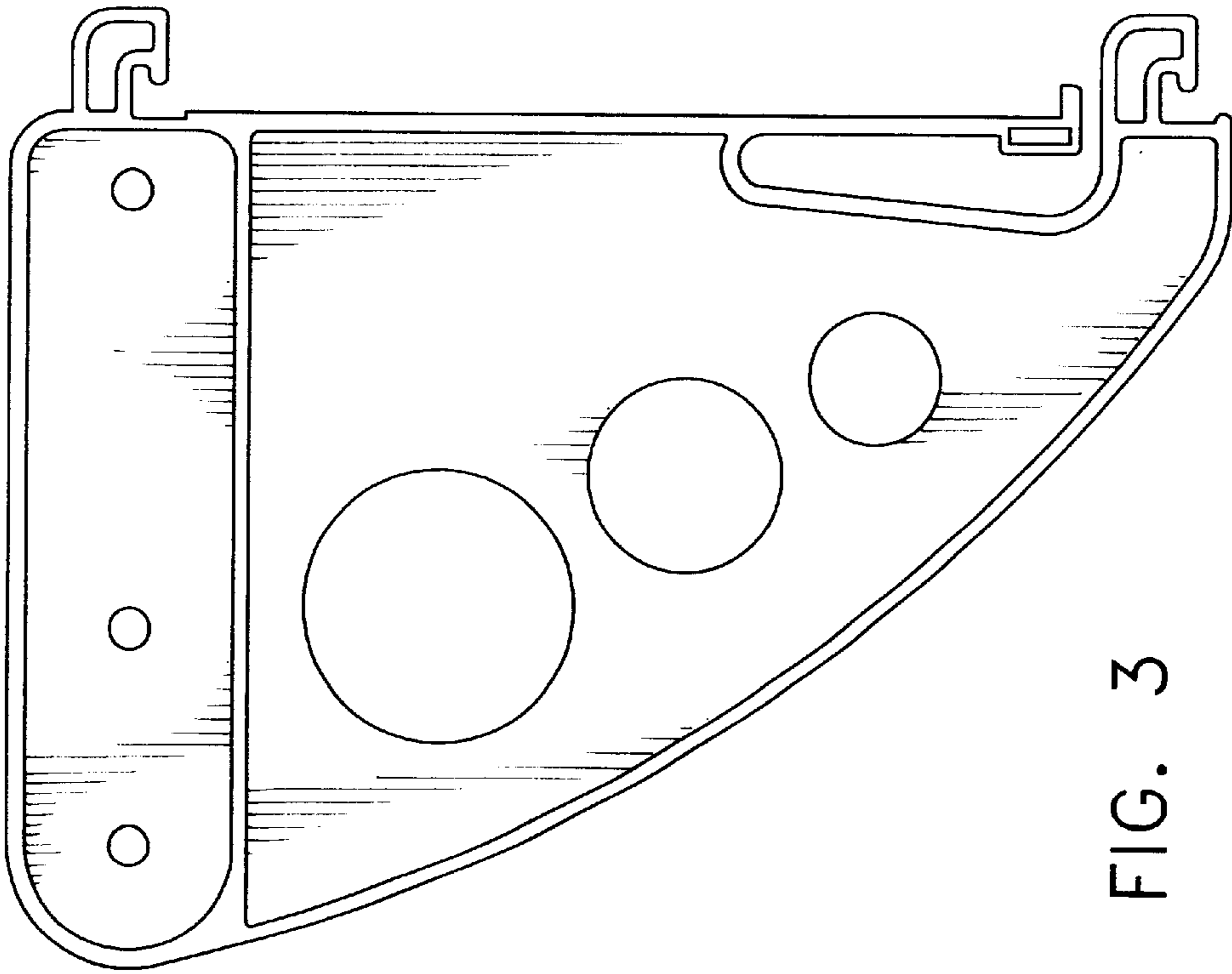


FIG. 3



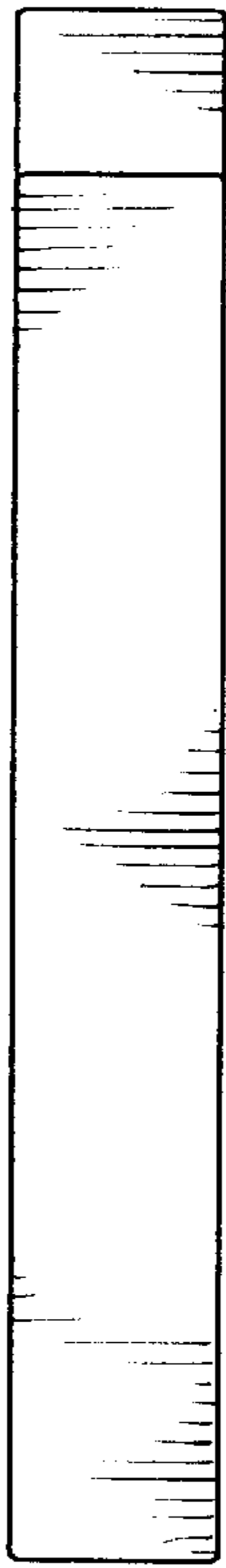


FIG. 5

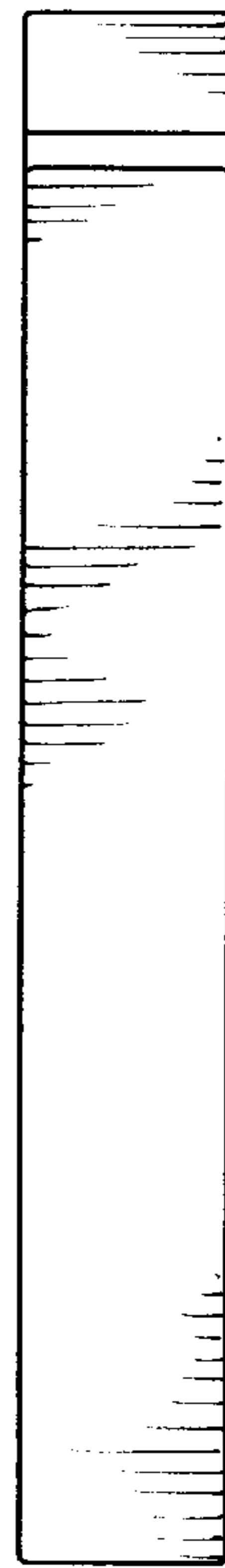


FIG. 6

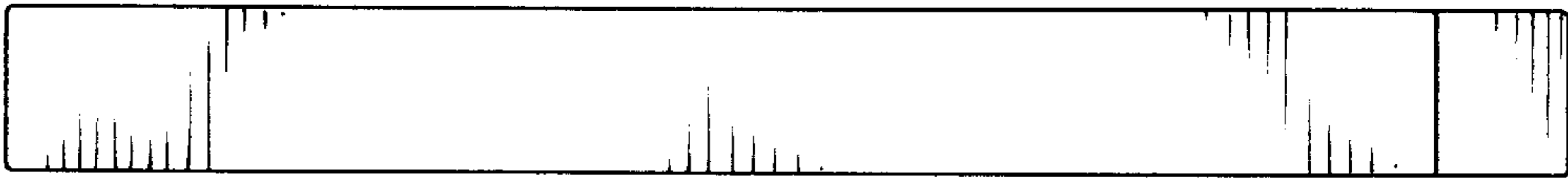


FIG. 7

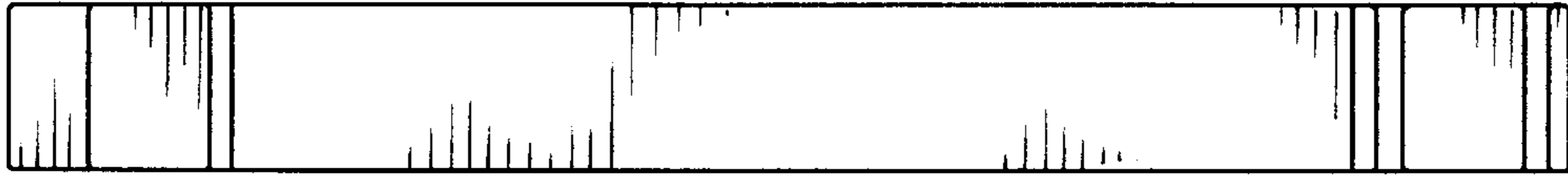


FIG. 8