



US00D469003S

(12) **United States Design Patent**
Valiulis

(10) **Patent No.:** **US D469,003 S**

(45) **Date of Patent:** **** Jan. 21, 2003**

(54) **HEAVY-DUTY MOUNTING BACK**

(75) Inventor: **Stanley C. Valiulis**, Rockford, IL (US)

(73) Assignee: **Southern Imperial, Inc.**, Rockford, IL (US)

(**) Term: **14 Years**

(21) Appl. No.: **29/163,785**

(22) Filed: **Jul. 12, 2002**

(51) **LOC (7) Cl.** **08-05**

(52) **U.S. Cl.** **D8/380; D8/371**

(58) **Field of Search** D8/373, 349, 371, D8/367, 354; 248/214, 220.42, 317, 467, 303-304, 220.41, 220.43, 220.31, 220.22, 222.11, 228.4, 216.4, 216.1, 218.1, 215, 205.3; 40/606; 211/65, 66, 69, 60.1, 59.1, 57.1, 175, 96, 102, 113

(56) **References Cited**

U.S. PATENT DOCUMENTS

3,193,231 A	7/1965	Curry	
3,216,584 A	11/1965	Sedo	
3,216,680 A	* 11/1965	Musante	248/304
3,591,117 A	7/1971	Mazzetti	
3,601,432 A	8/1971	Fenwick	
3,640,497 A	2/1972	Waki	
3,908,949 A	9/1975	Larson	
4,303,217 A	12/1981	Garfinkle	
4,304,382 A	12/1981	Jelen	
4,387,872 A	6/1983	Hogue	
D270,879 S	* 10/1983	Jacobson	D6/553
4,441,619 A	4/1984	Gibitz	
4,452,360 A	6/1984	Barnes	
4,619,428 A	10/1986	Bailey	
D310,623 S	* 9/1990	Aranibar	248/250
D315,093 S	* 3/1991	Hanna	D8/349

5,009,381 A	*	4/1991	Hermanson	248/220.42
5,407,160 A		4/1995	Hollingsworth et al.	
5,531,415 A		7/1996	Kallemeyn	
5,607,132 A		3/1997	Baldwin	
5,871,187 A	*	2/1999	Pihlaja et al.	248/220.42
6,266,250 B1		7/2001	Foye	

* cited by examiner

Primary Examiner—Pamela Burgess

(74) *Attorney, Agent, or Firm*—Leydig, Voit & Mayer, Ltd.

(57) **CLAIM**

I claim the ornamental design for the heavy-duty mounting back, as shown and described.

DESCRIPTION

FIG. 1 is a perspective view, taken from the front and right, of the heavy-duty mounting back of the present invention; FIG. 2 is another perspective view, taken from the rear and left, of the heavy-duty mounting back shown in FIG. 1; FIG. 3 is an enlarged top view of the heavy-duty mounting back shown in FIG. 1; FIG. 4 is an enlarged front view of the heavy-duty mounting back shown in FIG. 1; FIG. 5 is an enlarged bottom view of the heavy-duty mounting back shown in FIG. 1; FIG. 6 is an enlarged side view, taken from the left, of the mounting back shown in FIG. 1; FIG. 7 is an enlarged side view, taken from the right, of the mounting back shown in FIG. 1; FIG. 8 is an enlarged perspective view of the heavy-duty mounting back as shown in FIG. 1, depicting the environment of being mounted to a pegboard that has been drawn in dotted lines and forms no portion of the present invention; and, FIG. 9 is a cross-sectional view of the heavy-duty mounting back taken along the line 9—9 in FIG. 8.

1 Claim, 5 Drawing Sheets

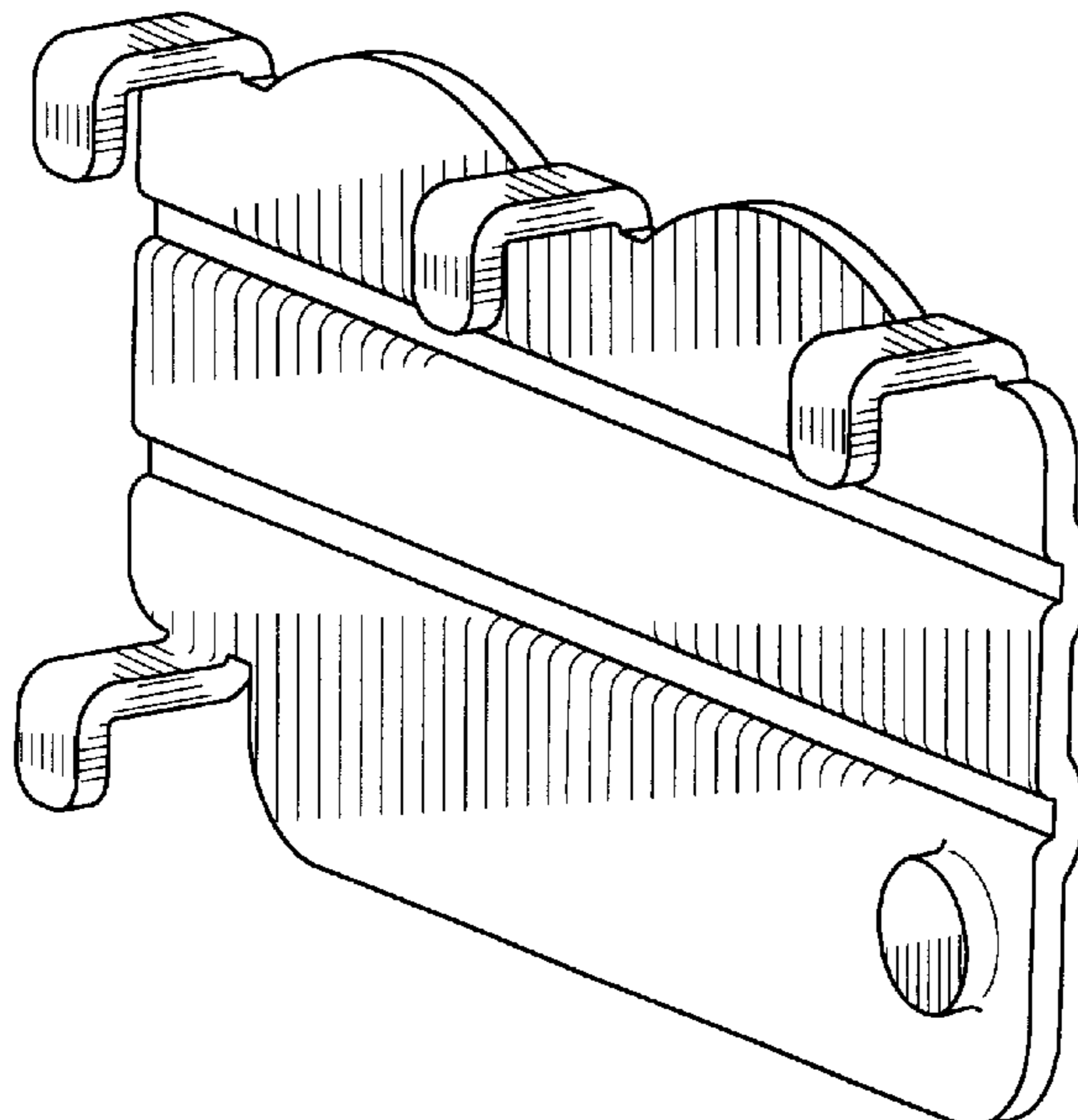


FIG. 1

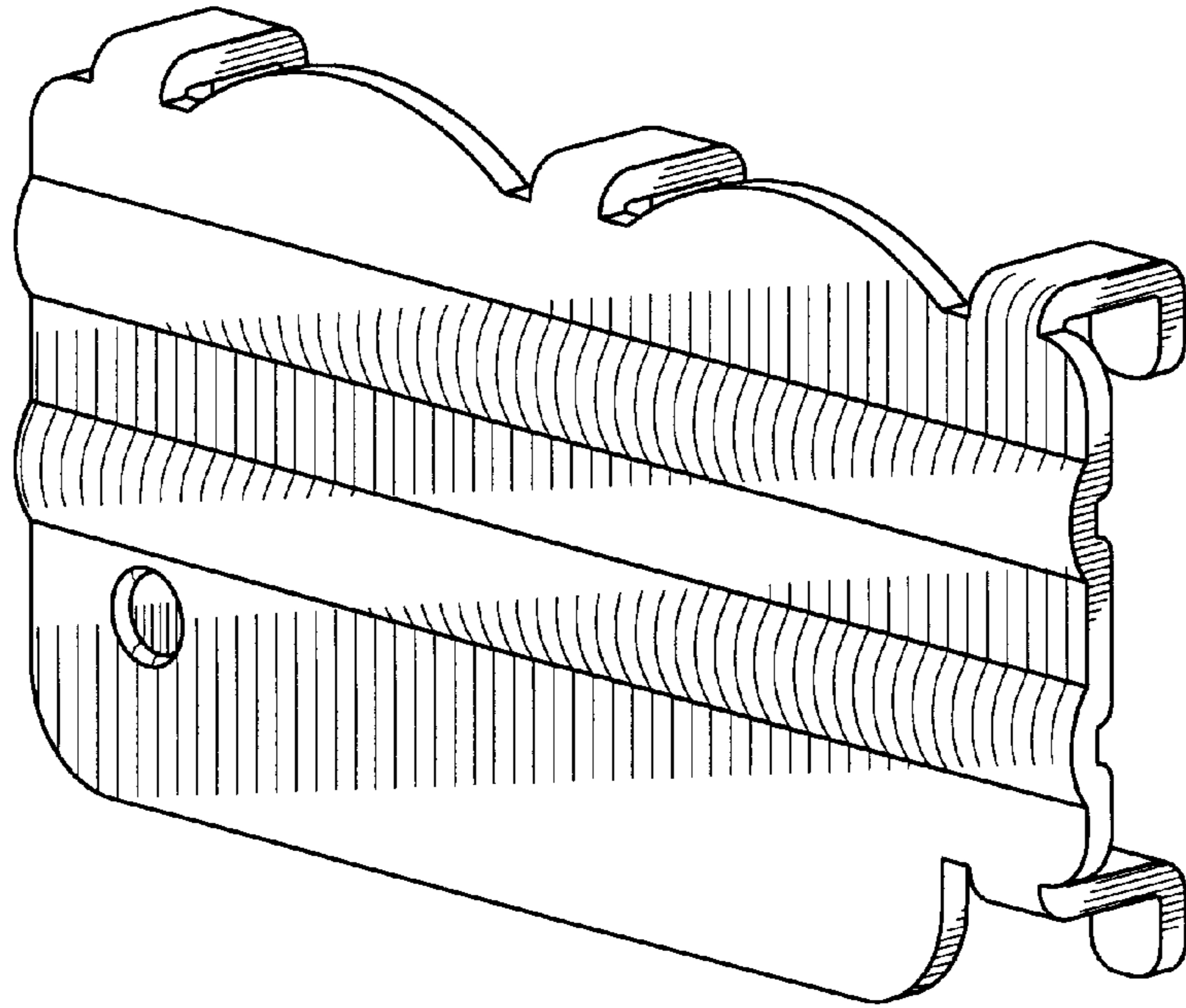


FIG. 2

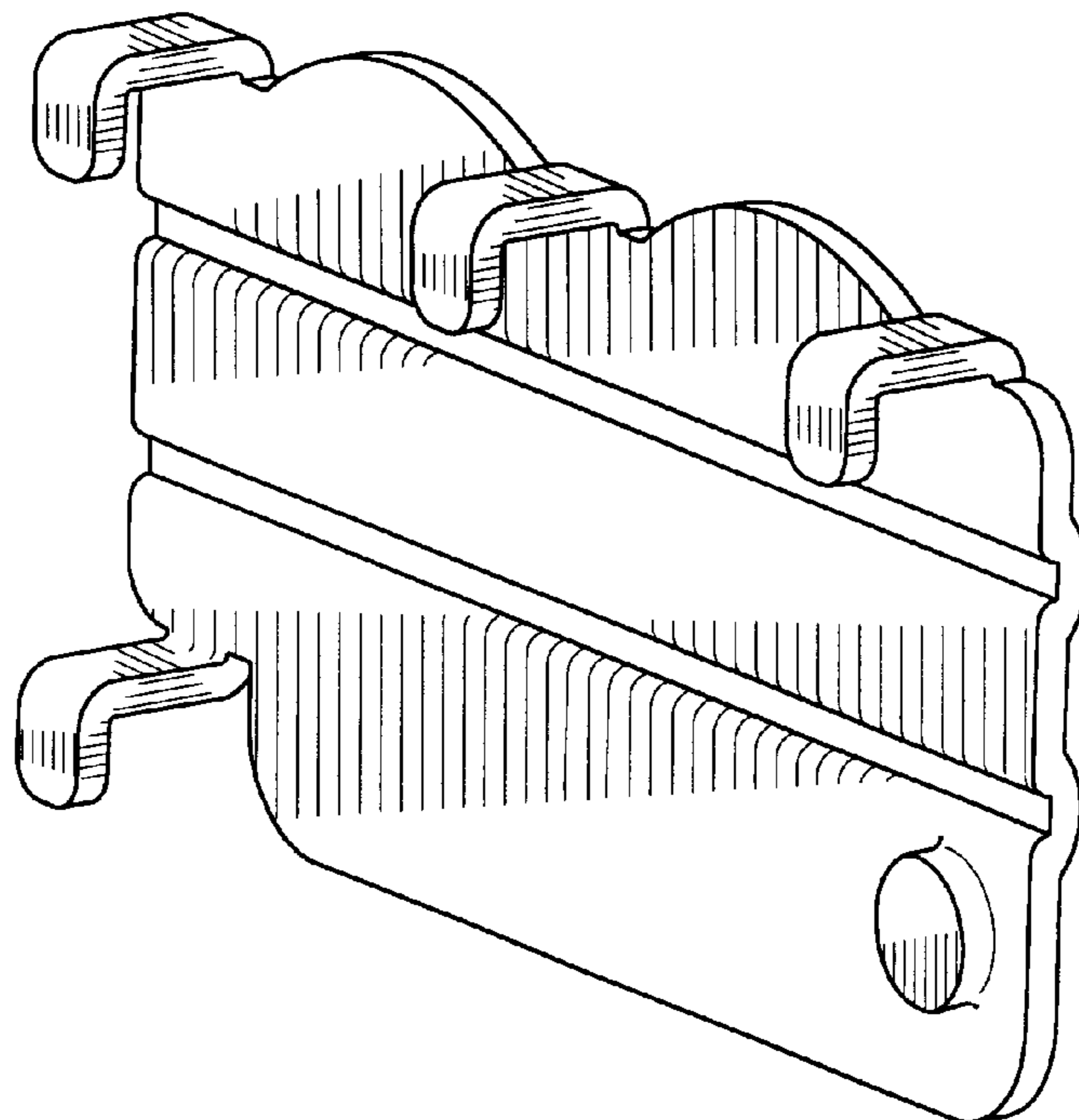


FIG. 3

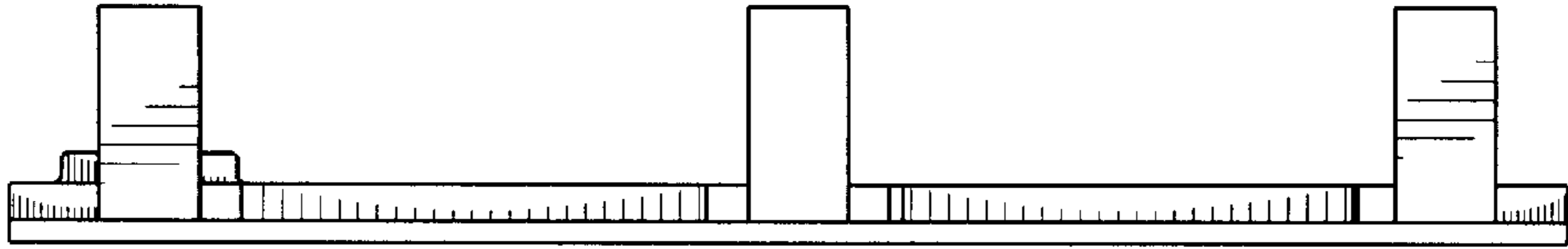


FIG. 4

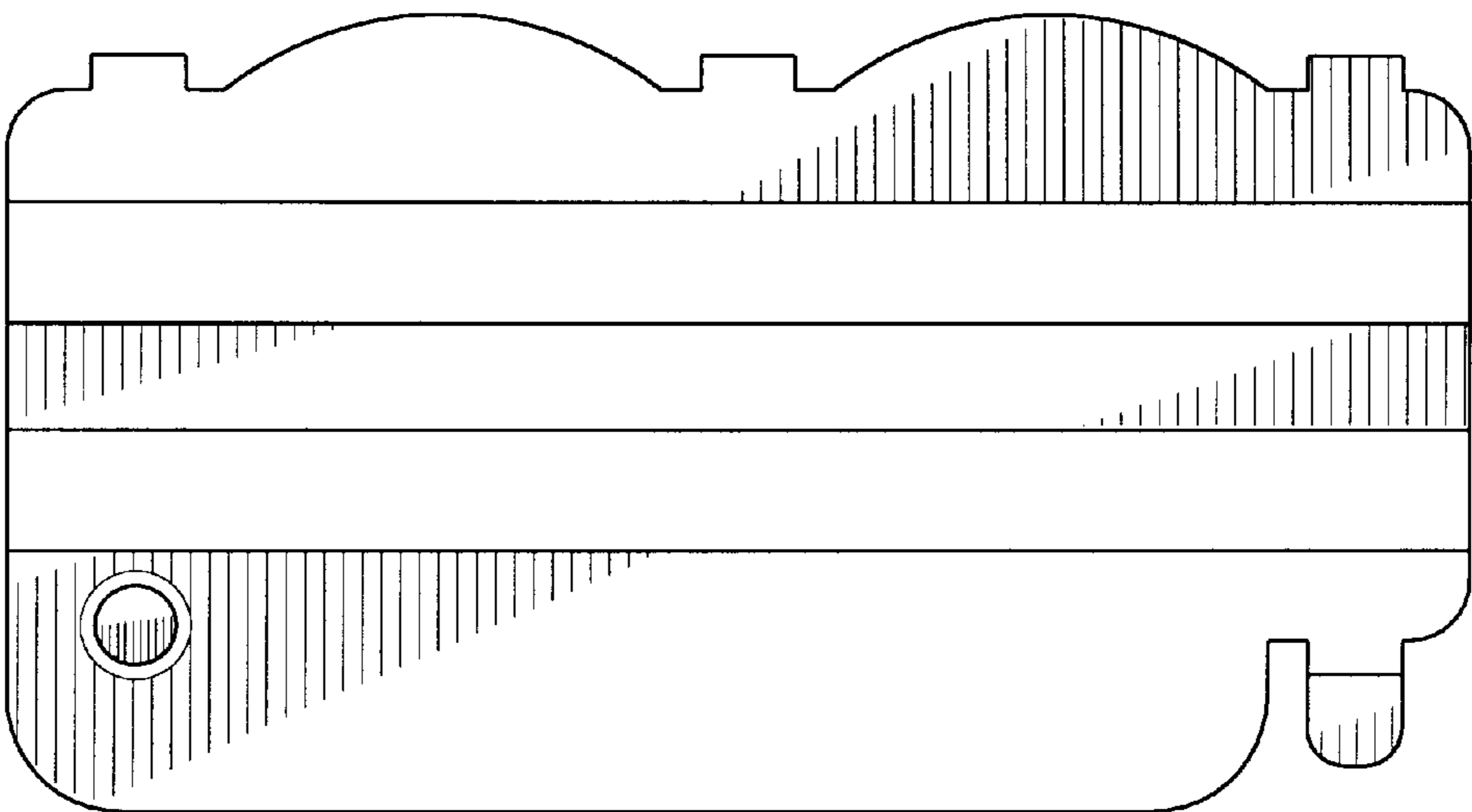


FIG. 5

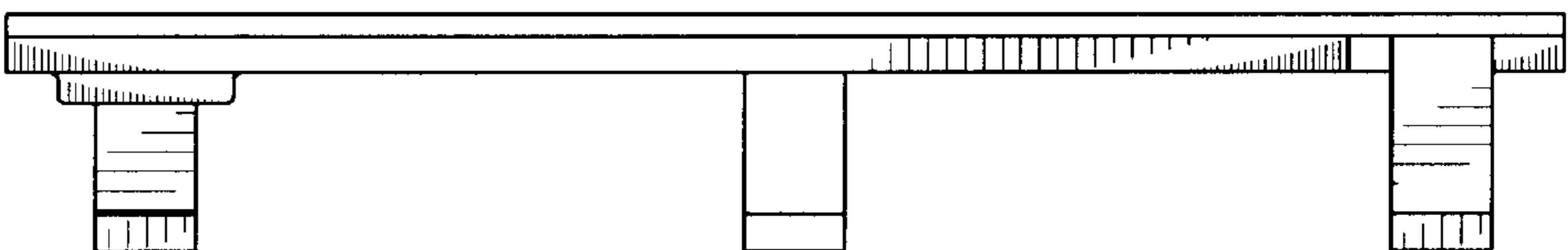


FIG. 6

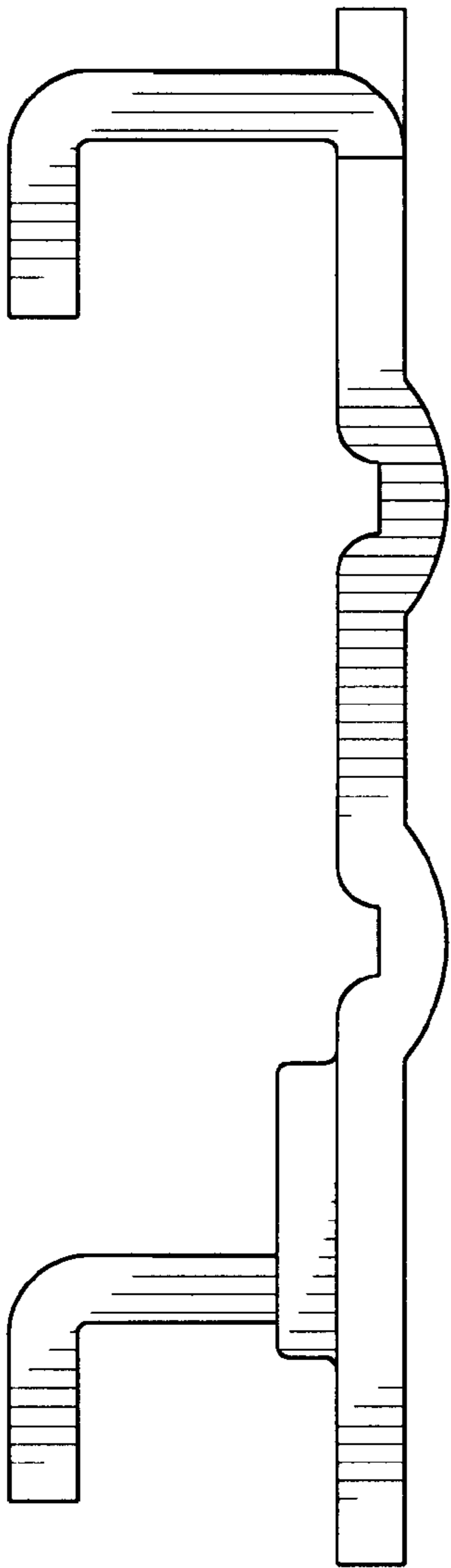
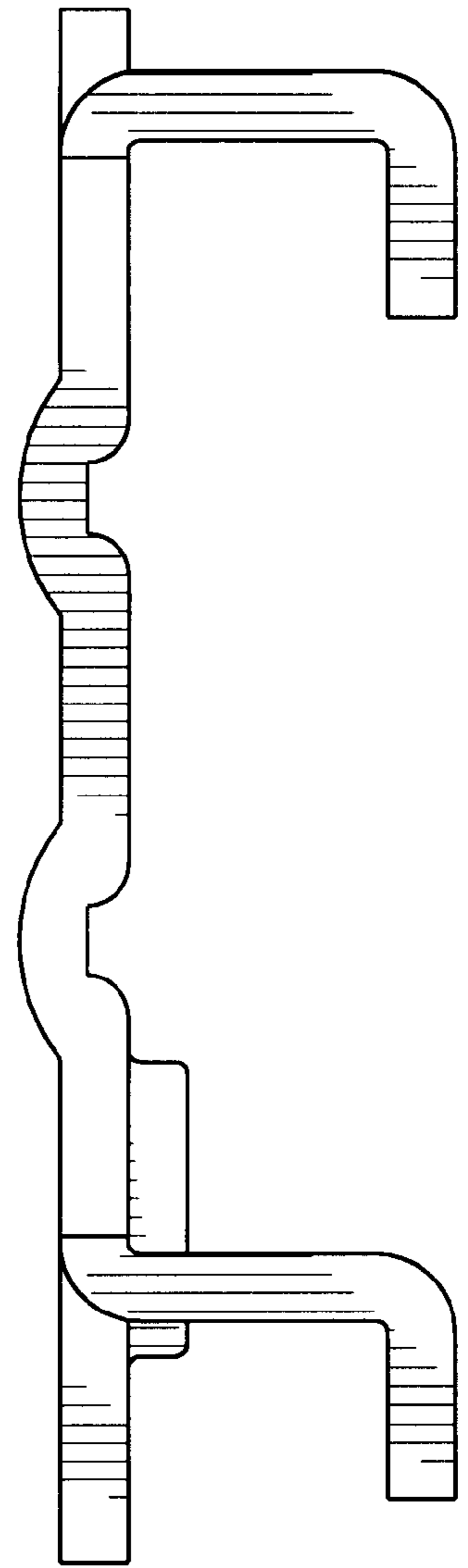


FIG. 7



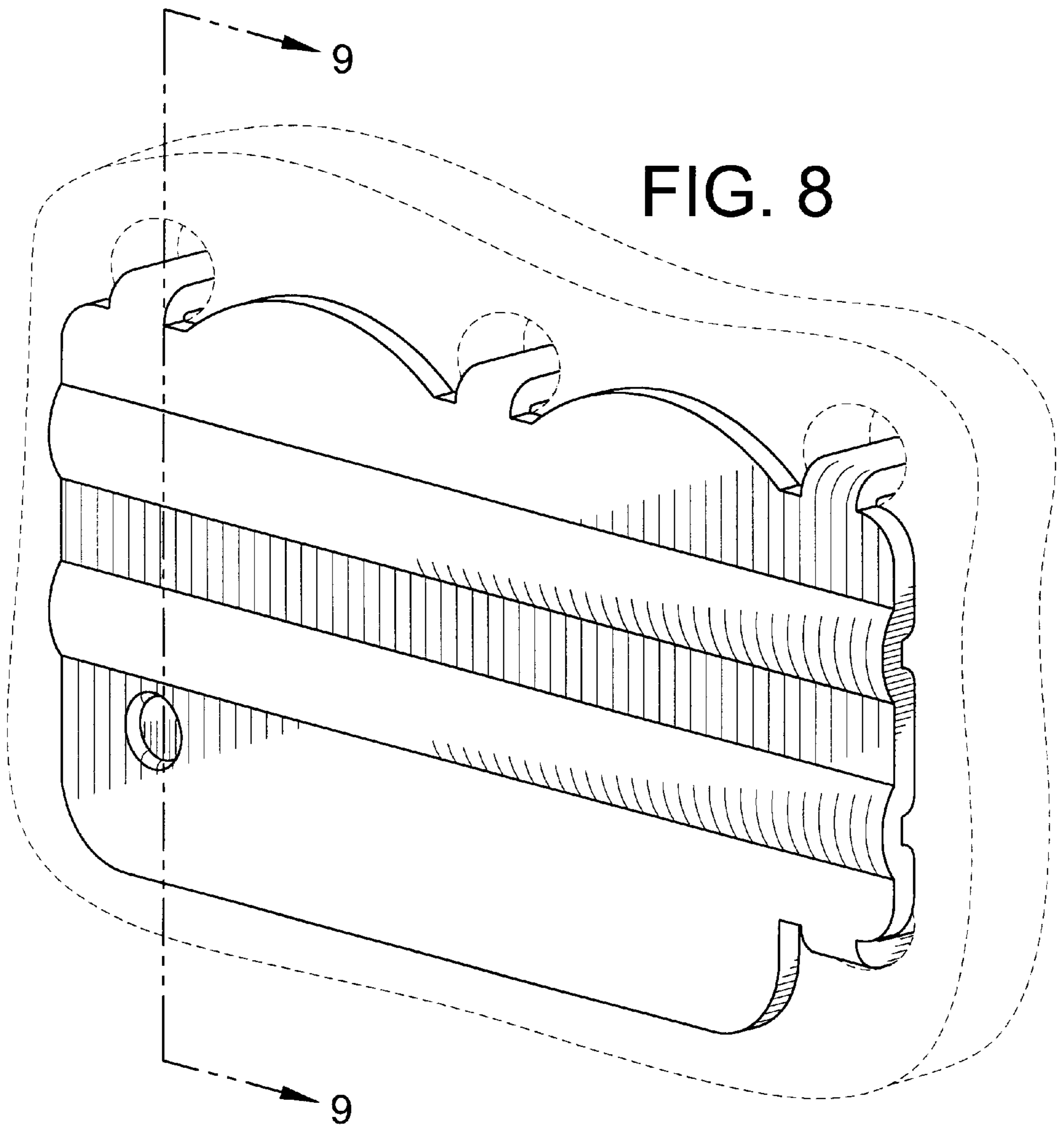


FIG. 9

