



US00D469002S

(12) **United States Design Patent**  
**McCord**

(10) **Patent No.:** **US D469,002 S**

(45) **Date of Patent:** **\*\* Jan. 21, 2003**

(54) **CASTER SUPPORT**

D451,788 S \* 12/2001 Grove ..... D8/375

(76) Inventor: **Robert C. McCord**, 80 Brush Hill Ave., Unit 49, West Springfield, MA (US) 01089

\* cited by examiner

*Primary Examiner*—Pamela Burgess  
(74) *Attorney, Agent, or Firm*—William B. Ritchie

(\*\*) Term: **14 Years**

(57) **CLAIM**

(21) Appl. No.: **29/161,208**

The ornamental design for caster support, as shown and described.

(22) Filed: **May 24, 2002**

**DESCRIPTION**

(51) **LOC (7) Cl.** ..... **08-05**

(52) **U.S. Cl.** ..... **D8/375; D8/374**

(58) **Field of Search** ..... D8/375, 374; D12/133; 16/45-47, 29, 31 R, 18 CG, 18 A, 18 R; 301/5.23; 280/87.041, 87.051, 87.05

FIG. 1 is a bottom perspective view of a caster support showing my new design;

FIG. 2 is a left side view of the invention.

FIG. 3 is a back view of the invention

FIG. 4 is a front view of the invention

FIG. 5 is a top view of the invention; and,

FIG. 6 is a bottom view of the invention.

The broken lines shown in FIGS. 1-4 are for illustrative purposes only and form no part of the claimed design.

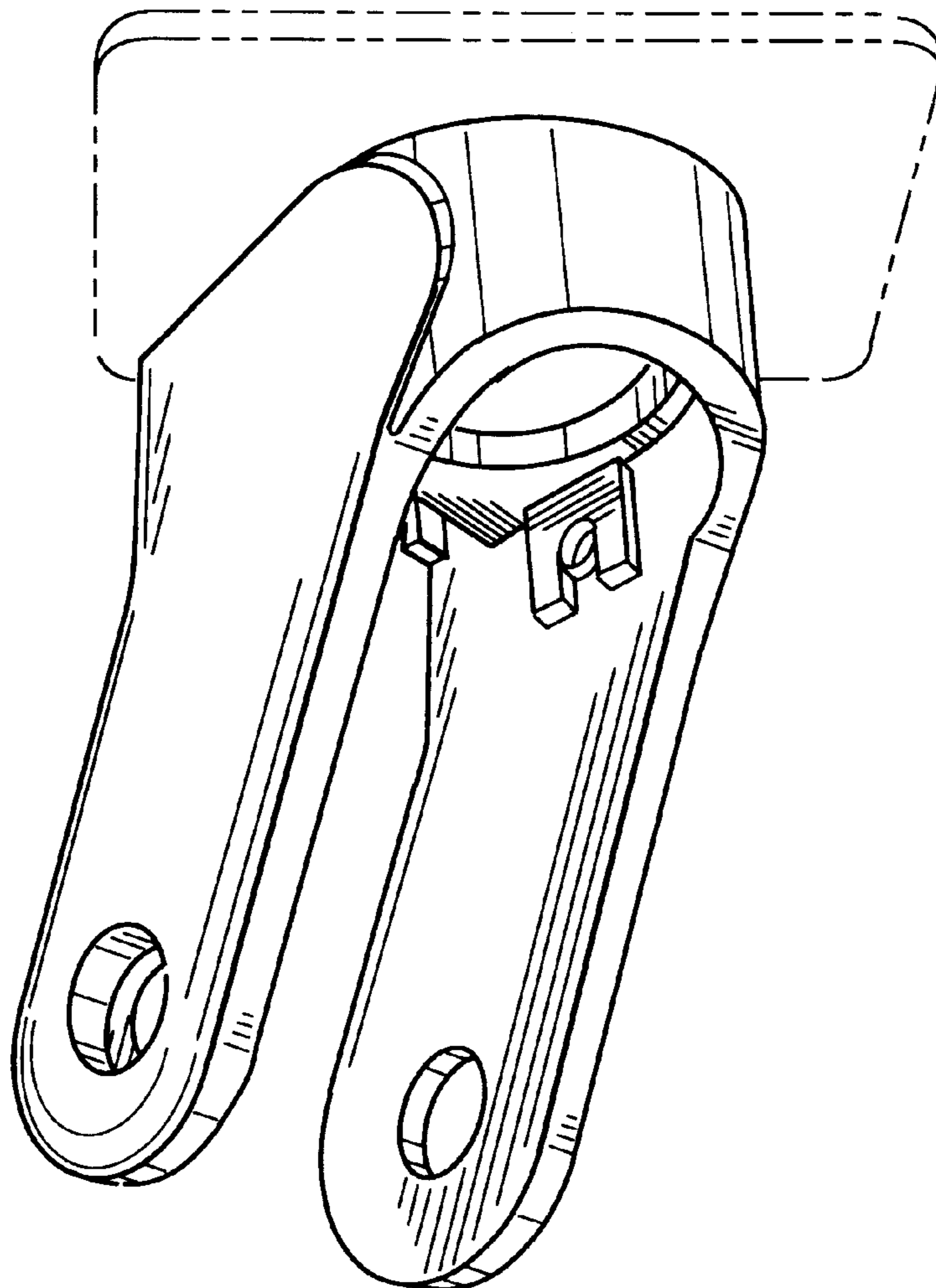
(56) **References Cited**

**U.S. PATENT DOCUMENTS**

D274,788 S \* 7/1984 Simonsen ..... 16/18 CG

D282,905 S \* 3/1986 Black ..... D8/375

**1 Claim, 3 Drawing Sheets**



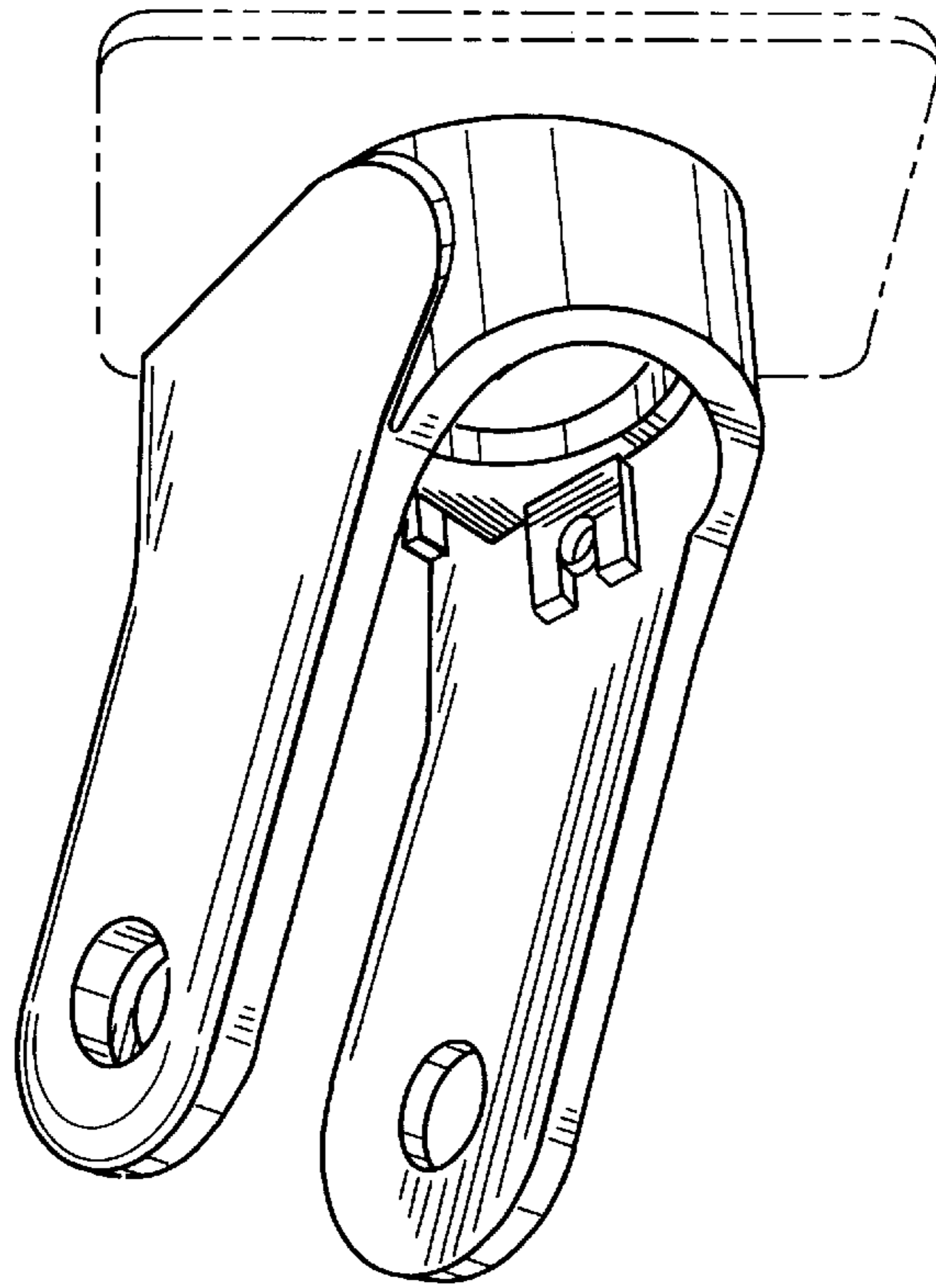


FIG. 1

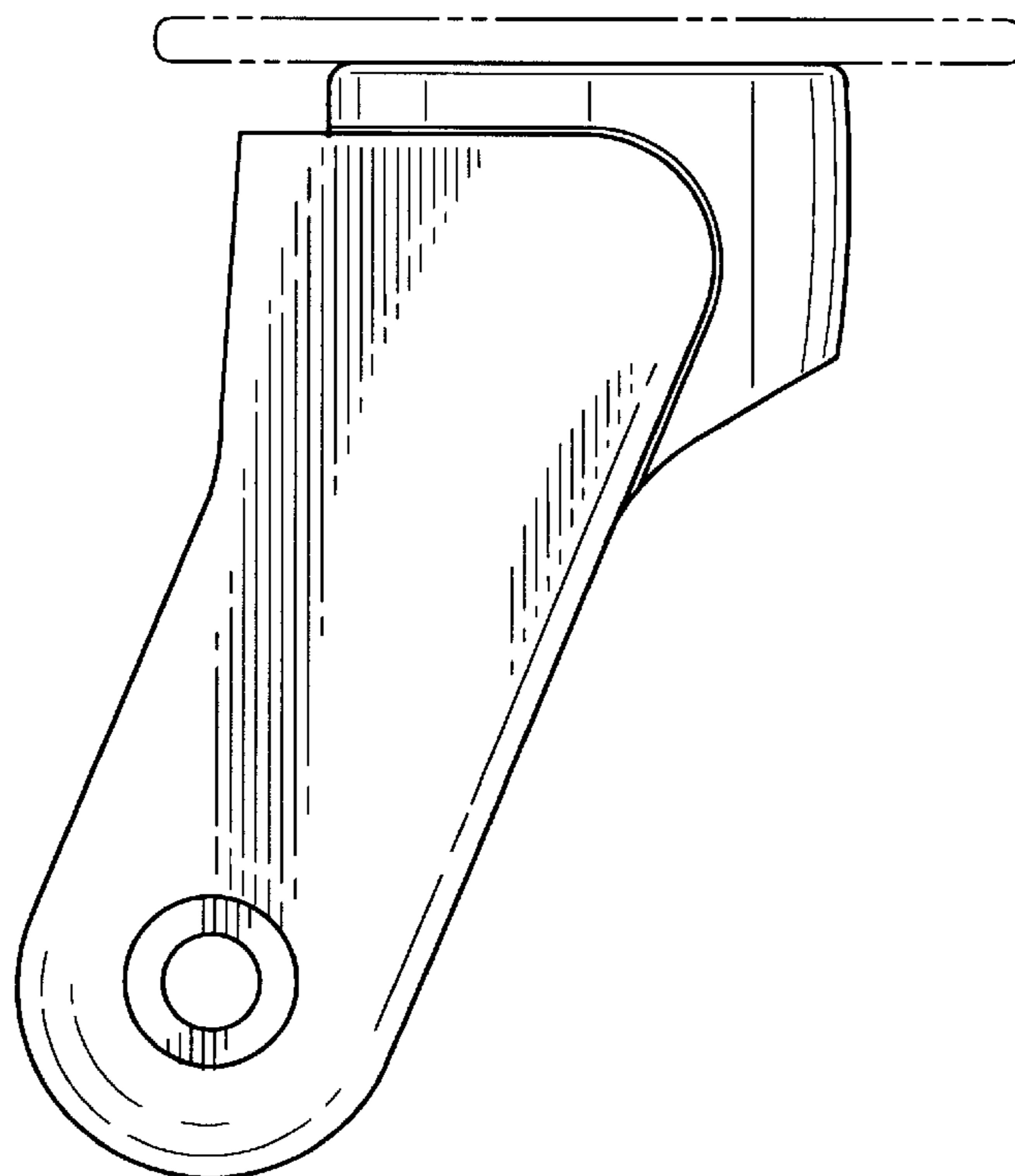


FIG. 2

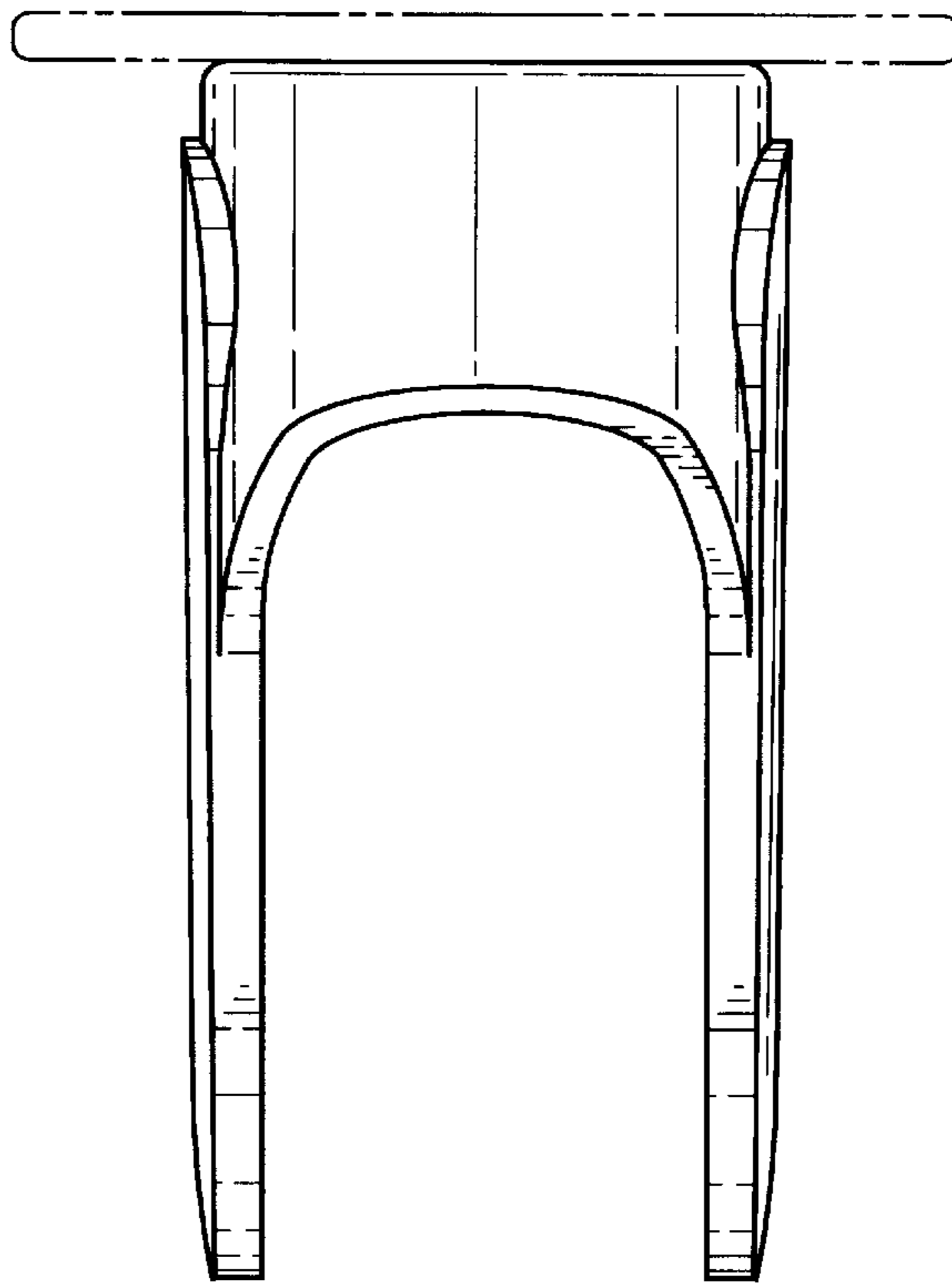


FIG. 3

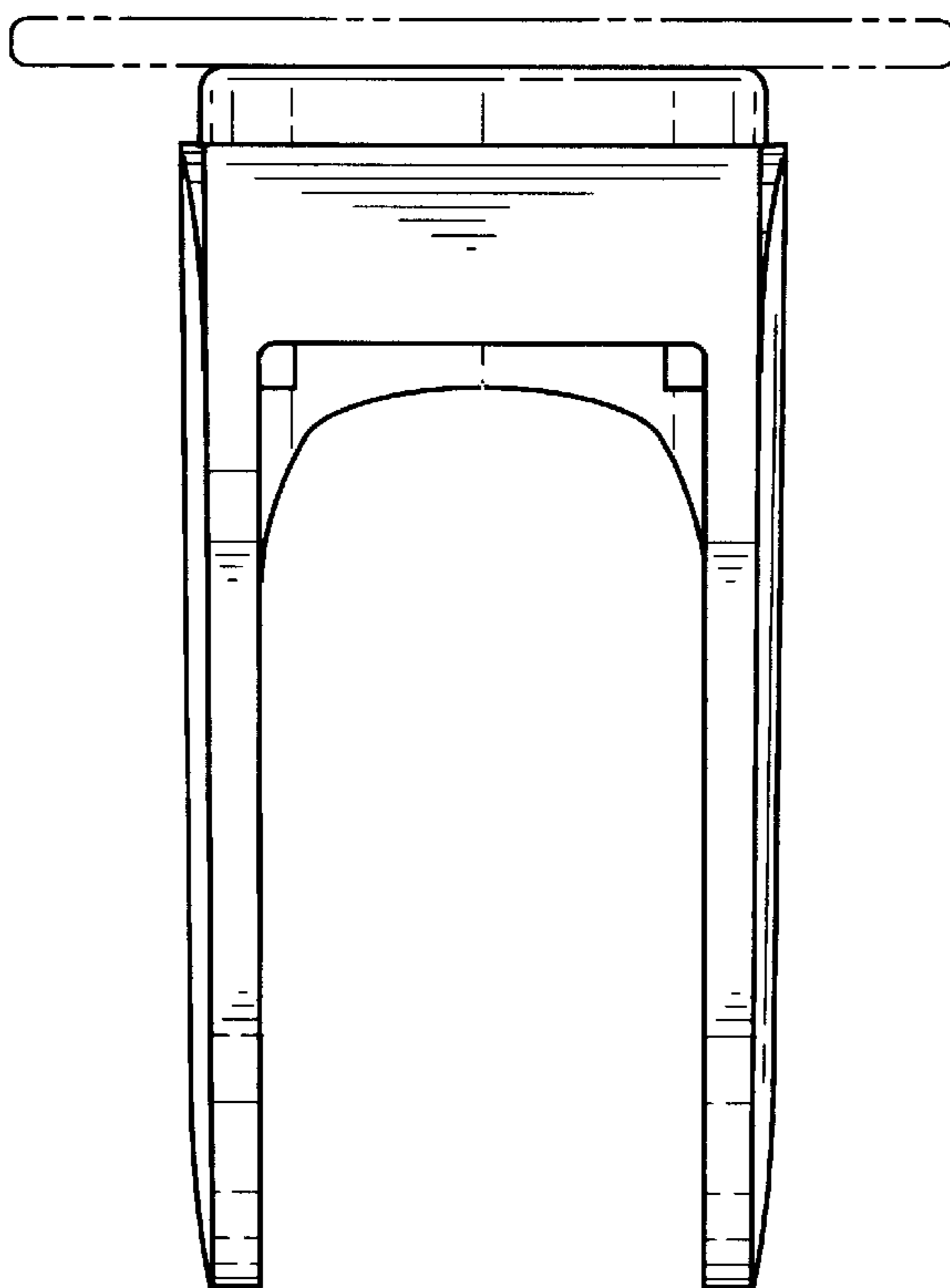


FIG. 4

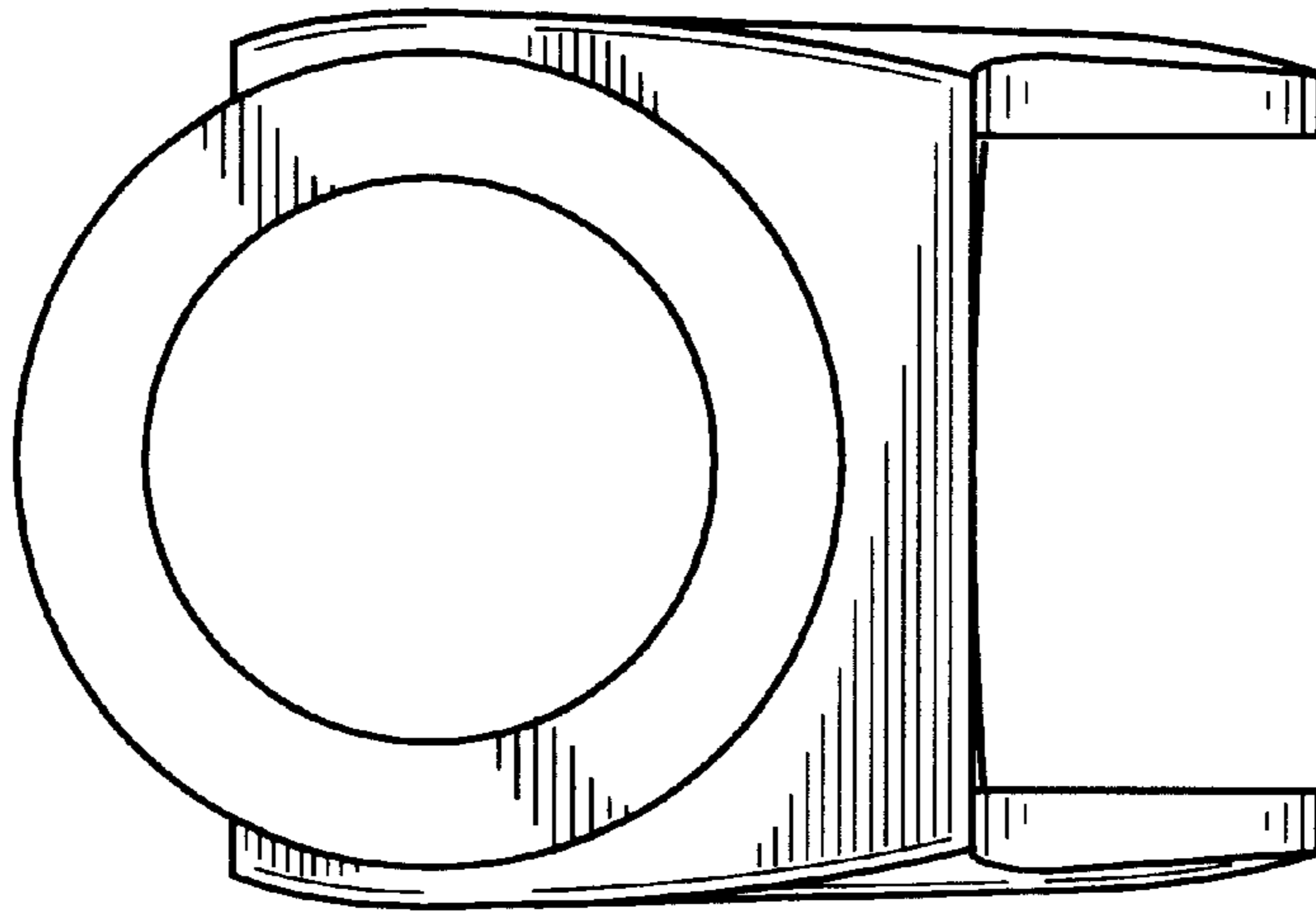


FIG. 5

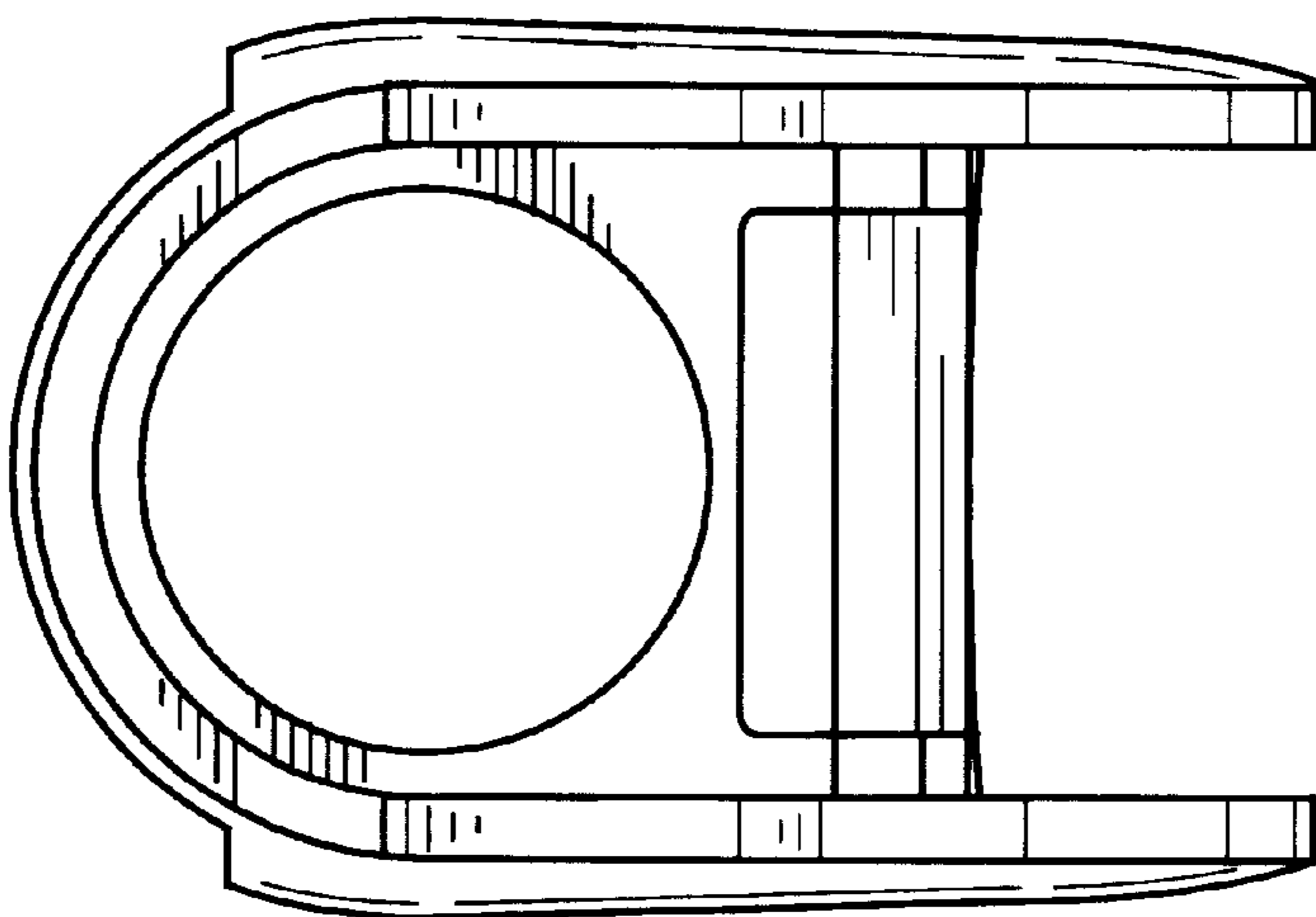


FIG. 6