



US00D468999S

(12) **United States Design Patent**
Zadak

(10) **Patent No.:** **US D468,999 S**

(45) **Date of Patent:** **** Jan. 21, 2003**

(54) **SIDE INSERT THREE-PRONG BACK WITH POSITIONING DIMPLE**

(75) Inventor: **Craig Zadak**, Roscoe, IL (US)

(73) Assignee: **Southern Imperial, Inc.**, Rockford, IL (US)

(**) Term: **14 Years**

(21) Appl. No.: **29/162,488**

(22) Filed: **Jun. 17, 2002**

(51) **LOC (7) Cl.** **08-05**

(52) **U.S. Cl.** **D8/373; D8/354**

(58) **Field of Search** D8/380, 349, 371, D8/354, 373; 248/220.42, 317, 467, 303-304, 220.41, 220.43, 220.31, 220.22, 222.11, 222.12, 228.4, 216.4, 216.1, 218.1, 215, 214; 40/606; 211/65, 66, 69, 60.1, 59.1, 57.1, 175, 96, 102, 113, 88.01, 41.17

(56) **References Cited**

U.S. PATENT DOCUMENTS

3,216,680	A	*	11/1965	Musante	248/304
4,750,698	A	*	6/1988	Barnes	211/59.1
4,898,354	A	*	2/1990	Whittington et al.	211/175
5,009,381	A	*	4/1991	Hermanson	211/59.1
6,186,455	B1	*	2/2001	Hollingsworth et al.	...	211/59.1
6,266,250	B1	*	7/2001	Foye	211/41.17

* cited by examiner

Primary Examiner—Pamela Burgess

(74) *Attorney, Agent, or Firm*—Leydig, Voit & Mayer, Ltd.

(57) **CLAIM**

I claim the ornamental design for the side insert three-prong back with positioning dimple, as shown and described.

DESCRIPTION

FIG. 1 is a front perspective view of a side insert three-prong back with positioning dimple showing my new design;
 FIG. 2 is a rear perspective view thereof;
 FIG. 3 is a top plan view thereof;
 FIG. 4 is a front elevational view thereof;
 FIG. 5 is a bottom plan view thereof;
 FIG. 6 is an enlarged left side elevational view thereof;
 FIG. 7 is a right side elevational view thereof;
 FIG. 8 is a front perspective view thereof;
 FIG. 9 is a cross-sectional view thereof, taken along line 9—9 in FIG. 8;
 FIG. 10 is a front perspective view of a second embodiment of a side insert three-prong back with positioning dimple showing my new design;
 FIG. 11 is a rear perspective view thereof;
 FIG. 12 is a top plan view thereof;
 FIG. 13 is a front elevational view thereof;
 FIG. 14 is a bottom plan view thereof;
 FIG. 15 is an enlarged left side elevational view thereof;
 FIG. 16 is a right side elevational view thereof;
 FIG. 17 is a front perspective view thereof; and,
 FIG. 18 is a cross-sectional view thereof taken along line 18—18 in FIG. 17.

The broken lines showing environmental structure in FIGS. 8, 9, 17, and 18 are for illustrative purposes only and form no part of the claimed design.

1 Claim, 10 Drawing Sheets

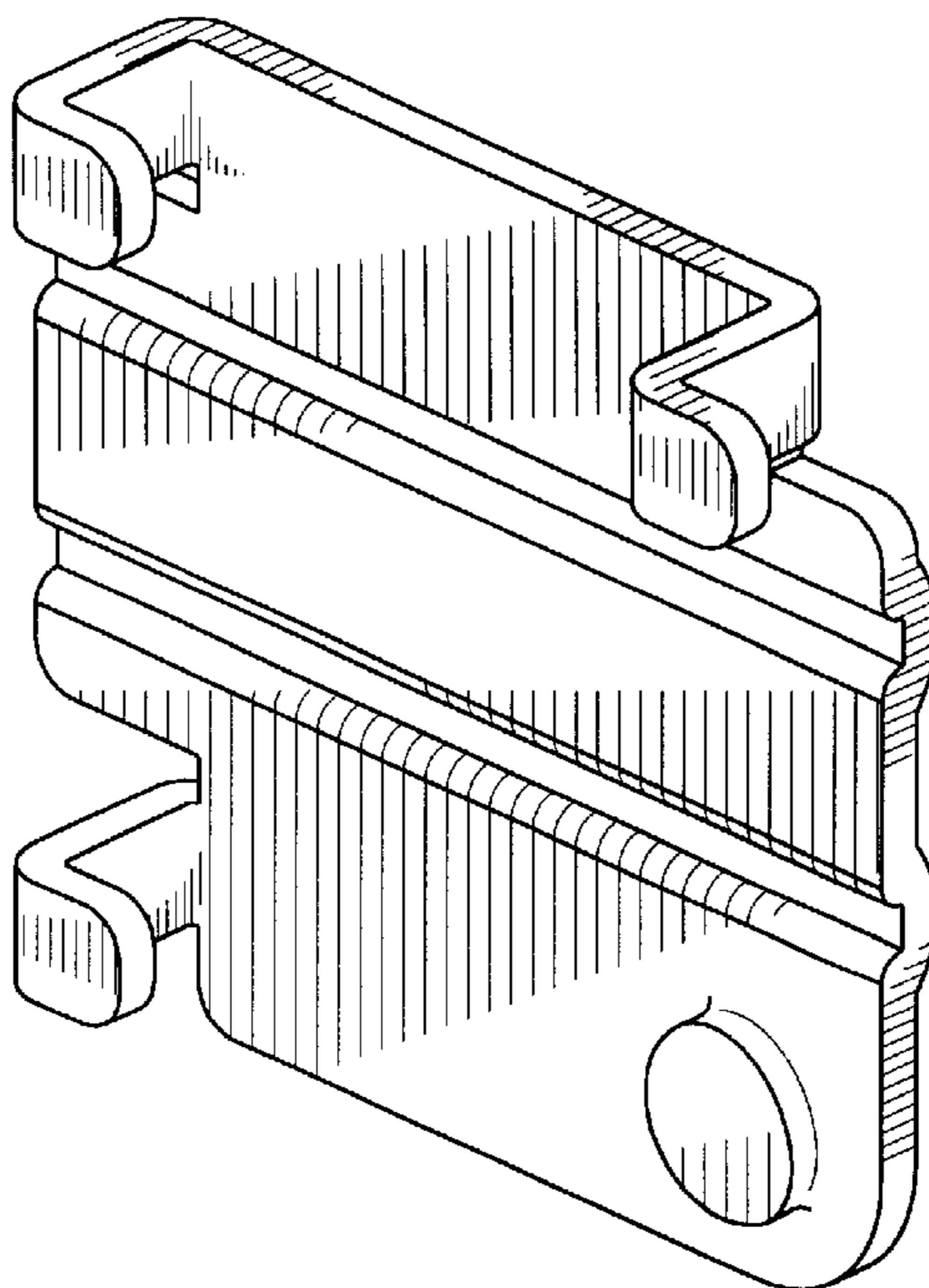


FIG. 1

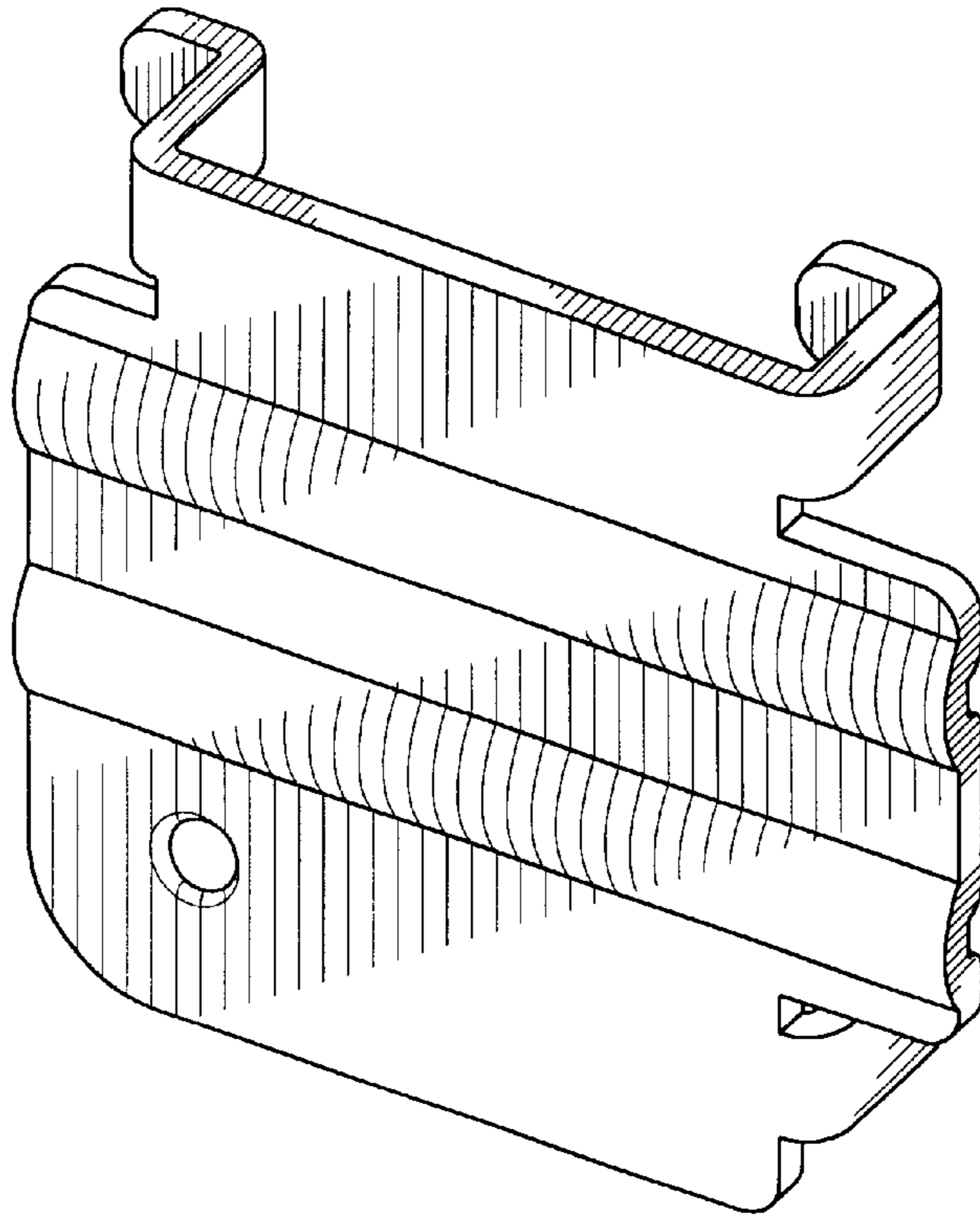


FIG. 2

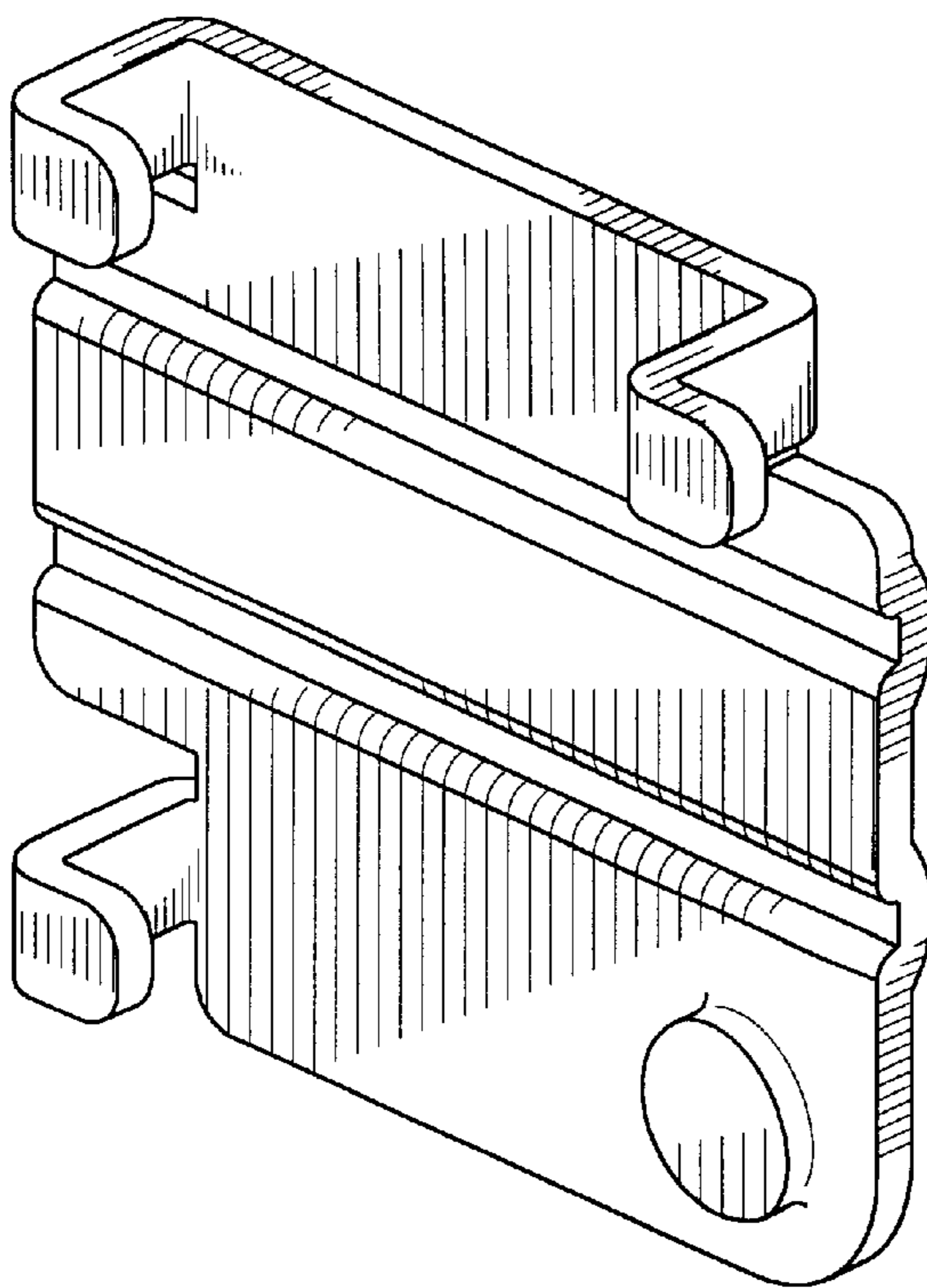


FIG. 3

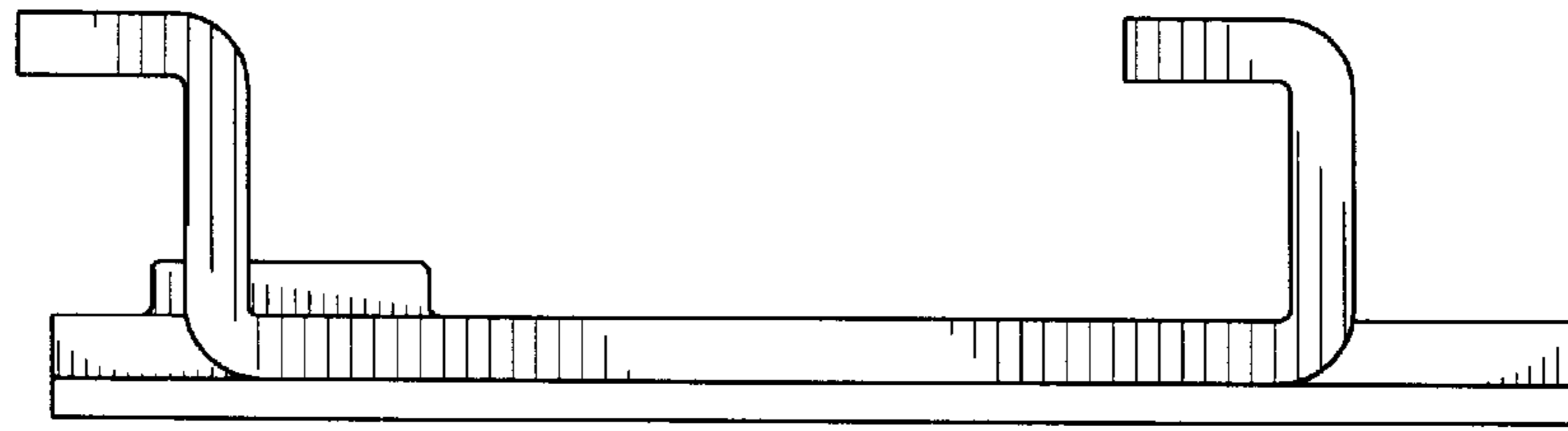


FIG. 4

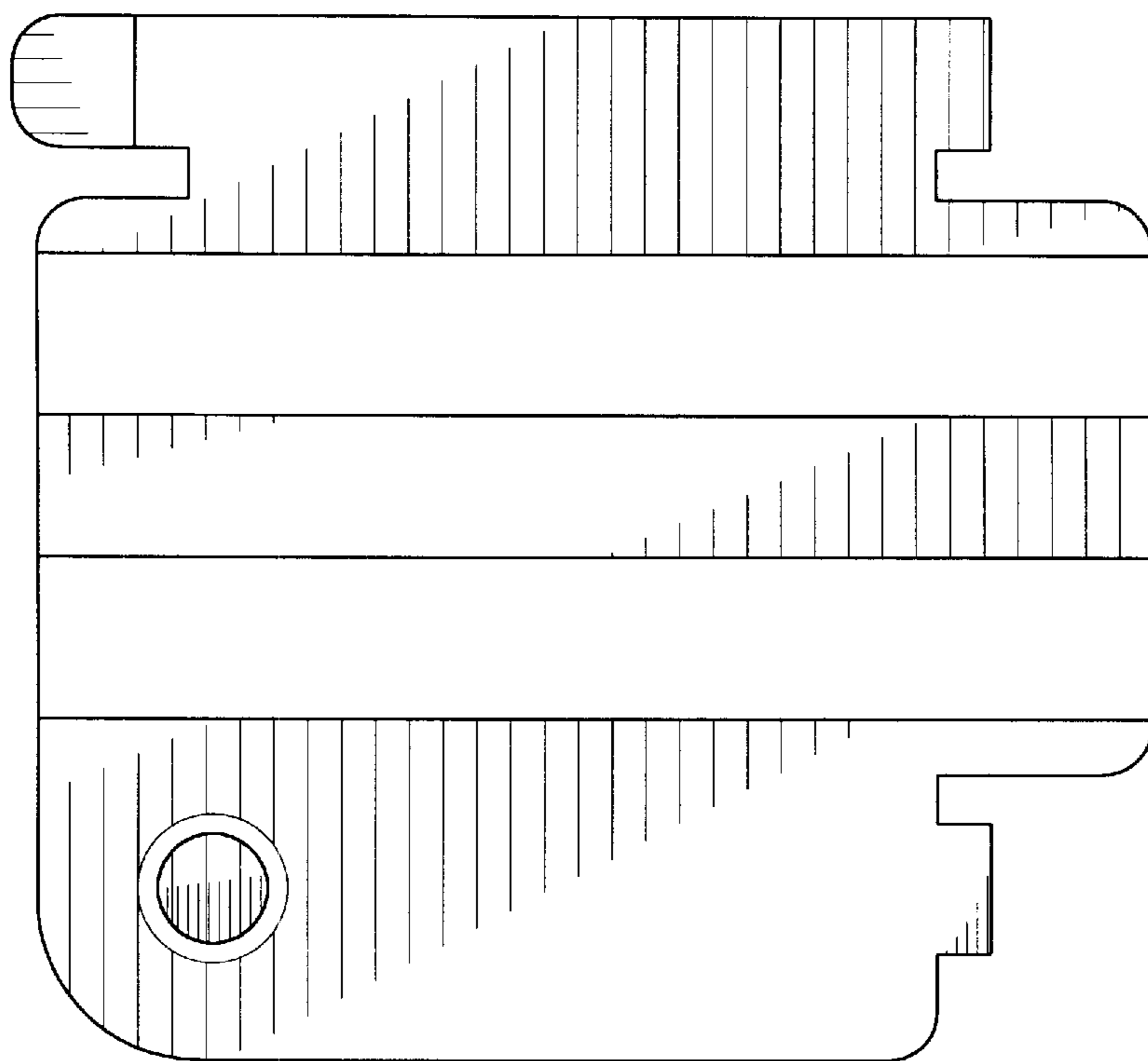


FIG. 5

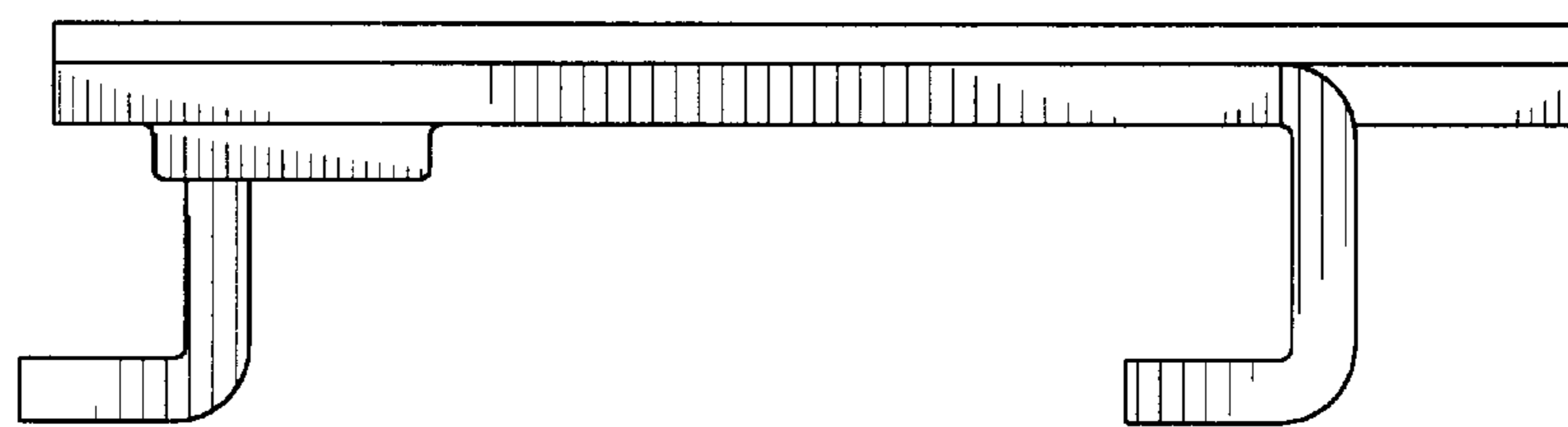


FIG. 6

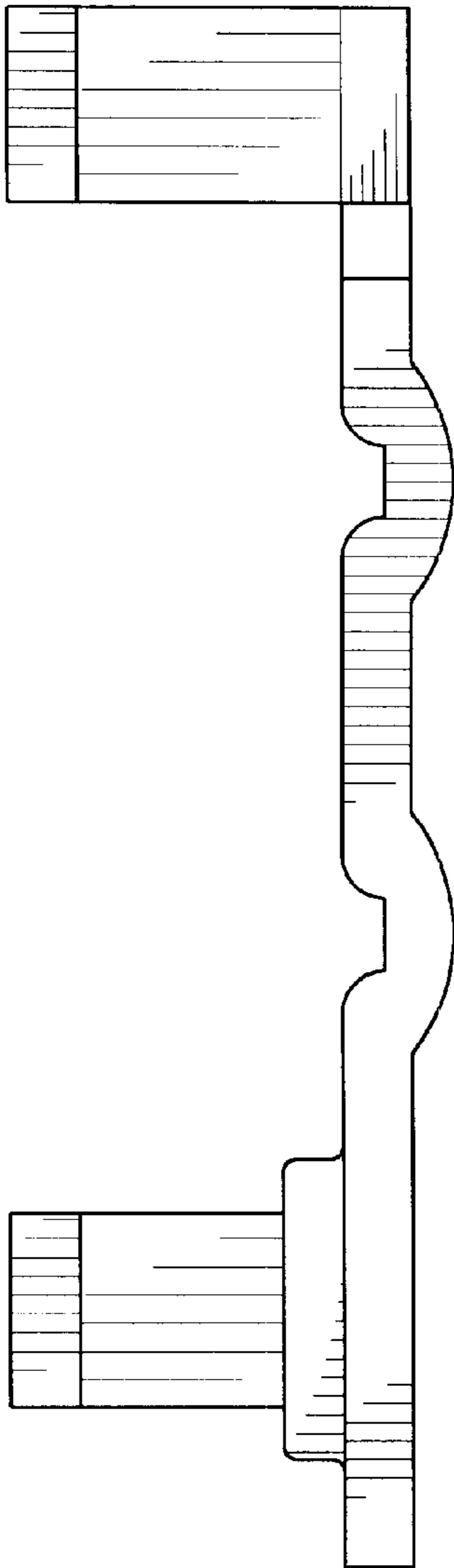


FIG. 7

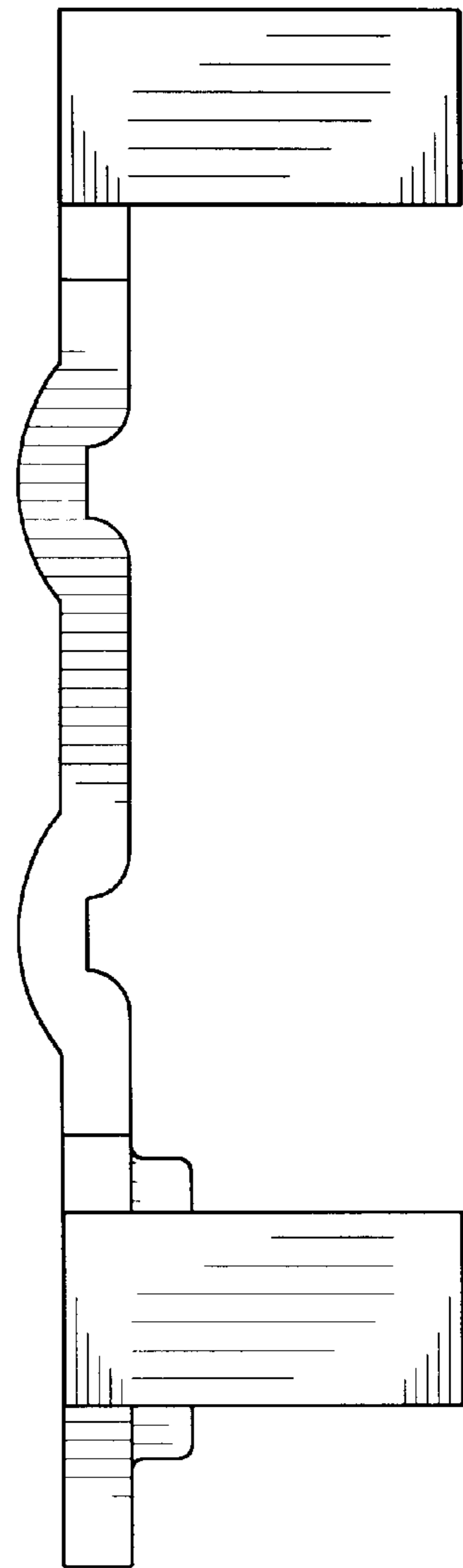


FIG. 8

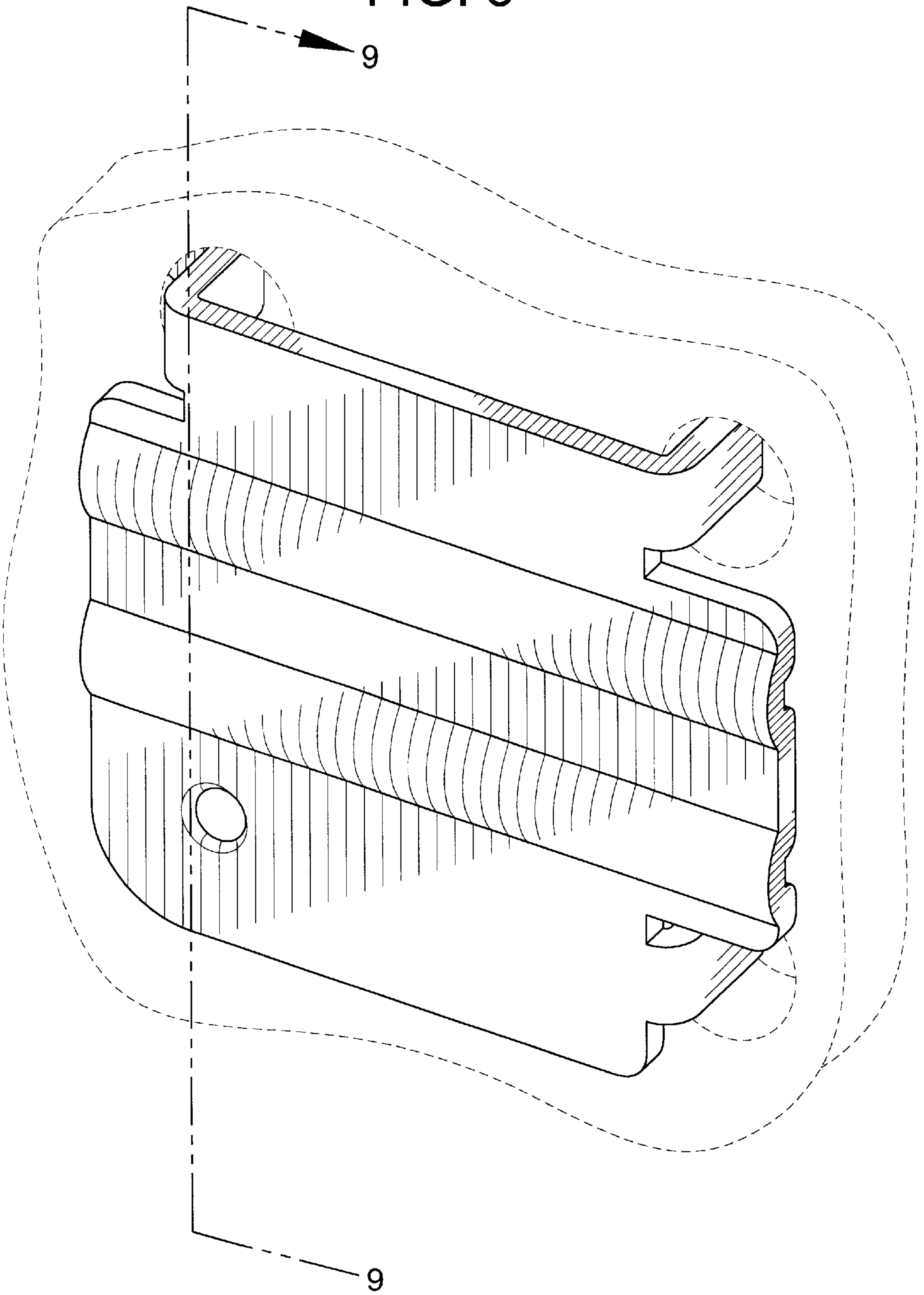


FIG. 9

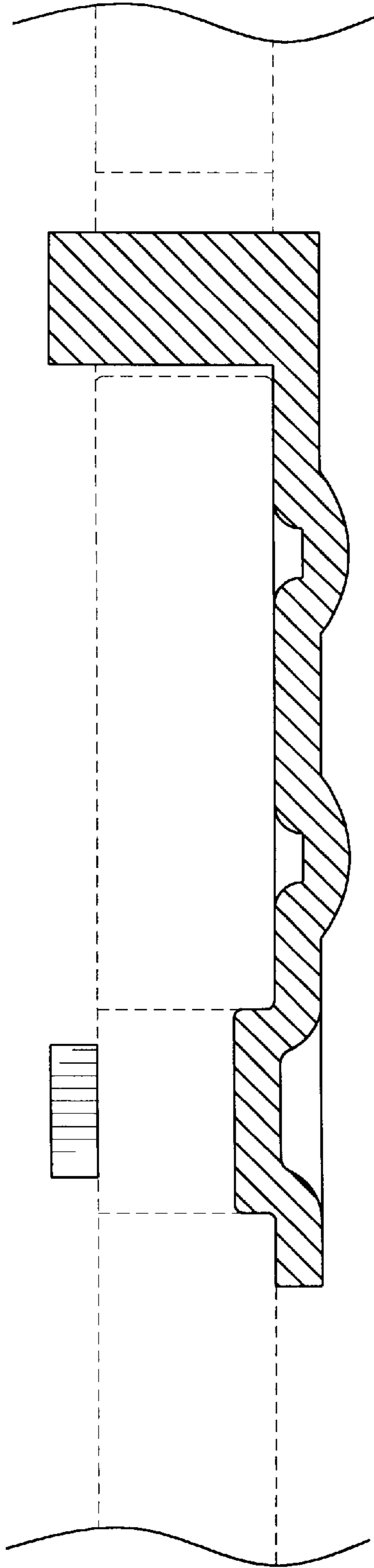


FIG. 10

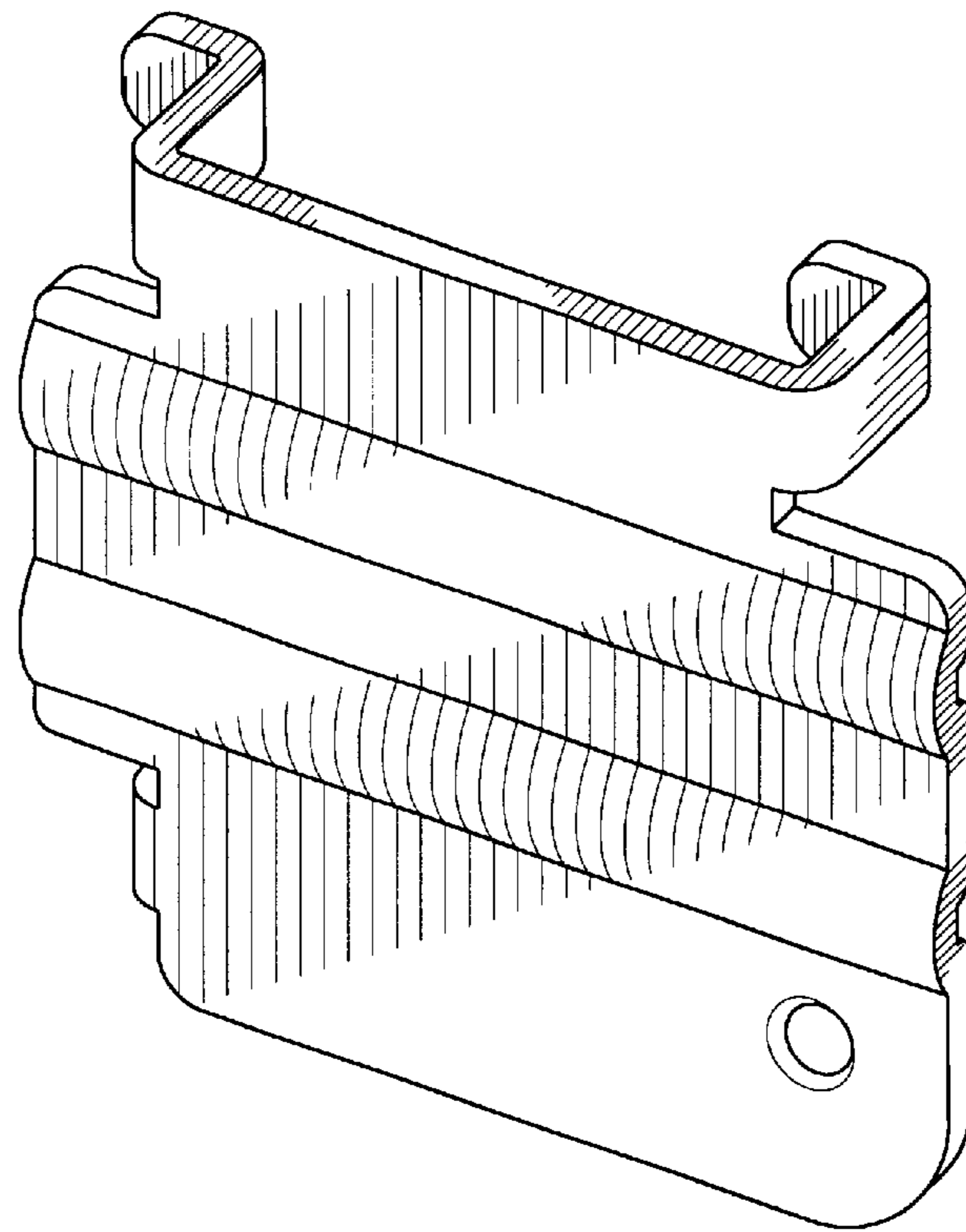


FIG. 11

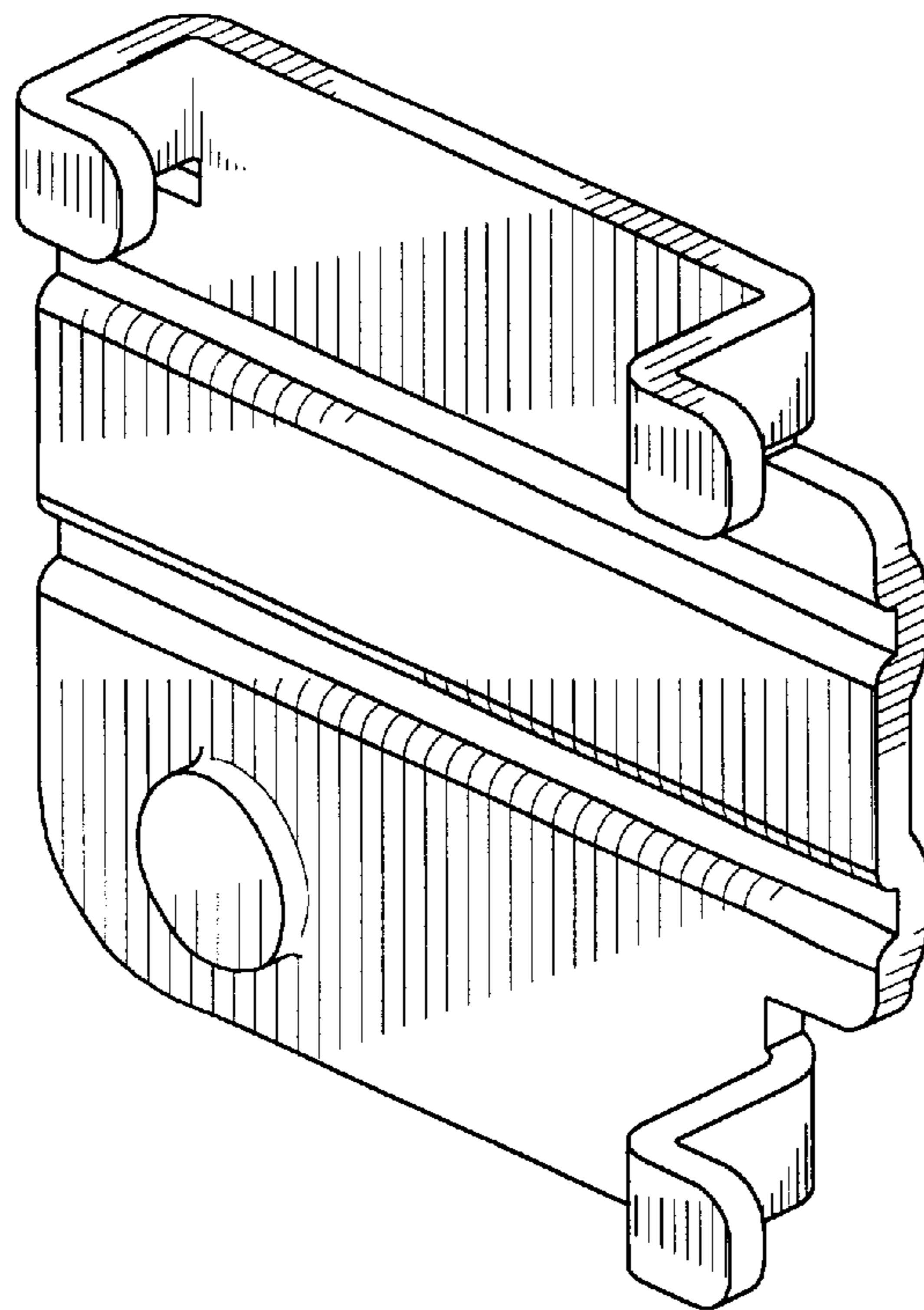


FIG. 12

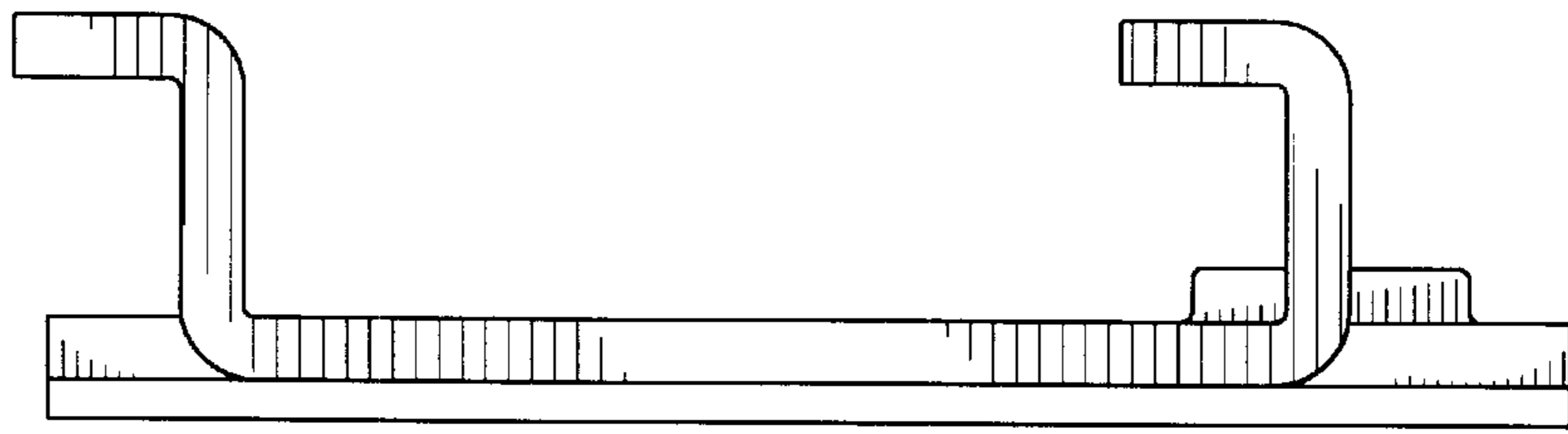


FIG. 13

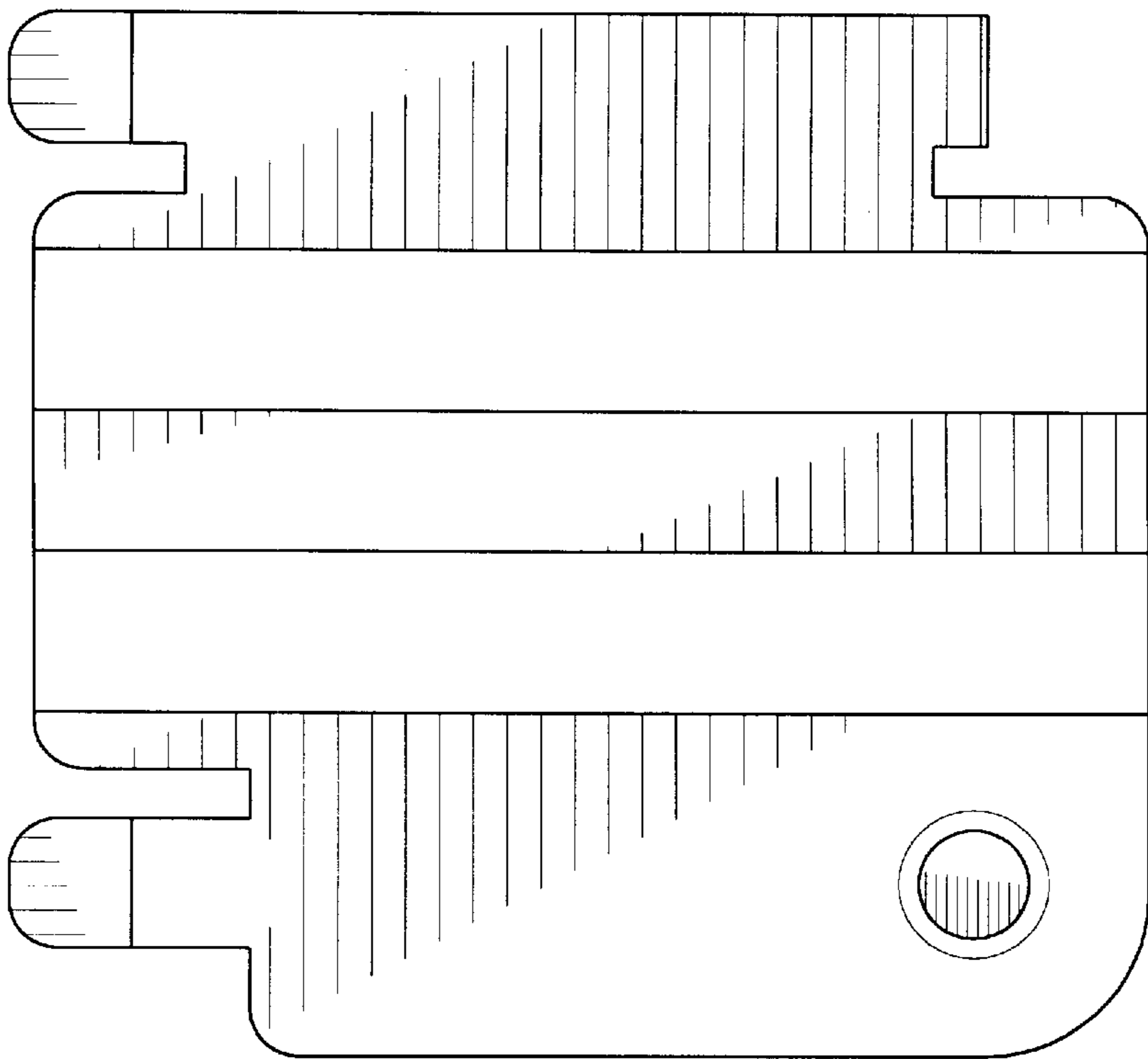


FIG. 14

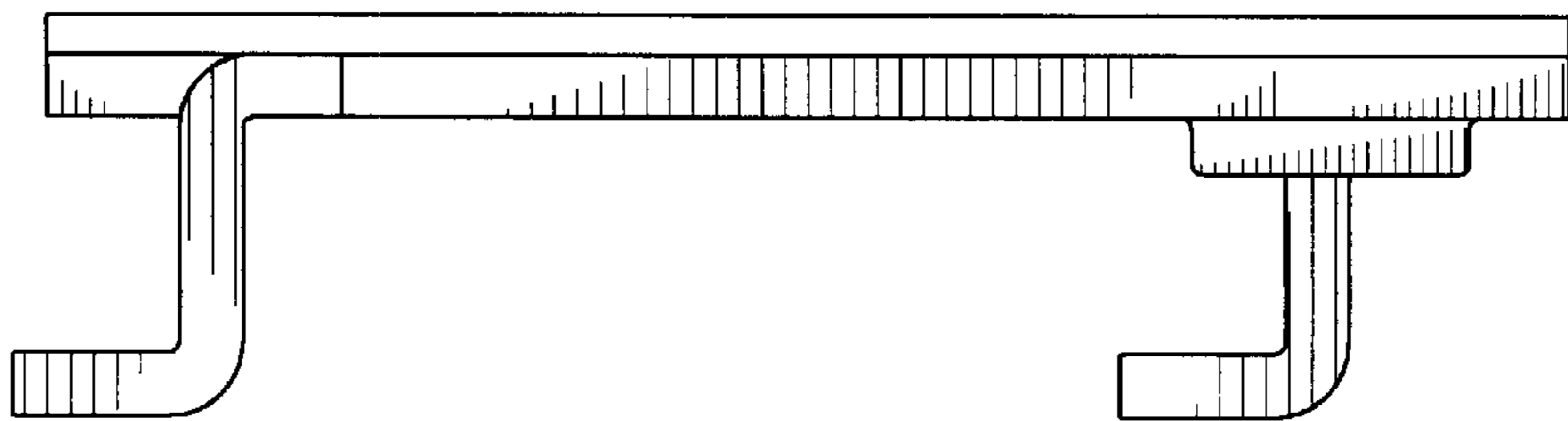


FIG. 15

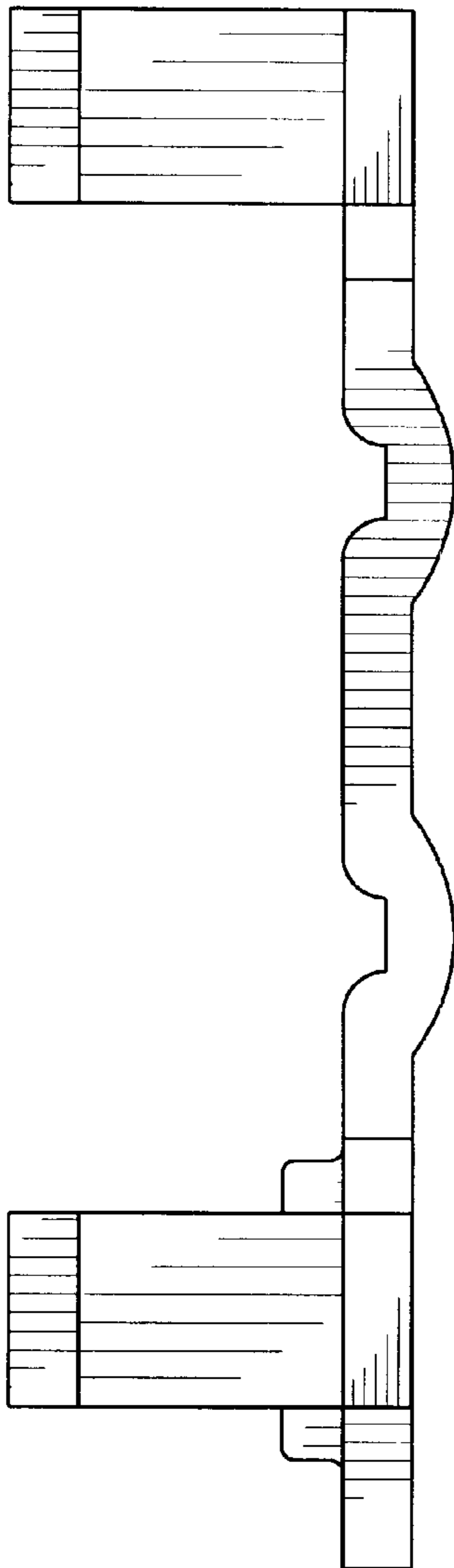


FIG. 16

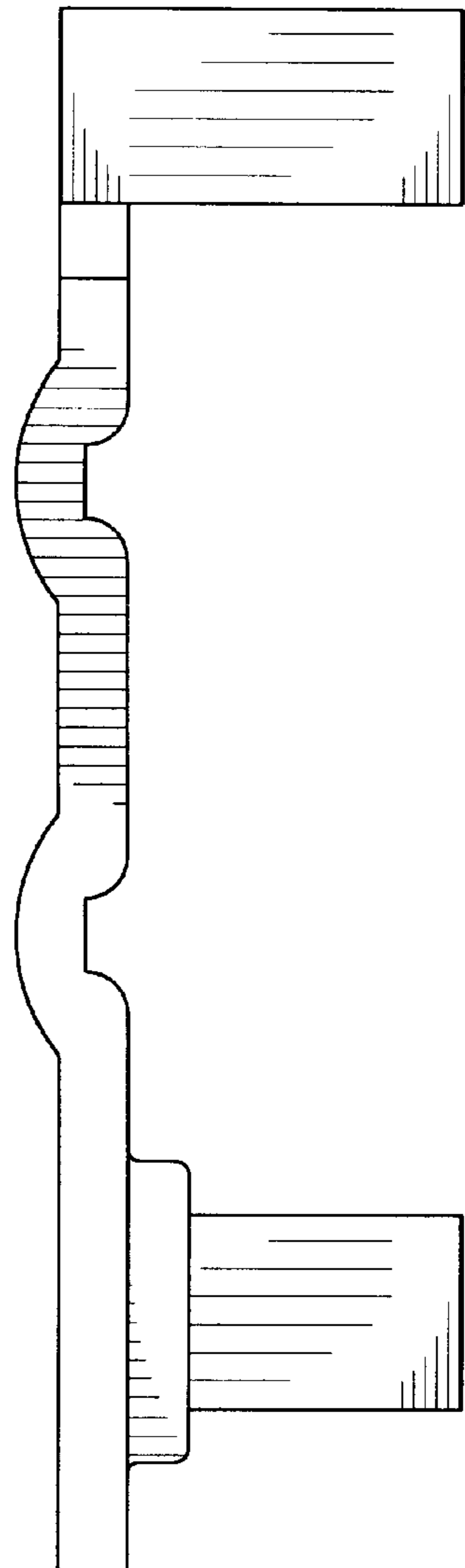


FIG. 17

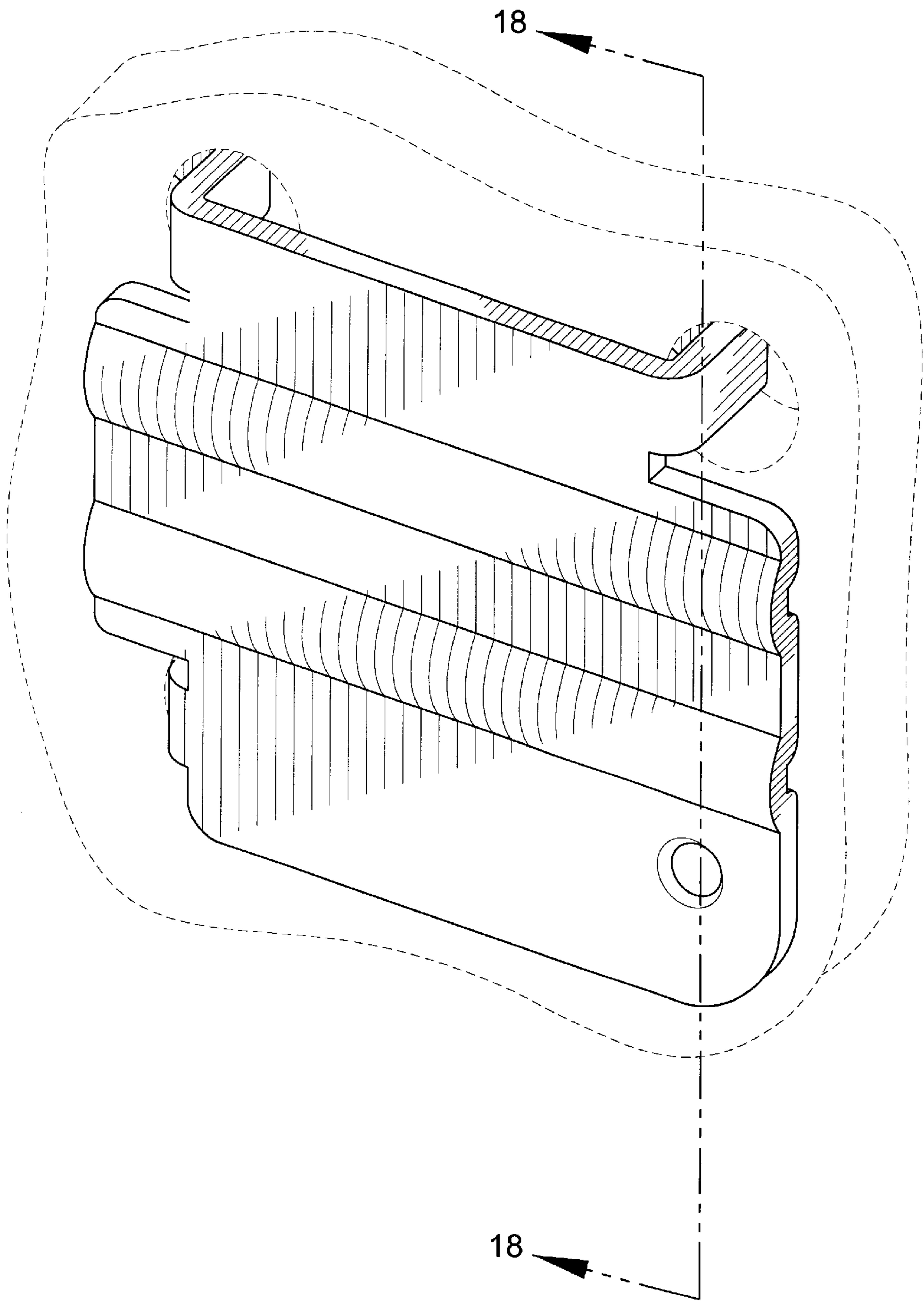


FIG. 18

