



US00D468998S

(12) **United States Design Patent**  
**Zadak**

(10) **Patent No.:** **US D468,998 S**

(45) **Date of Patent:** **\*\* Jan. 21, 2003**

(54) **DOOR BRACKET FOR SUSPENDING STRIP HANGERS**

D404,288 S \* 1/1999 Orser ..... D8/373  
6,209,826 B1 \* 4/2001 Pratt, Jr. .... 248/231.9  
6,317,926 B1 \* 11/2001 Ren ..... 16/221

(75) Inventor: **Craig Zadak**, Roscoe, IL (US)

\* cited by examiner

(73) Assignee: **Southern Imperial, Inc.**, Rockford, IL (US)

*Primary Examiner*—Pamela Burgess

(74) *Attorney, Agent, or Firm*—Leydig, Voit & Mayer, Ltd.

(\*\*) Term: **14 Years**

(57) **CLAIM**

(21) Appl. No.: **29/161,093**

I claim the ornamental design for the door bracket for suspending strip hangers, as shown and described.

(22) Filed: **May 22, 2002**

**DESCRIPTION**

(51) **LOC (7) Cl.** ..... **08-05**

(52) **U.S. Cl.** ..... **D8/373; D8/363; D8/19**

(58) **Field of Search** ..... D8/373, 349, 354,  
D8/367, 19, 16; D6/325; 211/35; 248/300–304,  
214–215, 200–201, 243, 489, 229.1, 295.11,  
231.9; 52/712, 715

FIG. 1 is a right, front perspective view of a door bracket for suspending strip hangers showing my new design;

FIG. 2 is a top view of the door bracket shown in FIG. 1;

FIG. 3 is a front view of the label holder shown in FIG. 1;

FIG. 4 is a rear view of the label holder shown in FIG. 1;

FIG. 5 is a bottom view of the label holder shown in FIG. 1;

FIG. 6 is a side view of the label holder shown in FIG. 1, taken from the left; and,

FIG. 7 is a side view of the label holder shown in FIG. 1, taken from the right.

(56) **References Cited**

**U.S. PATENT DOCUMENTS**

1,865,134 A \* 6/1932 Plimpton ..... 248/200  
D329,372 S \* 9/1992 Wilms ..... D8/363  
D385,481 S \* 10/1997 Klein et al. .... D8/373

**1 Claim, 4 Drawing Sheets**

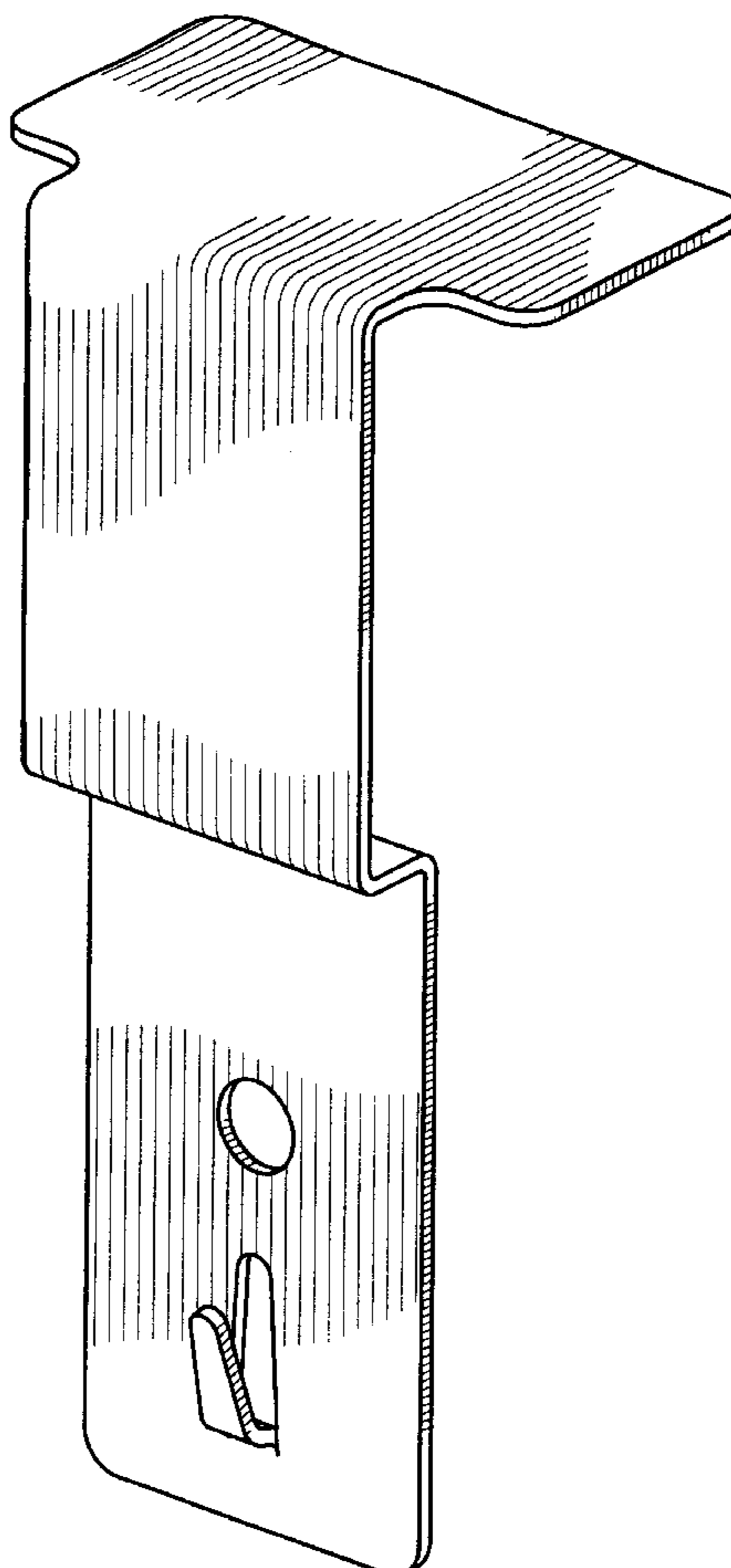


FIG. 1

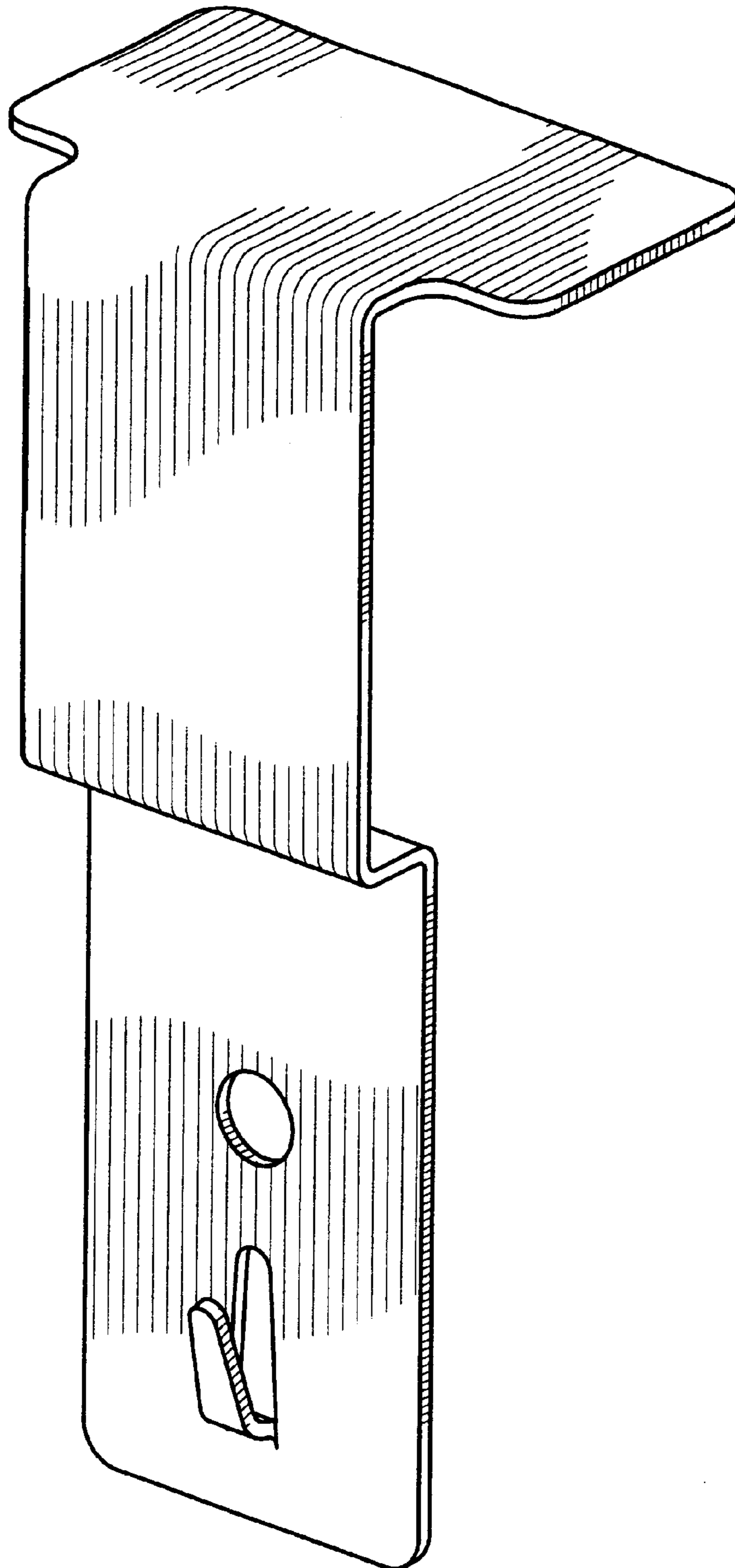


FIG. 2

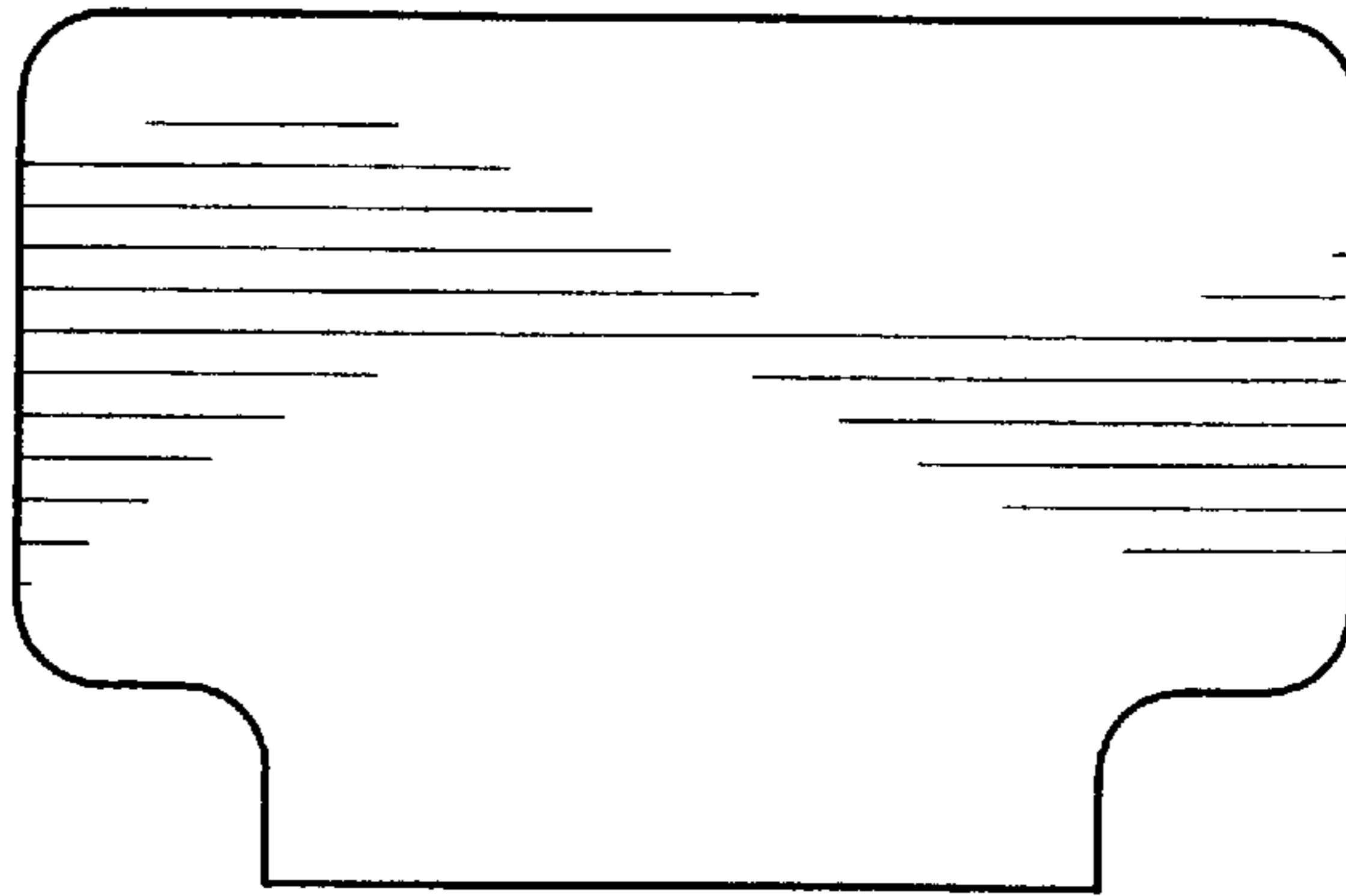


FIG. 3

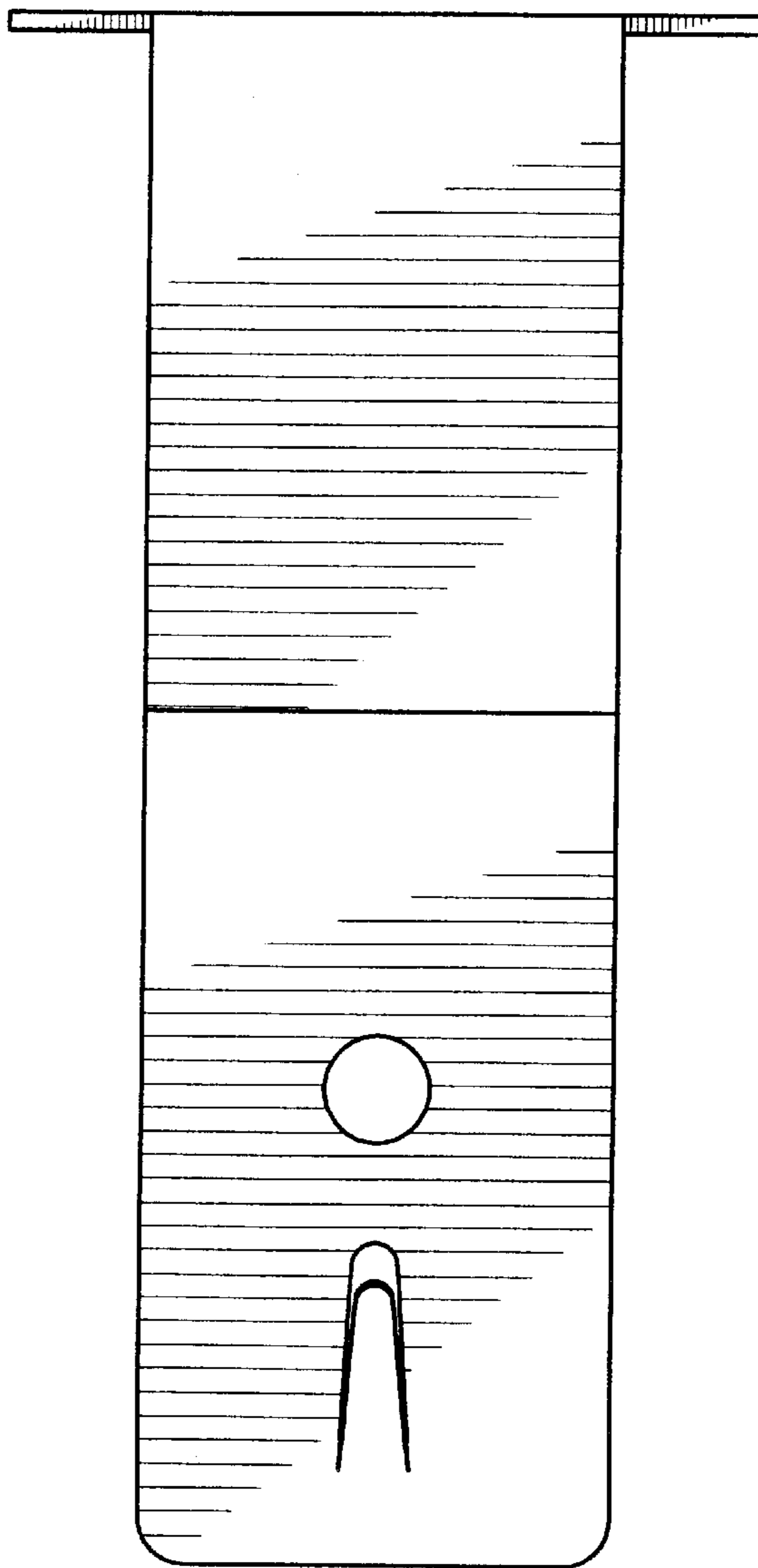


FIG. 4

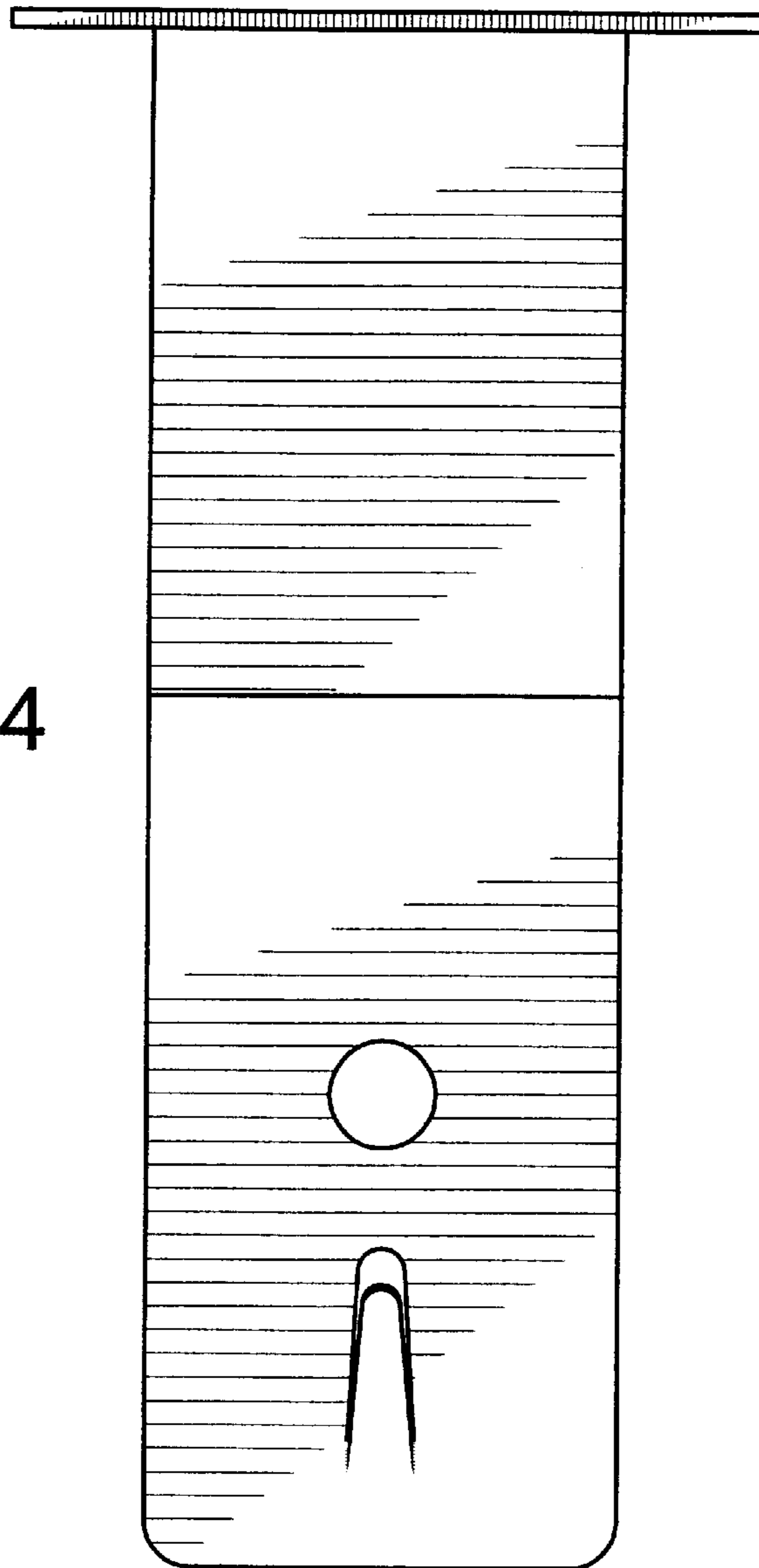


FIG. 5

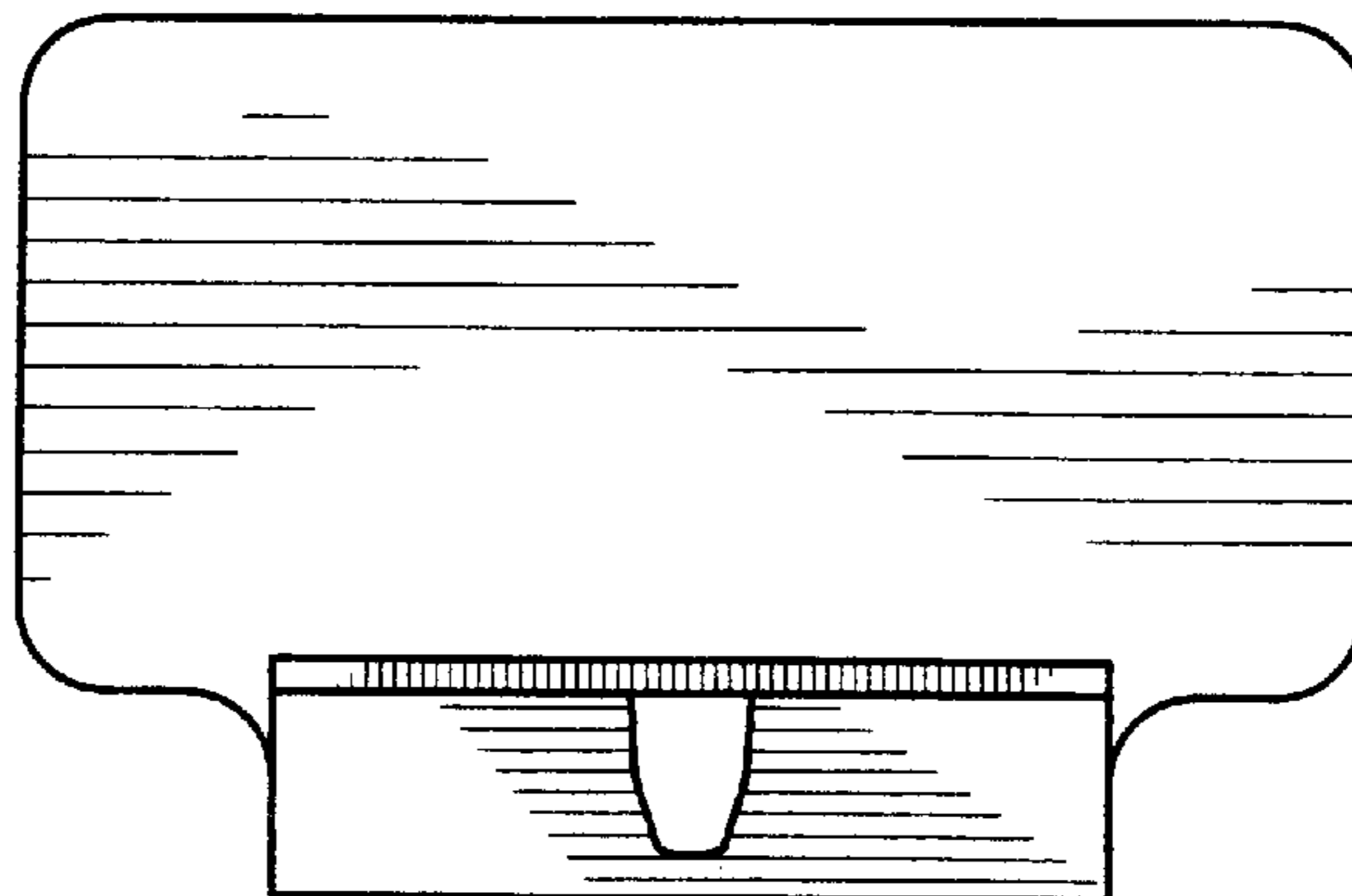


FIG. 6

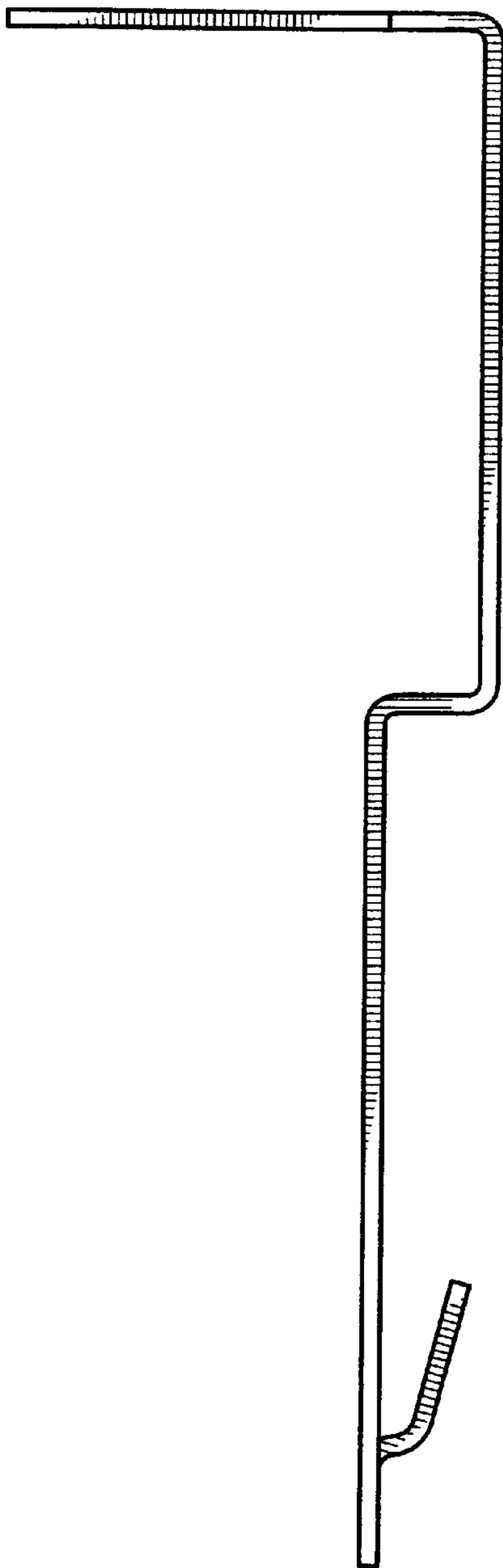


FIG. 7

