



US00D468991S

(12) **United States Design Patent**
Makos et al.

(10) **Patent No.:** **US D468,991 S**

(45) **Date of Patent:** **** Jan. 21, 2003**

(54) **BIKE CUFF LOCK**

(75) Inventors: **Timothy Makos**, Brookfield, WI (US);
Joseph Elliot, Mequon, WI (US);
Glenn Meekma, Menomonee Falls, WI (US);
Terrence K. Mahon, Whitefish Bay, WI (US);
Dio Caverio, Columbus, OH (US)

(73) Assignee: **Master Lock Company**, Milwaukee, WI (US)

(**) Term: **14 Years**

(21) Appl. No.: **29/162,157**

(22) Filed: **Jun. 11, 2002**

Related U.S. Application Data

(63) Continuation of application No. 29/141,204, filed on May 1, 2001.

(51) **LOC (7) Cl.** **08-02**

(52) **U.S. Cl.** **D8/333**

(58) **Field of Search** D8/330, 331, 333;
70/14, 15, 16, 17, 18, 51, 57, 58

(56) **References Cited**

U.S. PATENT DOCUMENTS

3,392,554 A *	7/1968	Williamson	70/16
3,423,871 A *	1/1969	Foley	70/16
3,618,345 A *	11/1971	Smith	70/16
4,089,195 A *	5/1978	Lai	70/16
5,205,142 A *	4/1993	Kruger et al.	70/16

OTHER PUBLICATIONS

Declaration of Steve Quinette.
Declaration of Olivier Ginet.
1996 Jewelers Directory p. 677 as cited in the corresponding Canadian application Office Action attached hereto.

* cited by examiner

Primary Examiner—Brian N. Vinson
(74) *Attorney, Agent, or Firm*—Calfee, Halter & Griswold LLP

(57) **CLAIM**

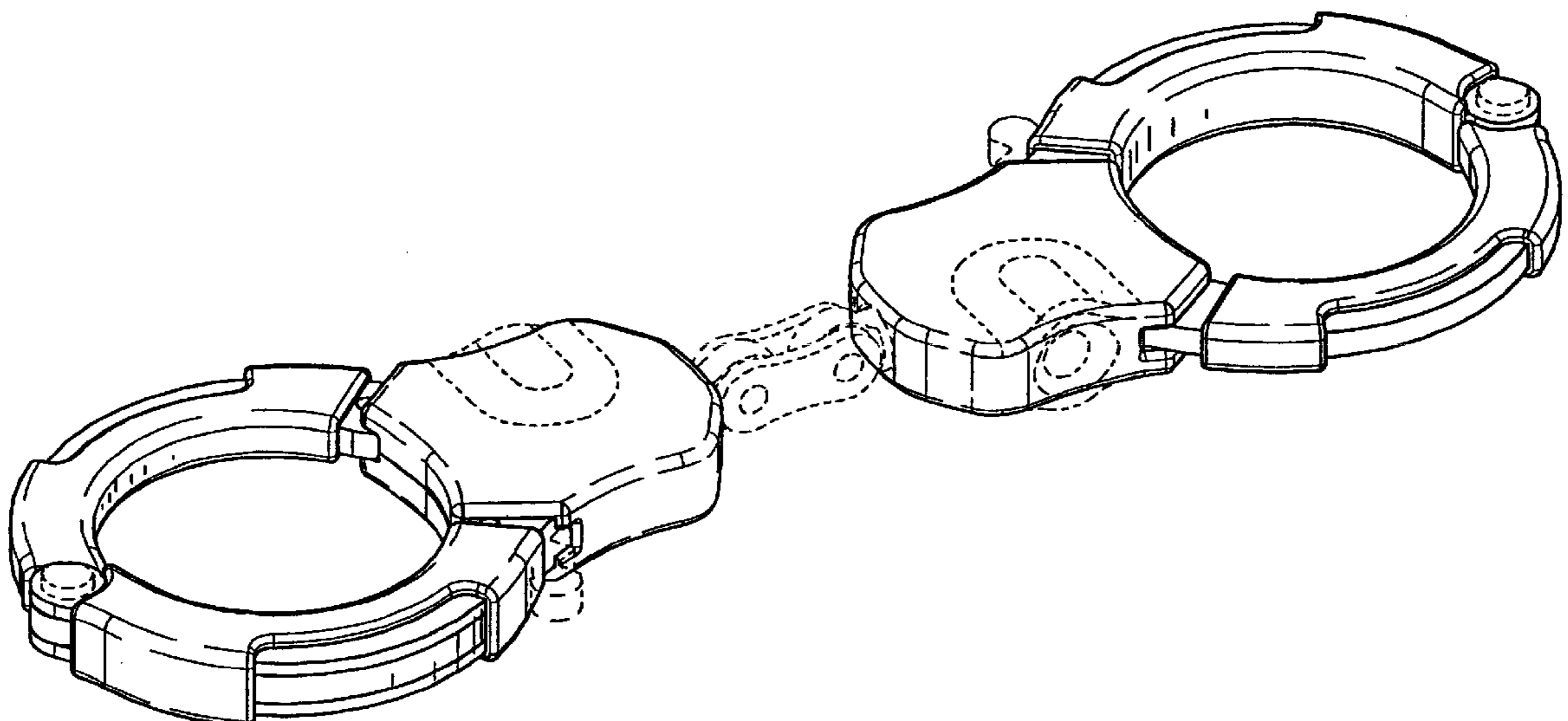
The ornamental design for a bike cuff lock, as shown and described.

DESCRIPTION

FIG. 1 is a perspective view of a first embodiment of the bike cuff lock shown in an unfolded position;
FIG. 2 is a front view of the bike cuff lock of FIG. 1;
FIG. 3 is a side view of the bike cuff lock of FIG. 1;
FIG. 4 is an end view of the bike cuff lock of FIG. 1;
FIG. 5 is a front view of the bike cuff lock of FIGS. 1 and 2 shown in the folded position;
FIG. 6 is a side view of the folded bike cuff lock of FIG. 5;
FIG. 7 is an end view of the left hand side of the bike cuff lock shown in FIG. 6;
FIG. 8 is an end view of the right hand side of the bike cuff lock shown in FIG. 6;
FIG. 9 is a perspective view of a second embodiment of a bike cuff lock shown in an unfolded position;
FIG. 10 is a front view of the bike cuff lock of FIG. 9;
FIG. 11 is a side view of the bike cuff lock of FIG. 9;
FIG. 12 is an end view of the bike cuff lock of FIG. 9;
FIG. 13 is a perspective view of a third embodiment of a bike cuff lock shown in an unfolded position;
FIG. 14 is a front view of the bike cuff lock of FIG. 13;
FIG. 15 is a side view of the bike cuff lock shown in FIG. 13; and,
FIG. 16 is an end view of the bike cuff lock shown in FIG. 13.

The broken lines are for illustration only and form no part of the claimed design.

1 Claim, 6 Drawing Sheets



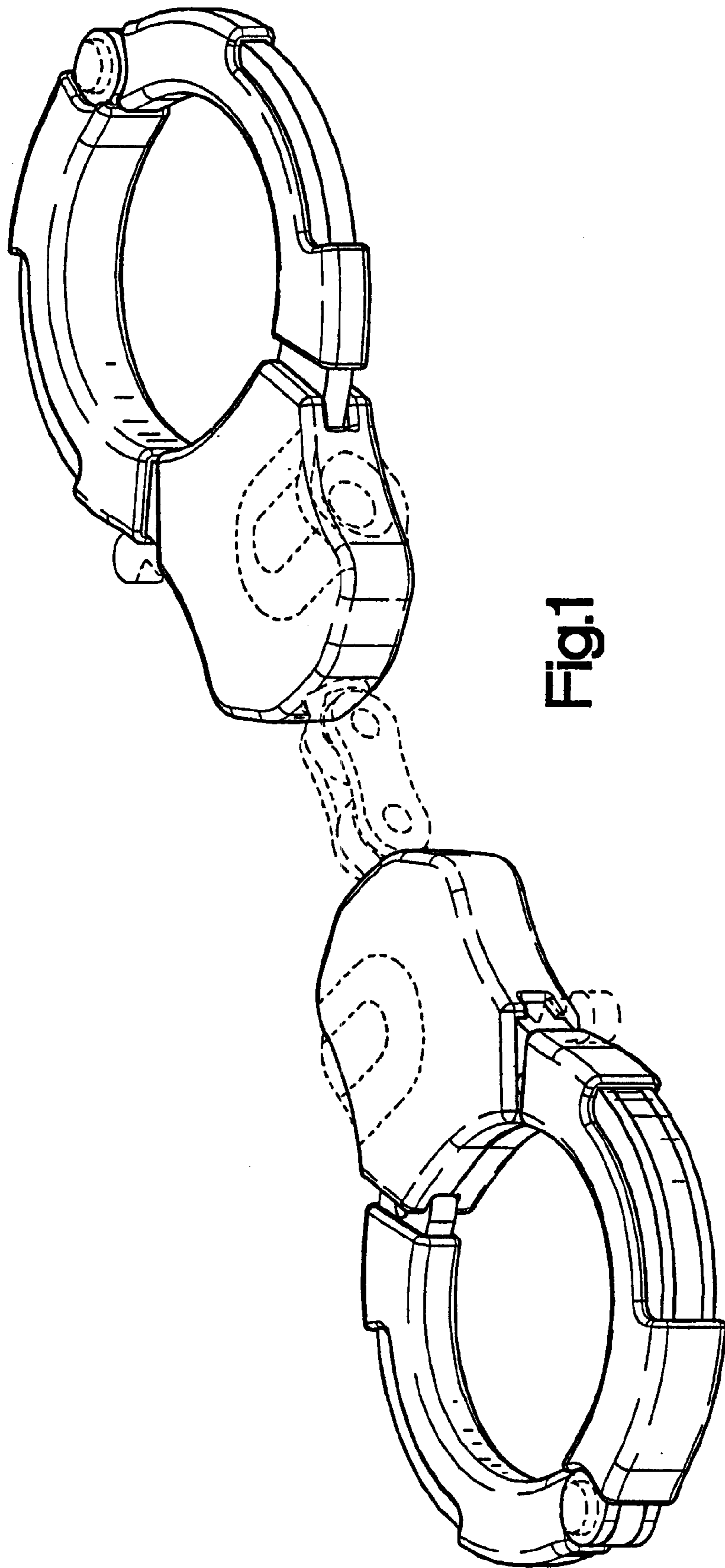


Fig.1

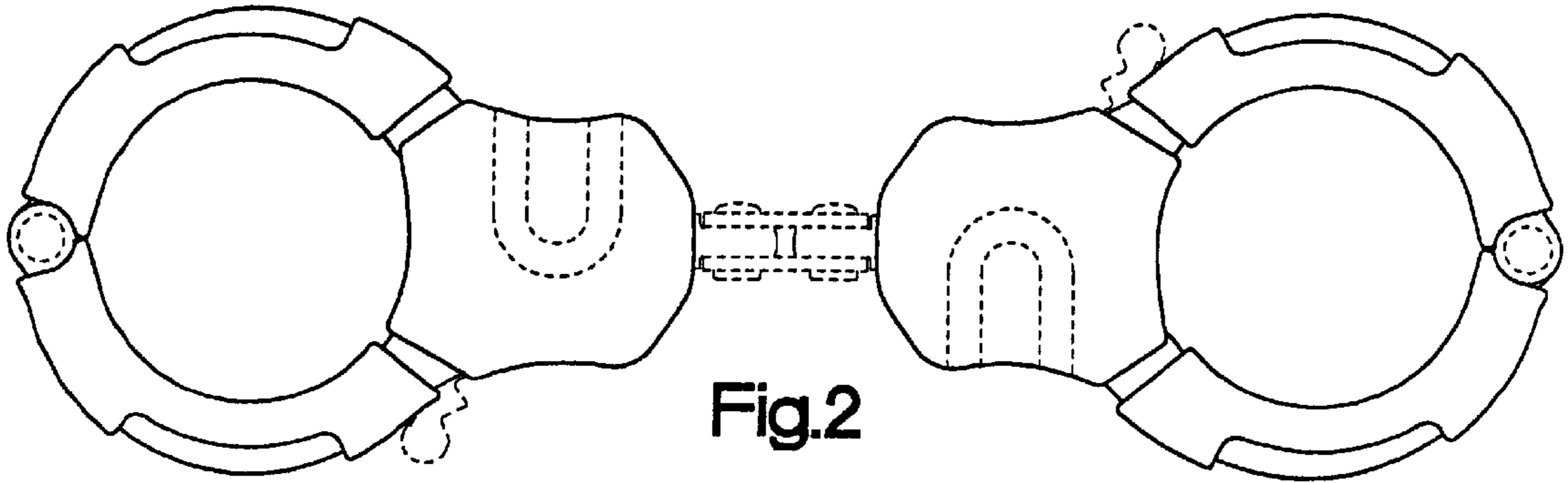


Fig.2



Fig.3



Fig.4

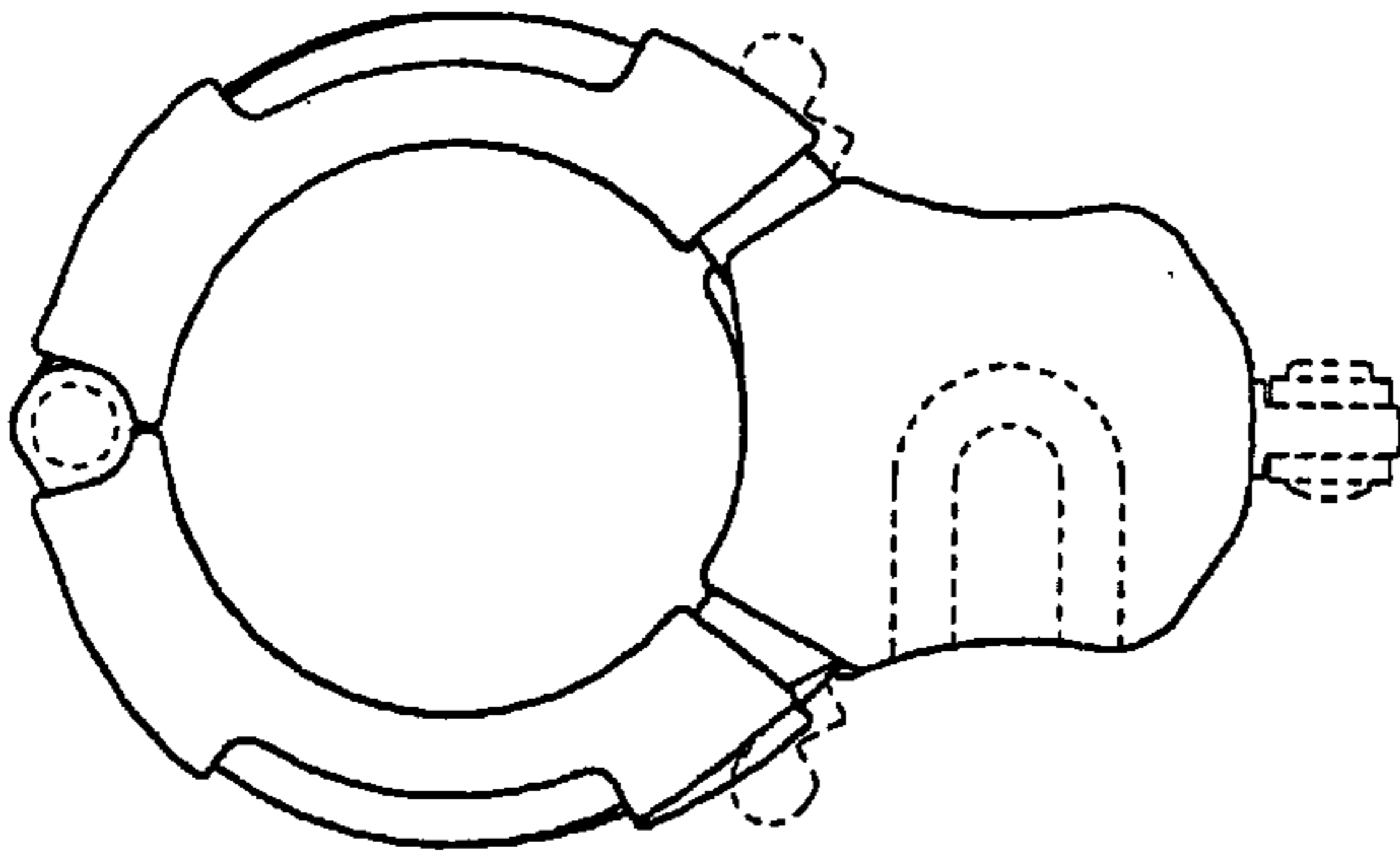


Fig.5

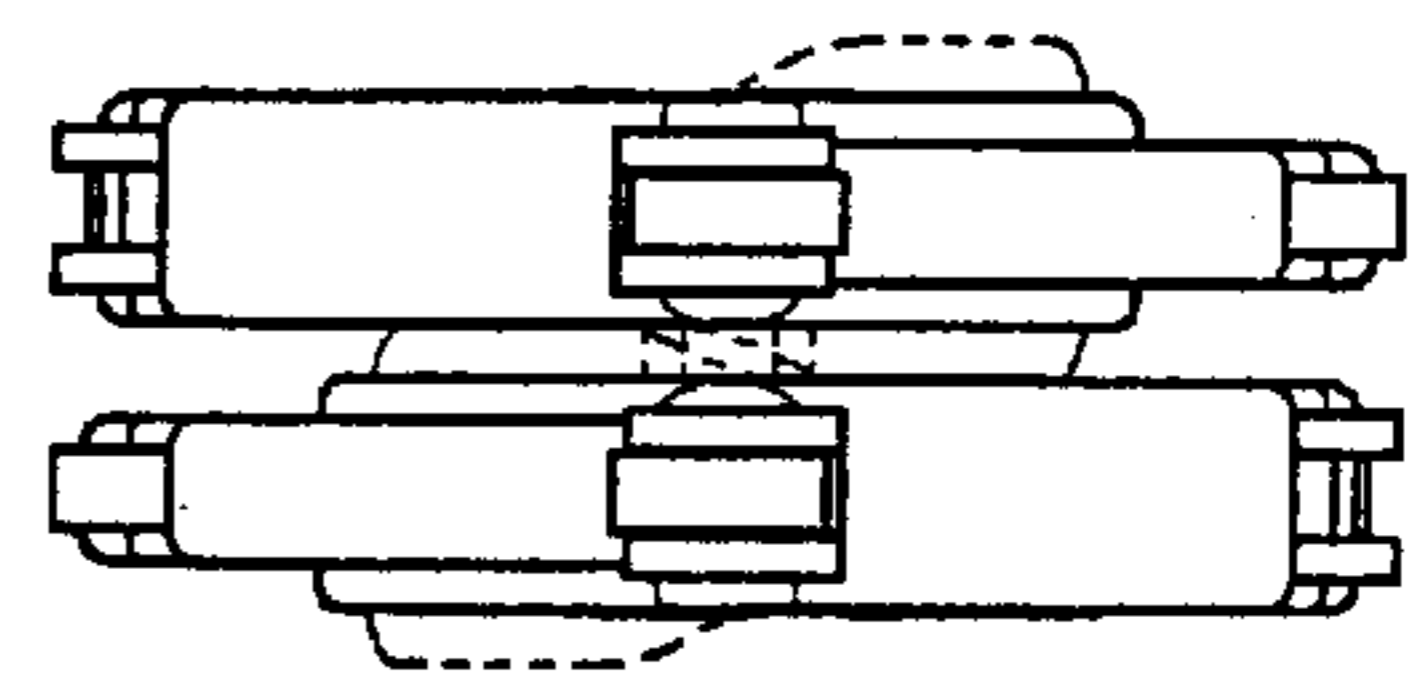


Fig.7

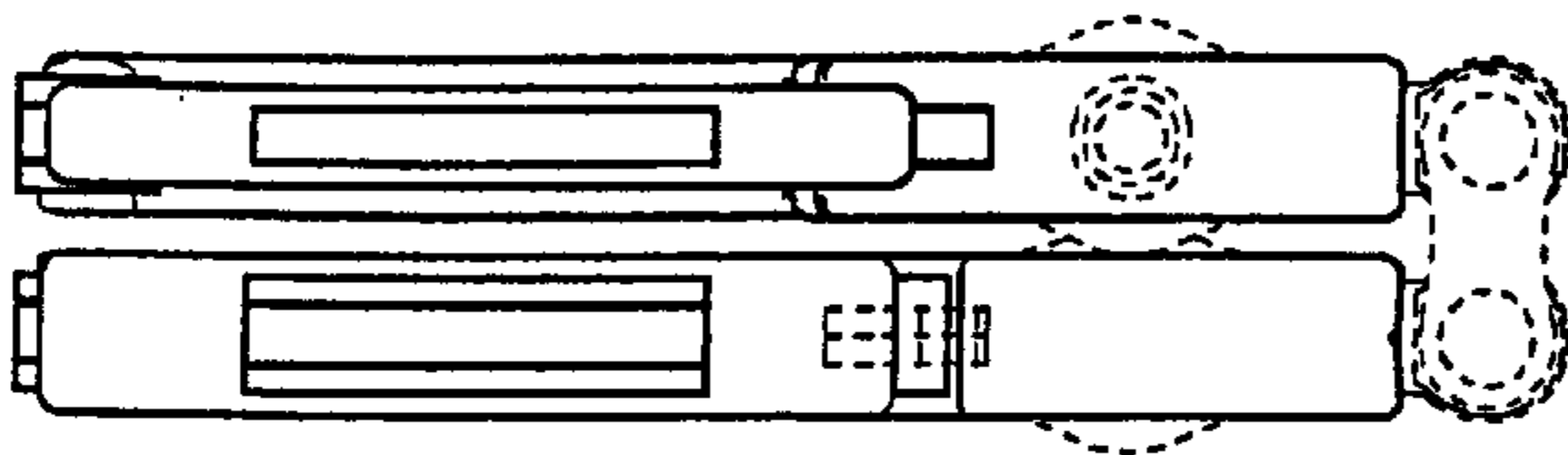


Fig.6

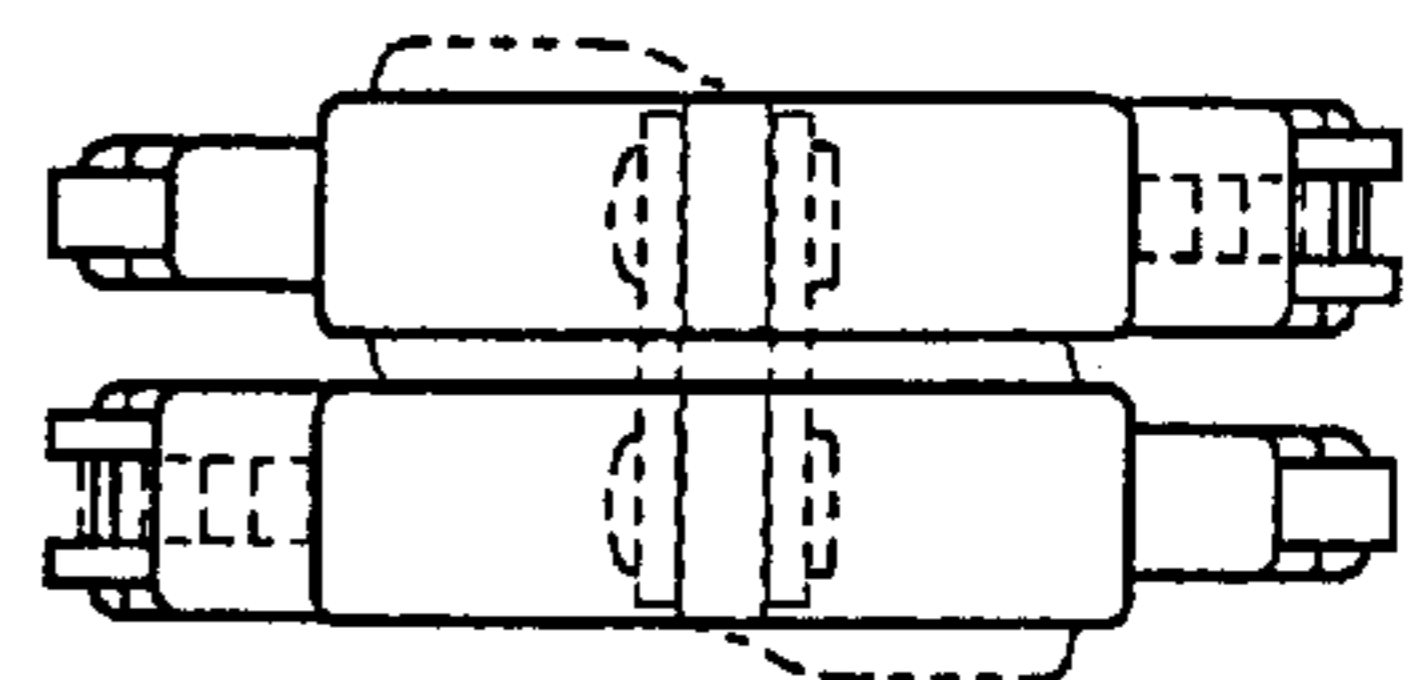


Fig.8

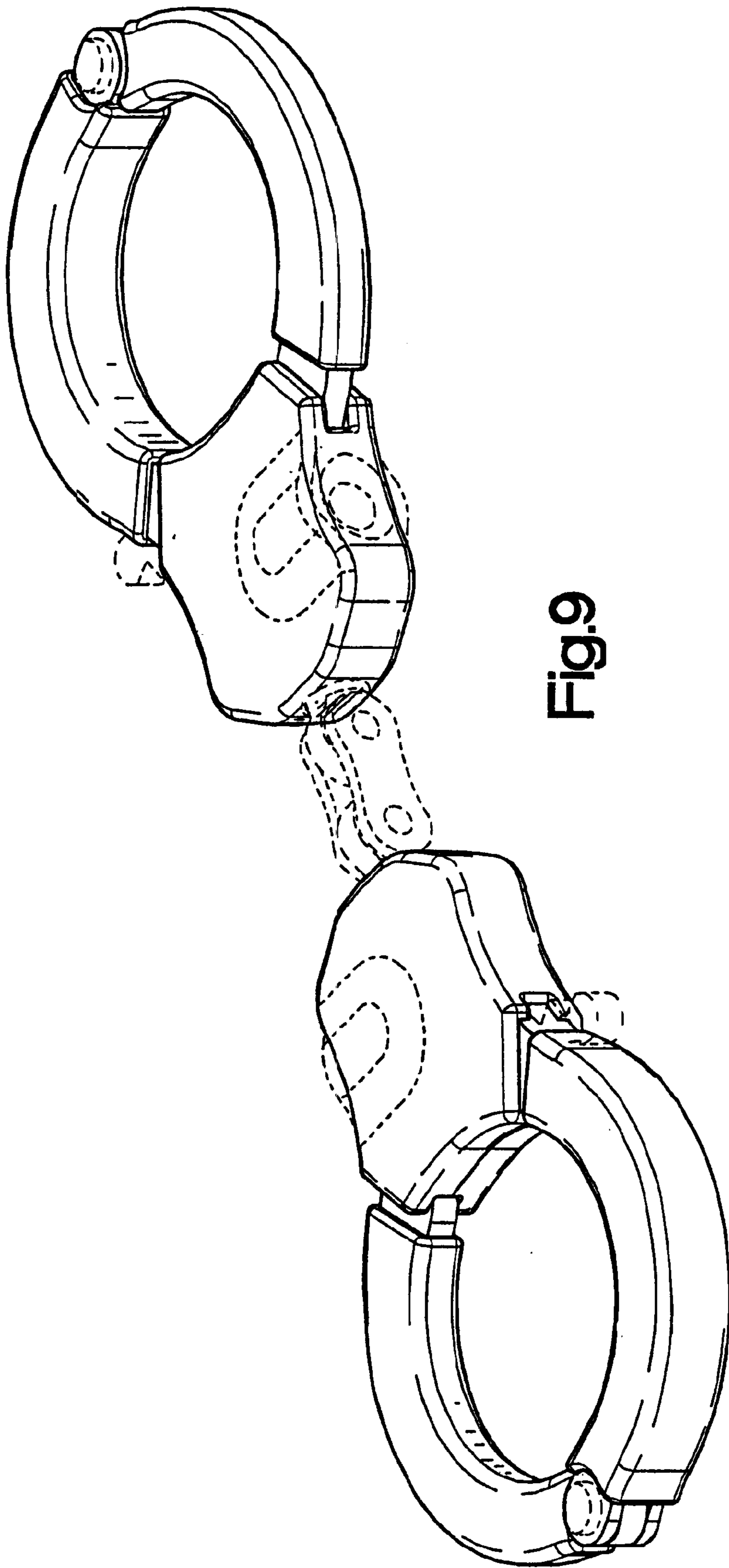


Fig. 9

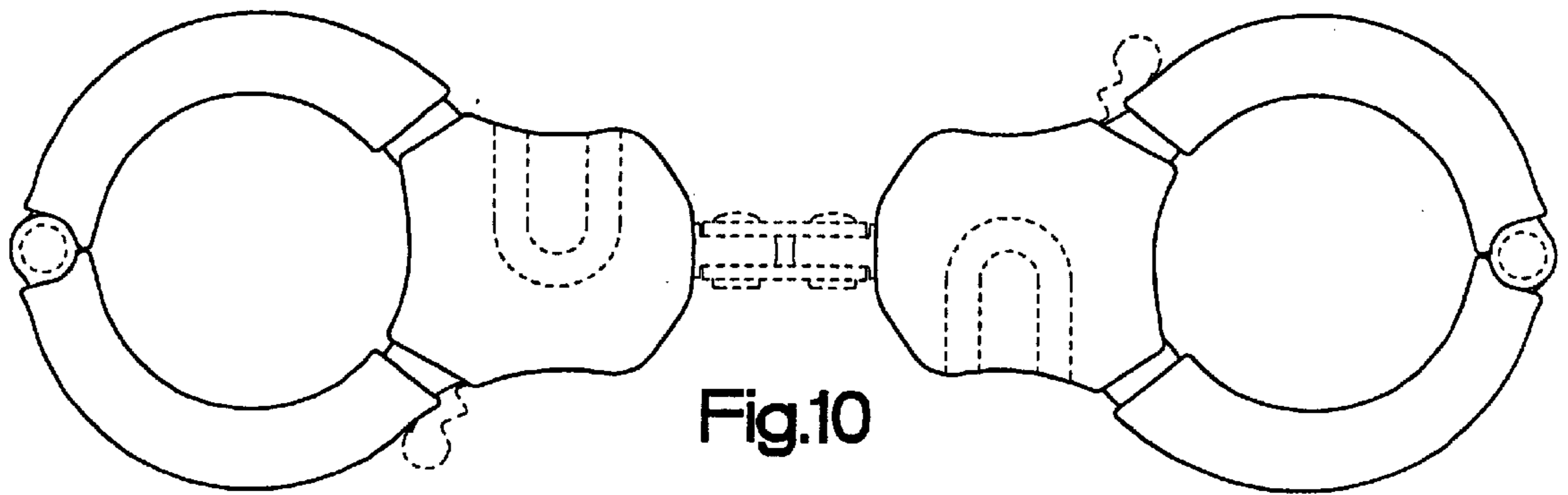


Fig.10



Fig.11

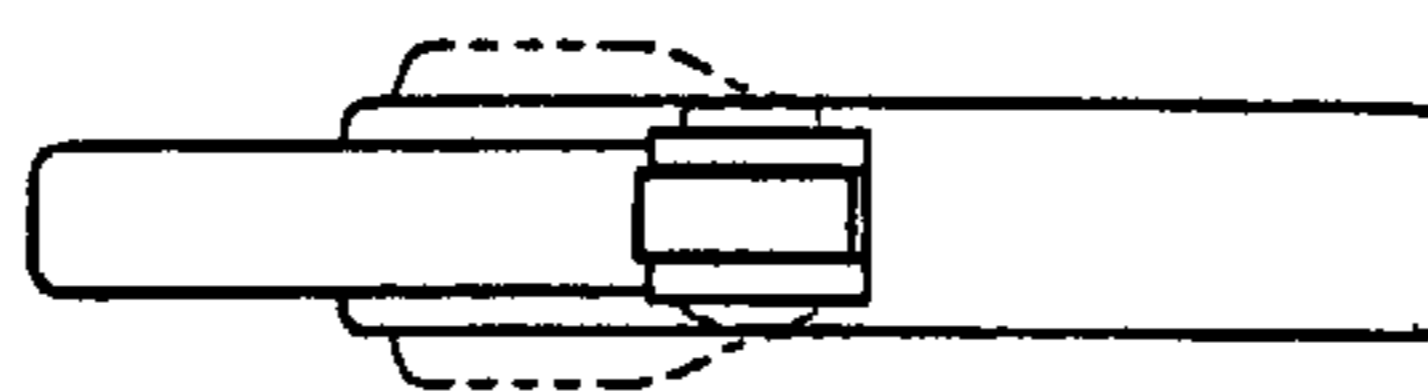


Fig.12

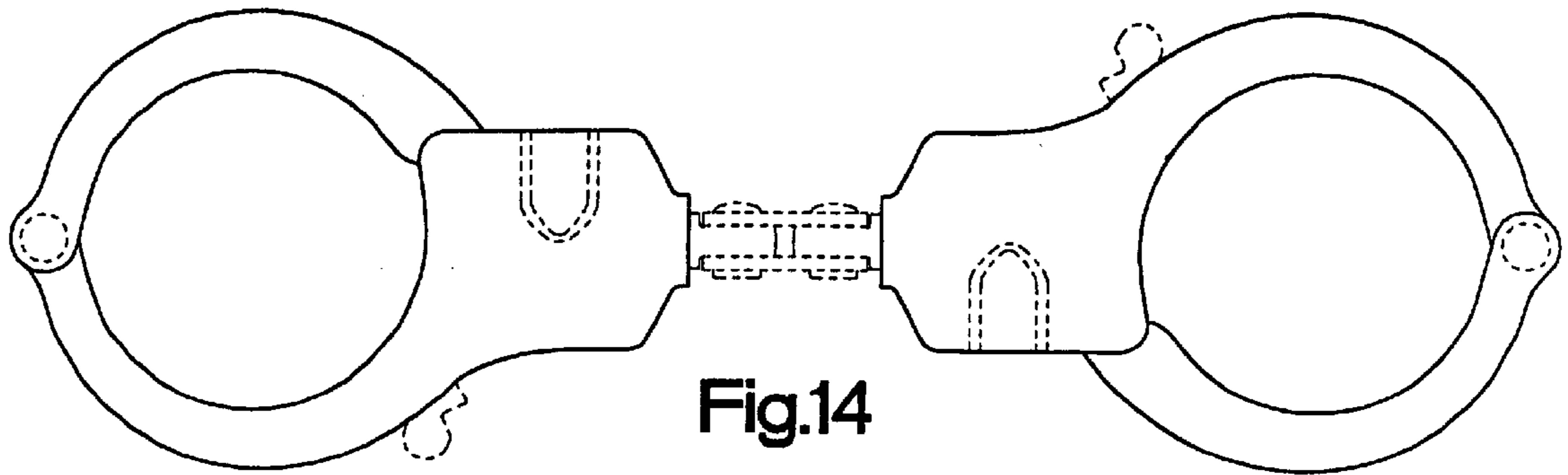


Fig.14



Fig.15

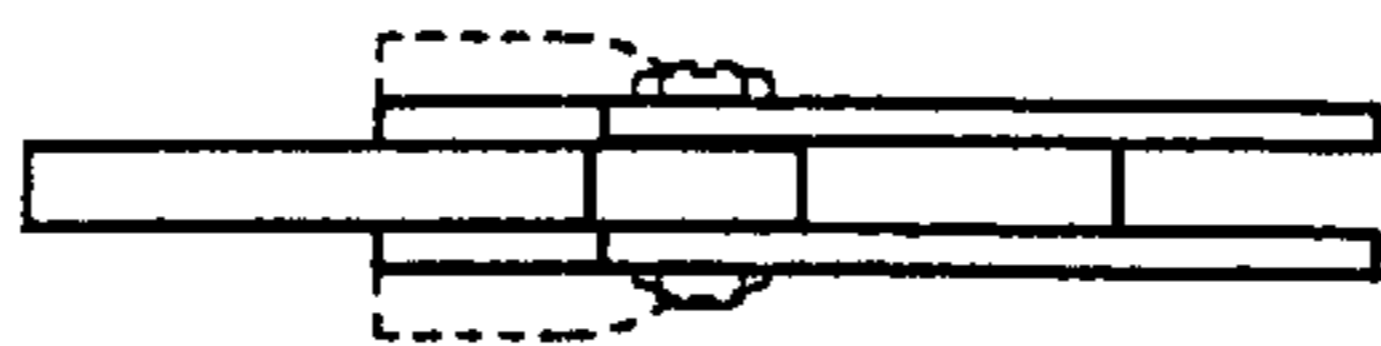


Fig.16

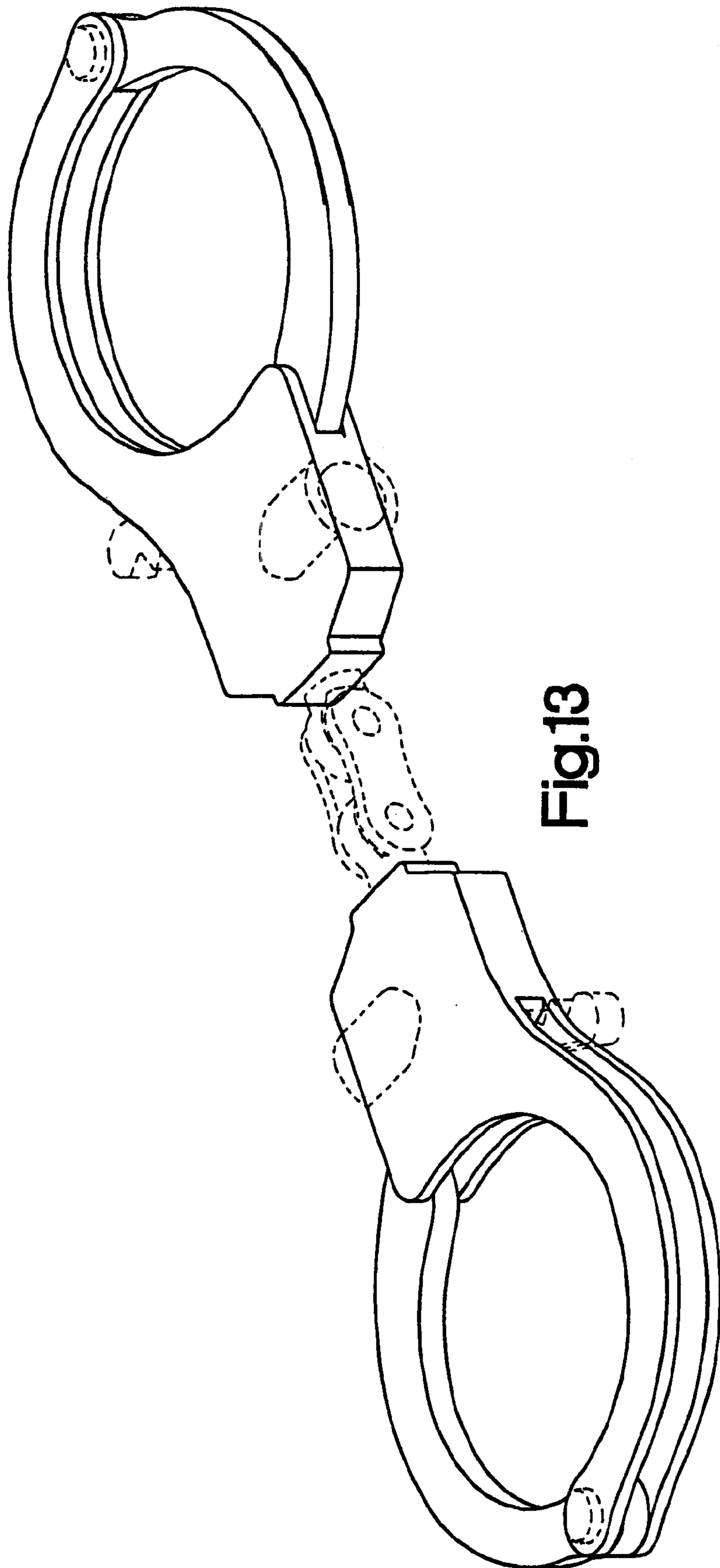


Fig.13