



US00D468983S

(12) **United States Design Patent**
Kondo et al.

(10) **Patent No.:** **US D468,983 S**
(45) **Date of Patent:** **** Jan. 21, 2003**

(54) **PORTABLE ELECTRIC JIGSAW**

FOREIGN PATENT DOCUMENTS

(75) Inventors: **Masaki Kondo**, Anjo (JP); **Hiroto Inayoshi**, Anjo (JP); **Shinsuke Okuda**, Anjo (JP)

JP 596329 3/1983
JP 975254 2/1997
JP 975254-1 10/1997

(73) Assignee: **Makita Corporation**, Aichi-ken (JP)

* cited by examiner

(**) Term: **14 Years**

Primary Examiner—Antoine Duval Davis
(74) *Attorney, Agent, or Firm*—Dennison, Schultz & Dougherty

(21) Appl. No.: **29/158,151**

(57) **CLAIM**

(22) Filed: **Apr. 1, 2002**

The ornamental design for a portable electric jigsaw, as shown and described.

(30) **Foreign Application Priority Data**

Oct. 3, 2001 (JP) 2001-032949

DESCRIPTION

(51) **LOC (7) Cl.** **08-03**

FIG. 1 is a perspective view of a portable electric jigsaw showing our new design.

(52) **U.S. Cl.** **D8/64**

FIG. 2 is a front elevation view thereof;

(58) **Field of Search** D8/64; 30/392-394;
83/699.12, 776; 74/49, 50

FIG. 3 is a rear elevation view thereof;

FIG. 4 is a left side elevation view thereof;

FIG. 5 is a right side elevation view thereof;

FIG. 6 is a top plan view thereof; and,

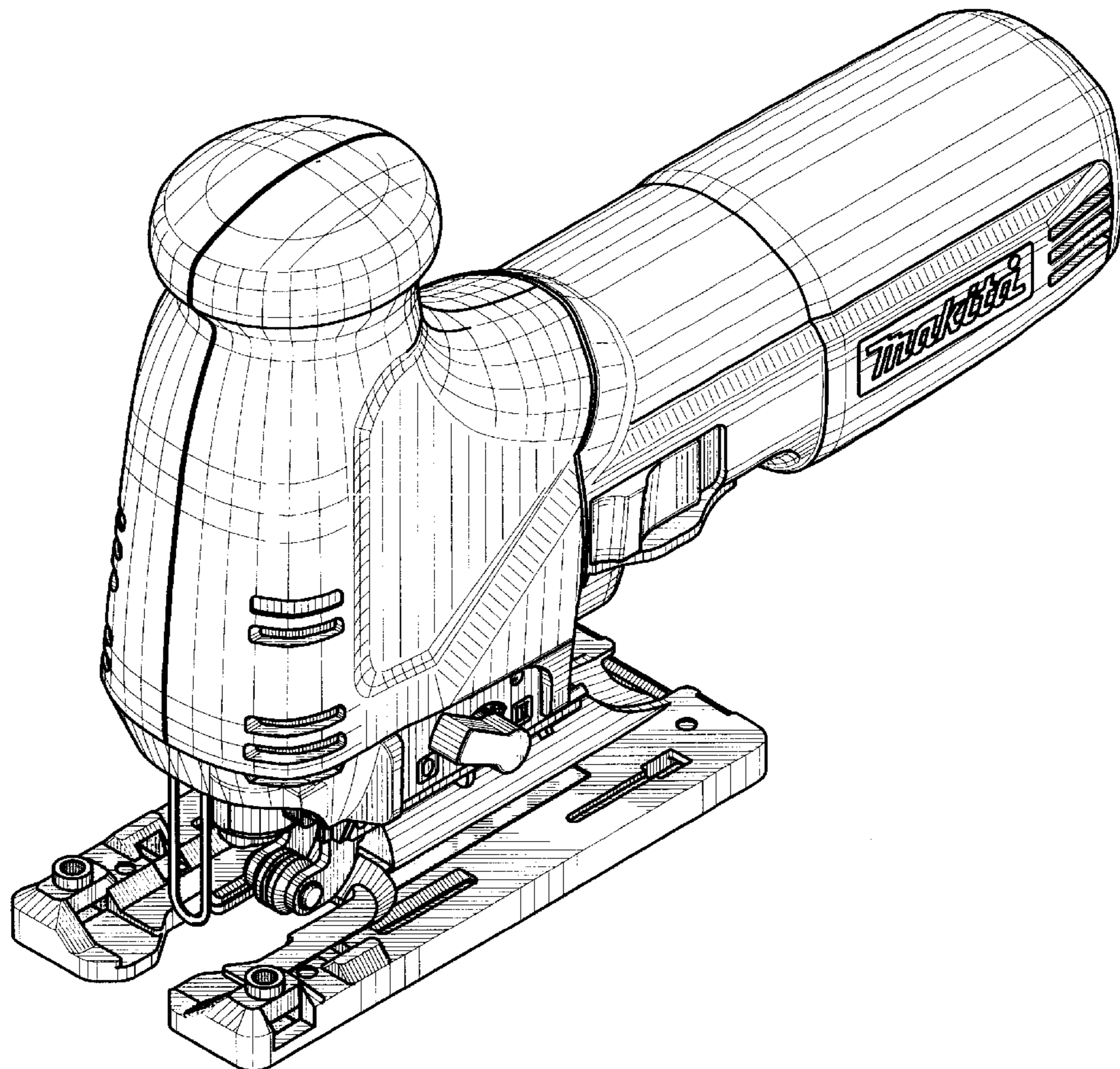
FIG. 7 is a bottom view thereof.

(56) **References Cited**

U.S. PATENT DOCUMENTS

D426,124 S * 6/2000 Kassalen et al. D8/64
6,370,781 B1 * 4/2002 Sasaki 30/392

1 Claim, 6 Drawing Sheets



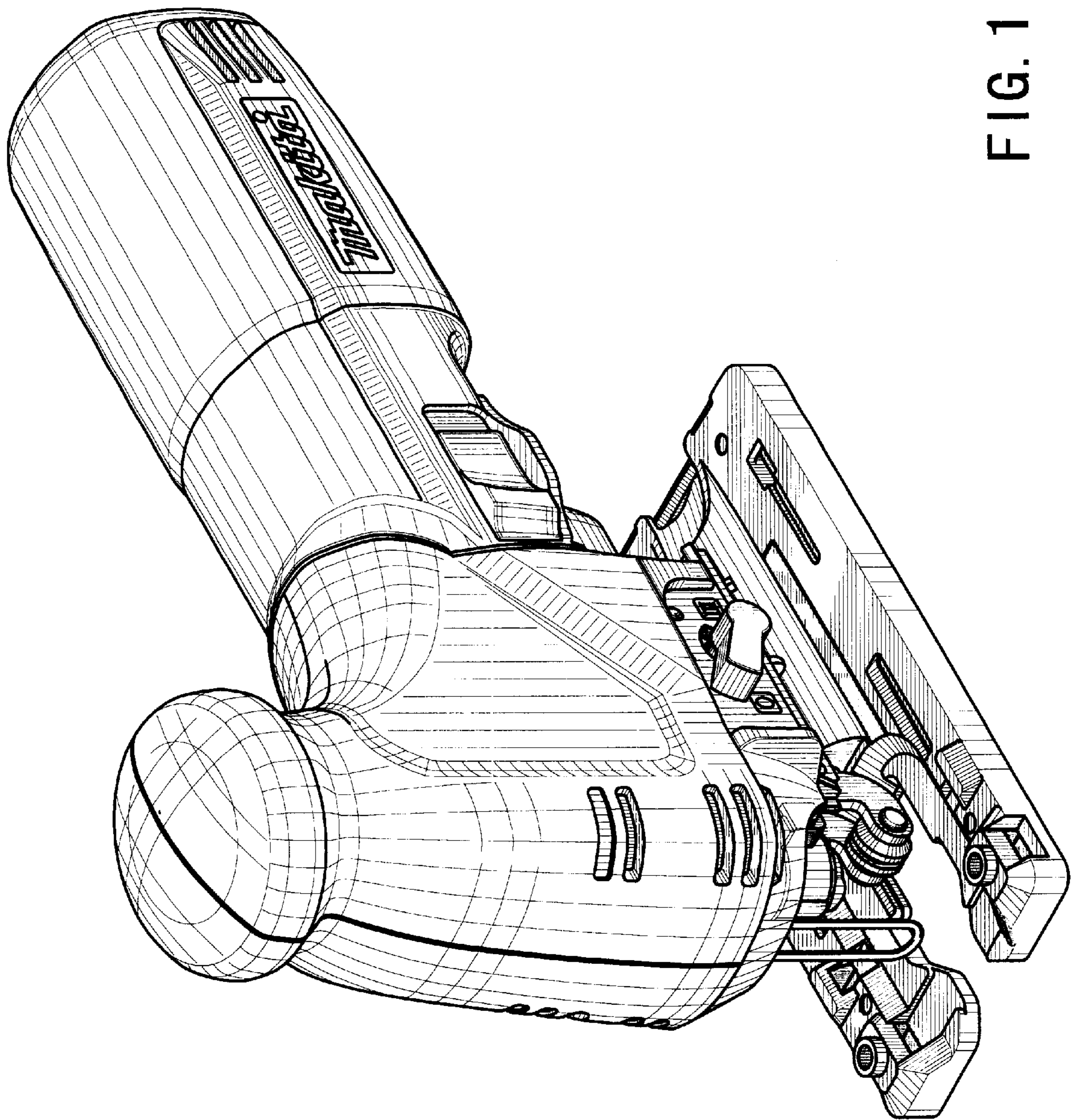


FIG. 1

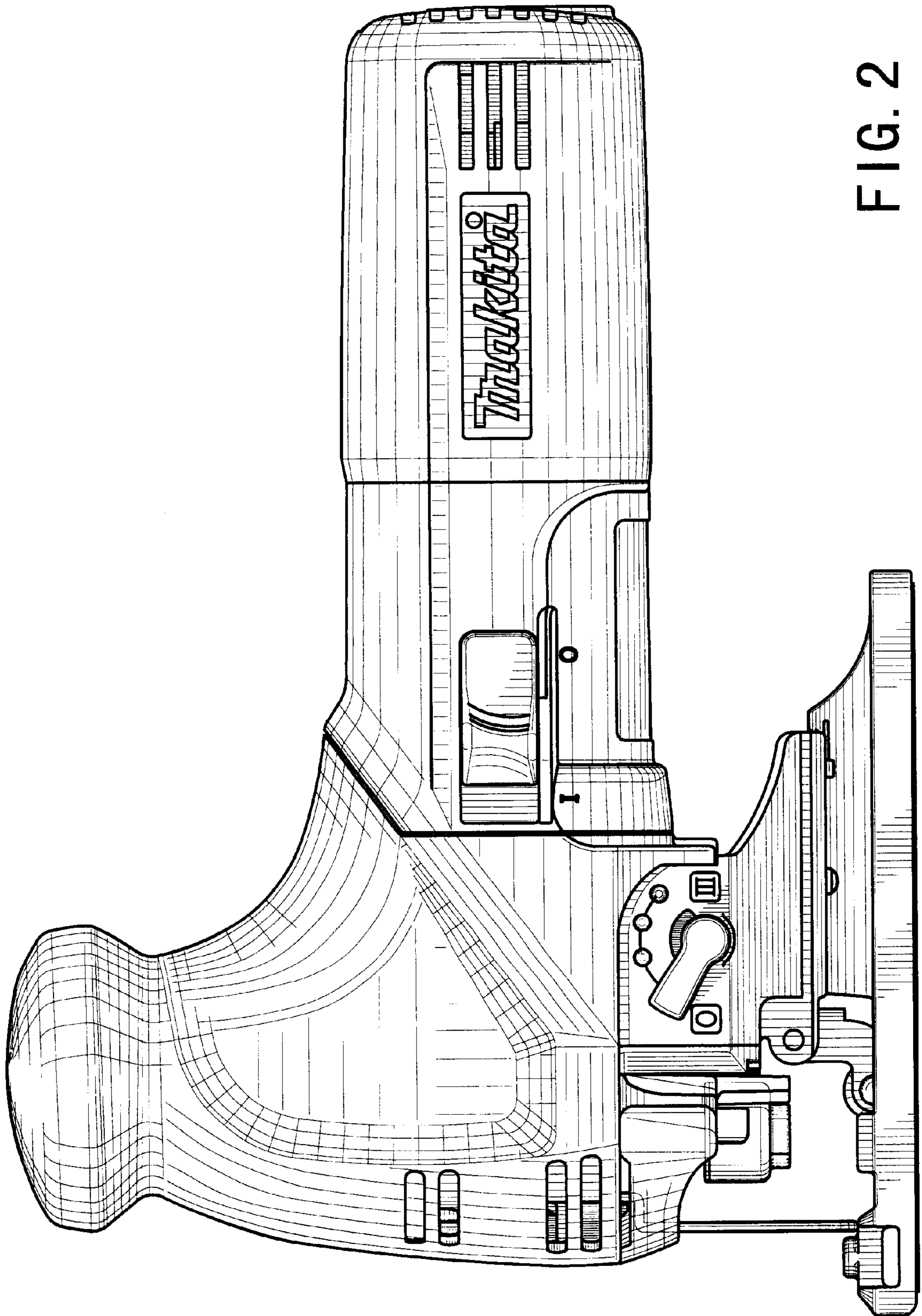


FIG. 2

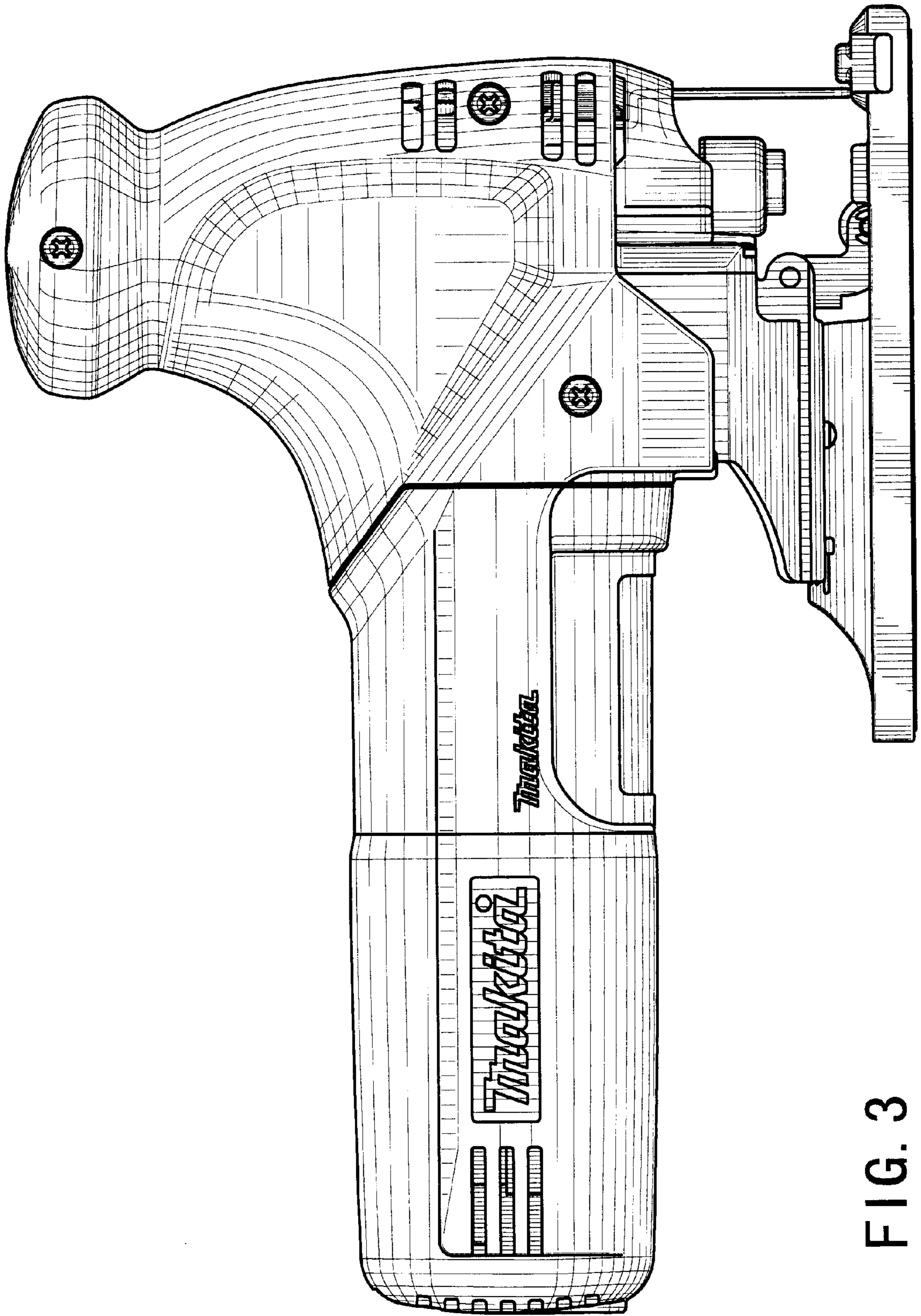


FIG. 3

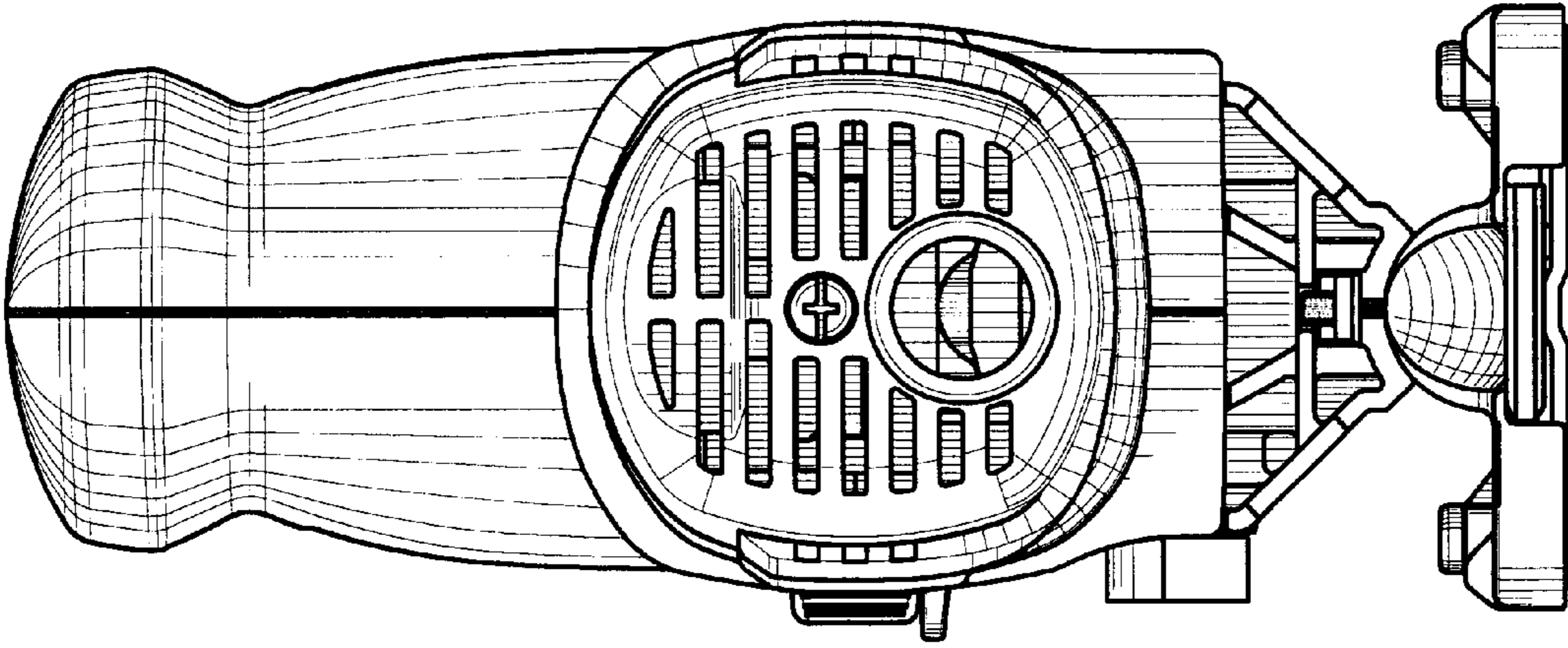


FIG. 4

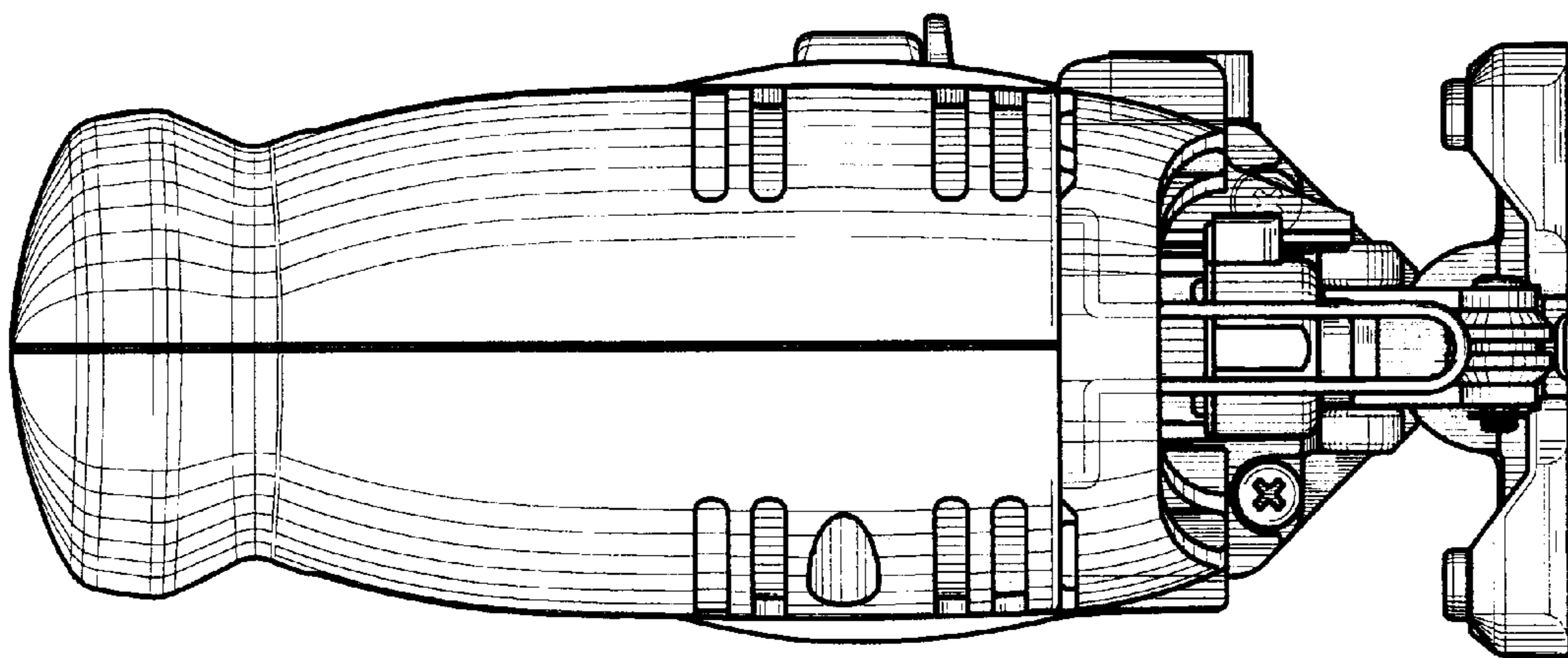


FIG. 5

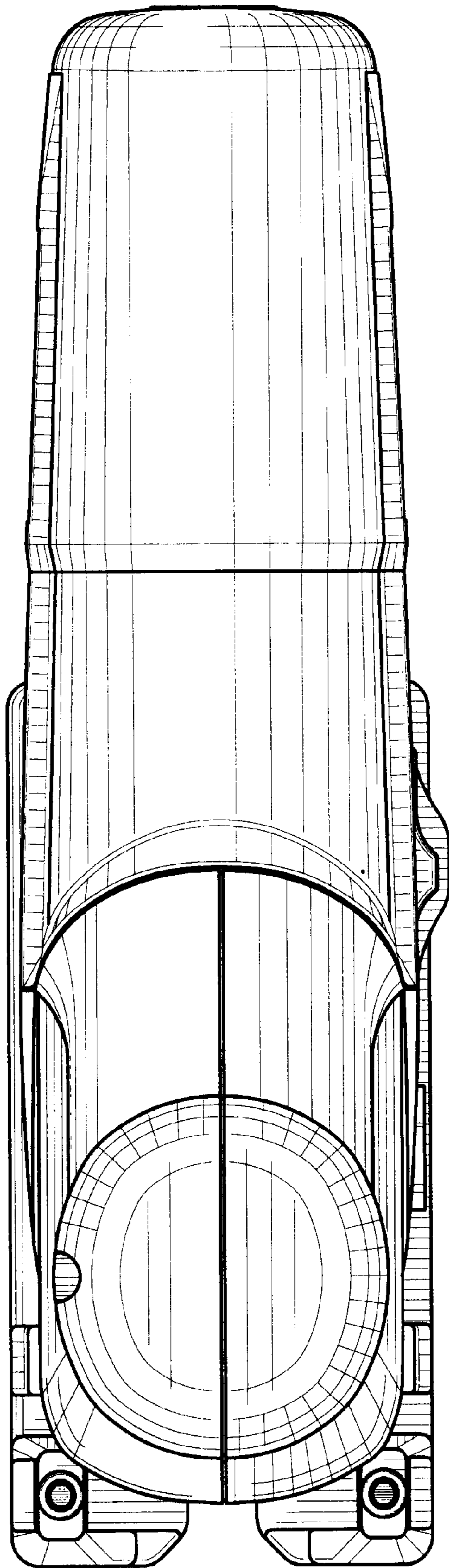


FIG. 6

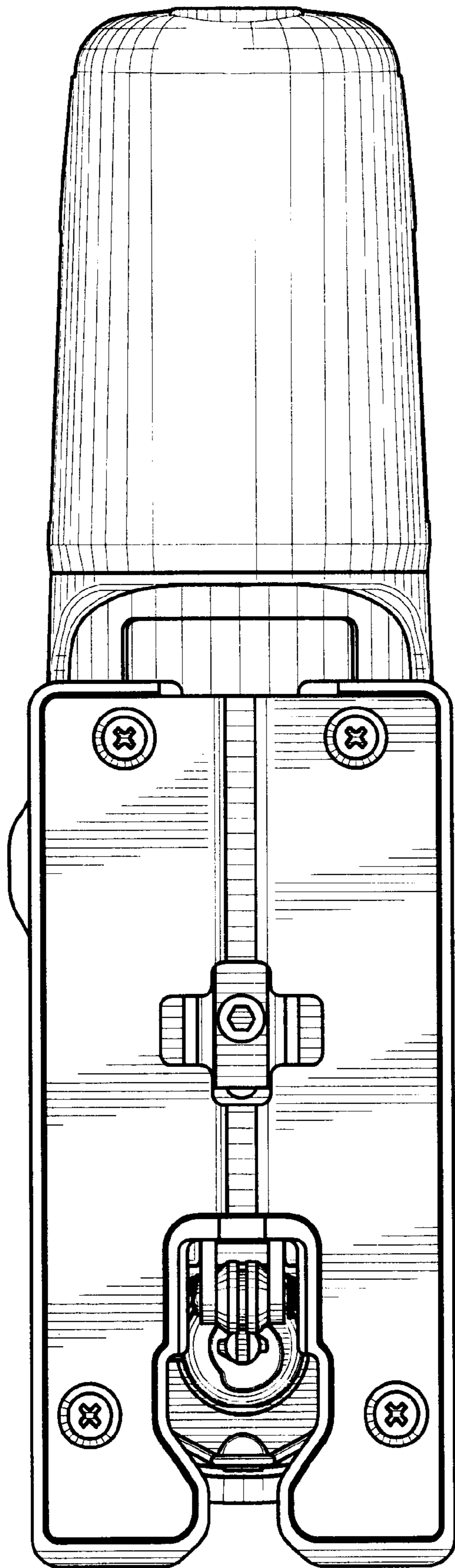


FIG. 7