



US00D468973S

(12) **United States Design Patent**
Sun

(10) **Patent No.:** **US D468,973 S**

(45) **Date of Patent:** **** Jan. 21, 2003**

(54) **KNIFE**

(75) **Inventor:** **Lim Chan Sun**, Hong Kong (HK)

(73) **Assignee:** **Technical Development (HK) Limited**,
Hong Kong (HK)

(**) **Term:** **14 Years**

(21) **Appl. No.:** **29/160,764**

(22) **Filed:** **May 16, 2002**

(51) **LOC (7) Cl.** **07-03**

(52) **U.S. Cl.** **D7/650**

(58) **Field of Search** D7/642, 646, 649,
D7/650, 652; 30/142, 147-149, 342, 345,
346, 348, 349, 351, 353, 355

(56) **References Cited**

U.S. PATENT DOCUMENTS

D162,777 S * 4/1951 Berger et al. D7/650
2,803,876 A * 8/1957 Nelson 30/115

OTHER PUBLICATIONS

Tableware International, Jun. 2001, p. 25; Boker kitchen
knives bottom right of page, the first three.*

Tableware International, Jul. 2001, p. 15; Grunwerg cheese
knife top of page.*

Tableware International, Aug. 2001, p. 80; Grunwerg—
Sergeant Russell Cheese knife, right side of page and
Wusthof cheese knife middle of page.*

* cited by examiner

Primary Examiner—Caron D. Veynar

(74) *Attorney, Agent, or Firm*—Jackson Walker L. L. P.

(57) **CLAIM**

The ornamental design of a knife, as shown and described.

DESCRIPTION

FIG. 1 is a right side, top perspective view showing the new
design.

FIG. 2 is a top plan view thereof.

FIG. 3 is a bottom plan view thereof.

FIG. 4 is a front elevation view thereof.

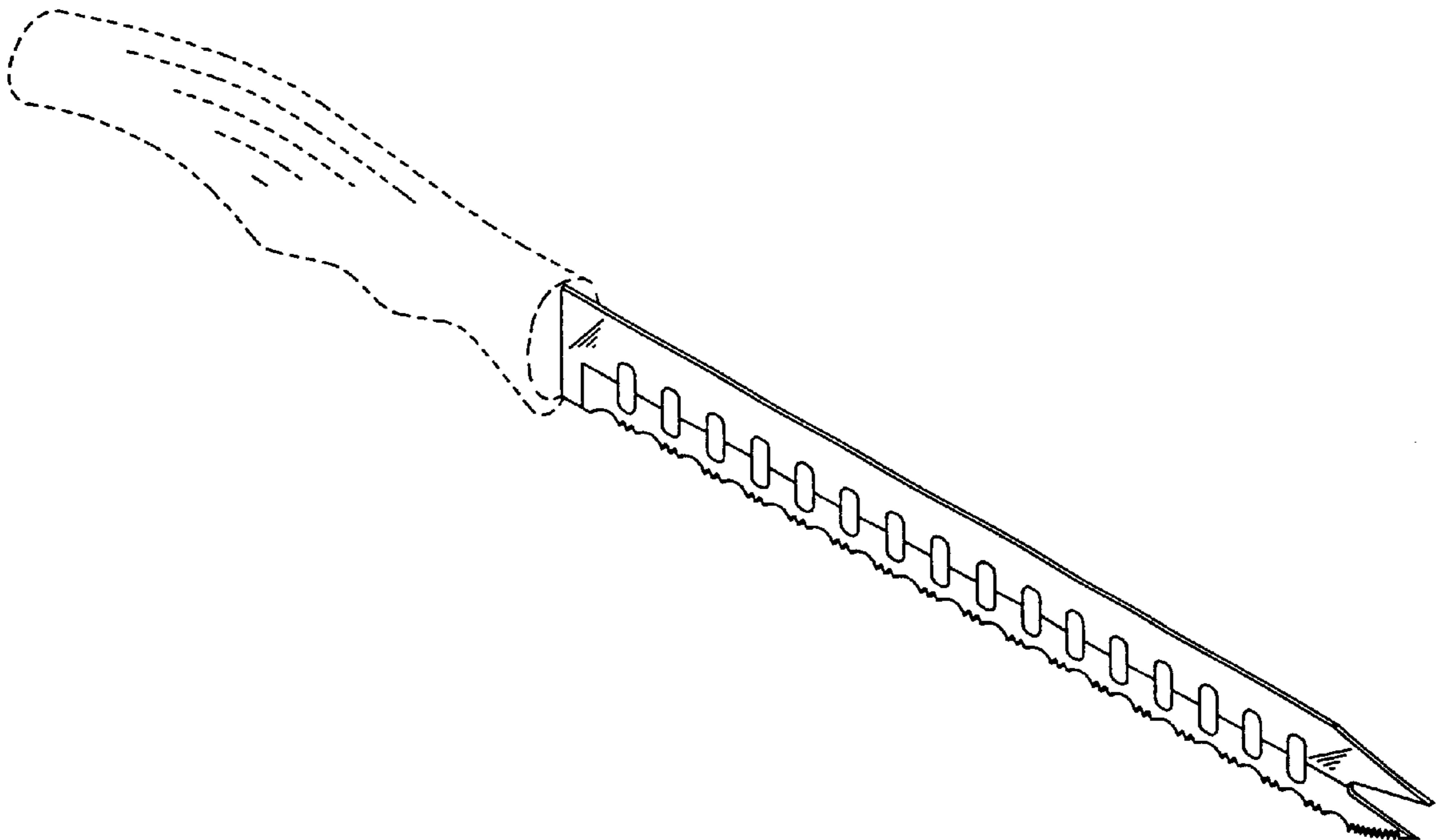
FIG. 5 is a rear elevation view thereof.

FIG. 6 is a right side elevation view thereof; and,

FIG. 7 is a left side elevation view thereof.

The dotted lines shown in FIGS. 1-7 represent environmen-
tal subject matter and form no part of the claimed design.

1 Claim, 7 Drawing Sheets



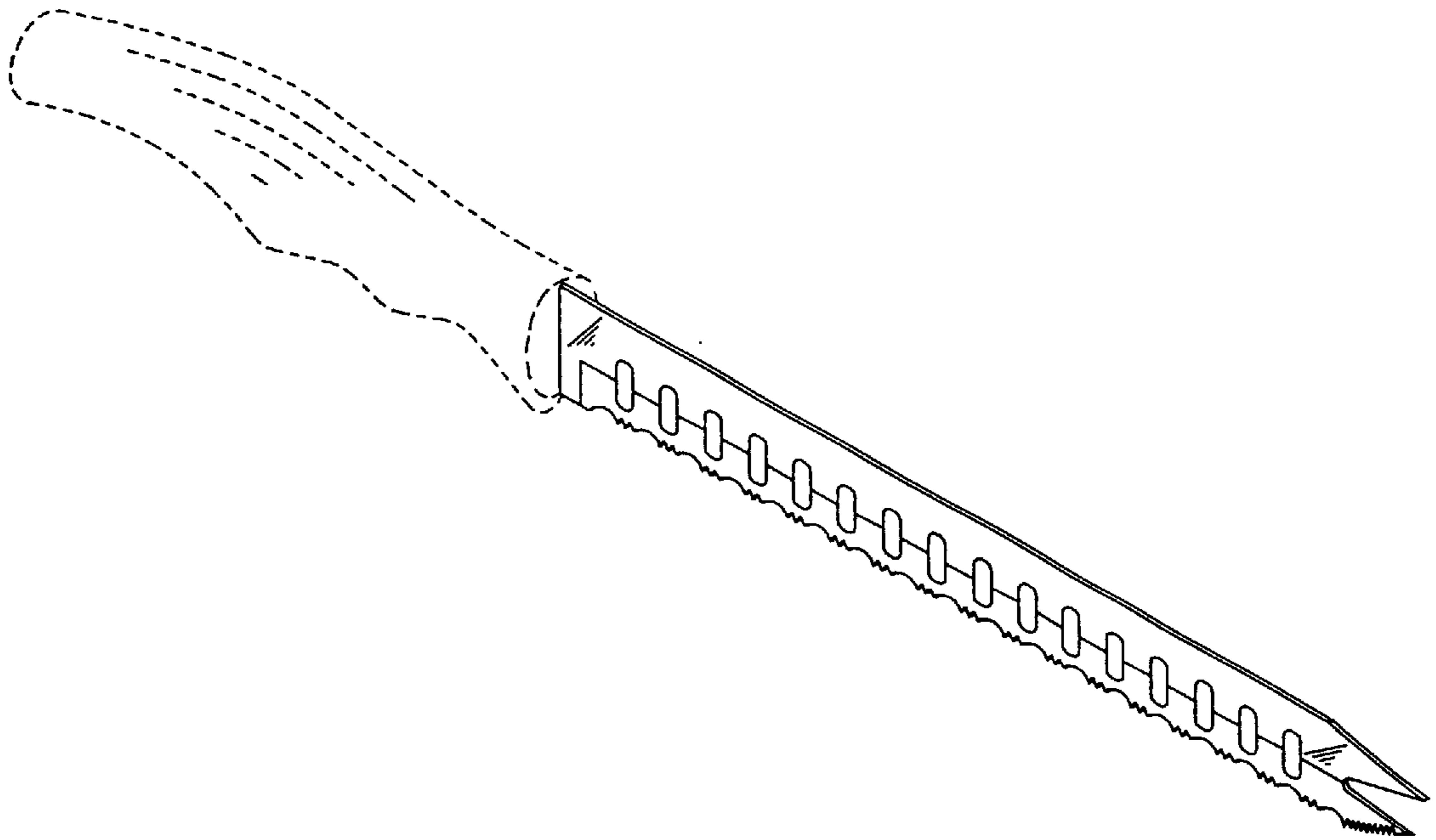


FIG.1

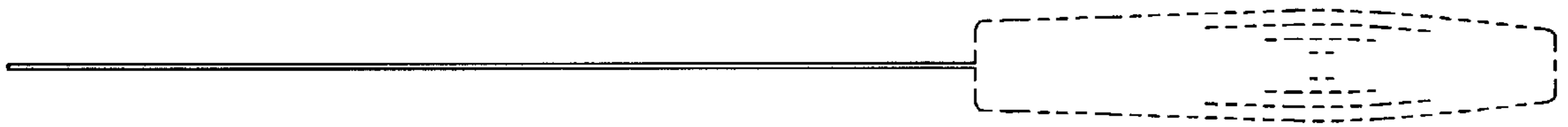


FIG.2



FIG.3

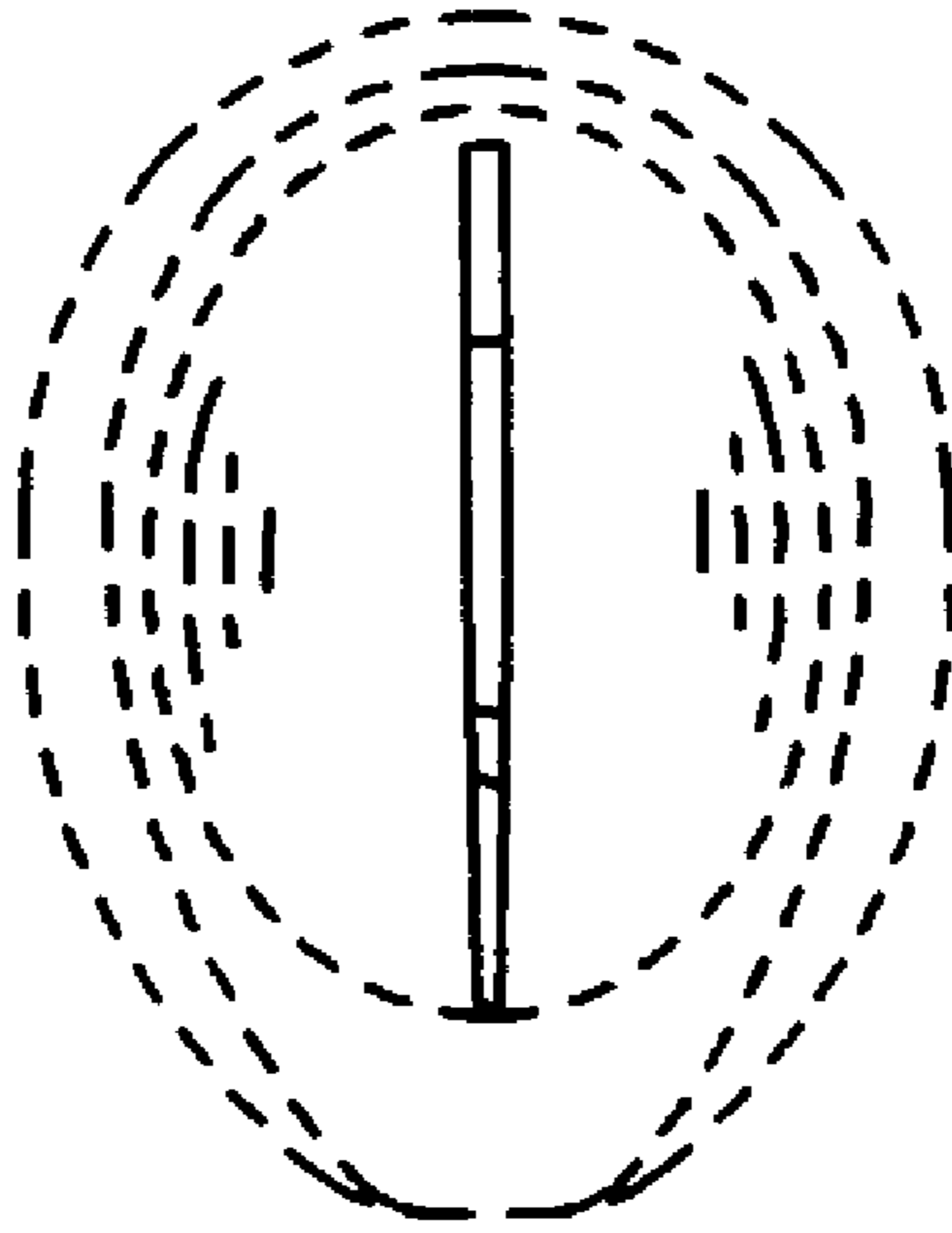


FIG. 4

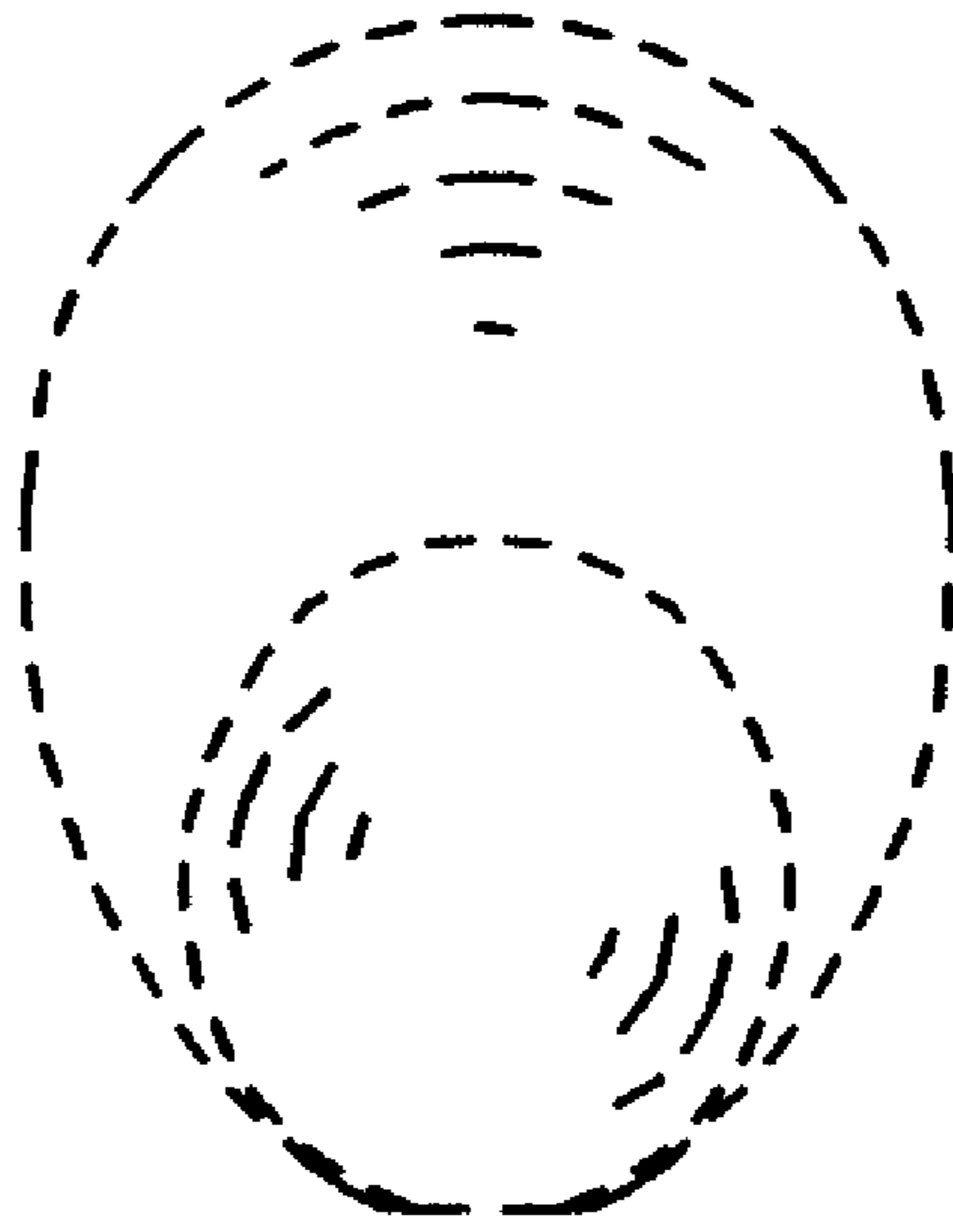


FIG.5

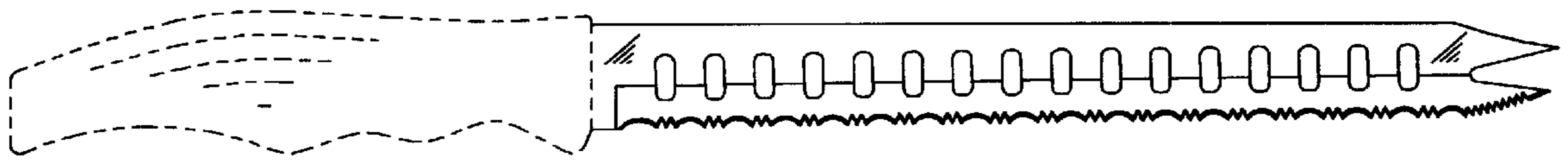


FIG.6

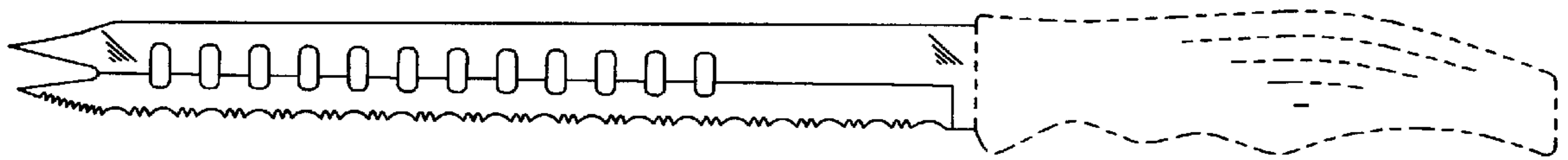


FIG.7