



US00D468968S

(12) **United States Design Patent**
Lipson

(10) **Patent No.:** **US D468,968 S**

(45) **Date of Patent:** **** Jan. 21, 2003**

(54) **DRINK CONTAINER WITH INTEGRAL STRAW**

(75) Inventor: **Erik Lipson**, Malvern, PA (US)

(73) Assignee: **Fun-Time International, Inc.**, Philadelphia, PA (US)

(**) Term: **14 Years**

(21) Appl. No.: **29/160,504**

(22) Filed: **May 13, 2002**

(51) **LOC (7) Cl.** **07-01**

(52) **U.S. Cl.** **D7/507; D7/510; D7/511**

(58) **Field of Search** D7/300.2, 510, D7/511, 509, 507, 514, 512, 515, 533, 536, 532, 535; 222/78, 382, 402.1, 2; 220/703, 710, 705; 239/33

(56) **References Cited**

U.S. PATENT DOCUMENTS

D94,000 S	*	12/1934	Sebring	D7/536
D96,566 S	*	8/1935	Straus	D7/532
2,355,010 A	*	8/1944	Pera	220/710
2,747,387 A	*	5/1956	Sweem	215/382
D186,535 S	*	11/1959	Saffer	D7/535
D242,416 S	*	11/1976	Achenbach	D7/532
D243,816 S	*	3/1977	Achenbach	D7/532
D285,035 S	*	8/1986	Petrsek	D7/536
D292,463 S	*	10/1987	Petrsek	D7/515
D292,464 S	*	10/1987	Petrsek	D7/536
D330,993 S	*	11/1992	Robbins, III	D7/510
D353,972 S	*	1/1995	Robling et al.	D7/510
D359,196 S	*	6/1995	Nichols	D7/570
D361,244 S	*	8/1995	Thompson	D7/515

D370,388 S	*	6/1996	Cusick et al.	D7/512
D389,365 S	*	1/1998	Lipson	D7/300.2
D407,946 S	*	4/1999	Brewer et al.	D7/510
D408,220 S	*	4/1999	Chomik	D7/510
D419,360 S	*	1/2000	Lipson	D7/300.2
D429,957 S	*	8/2000	Lipson	D7/507
D431,417 S	*	10/2000	Lipson	D7/507
D442,436 S	*	5/2001	Kleckauskas et al.	D7/511

* cited by examiner

Primary Examiner—M. N. Pandozzi

(74) *Attorney, Agent, or Firm*—Gifford, Krass, Groh, Sprinkle, Anderson & Citkowski, P.C.

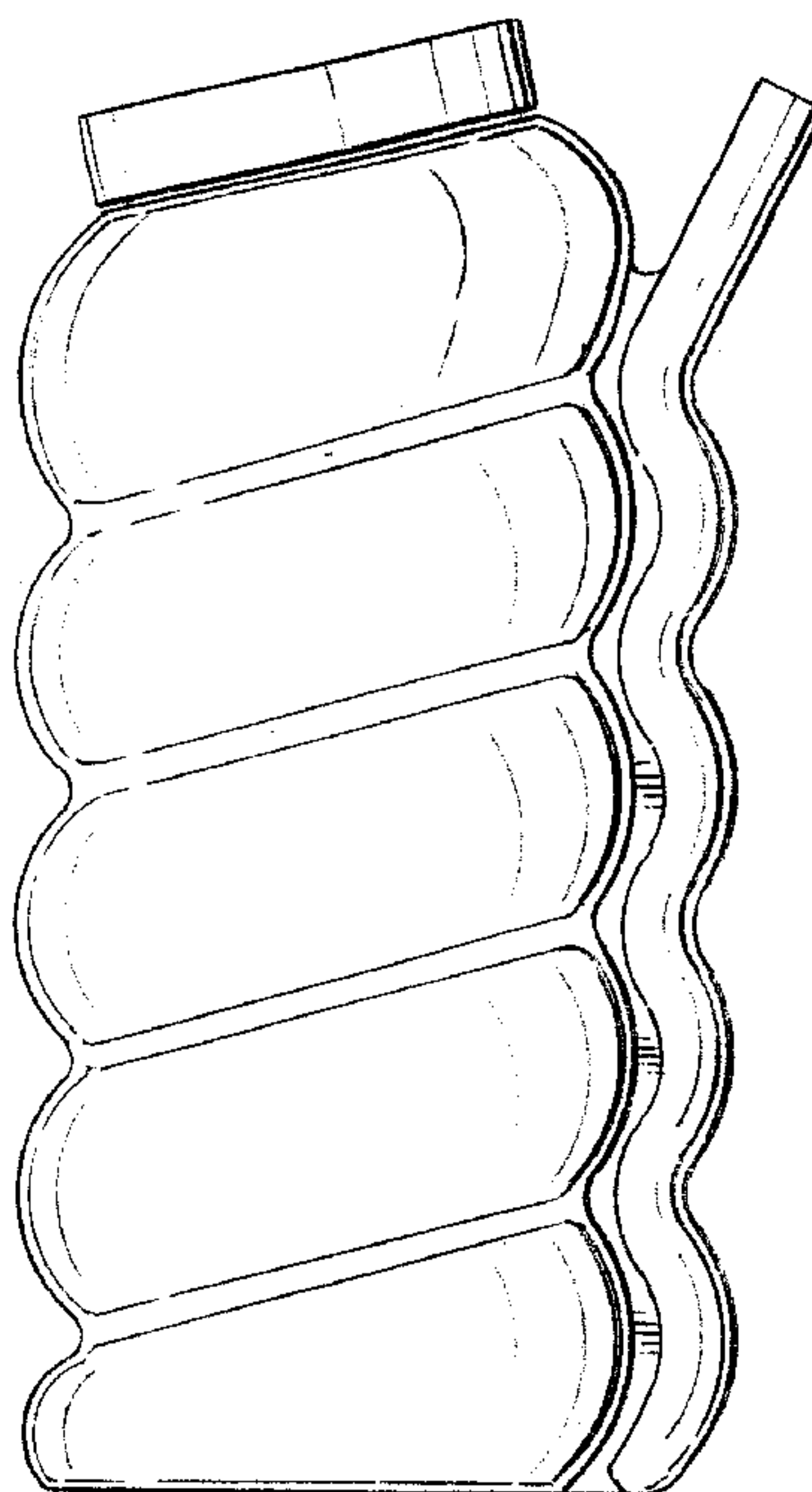
(57) **CLAIM**

I claim the ornamental design for a drink container with integral straw, as shown.

DESCRIPTION

FIG. 1 is a front view of a first embodiment of a drink container with integral straw according to my new design; FIG. 2 is a left side view of the container of FIG. 1; FIG. 3 is a top view of the container of FIG. 1; FIG. 4 is a rear view of the container of FIG. 1; FIG. 5 is a left side view of the container of FIG. 1; FIG. 6 is a bottom view of the container of FIG. 1; FIG. 7 is a front view of a second embodiment of a drink container with integral straw according to my new design; FIG. 8 is a left side view of the container of FIG. 7; FIG. 9 is a top view of the container of FIG. 7; FIG. 10 is a rear view of the container of FIG. 7; FIG. 11 is a right side view of the container of FIG. 7; and, FIG. 12 is a bottom view of the container of FIG. 7.

1 Claim, 4 Drawing Sheets



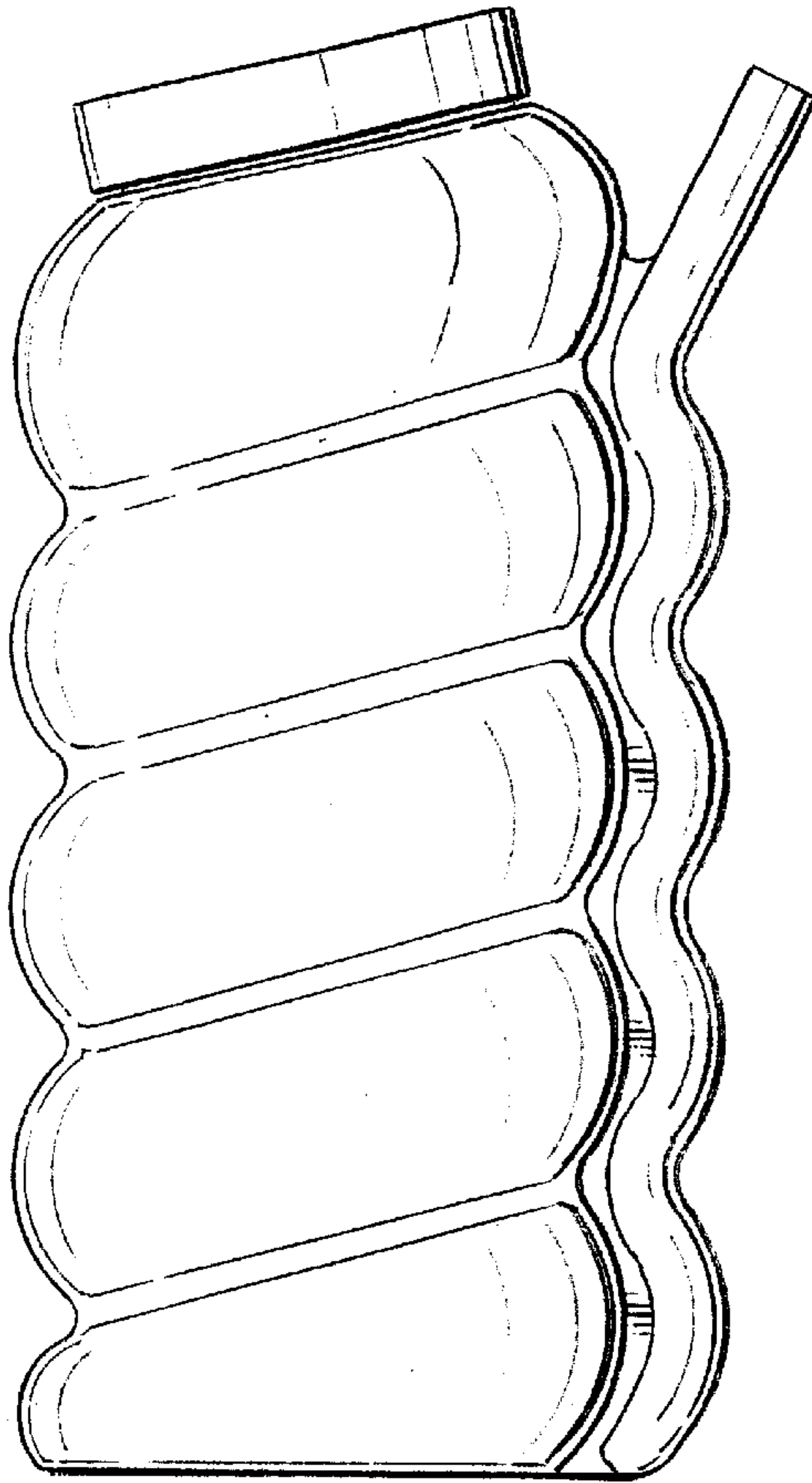


FIG - 1

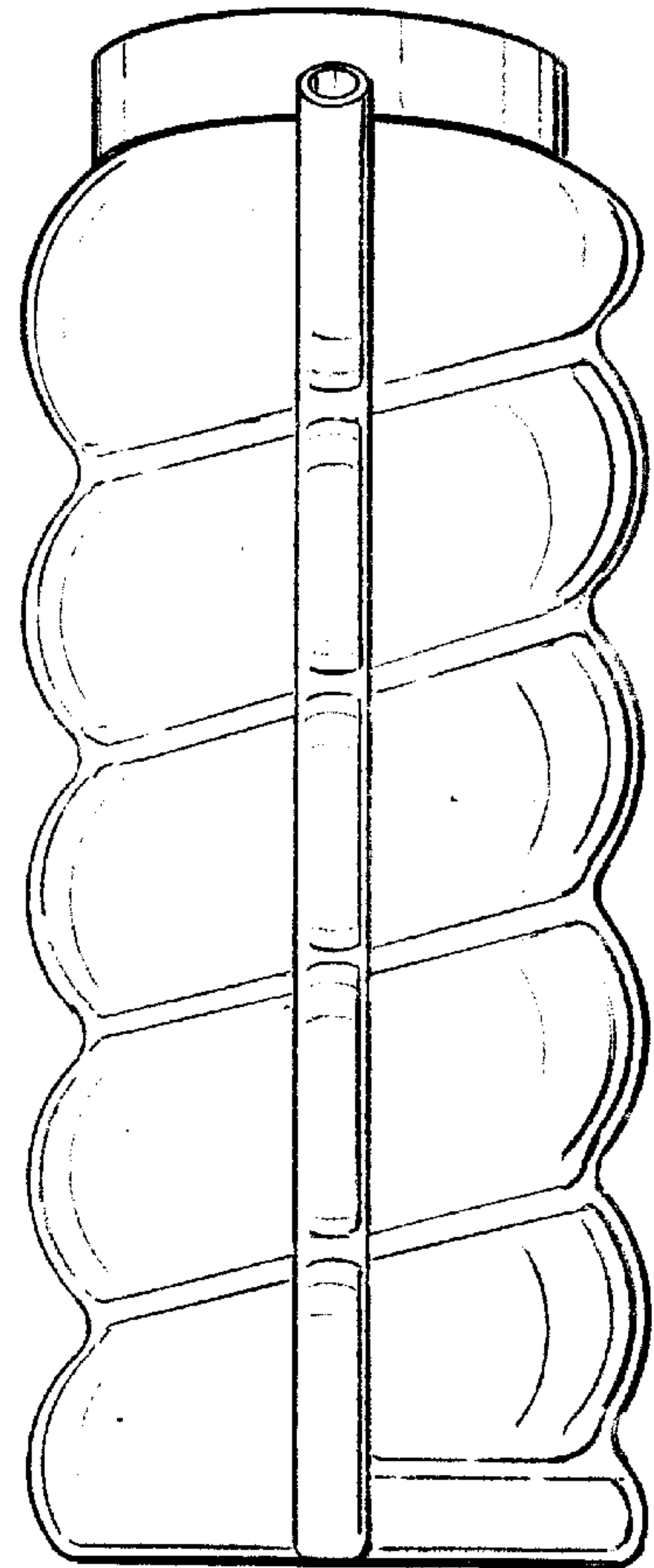


FIG - 2

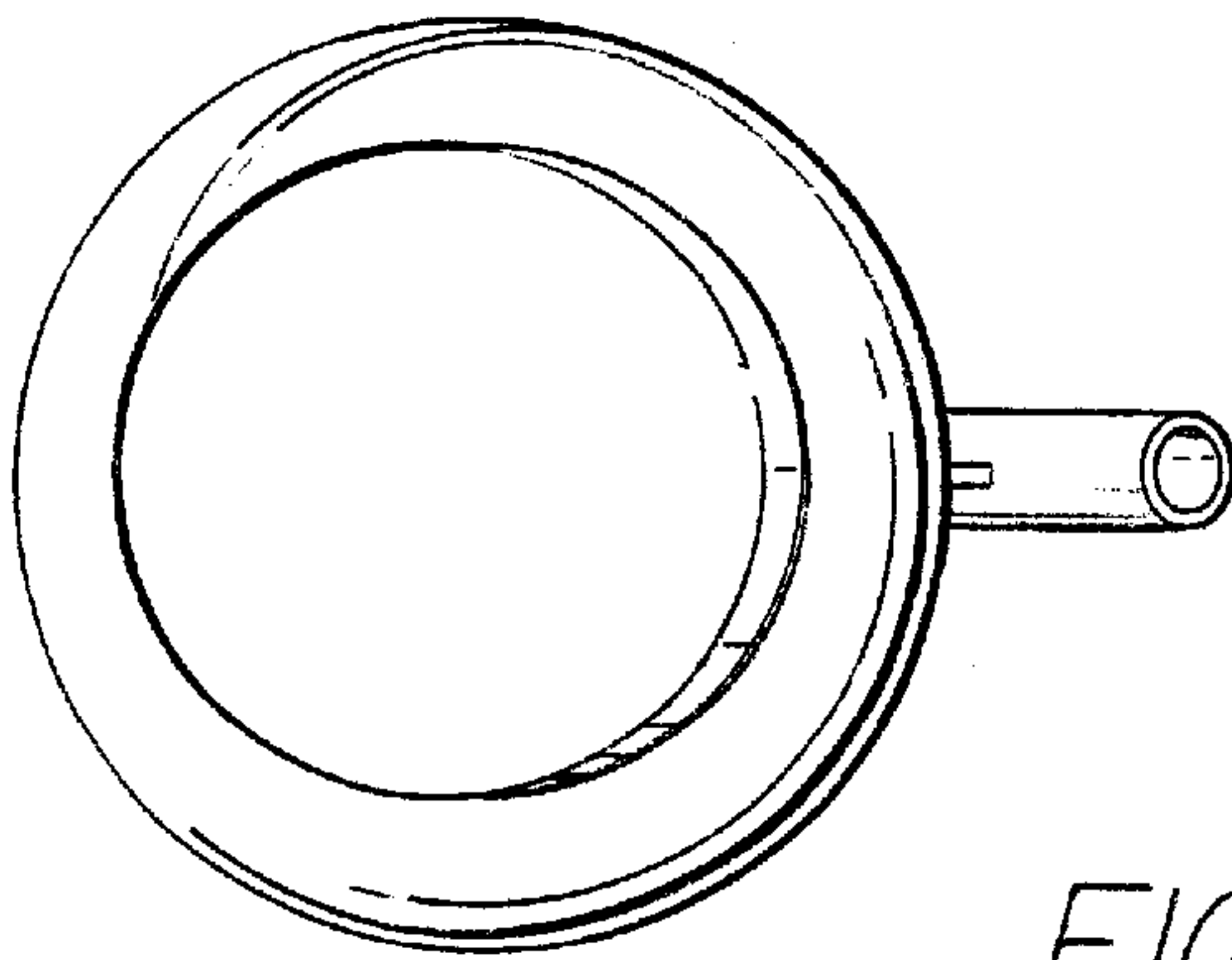


FIG - 3

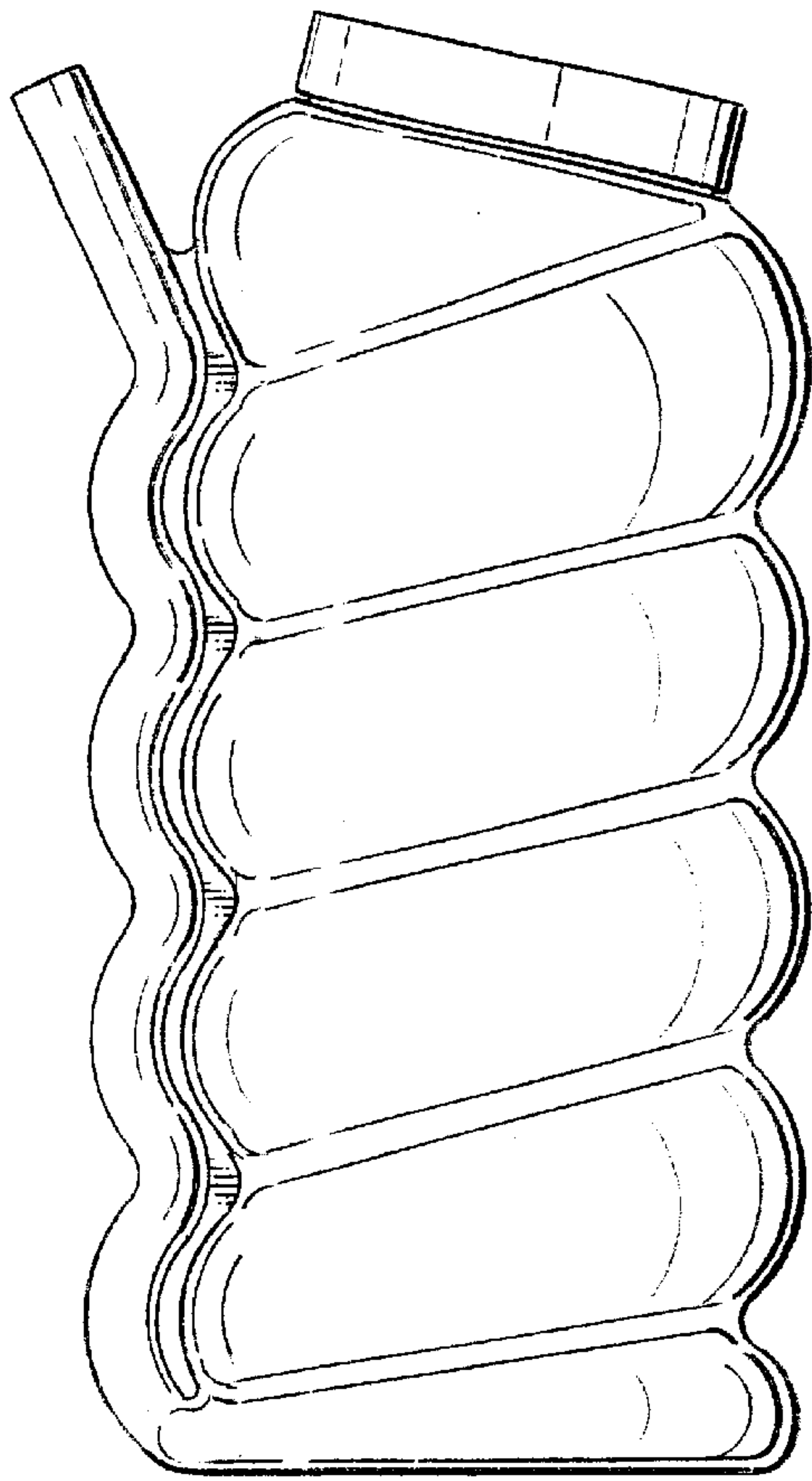


FIG - 4

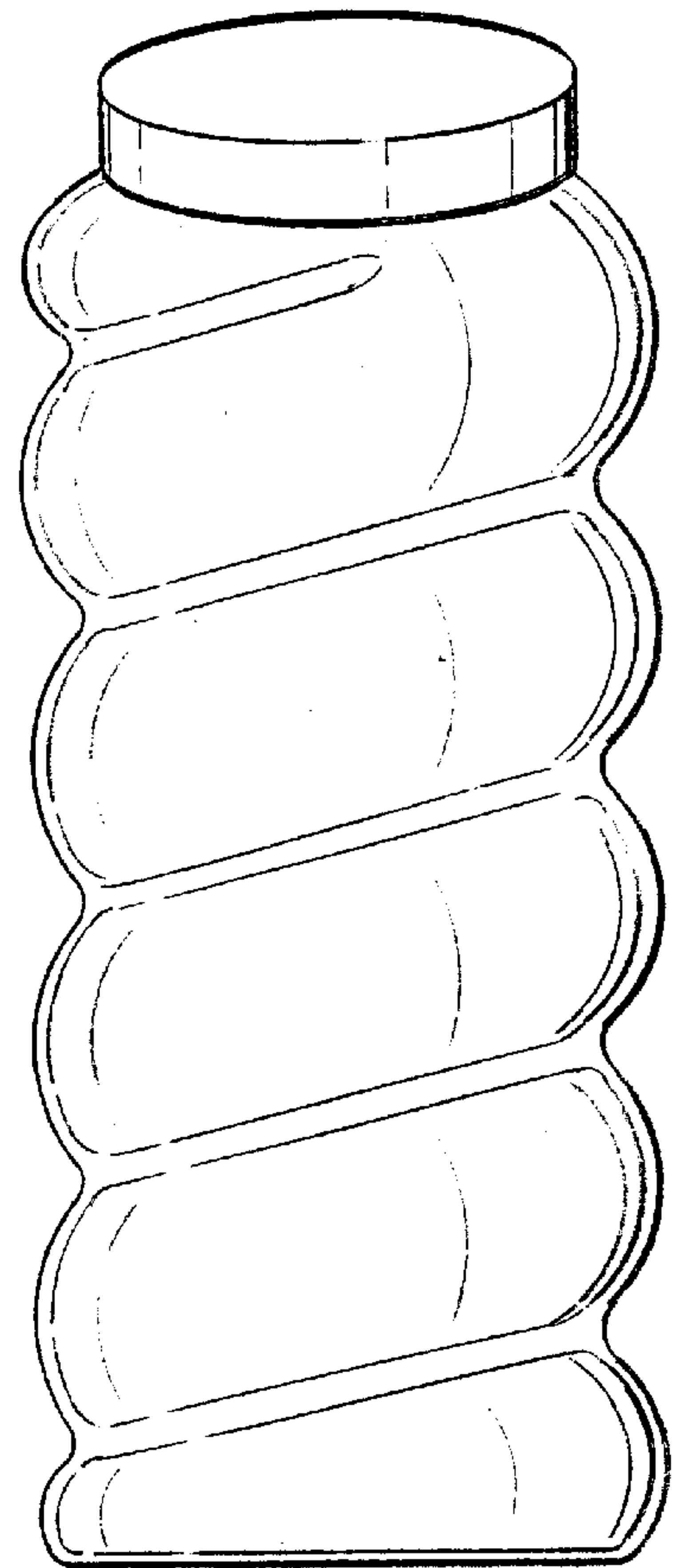


FIG - 5

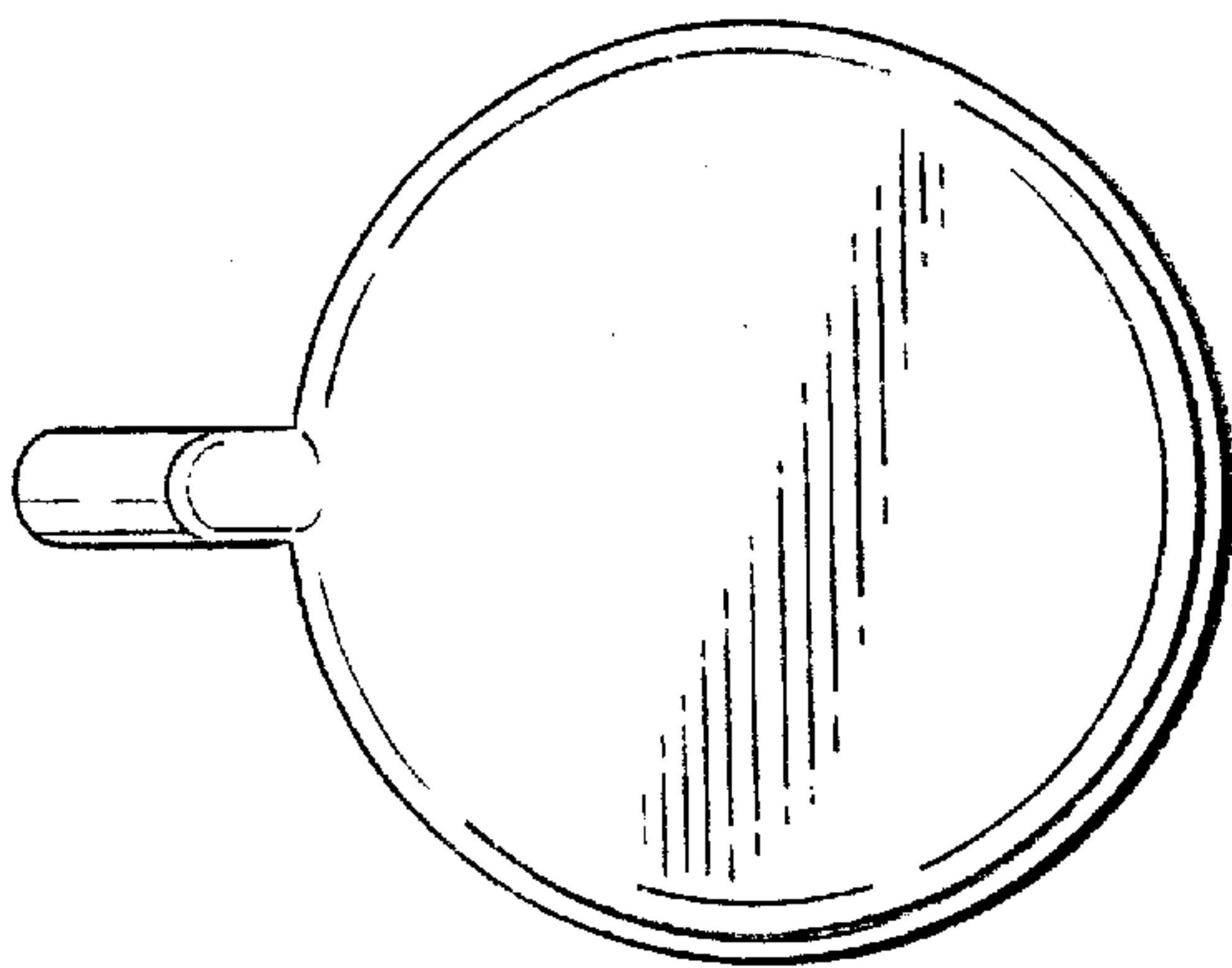


FIG - 6

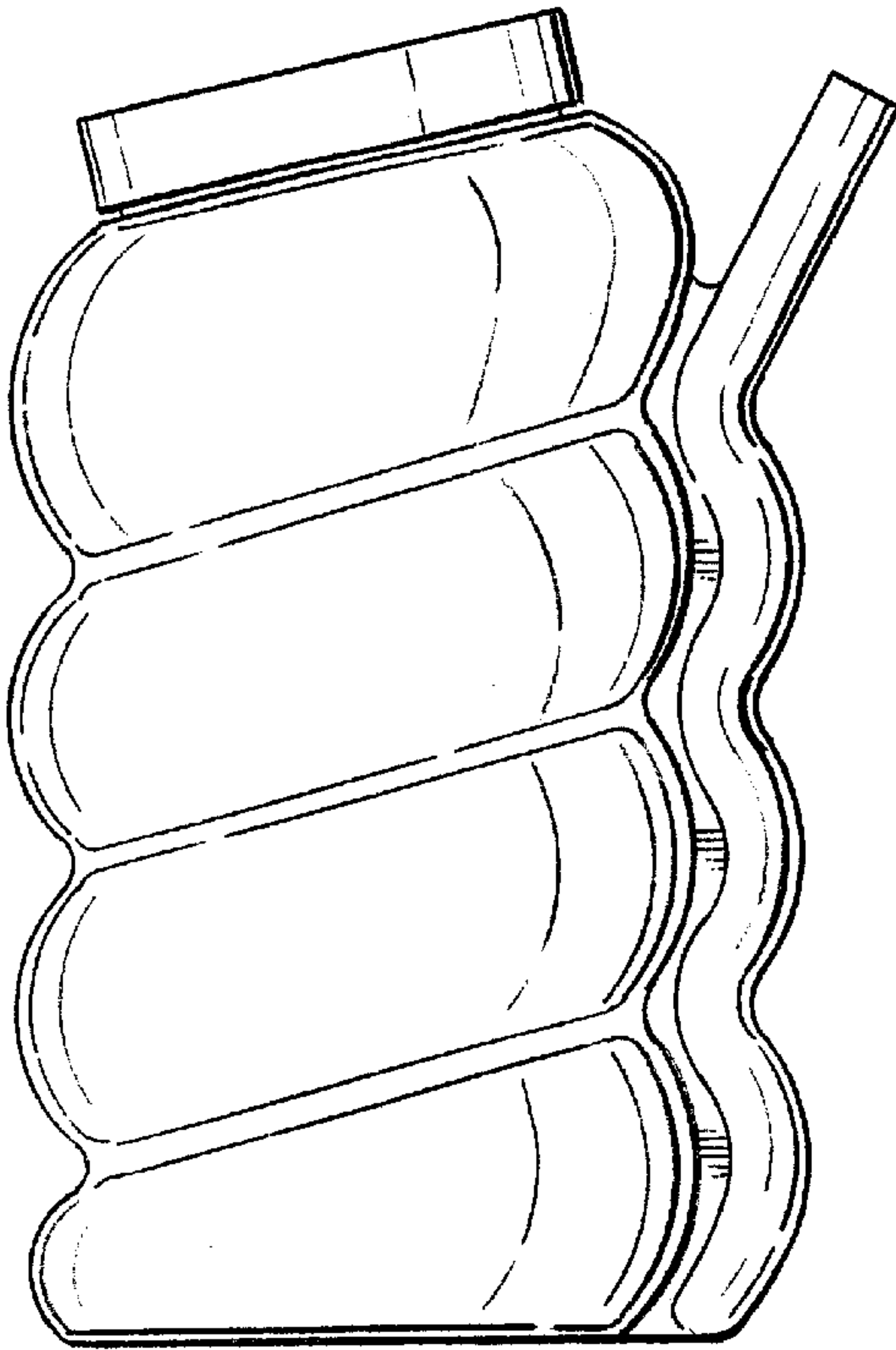


FIG - 7

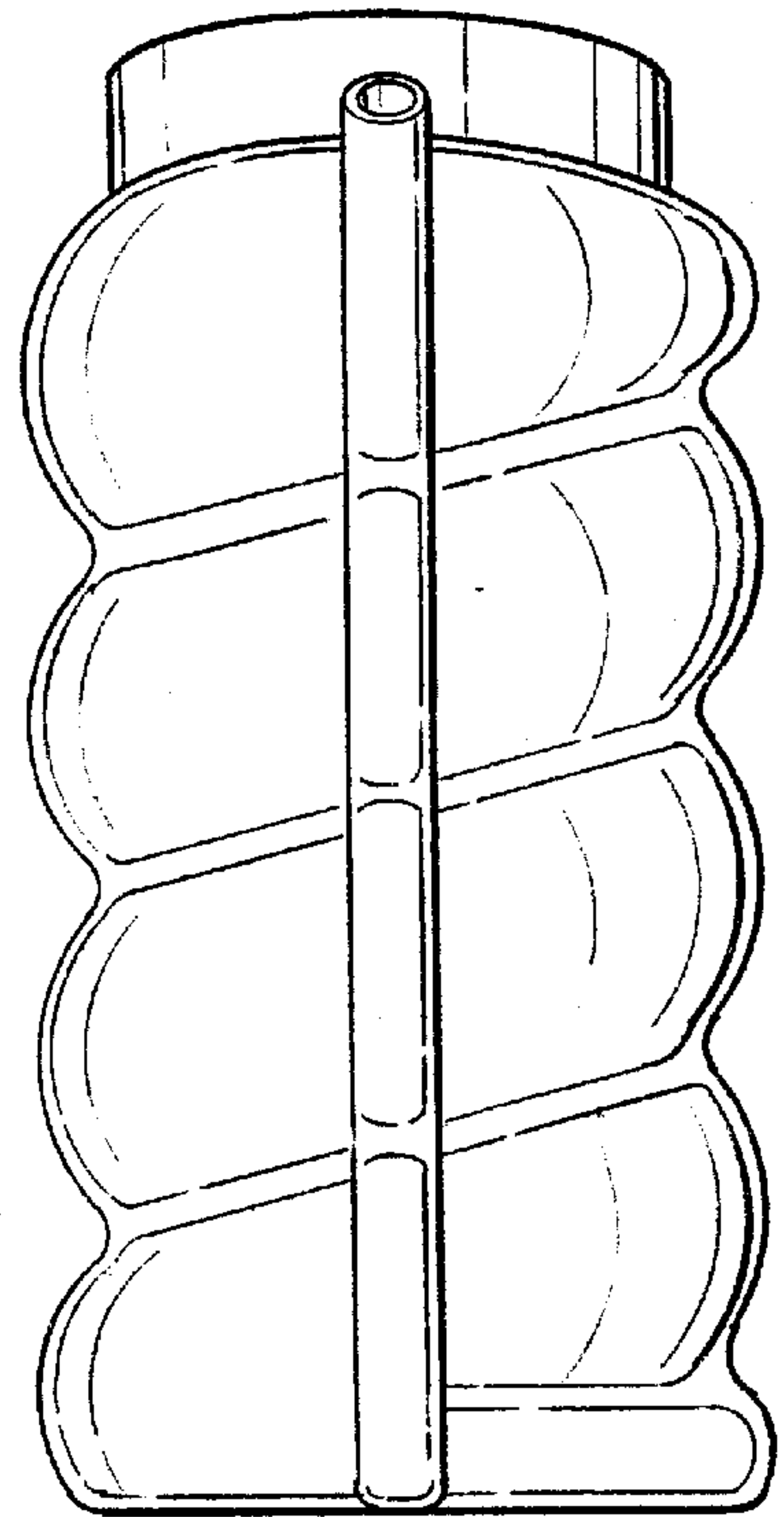


FIG - 8

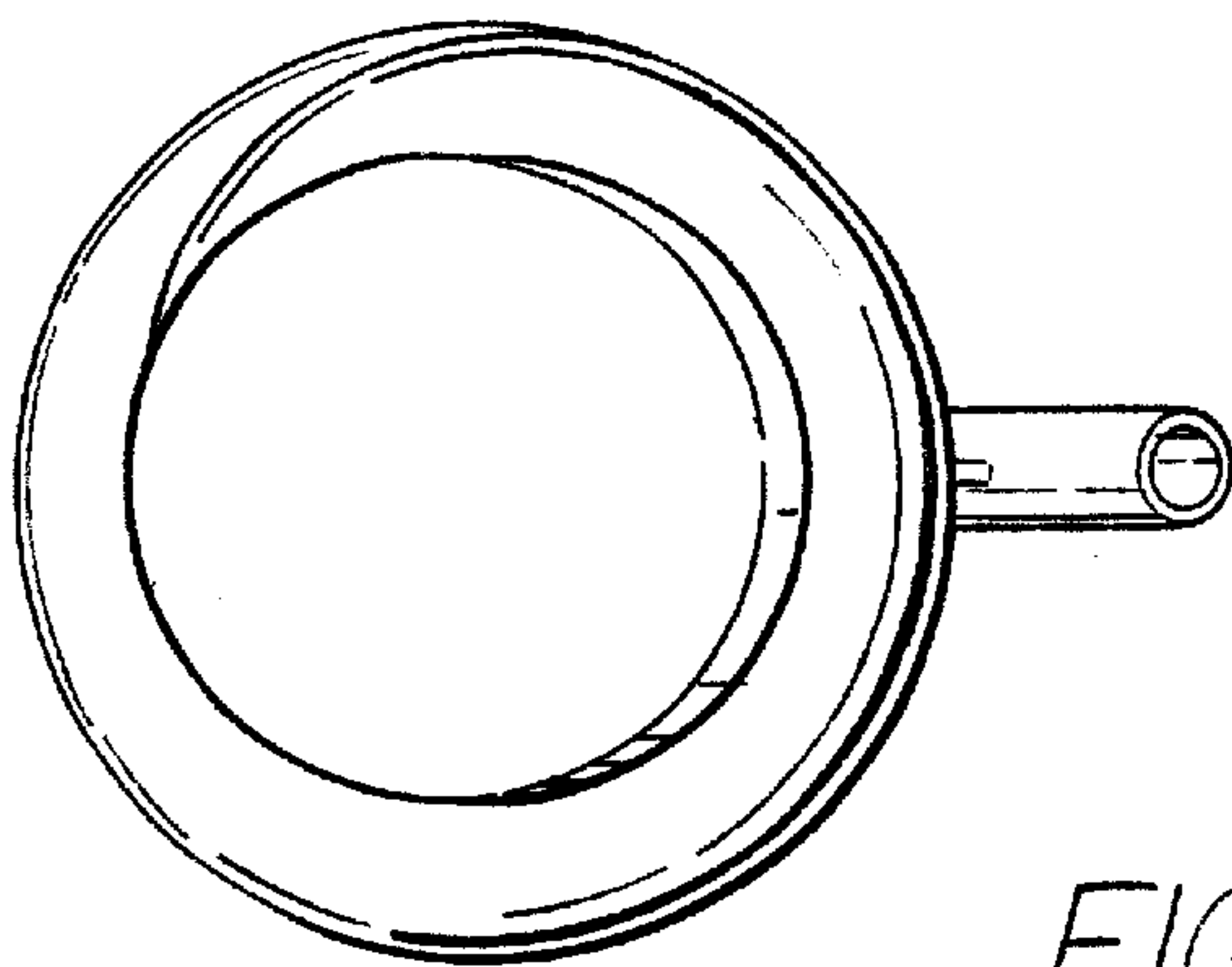


FIG - 9

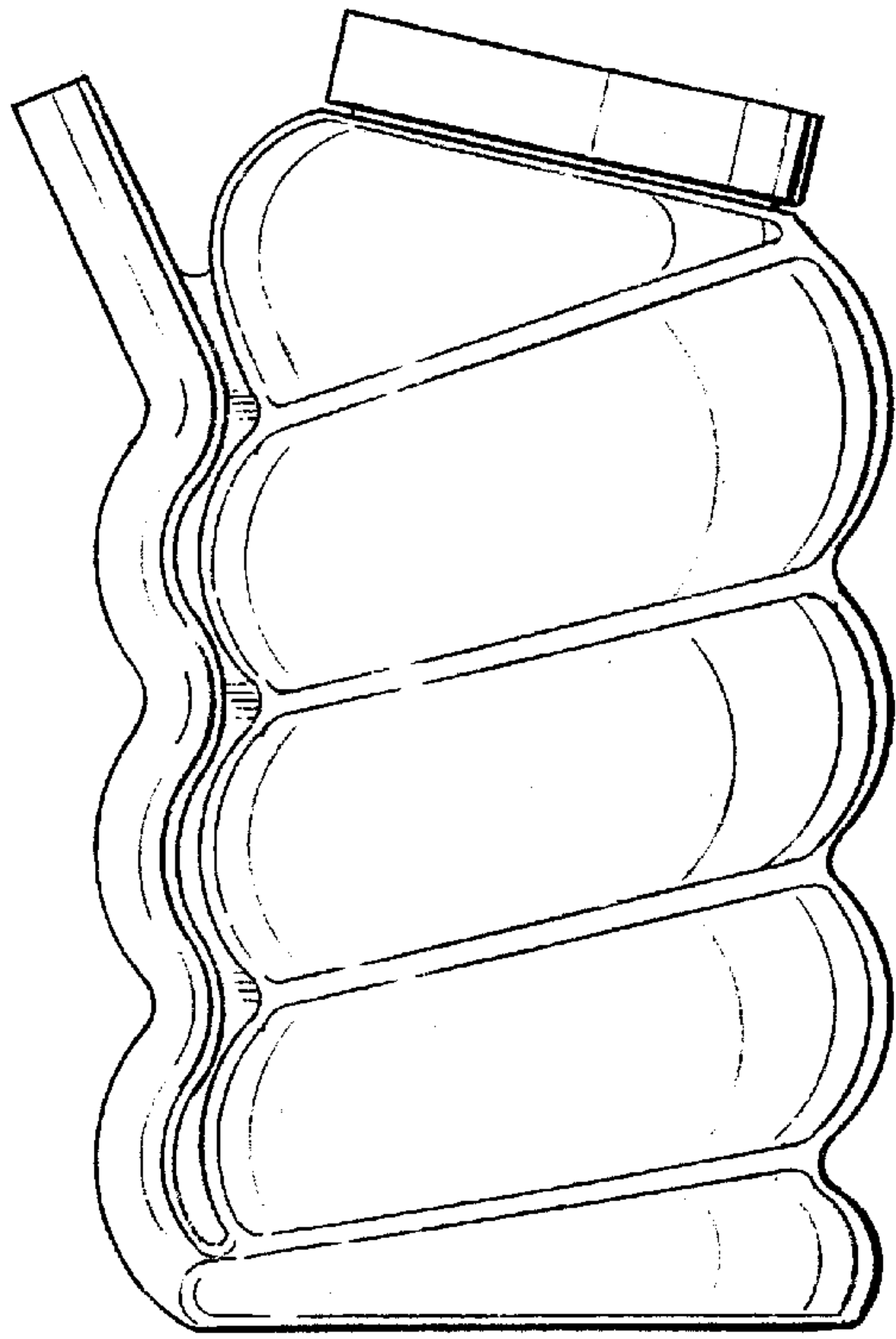


FIG -10

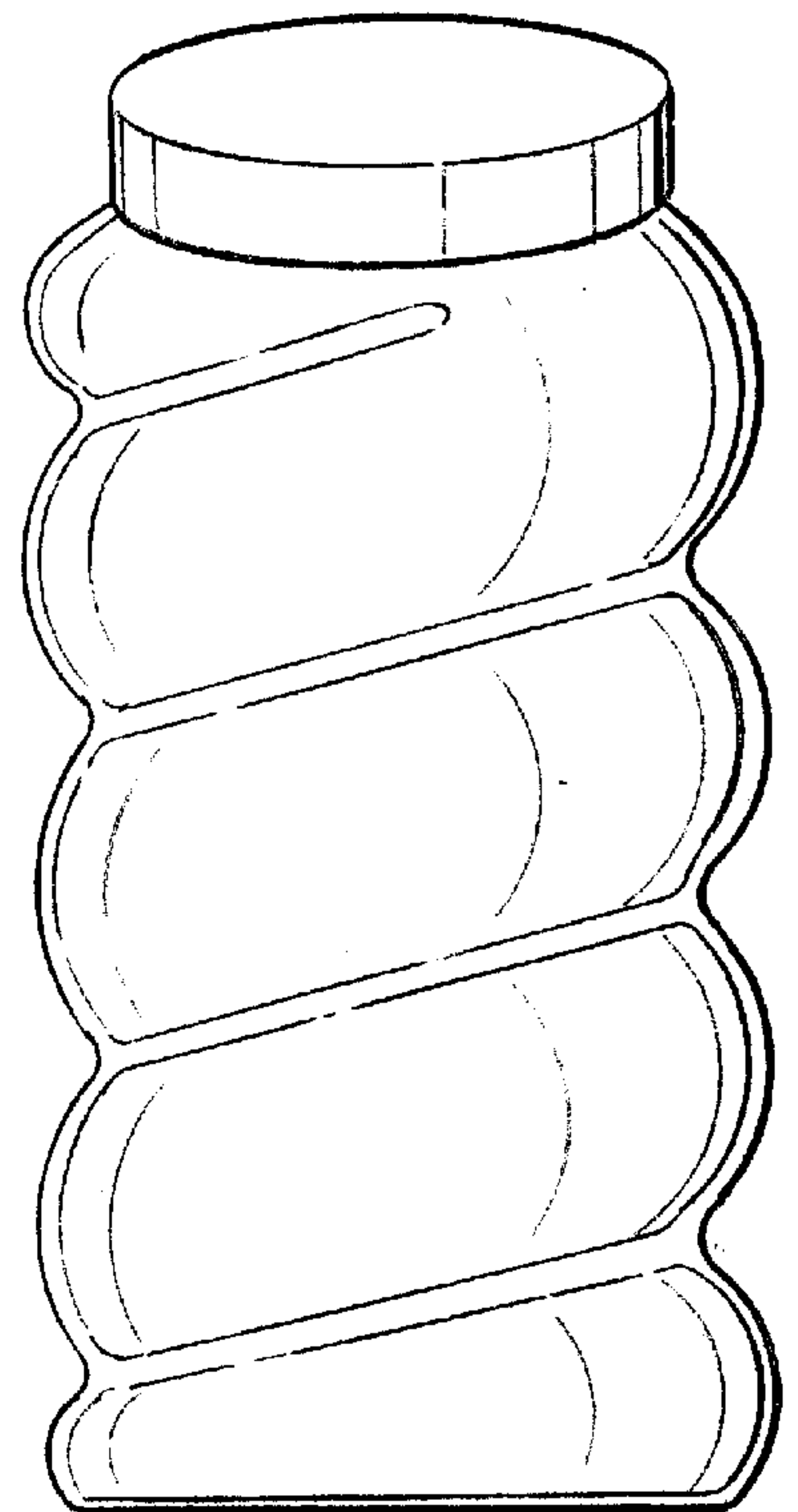


FIG -11

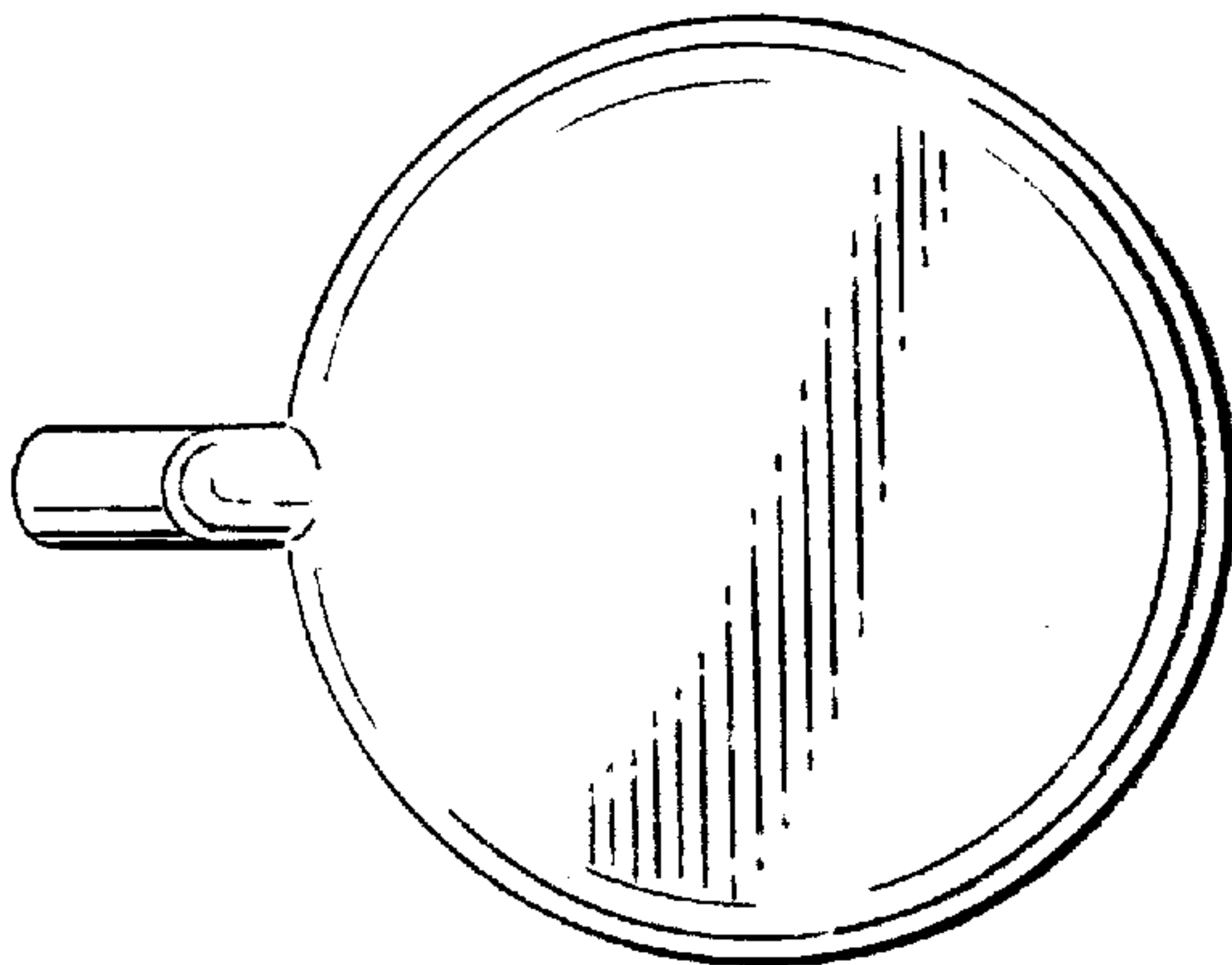


FIG -12