



US00D468964S

(12) **United States Design Patent**
Becker et al.

(10) **Patent No.:** **US D468,964 S**

(45) **Date of Patent:** **** Jan. 21, 2003**

(54) **GRATE ASSEMBLY FOR A GAS COOKING APPLIANCE**

(75) Inventors: **Theodore A. Becker**, Cleveland, TN (US); **Jeffrey Ensley**, Cleveland, TN (US); **James Coty McFarland**, Cleveland, TN (US); **Inho Andy Shin**, Cleveland, TN (US); **Jeffrey Ware**, Chattanooga, TN (US); **Jerry Woodby**, Cleveland, TN (US)

(73) Assignee: **Maytag Corporation**, Newton, IA (US)

(**) Term: **14 Years**

(21) Appl. No.: **29/155,551**

(22) Filed: **Feb. 14, 2002**

(51) **LOC (7) Cl.** **07-02**

(52) **U.S. Cl.** **D7/408**

(58) **Field of Search** D7/408, 346, 347, D7/402, 407, 409; 126/39 B, 211, 217, 218, 214 C, 214 R, 215, 216, 152 R

(56) **References Cited**

U.S. PATENT DOCUMENTS

2,594,215 A	4/1952	Resek	126/211
D214,856 S	* 8/1969	Feldkircher	D7/346
D301,534 S	6/1989	Binzer	D7/408
D343,336 S	* 1/1994	Falk	D7/407
D367,802 S	3/1996	Lewis et al.	D7/408
D372,630 S	8/1996	Lewis et al.	D7/346
D421,694 S	3/2000	Kitabayashi et al.	D7/346
D429,953 S	8/2000	Orzel et al.	D7/405
D460,320 S	* 7/2002	Becker et al.	D7/408
D461,090 S	8/2002	Rummel et al.	D7/346

OTHER PUBLICATIONS

Kitchen Aid, 30-Inch Gas Cooktop with Four Sealed Gas Burners and Filler Grate, 2002.*

Thermador "Create"Catalog, copyright 1999, p. 34, 30 White Porcelain Cooktop.

Kitchen Aid Ranges, Ventilation Hoods and Microwave Ovens catalog, rec'd Jan. 12, 2000, p. 15, 30. Freestanding Gas Range.

* cited by examiner

Primary Examiner—Catherine R. Oliver
(74) *Attorney, Agent, or Firm*—Diederiks & Whitelaw, PLC

(57) **CLAIM**

The ornamental design for a grate assembly for a gas cooking appliance, as shown and described.

DESCRIPTION

FIG. 1 is a top right perspective view of a grate assembly for a gas cooking appliance showing our new design, formed from left and right with the side portions being mirror images;

FIG. 2 is an upper right perspective view of the right side portion of the grate assembly shown in FIG. 1;

FIG. 3 is a front elevational view of the right side portion of the grate assembly of FIG. 1, with rear elevational view being a mirror image thereof;

FIG. 4 is a top plan view of the right side portion of the grate assembly shown in FIG. 1;

FIG. 5 is a right elevational view of the right side portion of the grate assembly of FIG. 1, with the left elevational view being a mirror image thereof; and,

FIG. 6 is a bottom plan view of the right side portion of the grate assembly of FIG. 1.

The broken lines in FIG. 1 showing overall cabinet, cooktop, rear downdraft vent, gas burner heads, burner control knobs, front control panel, and front door/handle assembly are for illustrative purposes only and form no part of the claimed invention.

1 Claim, 4 Drawing Sheets

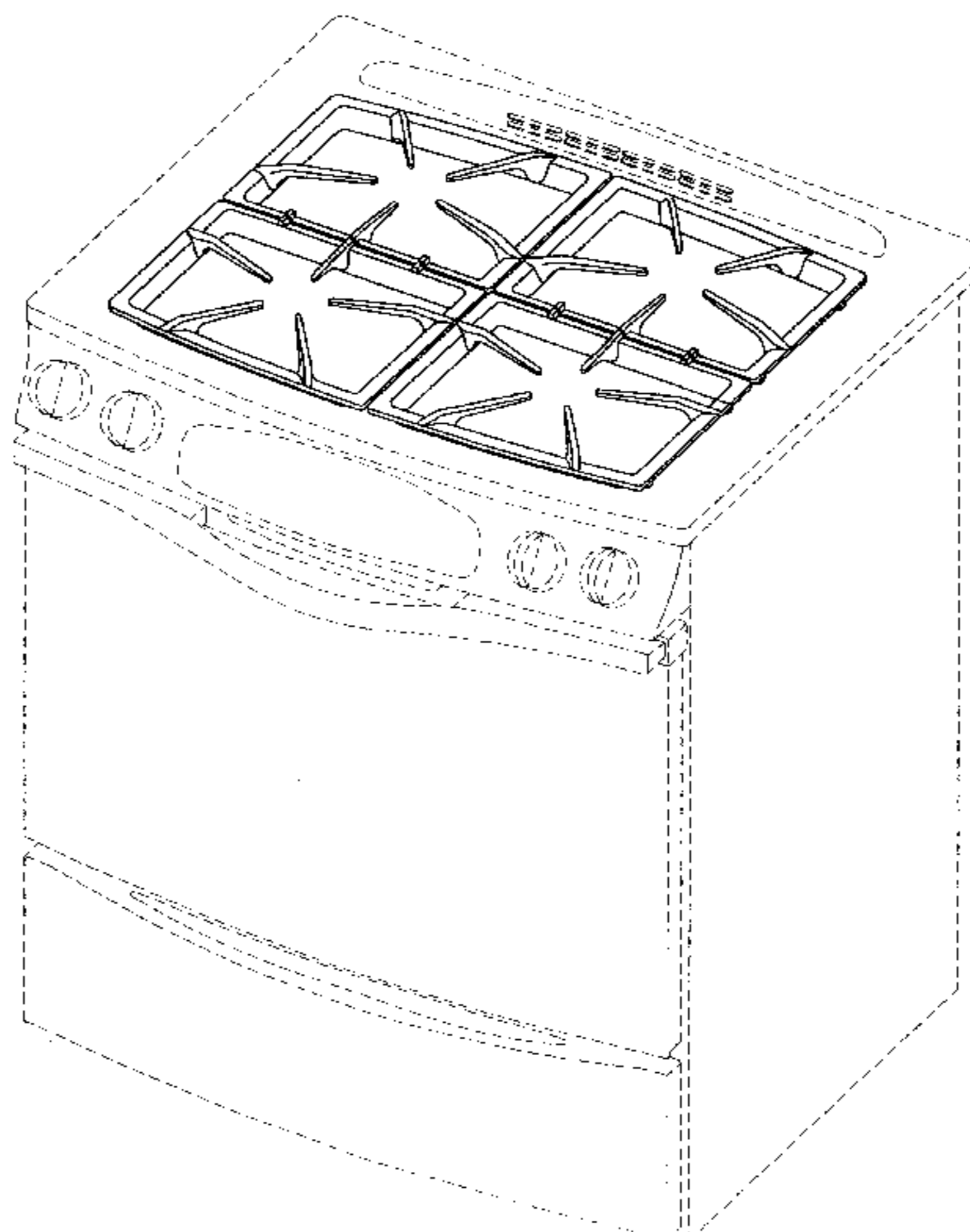
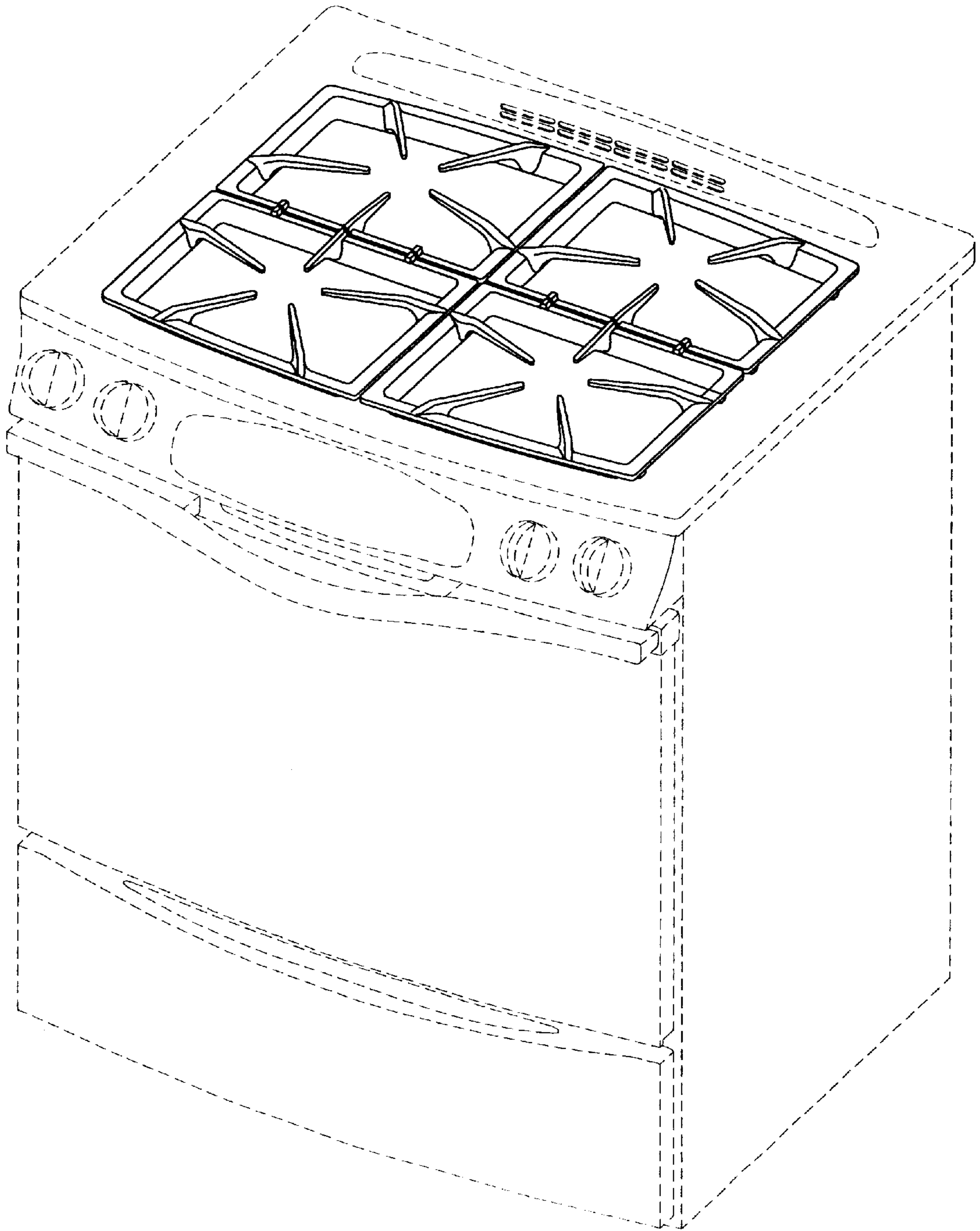


FIG. 1



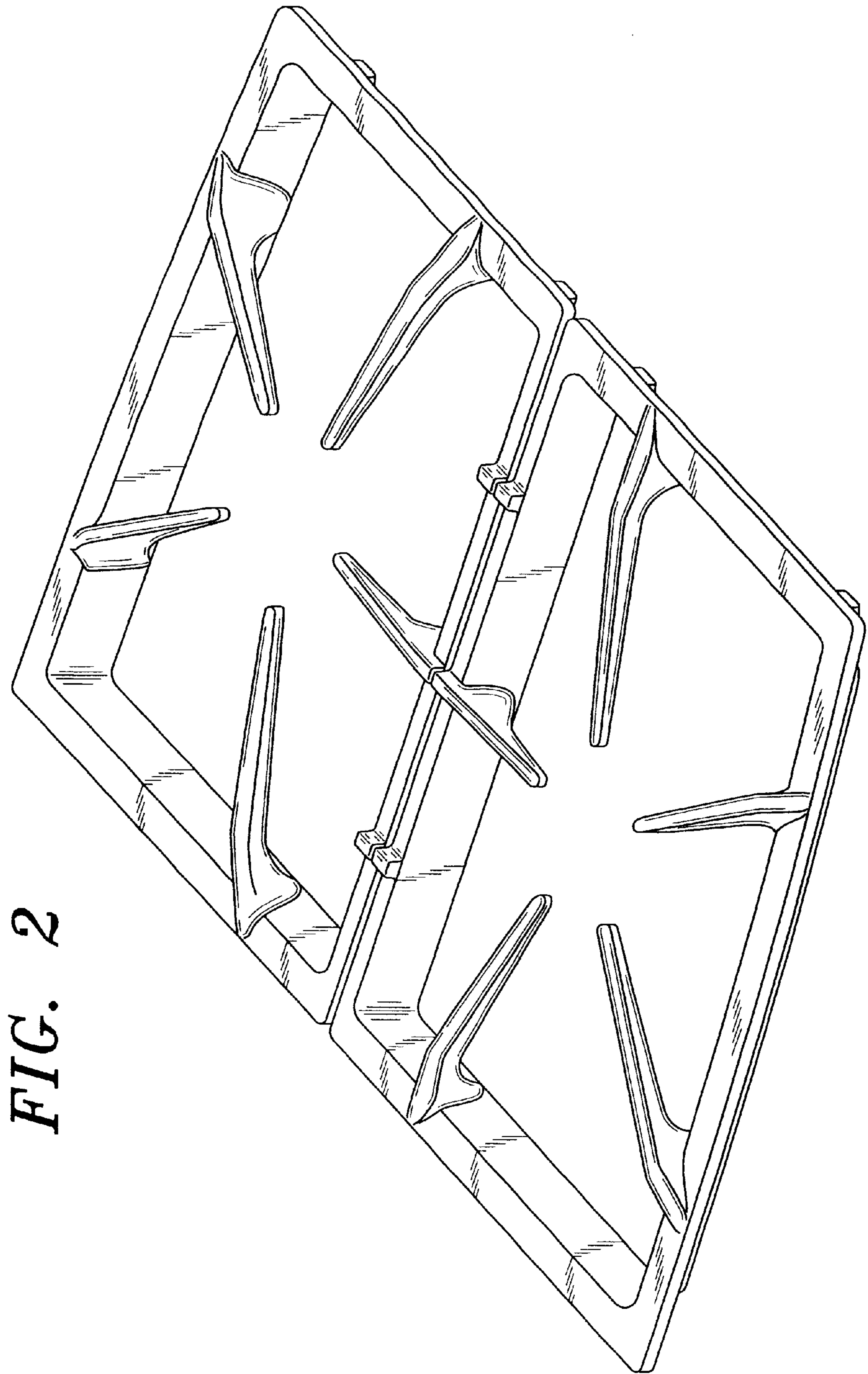


FIG. 2

FIG. 3

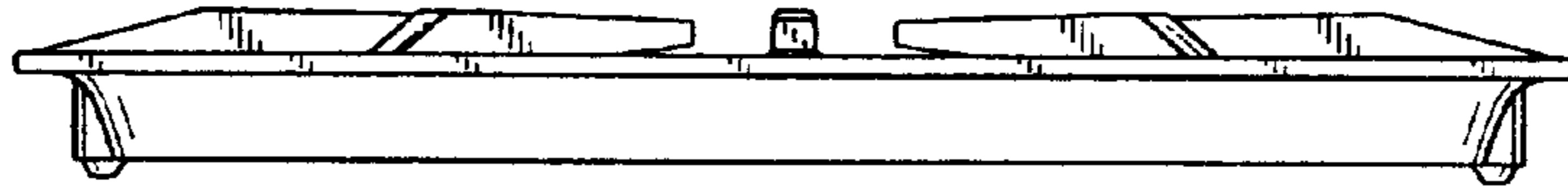


FIG. 4

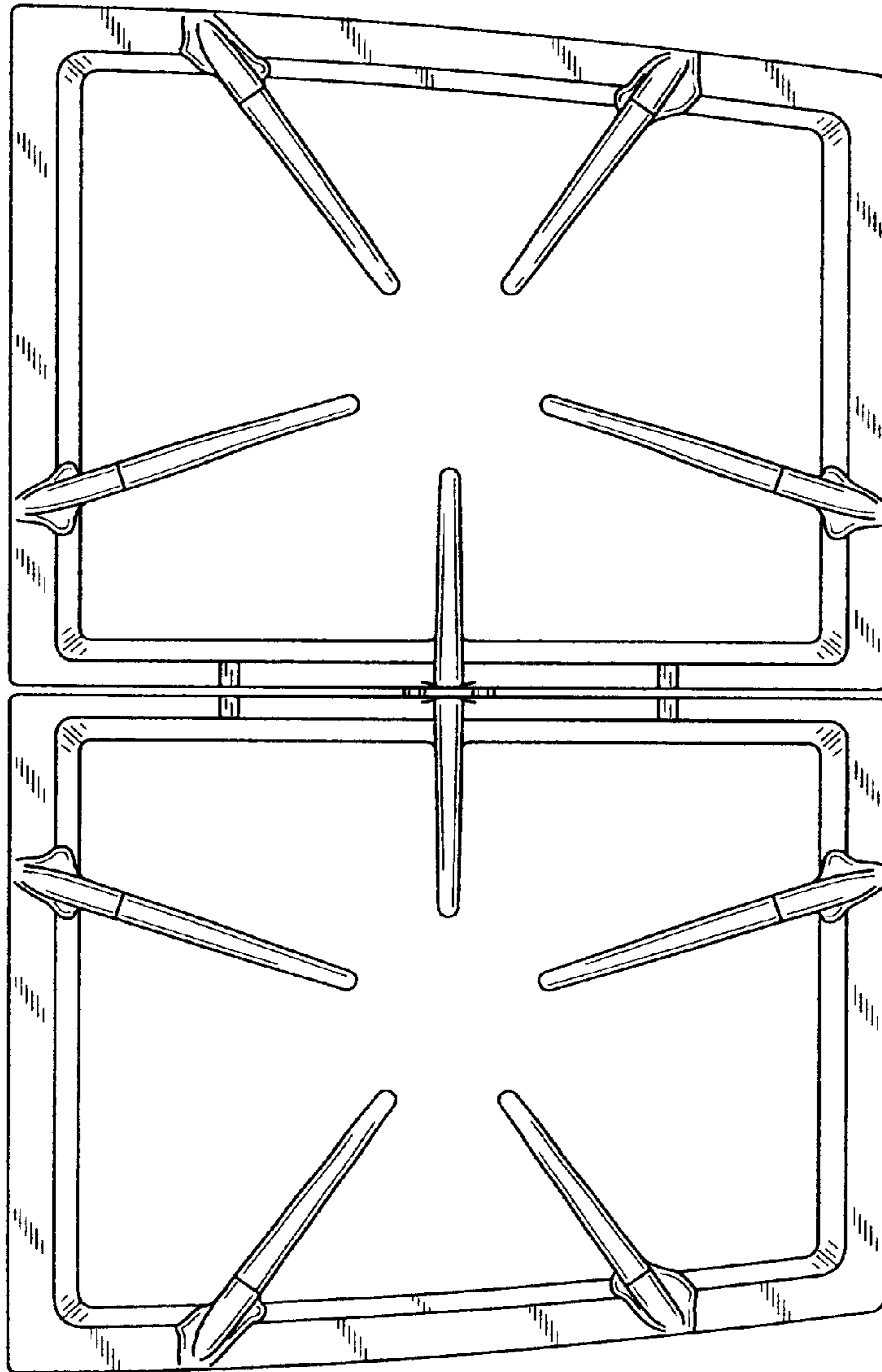


FIG. 5

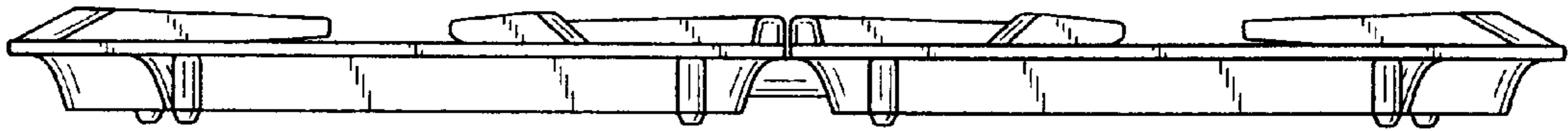


FIG. 6

