



US00D468963S

(12) **United States Design Patent**  
**Pai**

(10) **Patent No.:** **US D468,963 S**

(45) **Date of Patent:** **\*\* Jan. 21, 2003**

(54) **STOVE RING**

(76) **Inventor:** **Lucas Pai**, 8 Fl.-2, No. 160, Sec. 1,  
Chung-Kang Rd., Taichung (TW)

(\*\*) **Term:** **14 Years**

(21) **Appl. No.:** **29/155,670**

(22) **Filed:** **Feb. 11, 2002**

(51) **LOC (7) Cl.** ..... **07-02**

(52) **U.S. Cl.** ..... **D7/407**

(58) **Field of Search** ..... D7/407, 332, 337,  
D7/402, 408; 126/92 AC, 41 R, 39 R, 39 E,  
39 H, 39 N, 39 K; 219/455.1, 446, 449,  
454.12, 458

(56) **References Cited**

**U.S. PATENT DOCUMENTS**

3,124,673	A	*	3/1964	Yohe	.....	219/454.12
3,192,361	A	*	6/1965	Post et al.	.....	219/458
D236,867	S	*	9/1975	Horholt	.....	D7/408
D330,661	S	*	11/1992	McWilliams	.....	D7/407

5,227,611	A	*	7/1993	Allatt et al.	.....	219/458
6,089,219	A	*	7/2000	Kodera et al.	.....	126/39 R
D439,801	S	*	4/2001	Measom	.....	D7/407

\* cited by examiner

*Primary Examiner*—Catherine R. Oliver  
(74) *Attorney, Agent, or Firm*—David A. Belasco; Belasco  
Jacobs & Townsley, LLP

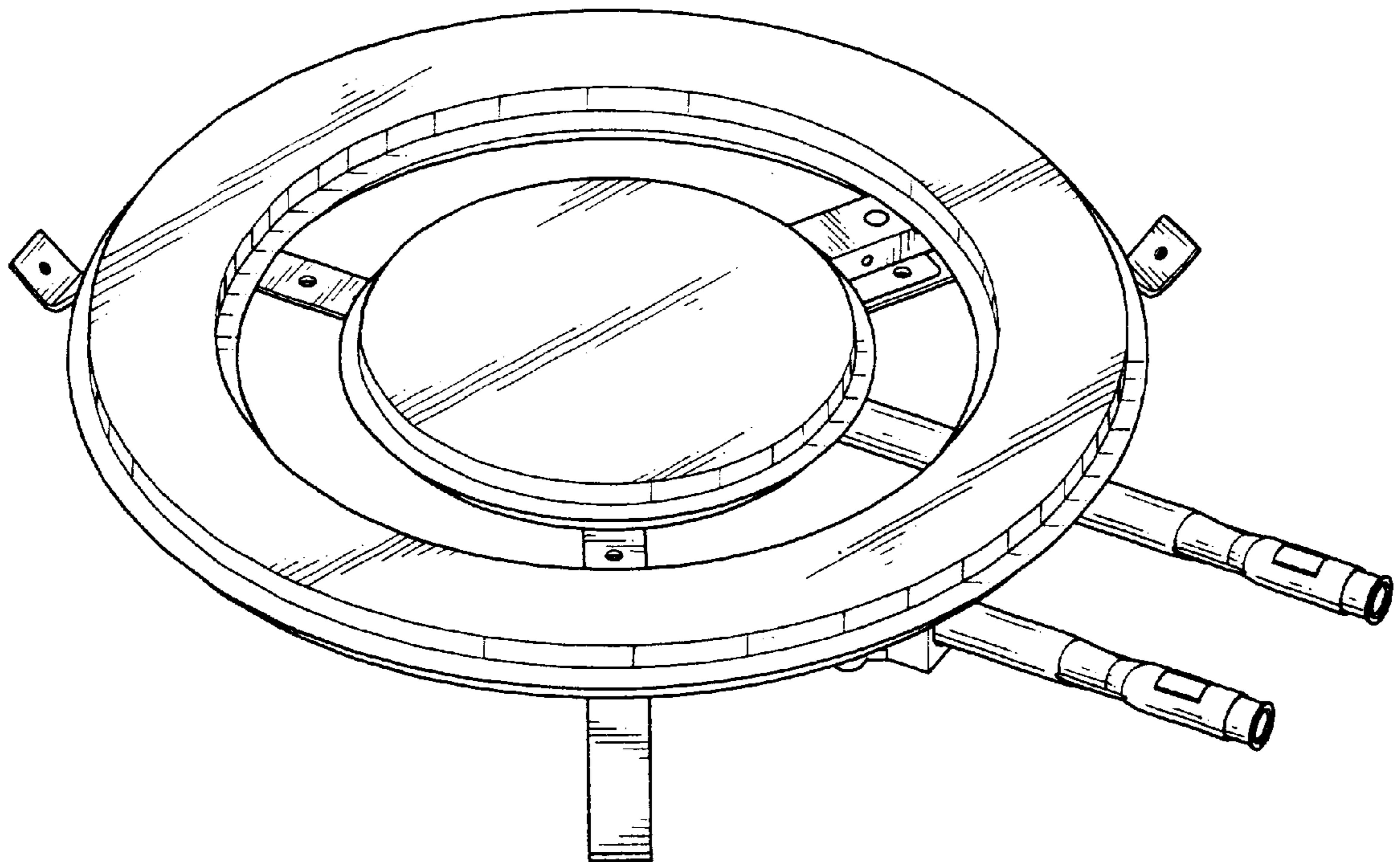
(57) **CLAIM**

The ornamental design for a stove ring, as shown.

**DESCRIPTION**

FIG. 1 is a perspective view of a stove ring showing my new design;  
FIG. 2 is a front elevational view thereof;  
FIG. 3 is a rear elevational view thereof;  
FIG. 4 is a left side view thereof;  
FIG. 5 is a right side view thereof;  
FIG. 6 is a top plan view thereof; and,  
FIG. 7 is a bottom plan view thereof.

**1 Claim, 5 Drawing Sheets**



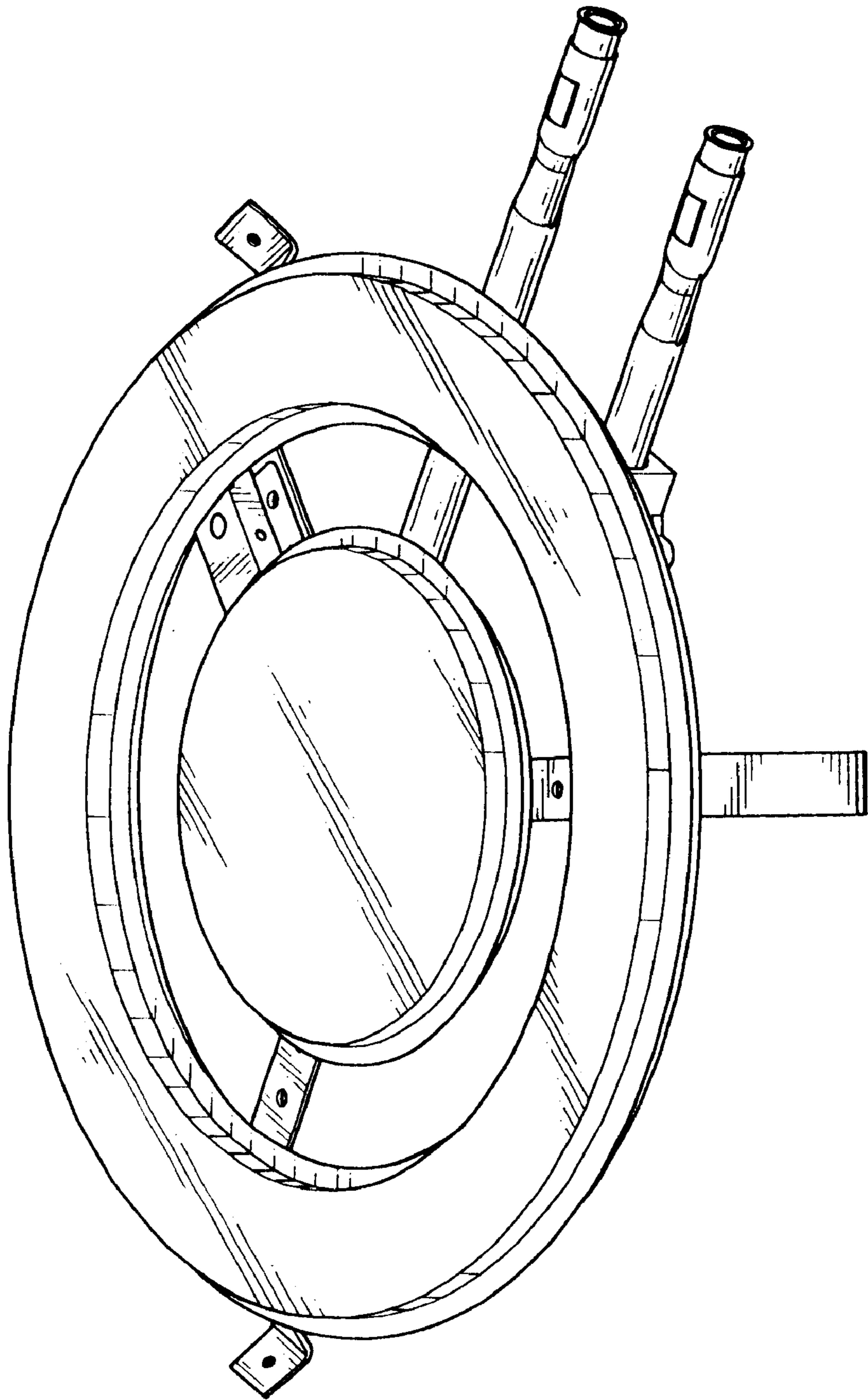


FIG.1

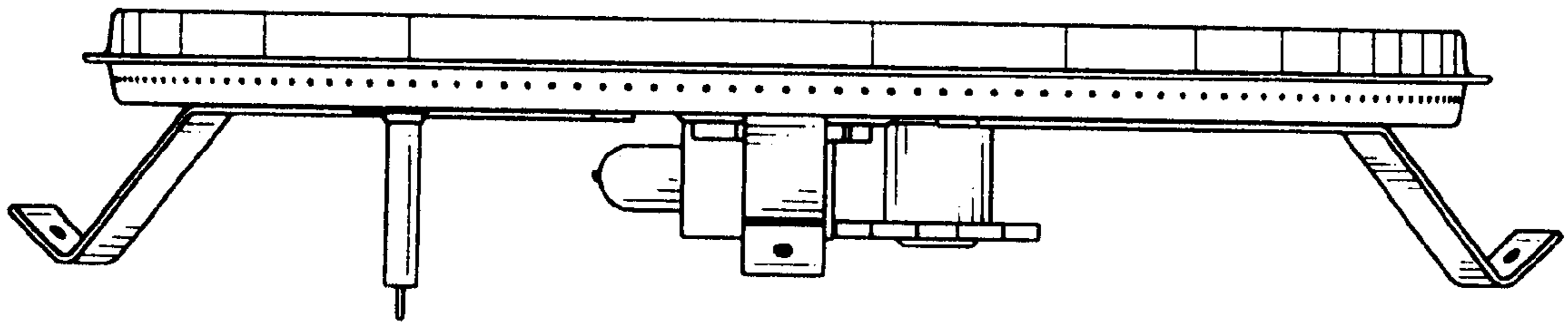


FIG. 2

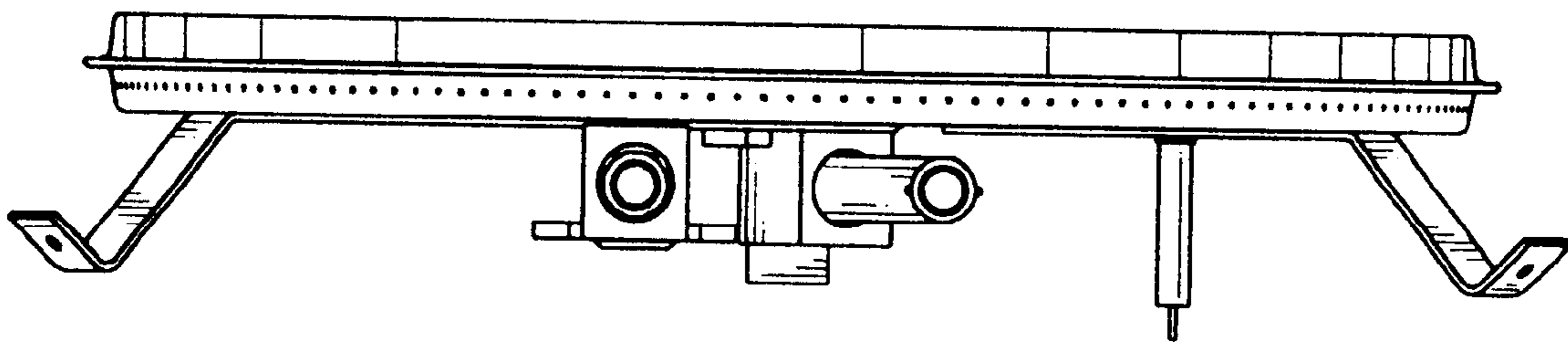


FIG. 3

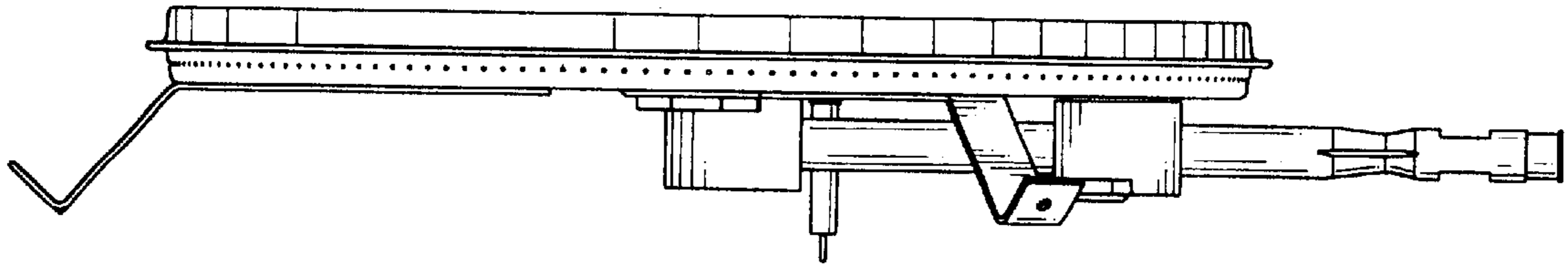


FIG. 5

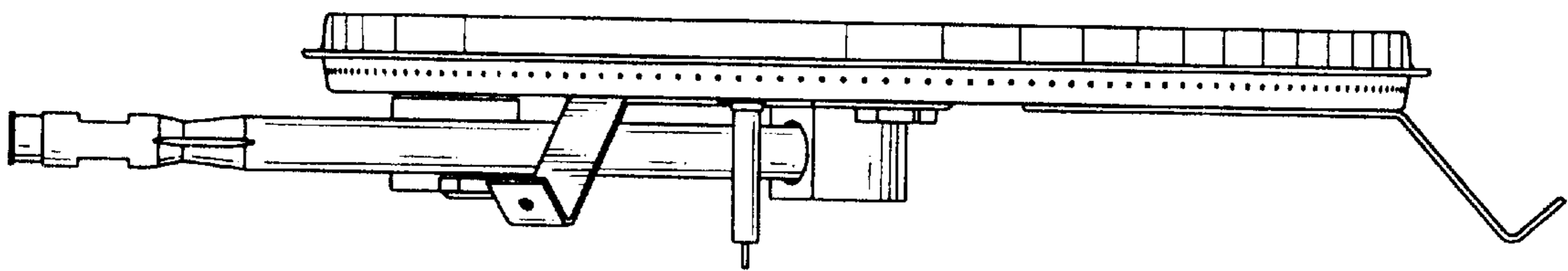


FIG. 4

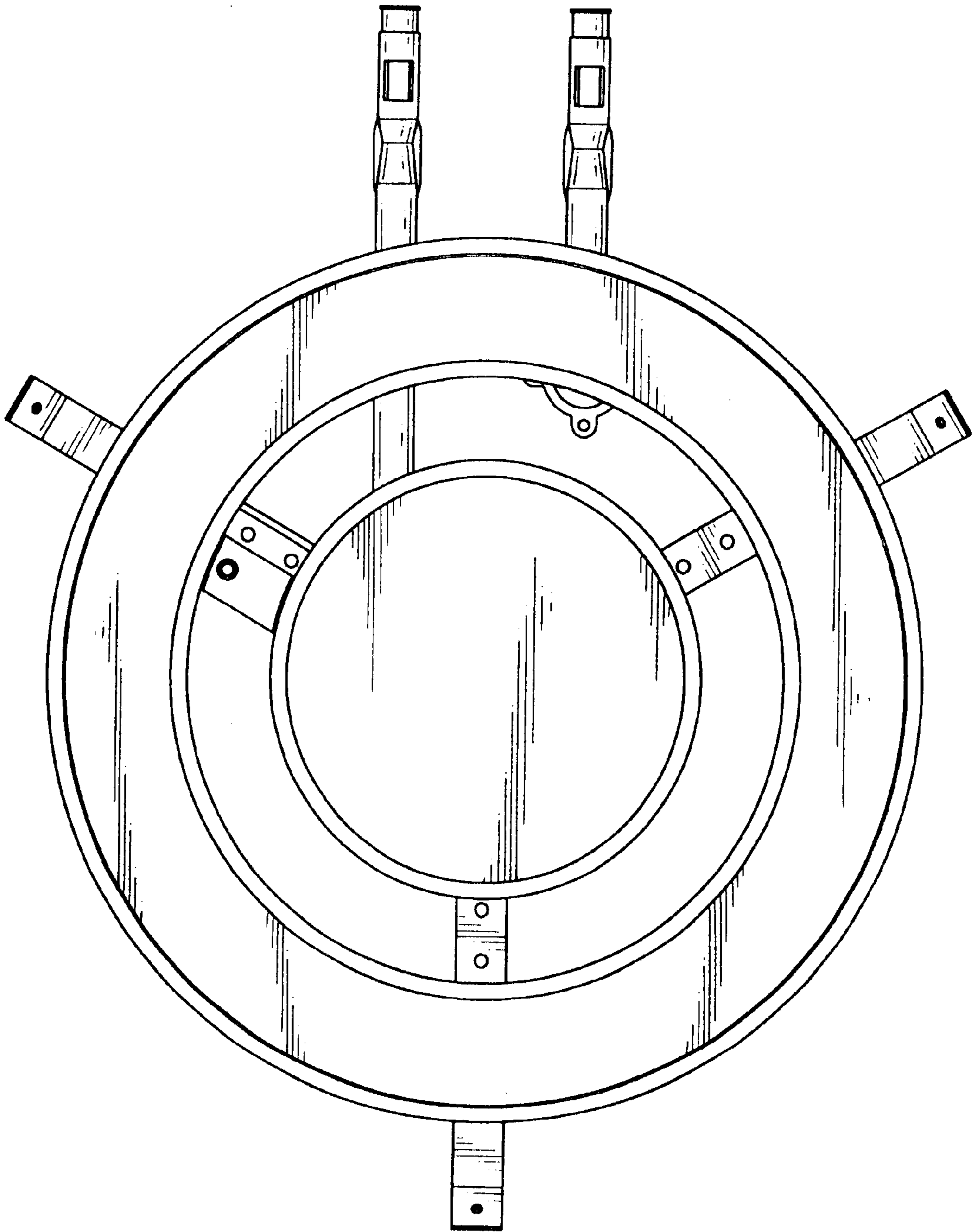


FIG. 6

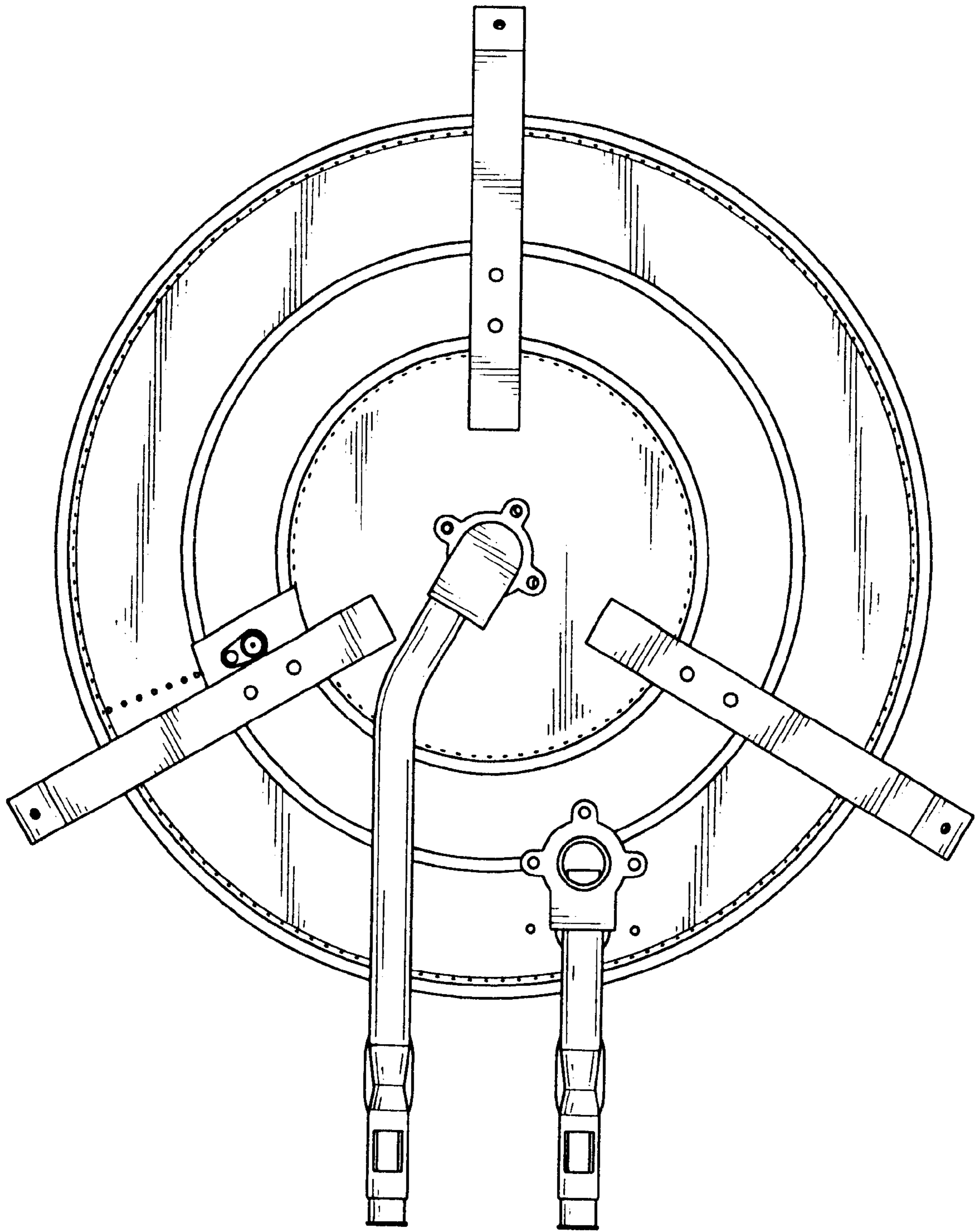


FIG. 7