



US00D468961S

(12) **United States Design Patent**  
**Becker et al.**

(10) **Patent No.:** **US D468,961 S**

(45) **Date of Patent:** **\*\* Jan. 21, 2003**

(54) **OVEN VENT COVER FOR A GAS COOKING APPLIANCE**

6,067,980 A 5/2000 Kahlke et al. .... 126/214 R

\* cited by examiner

(75) Inventors: **Theodore A. Becker**, Cleveland, TN (US); **Jeffrey Ensley**, Cleveland, TN (US); **James Coty McFarland**, Cleveland, TN (US); **Inho Andy Shin**, Cleveland, TN (US); **Jeffrey Ware**, Chattanooga, TN (US); **Jerry Woodby**, Cleveland, TN (US)

*Primary Examiner*—Catherine R. Oliver  
(74) *Attorney, Agent, or Firm*—Diederiks & Whitelaw, PLC

(57) **CLAIM**

The ornamental design for an oven vent cover for a gas cooking appliance, as shown and described.

(73) Assignee: **Maytag Corporation**, Newton, IA (US)

**DESCRIPTION**

(\*\*) Term: **14 Years**

(21) Appl. No.: **29/155,560**

FIG. 1 is a top right perspective view of our oven vent cover for a gas cooking appliance showing our new design;

(22) Filed: **Feb. 14, 2002**

FIG. 2 is an upper right perspective view of the oven vent cover of FIG. 1 positioned upon an upper surface of a cooking appliance;

(51) **LOC (7) Cl.** ..... **07-02**

(52) **U.S. Cl.** ..... **D7/402**

(58) **Field of Search** ..... D7/402, 340-408;  
126/214 R, 211, 214 D, 299 C, 42, 215,  
39 K, 299 D, 39

FIG. 3 is a front elevational view of the oven vent cover of FIGS. 1 and 2;

FIG. 4 is a top plan view of the oven vent cover arrangement;

FIG. 5 is a right side elevational view of the oven vent cover of the invention, with the left side elevational view being a mirror image thereof; and,

FIG. 6 is a rear elevational view of the oven vent cover of the invention.

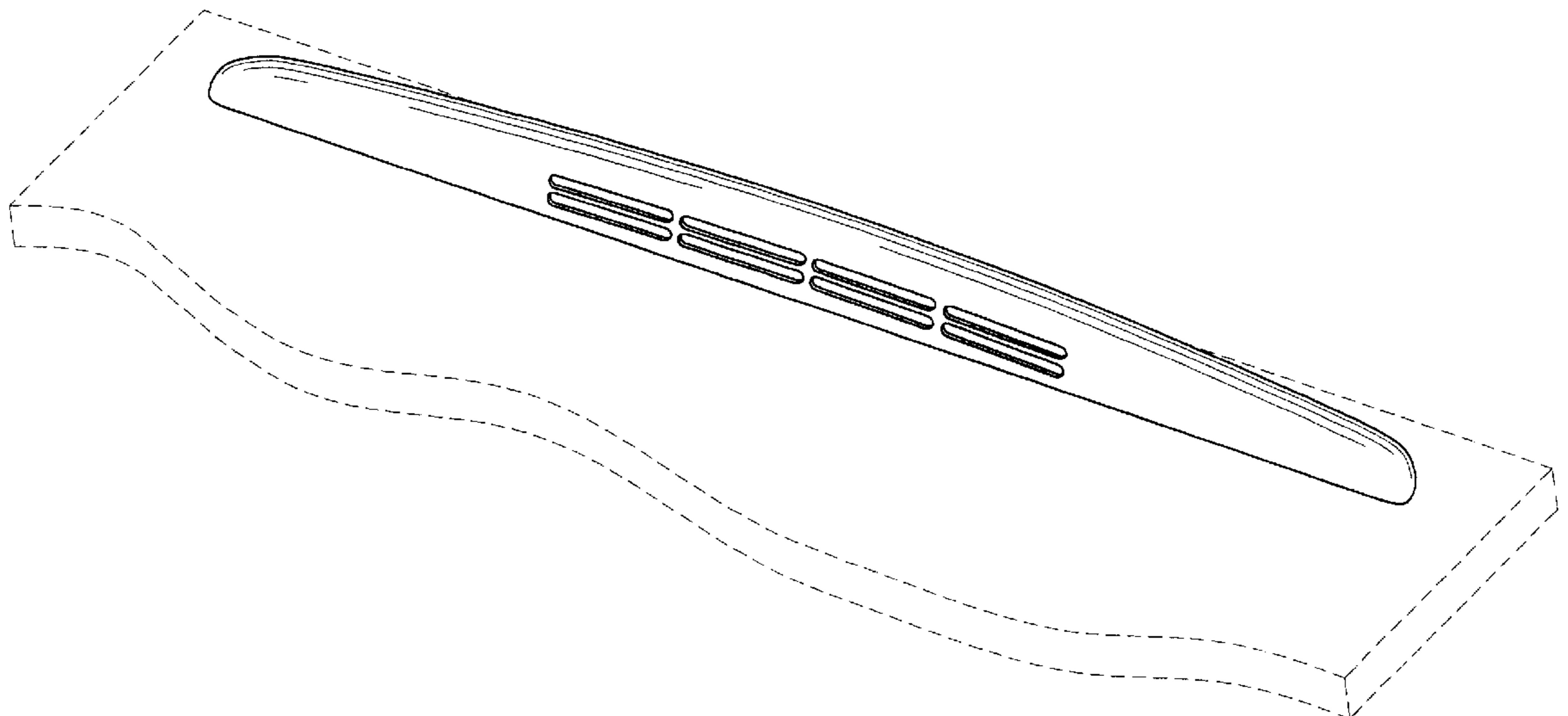
(56) **References Cited**

**U.S. PATENT DOCUMENTS**

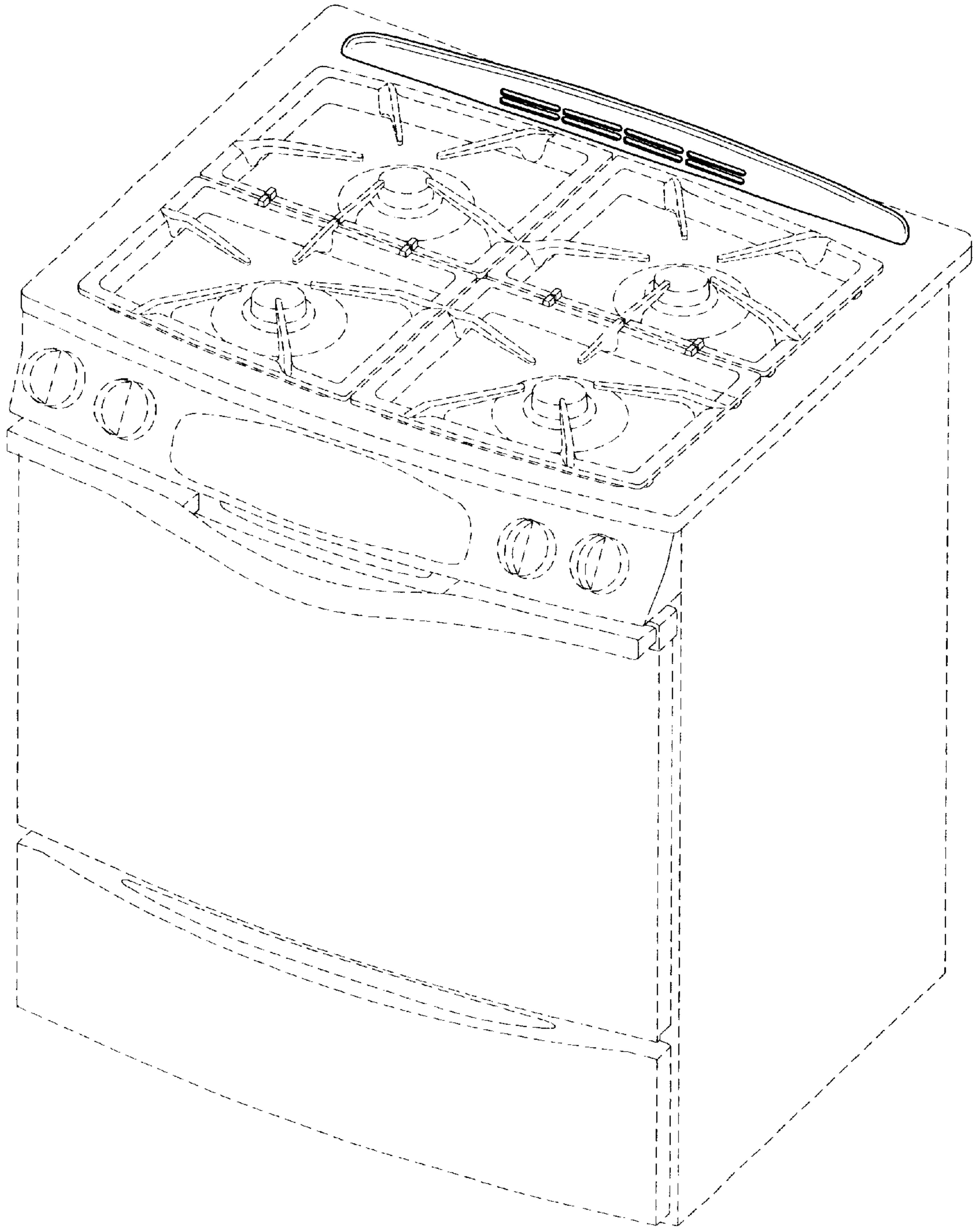
D129,464 S	*	9/1941	Pellegrin	.....	D7/406
D160,985 S	*	11/1950	Williams et al.	.....	D7/406
D165,390 S	*	12/1951	Perry	.....	D7/402
2,672,137 A	*	3/1954	Chambers et al.	.....	126/39
4,236,503 A	*	12/1980	Kemp	.....	126/215
4,665,893 A		5/1987	Miyagawa et al.	.....	126/299 D
D339,718 S	*	9/1993	Coy	.....	D7/402

The broken lines showing the overall cabinet, cooktop, gas burner heads, grates, burner control knobs, front control panel, and front door/handle assembly are for illustrative purposes only and form no part of the claimed invention.

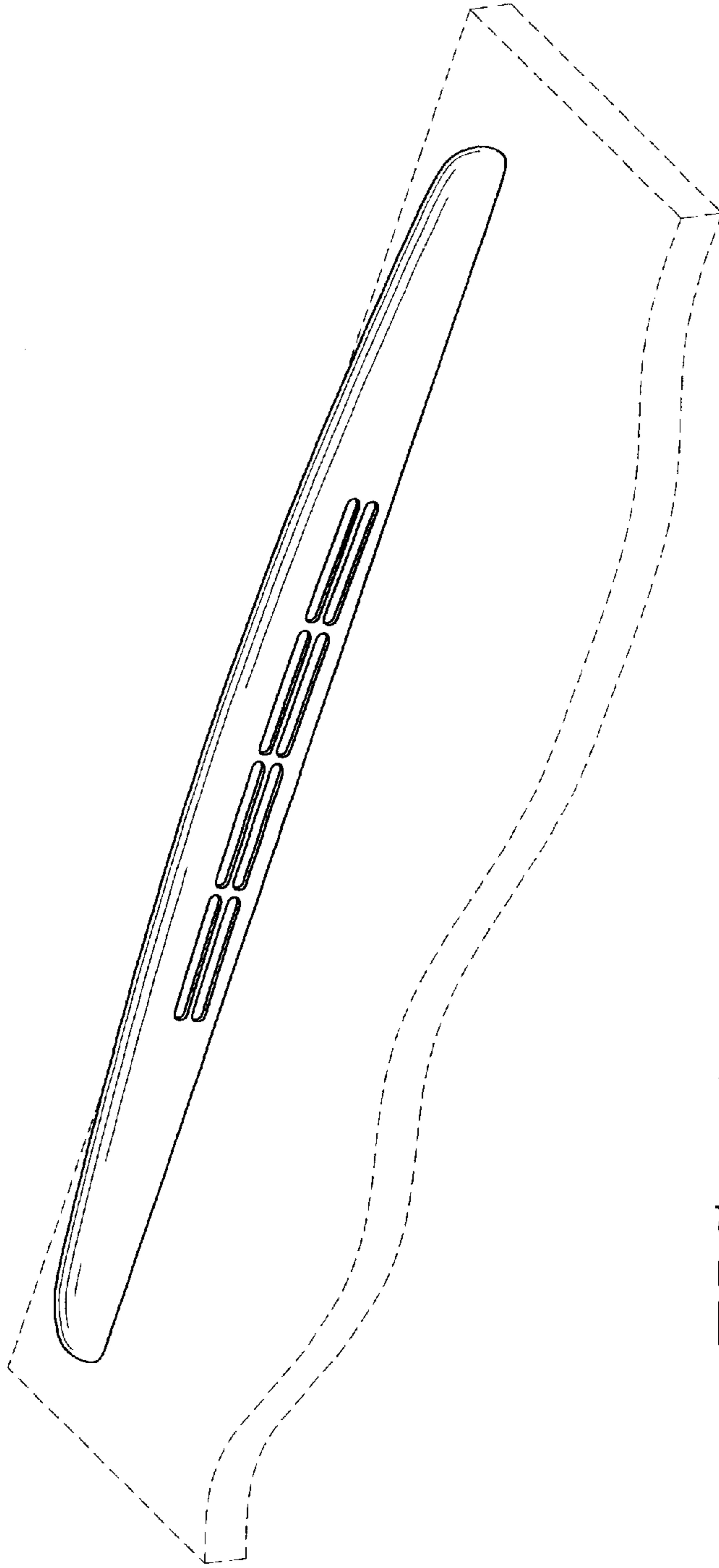
**1 Claim, 3 Drawing Sheets**



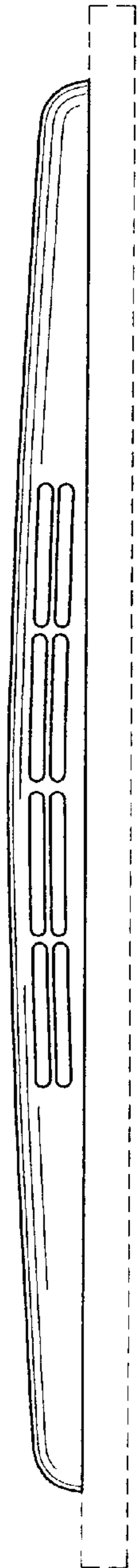
*FIG. 1*



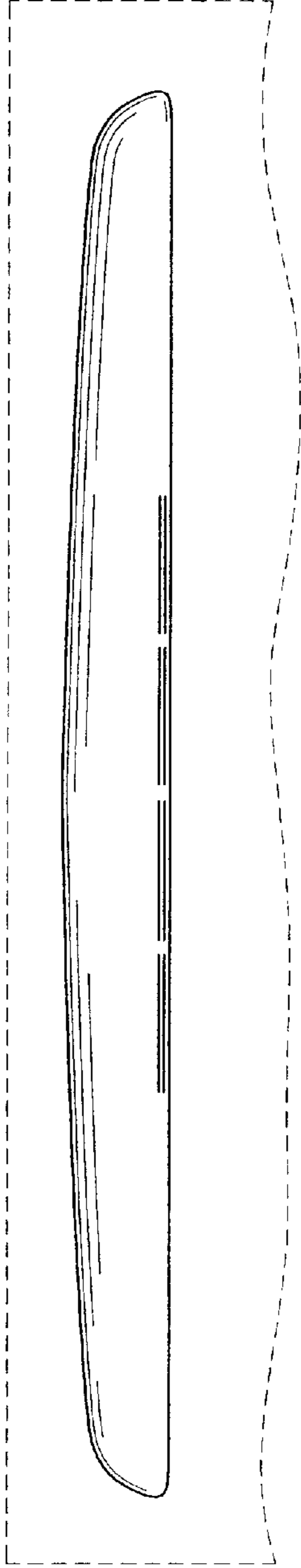
*FIG. 2*



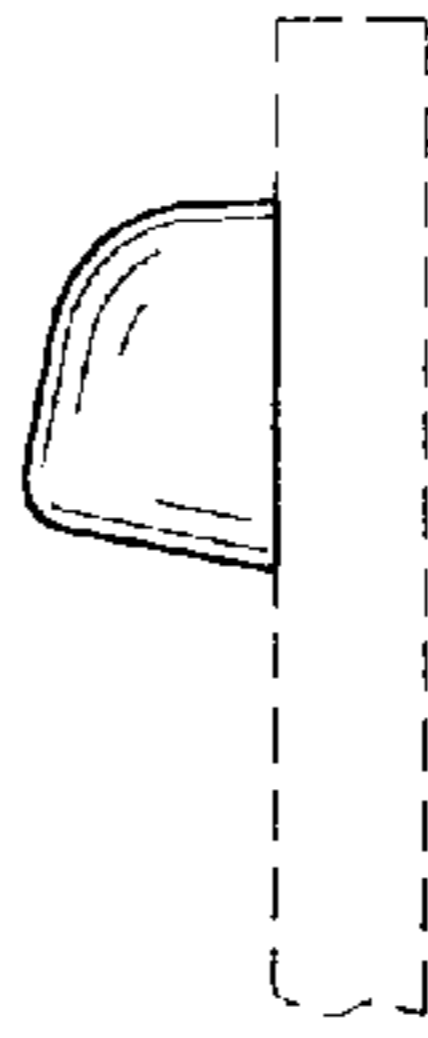
*FIG. 3*



*FIG. 4*



*FIG. 5*



*FIG. 6*

