



US00D468960S

(12) **United States Design Patent**
Hung

(10) **Patent No.:** **US D468,960 S**

(45) **Date of Patent:** **** Jan. 21, 2003**

(54) **BARBEQUE GRILL BOTTOM**

(75) Inventor: **Morgan Hung**, Taipei (CN)

(73) Assignee: **Atico International USA, Inc.**, Fort Lauderdale, FL (US)

(**) Term: **14 Years**

(21) Appl. No.: **29/153,928**

(22) Filed: **Oct. 29, 2001**

(51) **LOC (7) Cl.** **07-02**

(52) **U.S. Cl.** **D7/402; D7/332**

(58) **Field of Search** D7/402, 403, 404,
D7/332-337; 126/25 R, 25 A, 25 AA, 41 R,
37-38, 9 R; 99/419, 421 R

(56) **References Cited**

U.S. PATENT DOCUMENTS

2,797,681	A	*	7/1957	Crowsley, Jr. et al.	126/25 R
4,603,679	A	*	8/1986	Ogden	126/25 B
4,624,239	A	*	11/1986	Yellin	126/25 R
D295,135	S	*	4/1988	Ogden	D7/334
D376,510	S	*	12/1996	Ting	D7/332
5,755,151	A	*	5/1998	Nowicke, Sr.	99/340

D414,980 S * 10/1999 Pai D7/337

D420,546 S * 2/2000 Pai D7/332

D427,840 S * 7/2000 Pai D7/332

D435,753 S * 1/2001 Pai D7/332

* cited by examiner

Primary Examiner—Ruth McInroy

(74) *Attorney, Agent, or Firm*—Gibbons, Del Deo, Dolan, Griffinger & Vecchione

(57) **CLAIM**

The ornamental design of a barbecue grill bottom, as shown and described.

DESCRIPTION

FIG. 1 is a top front perspective view of a barbecue grill bottom showing my new design, the portions shown in broken lines are for environmental purposes only and form no part of the claimed design;

FIG. 2 is a top plan view thereof;

FIG. 3 is a left side view thereof, which is a mirror image of the right side view thereof;

FIG. 4 is a rear view thereof; and,

FIG. 5 is a bottom plan view thereof.

1 Claim, 3 Drawing Sheets

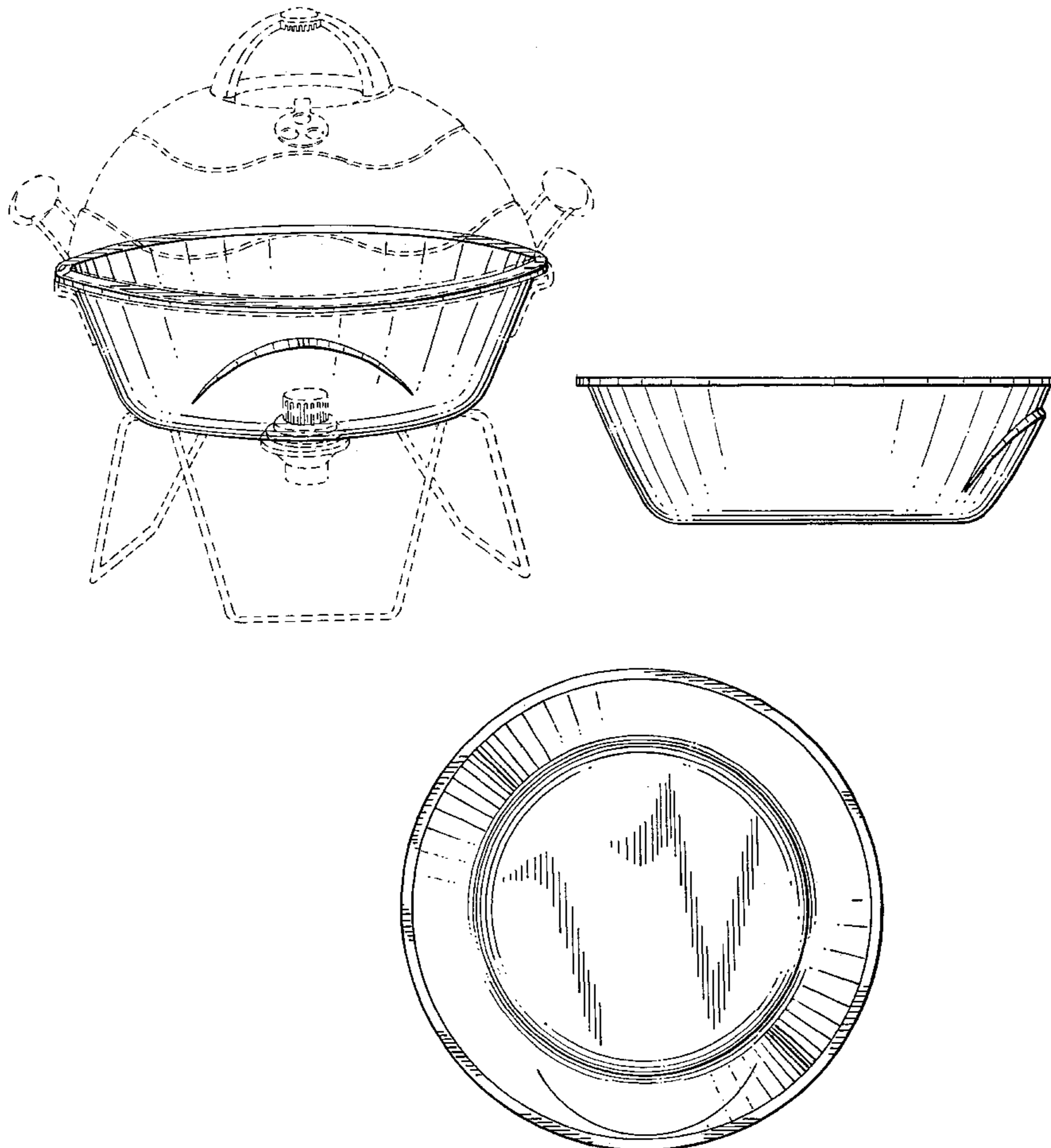
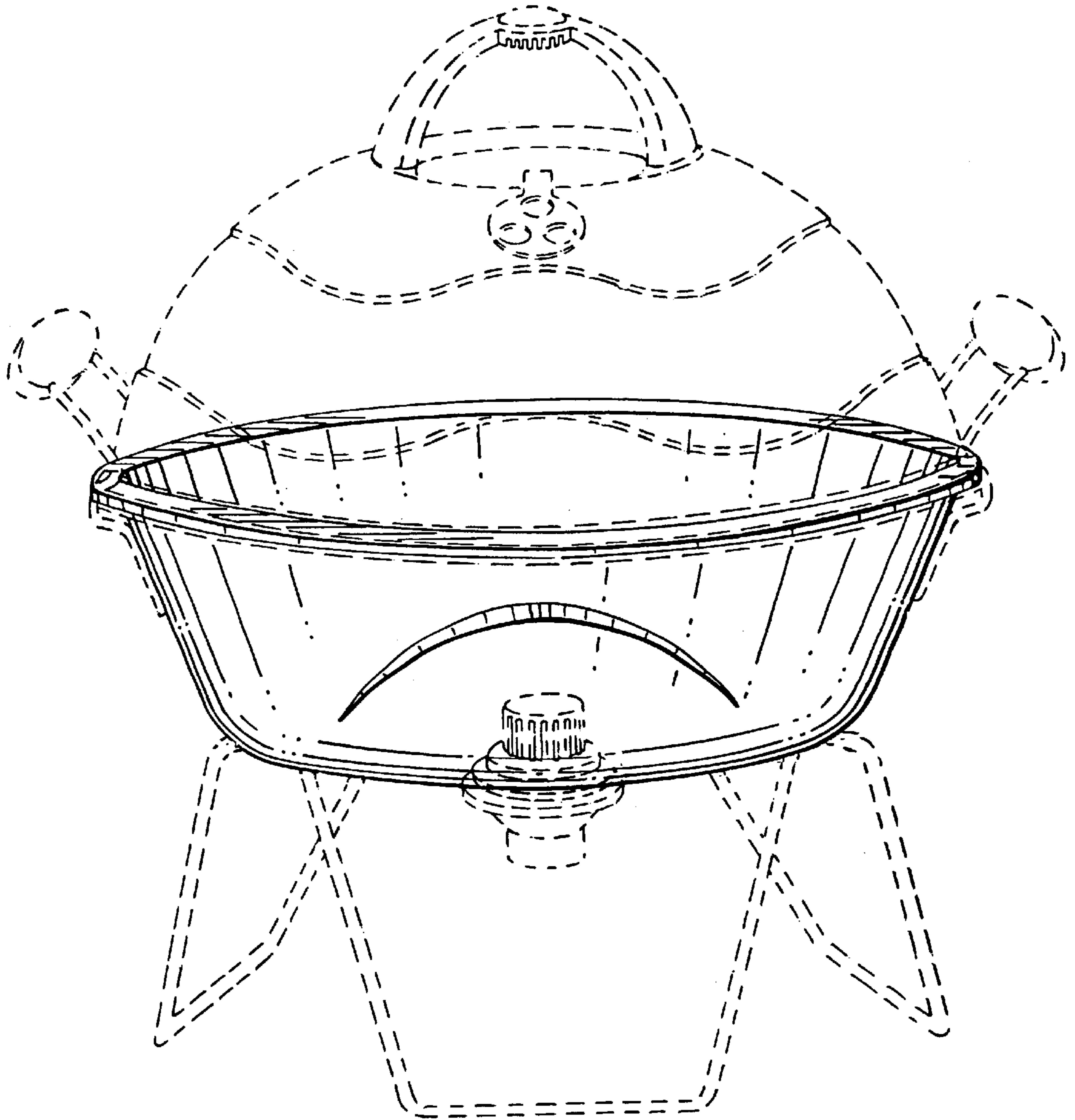


FIG. 1



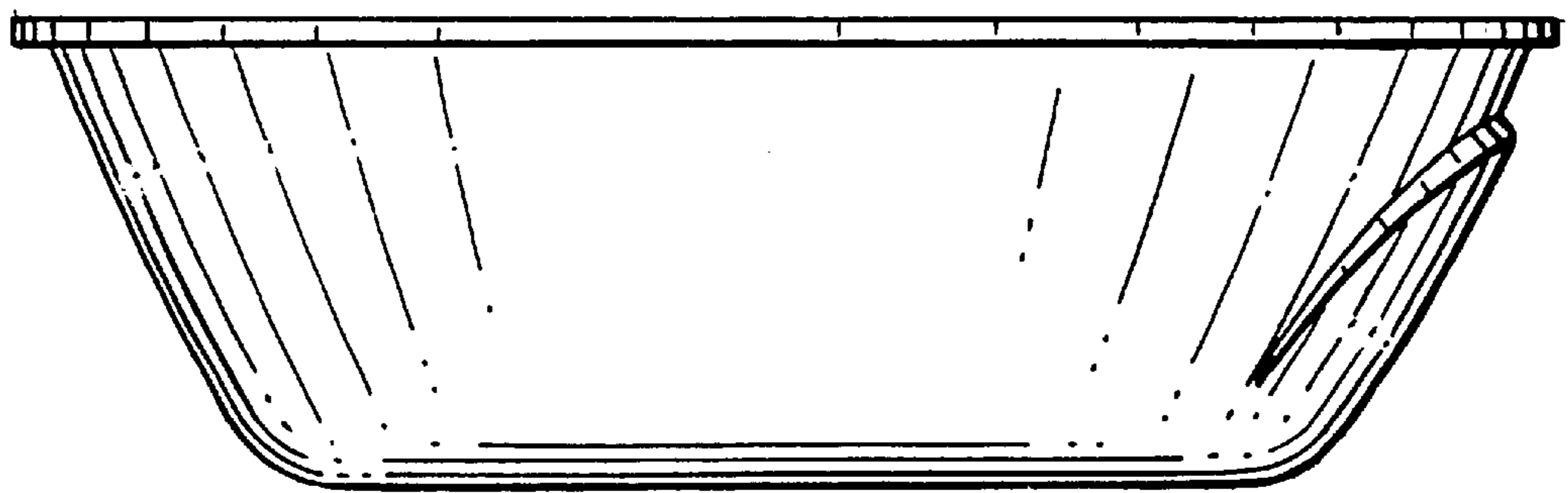
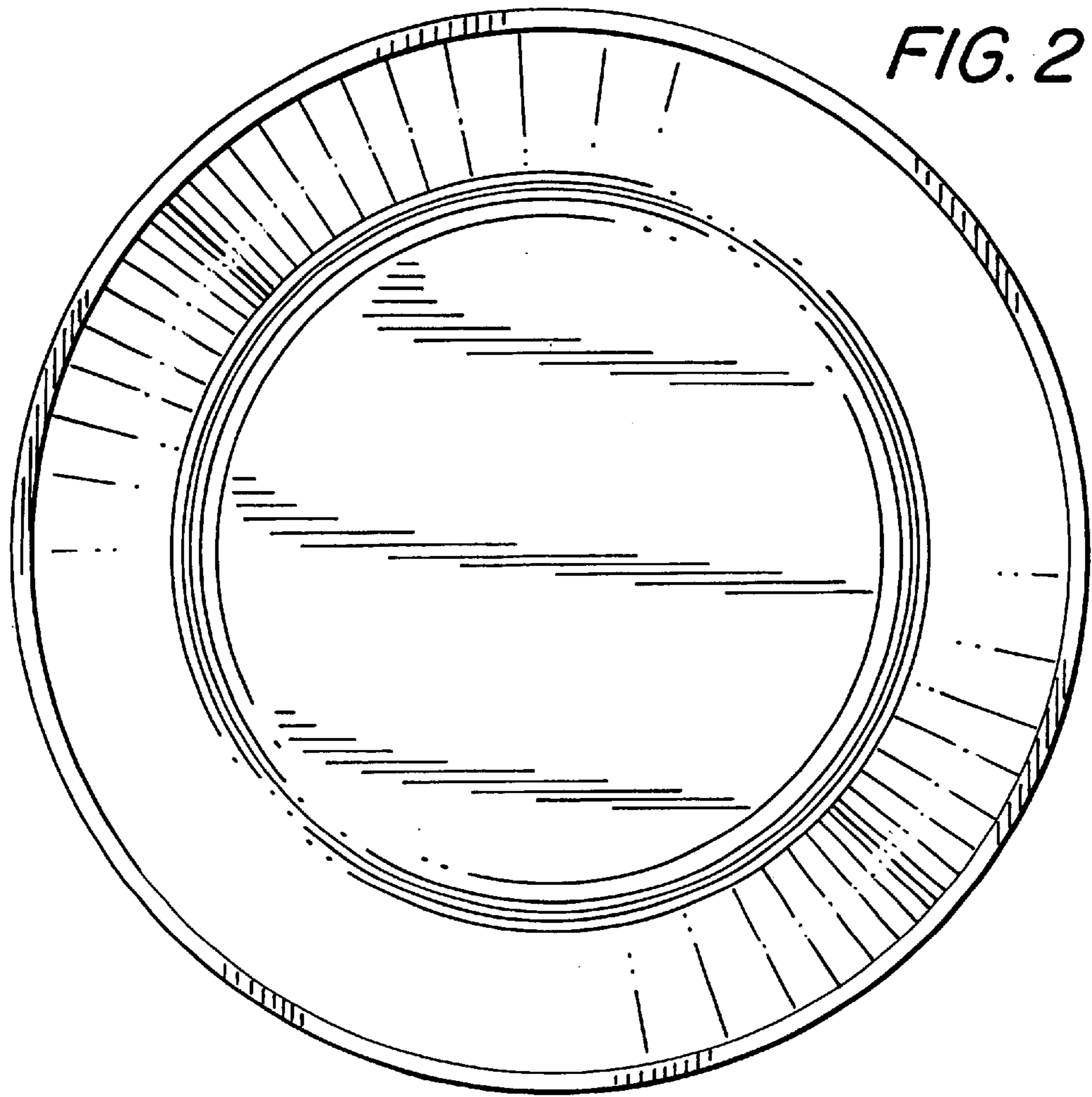


FIG. 3

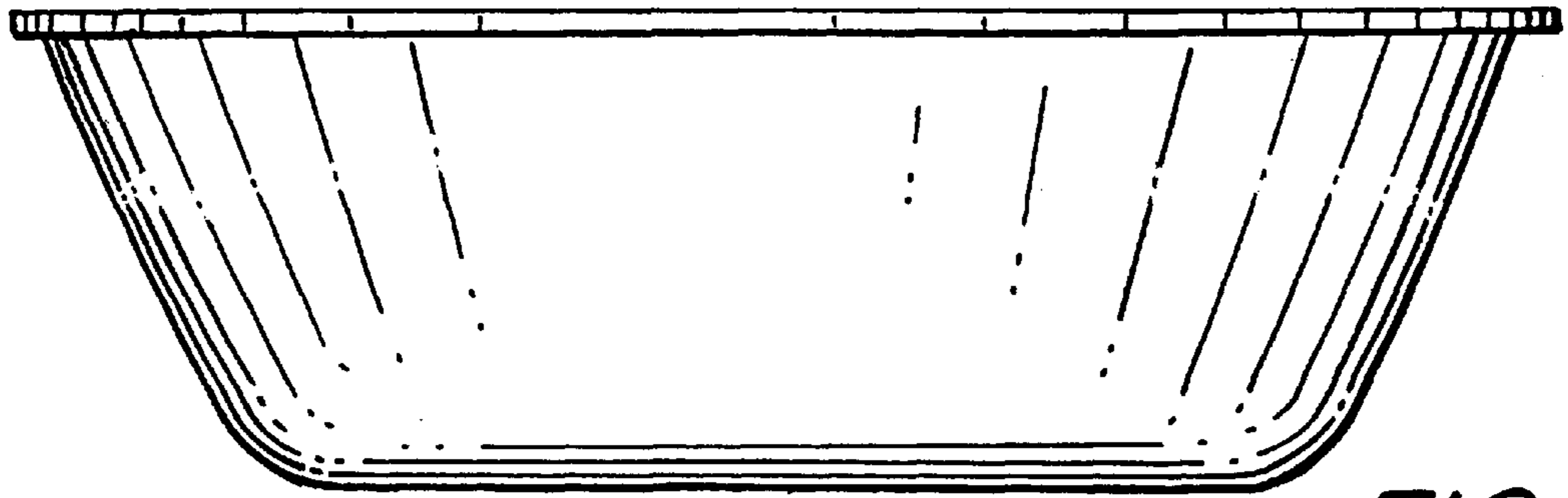


FIG. 4

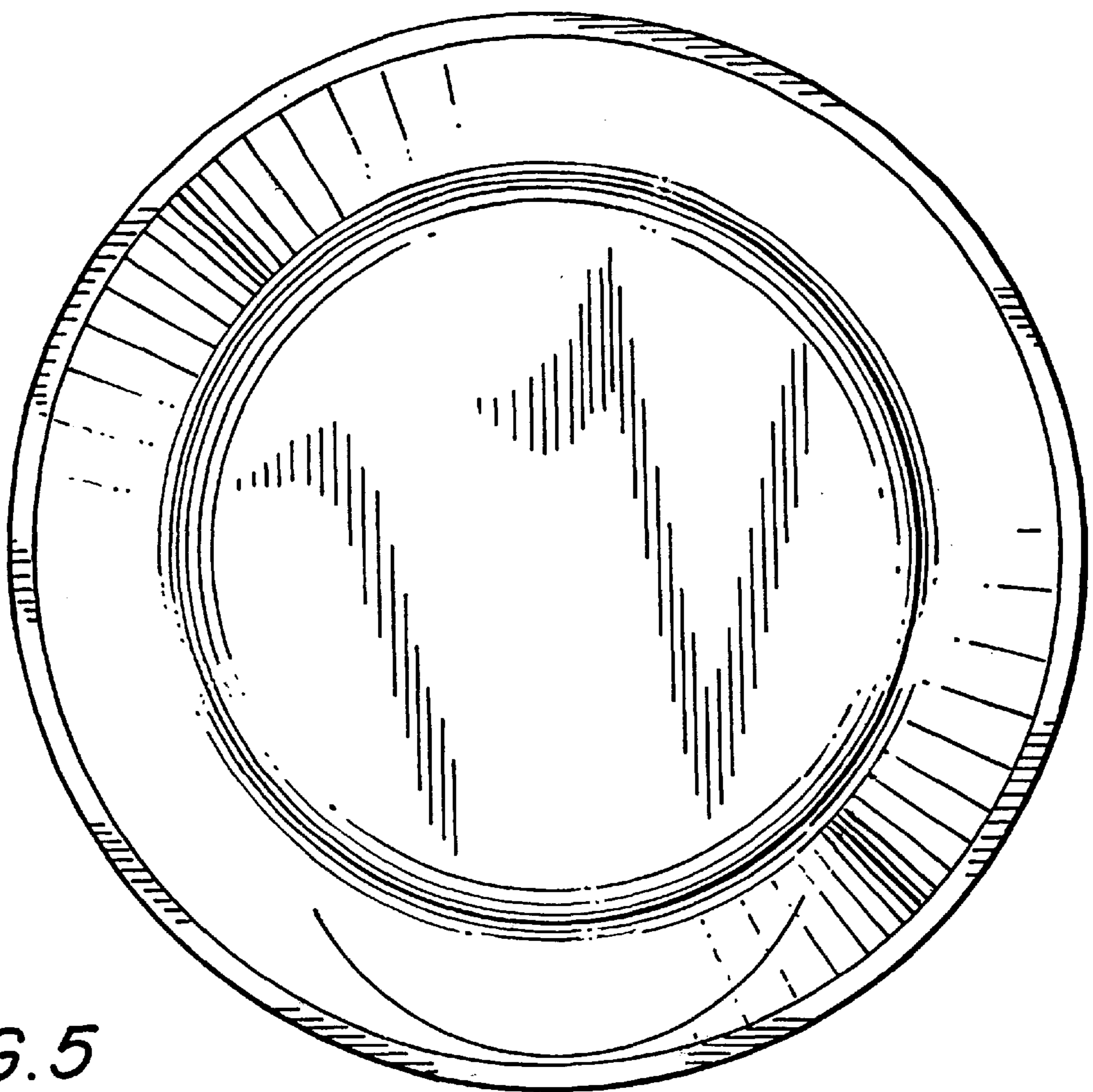


FIG. 5