



US00D468955S

(12) **United States Design Patent**  
**Park**

(10) **Patent No.:** **US D468,955 S**

(45) **Date of Patent:** **\*\* Jan. 21, 2003**

(54) **MICROWAVE OVEN**

(75) Inventor: **Il Ha Park**, Kyungki-do (KR)

(73) Assignee: **LG Electronics, Inc.**, Seoul (KR)

(\*\*) Term: **14 Years**

(21) Appl. No.: **29/159,294**

(22) Filed: **Apr. 19, 2002**

(30) **Foreign Application Priority Data**

Oct. 19, 2001 (KR) ..... 2001-29321

(51) **LOC (7) Cl.** ..... **07-02**

(52) **U.S. Cl.** ..... **D7/351**

(58) **Field of Search** ..... D7/350, 350.1,  
D7/350.3, 350.4, 351, 402, 405-406; 219/678,  
756-758; 126/273 A, 275 R, 275 E, 19 M,  
21 R; 99/341, 451

(56) **References Cited**

**U.S. PATENT DOCUMENTS**

- D360,103 S \* 7/1995 Kim ..... D7/351
- D387,609 S \* 12/1997 Noda et al. .... D7/351
- D409,437 S \* 5/1999 Nakano et al. .... D7/351
- D422,834 S \* 4/2000 Leverrier ..... D7/351

- D423,868 S \* 5/2000 Shoji et al. .... D7/351
- D429,595 S \* 8/2000 Kusachi et al. .... D7/351
- D432,347 S \* 10/2000 Cha ..... D7/351
- D432,853 S \* 10/2000 Jun et al. .... D7/351
- D436,493 S \* 1/2001 Ozaki ..... D7/351

\* cited by examiner

*Primary Examiner*—Ruth McInroy

(74) *Attorney, Agent, or Firm*—Birch, Stewart, Kolasch & Birch, LLP

(57) **CLAIM**

I claim the ornamental design for a microwave oven, as shown and described.

**DESCRIPTION**

FIG. 1 is a perspective view of a microwave oven showing my new design;  
 FIG. 2 is a front view thereof;  
 FIG. 3 is a rear view thereof;  
 FIG. 4 is a left-side view thereof;  
 FIG. 5 is a right-side view thereof;  
 FIG. 6 is a top plan view thereof;  
 FIG. 7 is a bottom plan view thereof; and,  
 FIG. 8 is a perspective view thereof, showing the article in use.

**1 Claim, 5 Drawing Sheets**

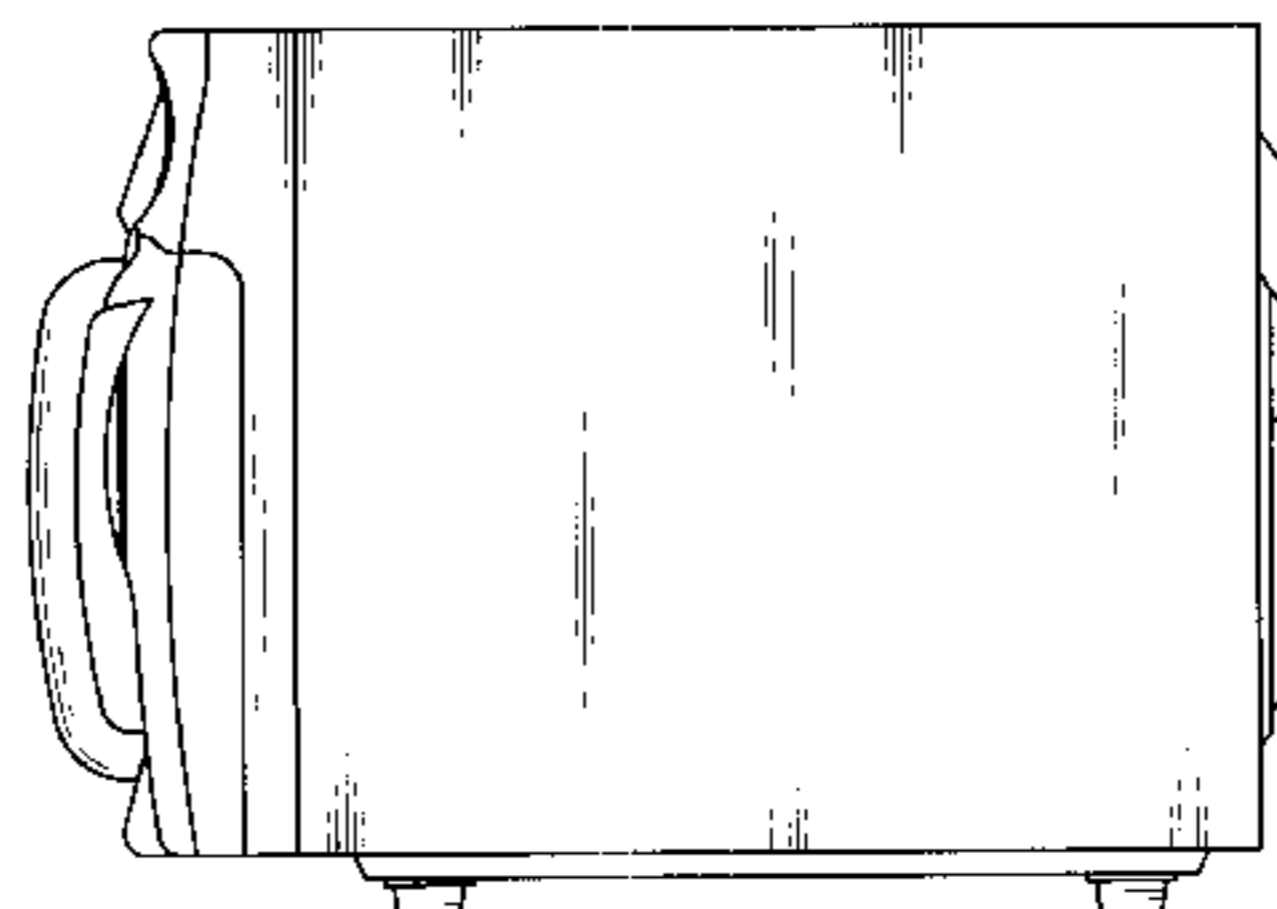
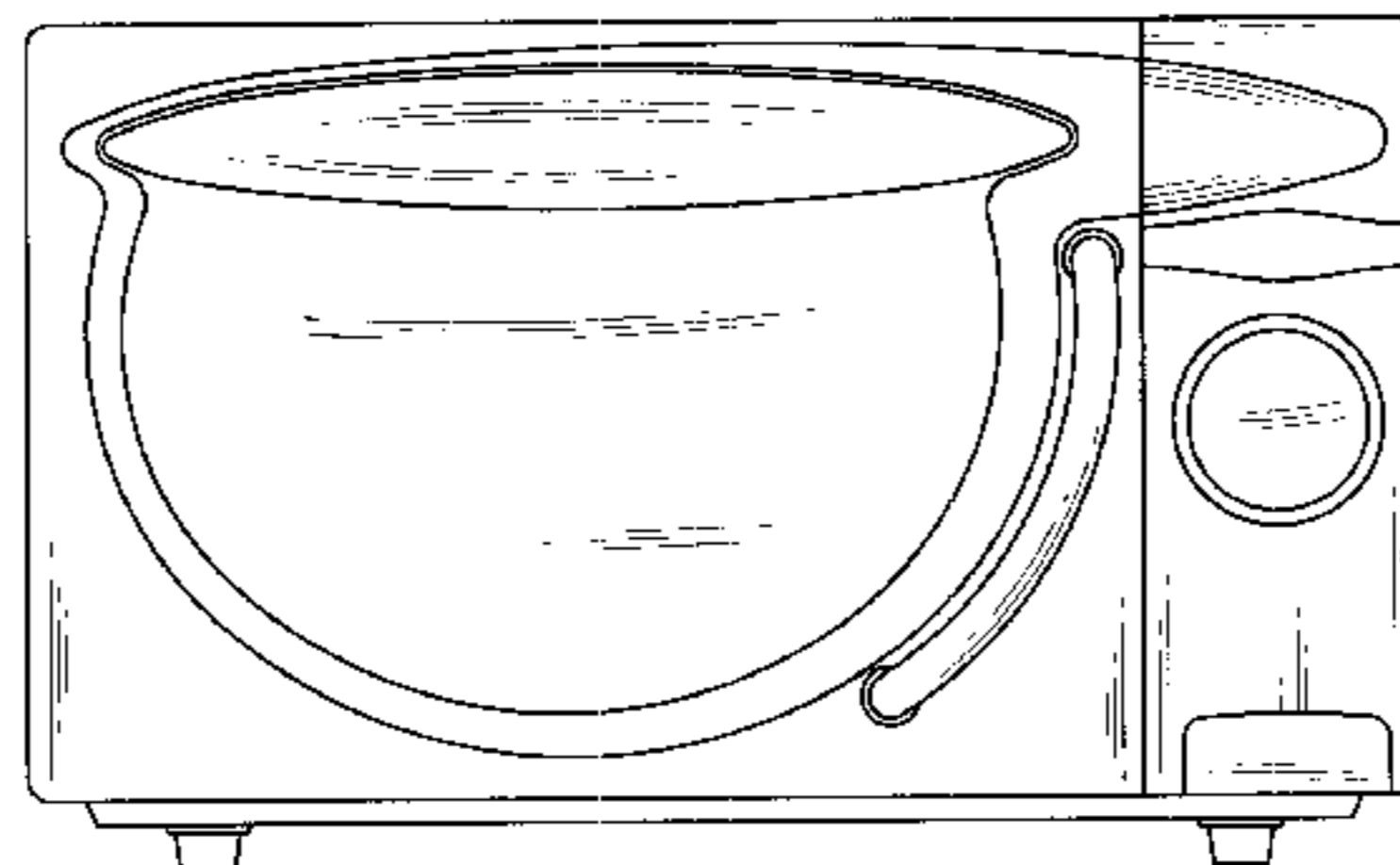
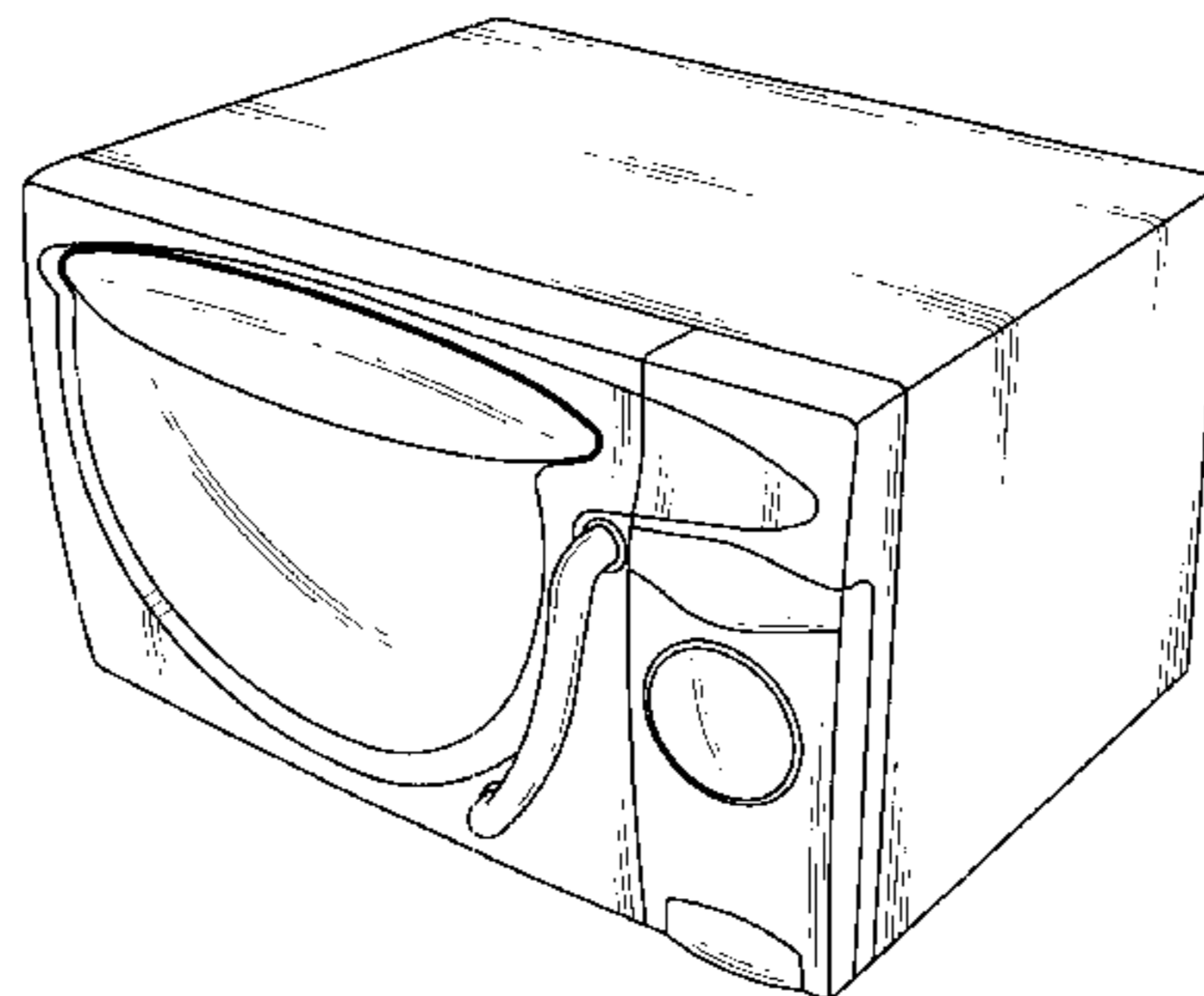


FIG. 1

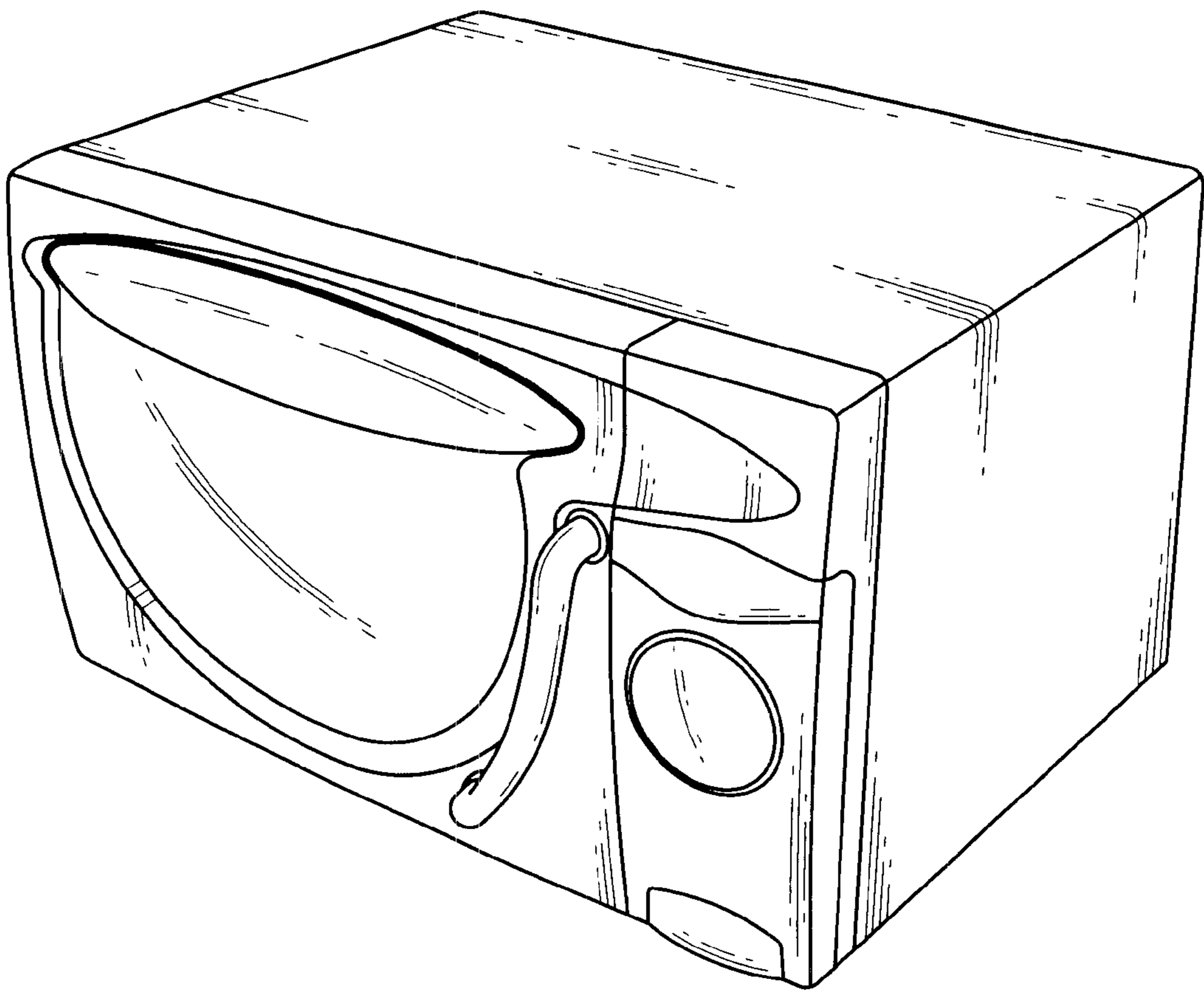


FIG.2

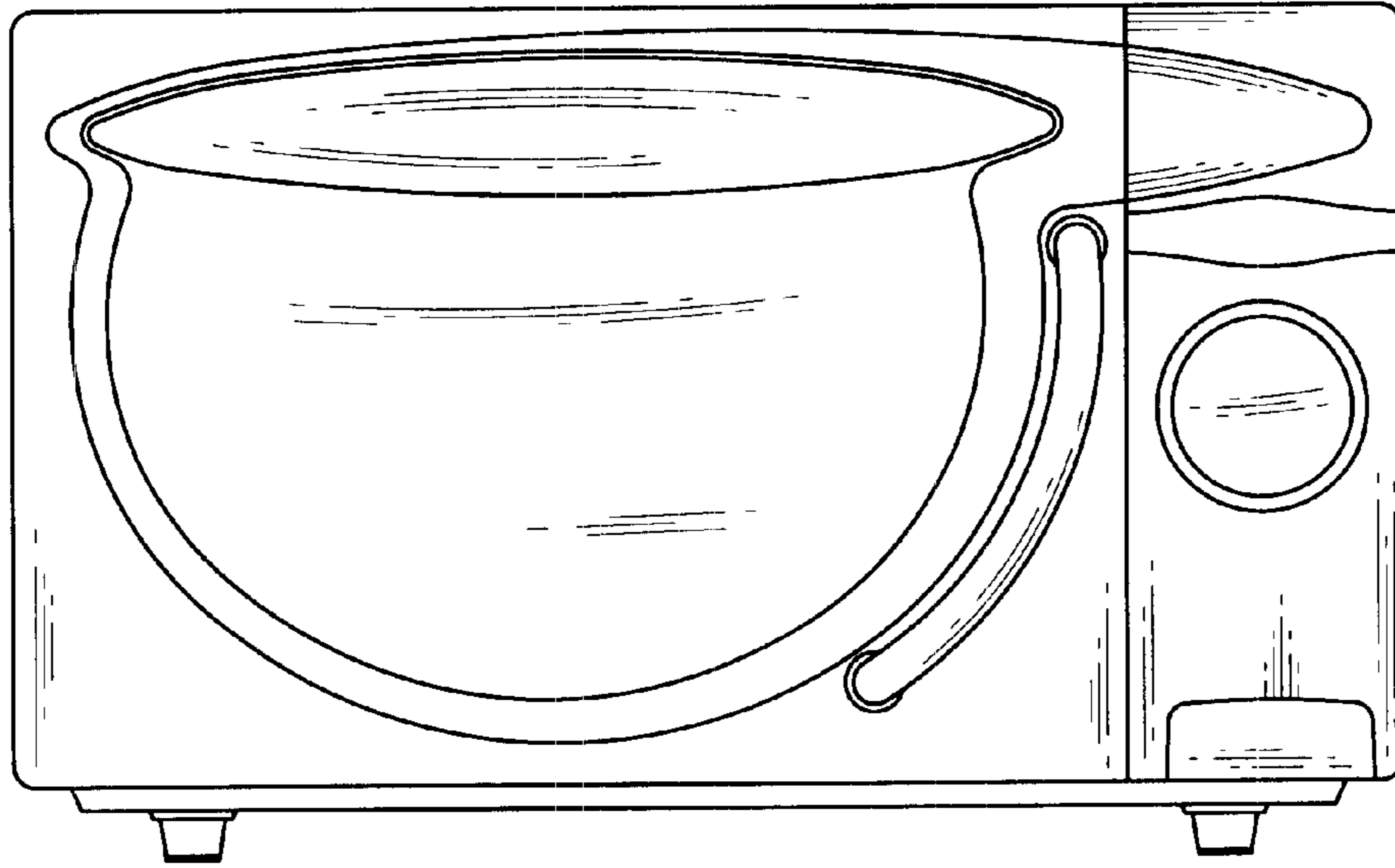


FIG.3

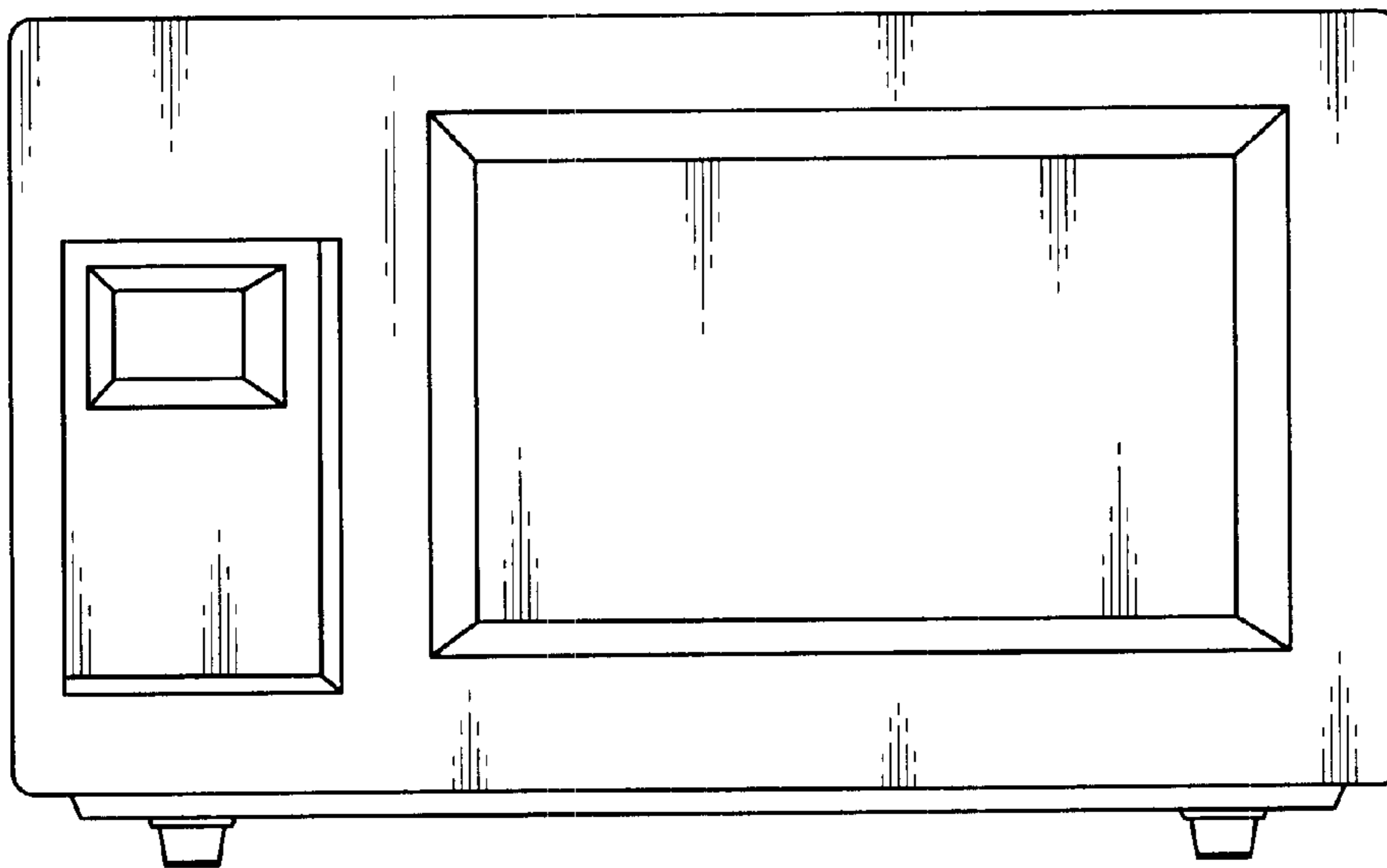


FIG.4

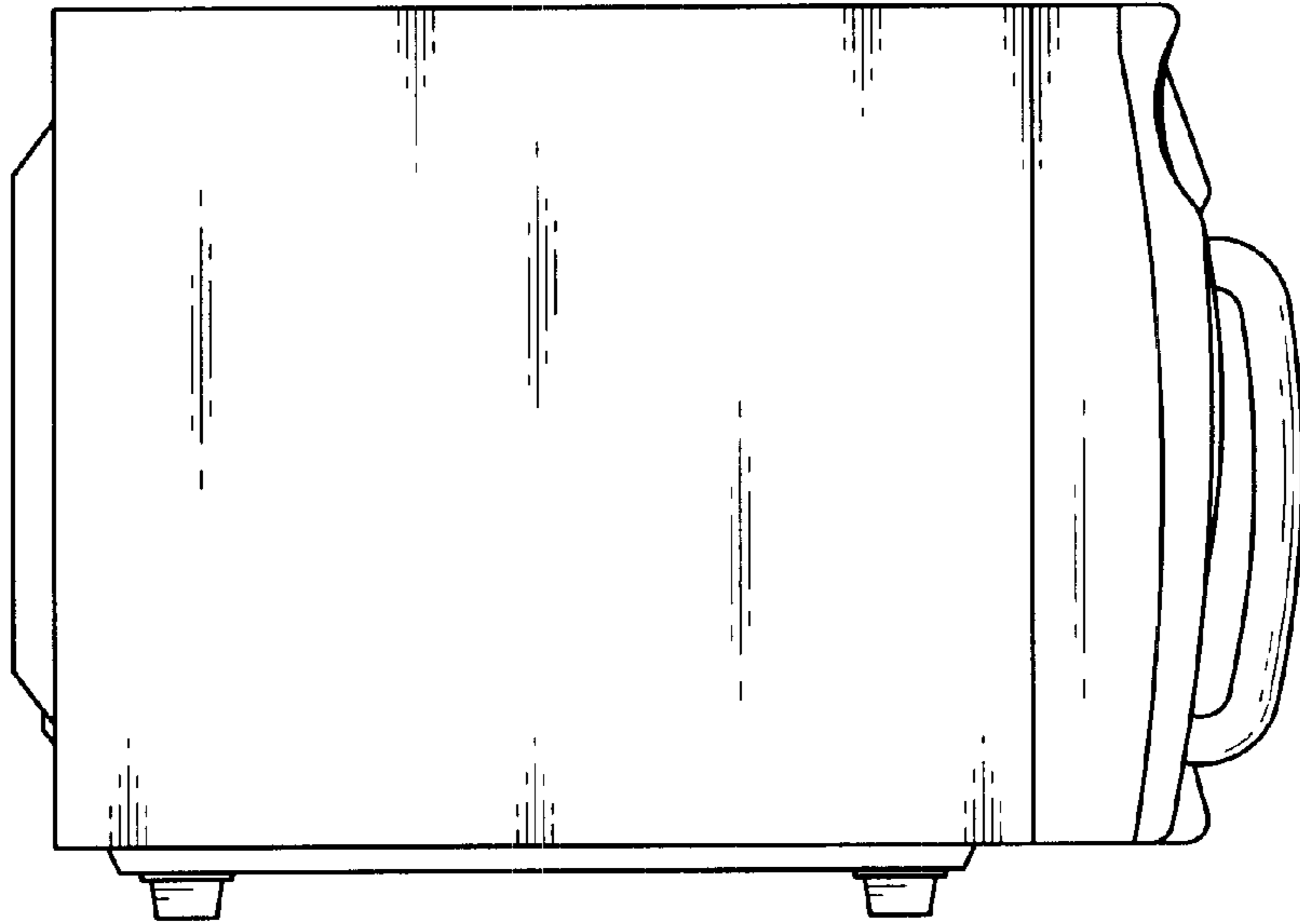


FIG.5

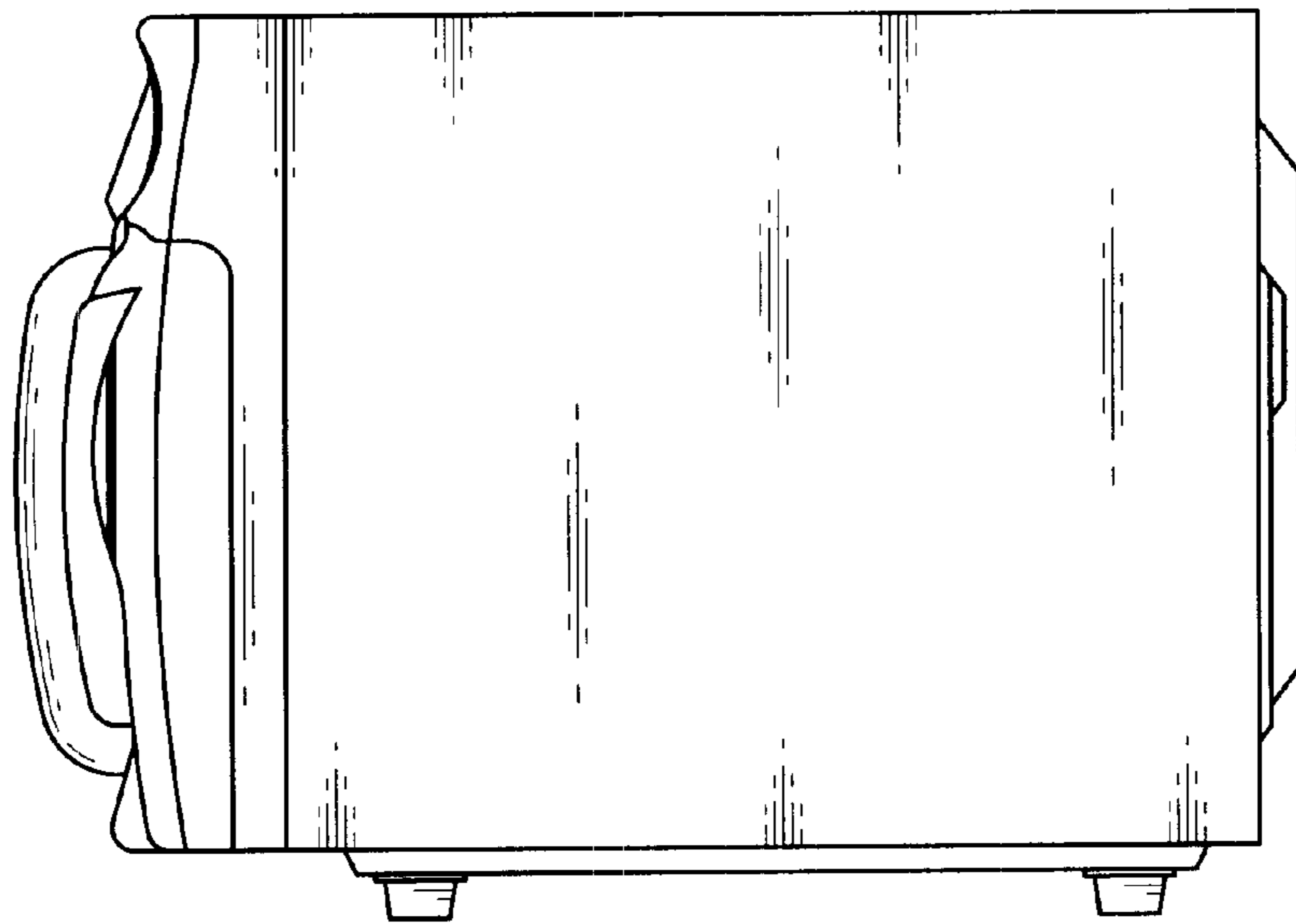


FIG.6

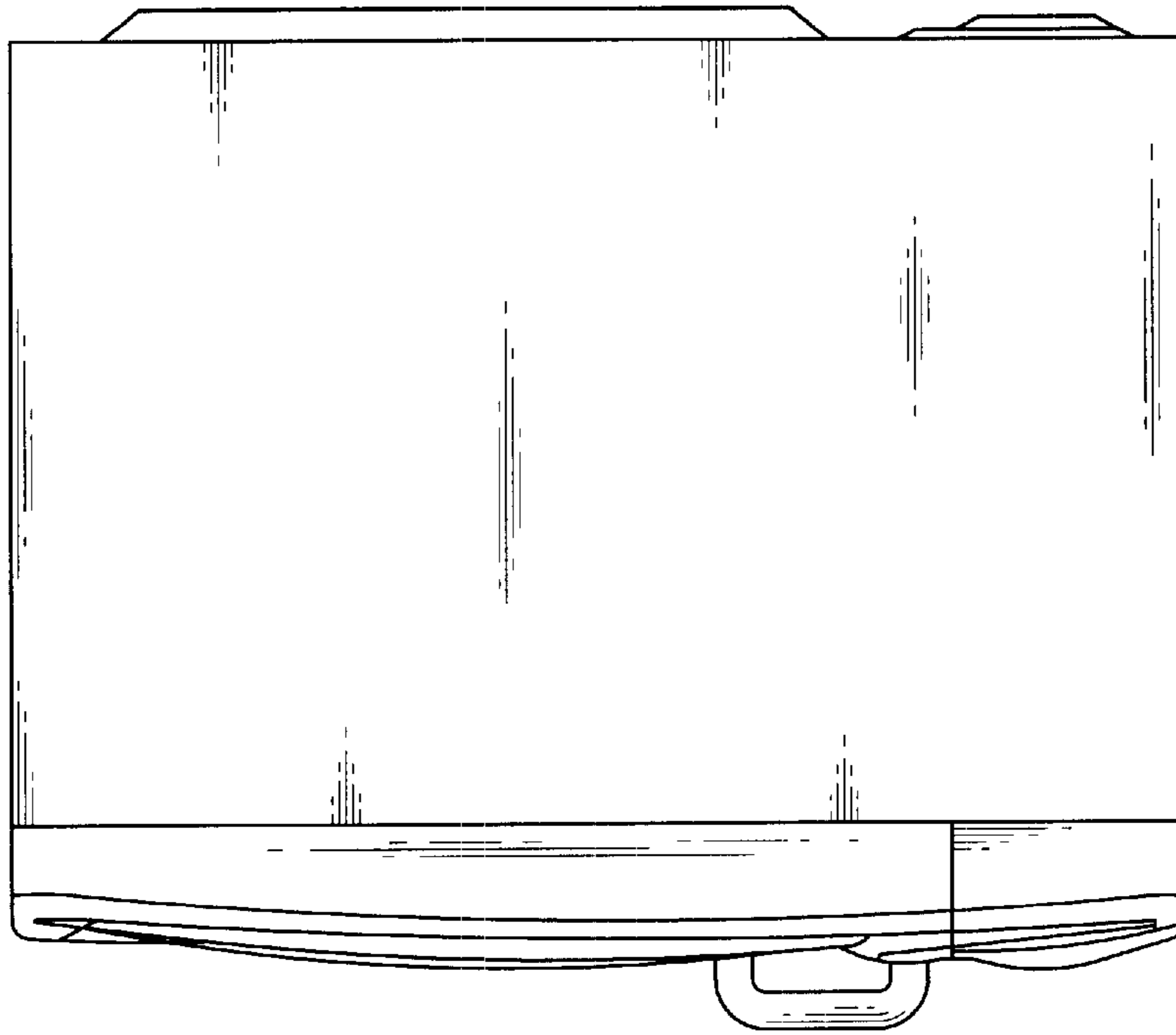


FIG.7

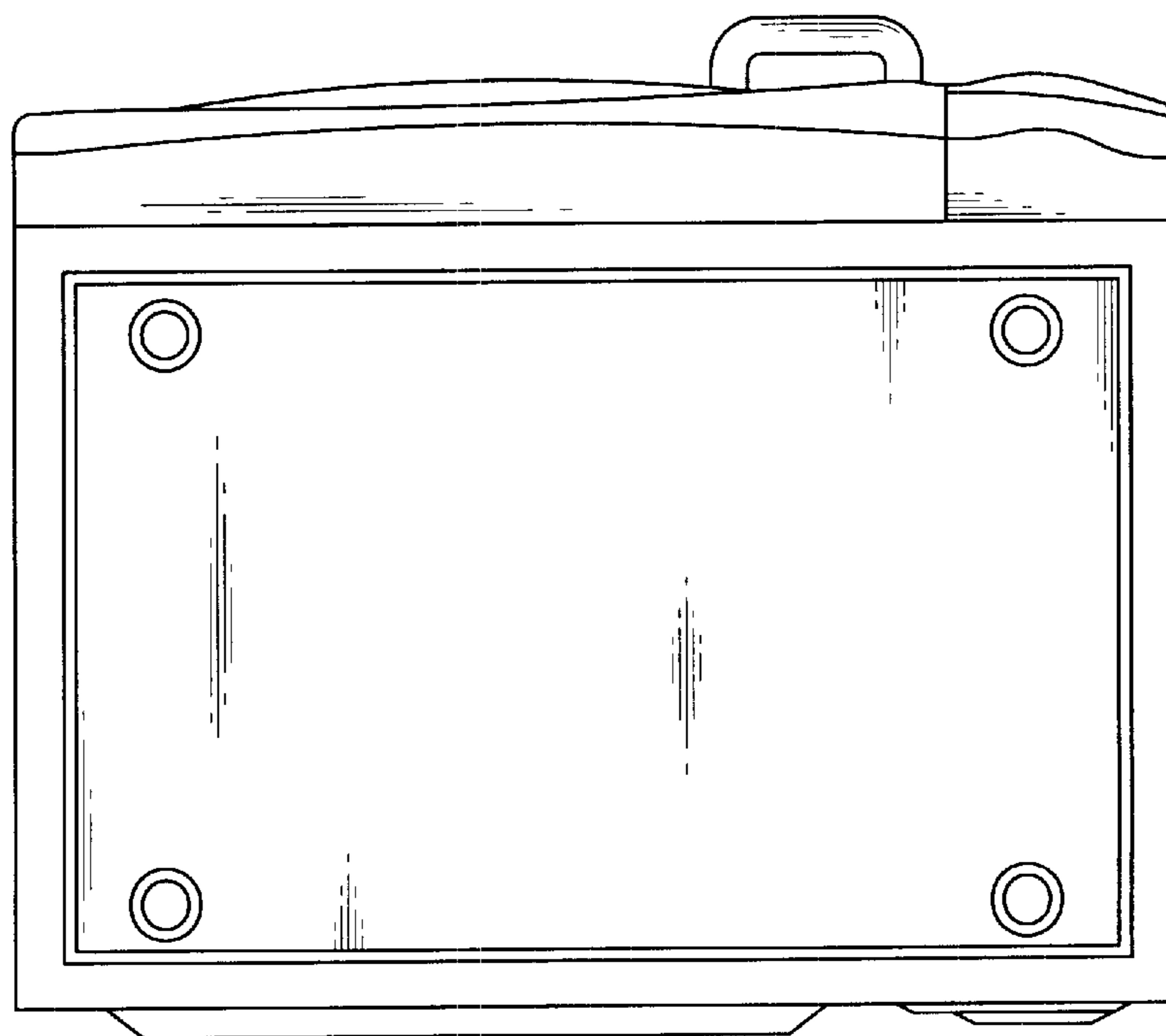


FIG. 8

