



US00D468953S

(12) **United States Design Patent**
Graham et al.

(10) **Patent No.:** **US D468,953 S**

(45) **Date of Patent:** **** Jan. 21, 2003**

(54) **COOKING GRILL**

(75) Inventors: **Kevin Graham**, Carlsbad, NM (US);
Rojelio R. Jimenez, Carlsbad, NM (US)

(73) Assignee: **Dark Canyon Outdoor Equipment LLC**, Carlsbad, NM (US)

(**) Term: **14 Years**

(21) Appl. No.: **29/147,754**

(22) Filed: **Sep. 4, 2001**

(51) **LOC (7) Cl.** **07-02**

(52) **U.S. Cl.** **D7/332**

(58) **Field of Search** D7/332-338, 402-404,
D7/407-409; 126/25 R, 9 R, 41 R, 38,
40, 50; 99/422, 425, 444

(56) **References Cited**

U.S. PATENT DOCUMENTS

4,809,671 A * 3/1989 Vallejo, Jr. 126/39 R
D382,765 S * 8/1997 Kellermann D7/332

D386,936 S * 12/1997 Stone et al. D7/332
D387,240 S * 12/1997 Simmonds et al. D7/339
D444,991 S * 7/2001 Measom D7/337
D447,664 S * 9/2001 Stephens et al. D7/337

* cited by examiner

Primary Examiner—Ruth McInroy

(74) *Attorney, Agent, or Firm*—Fitch, Even, Tabin & Flannery

(57) **CLAIM**

We claim the ornamental design for a cooking grill, as shown and described.

DESCRIPTION

FIG. 1 is a perspective view of a cooking grill showing my new design;
FIG. 2 is a front-elevational view thereof;
FIG. 3 is a right side elevational view thereof;
FIG. 4 is a left side elevational view thereof;
FIG. 5 is a top plan view thereof; and,
FIG. 6 is a bottom plan view thereof.

1 Claim, 3 Drawing Sheets

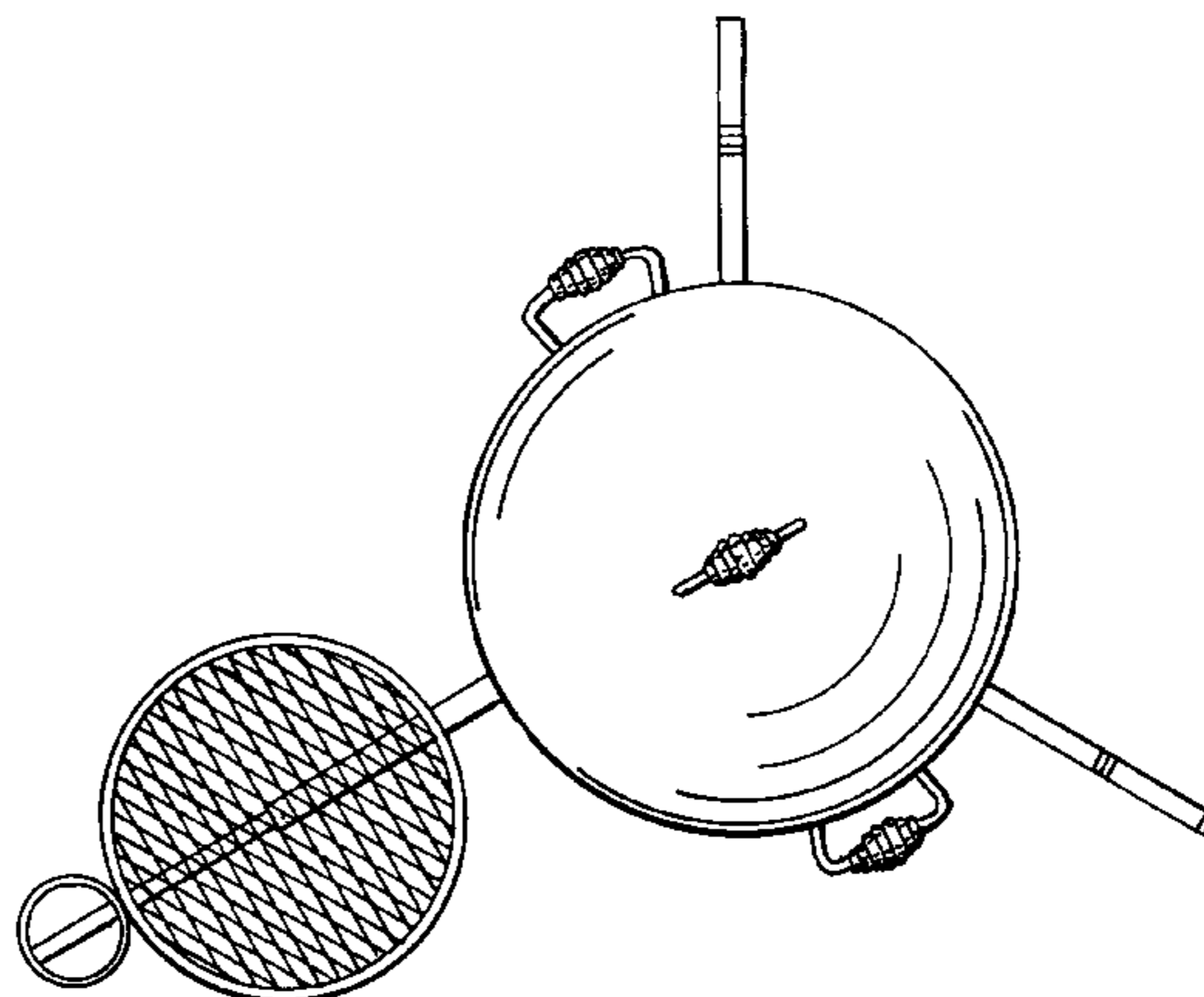
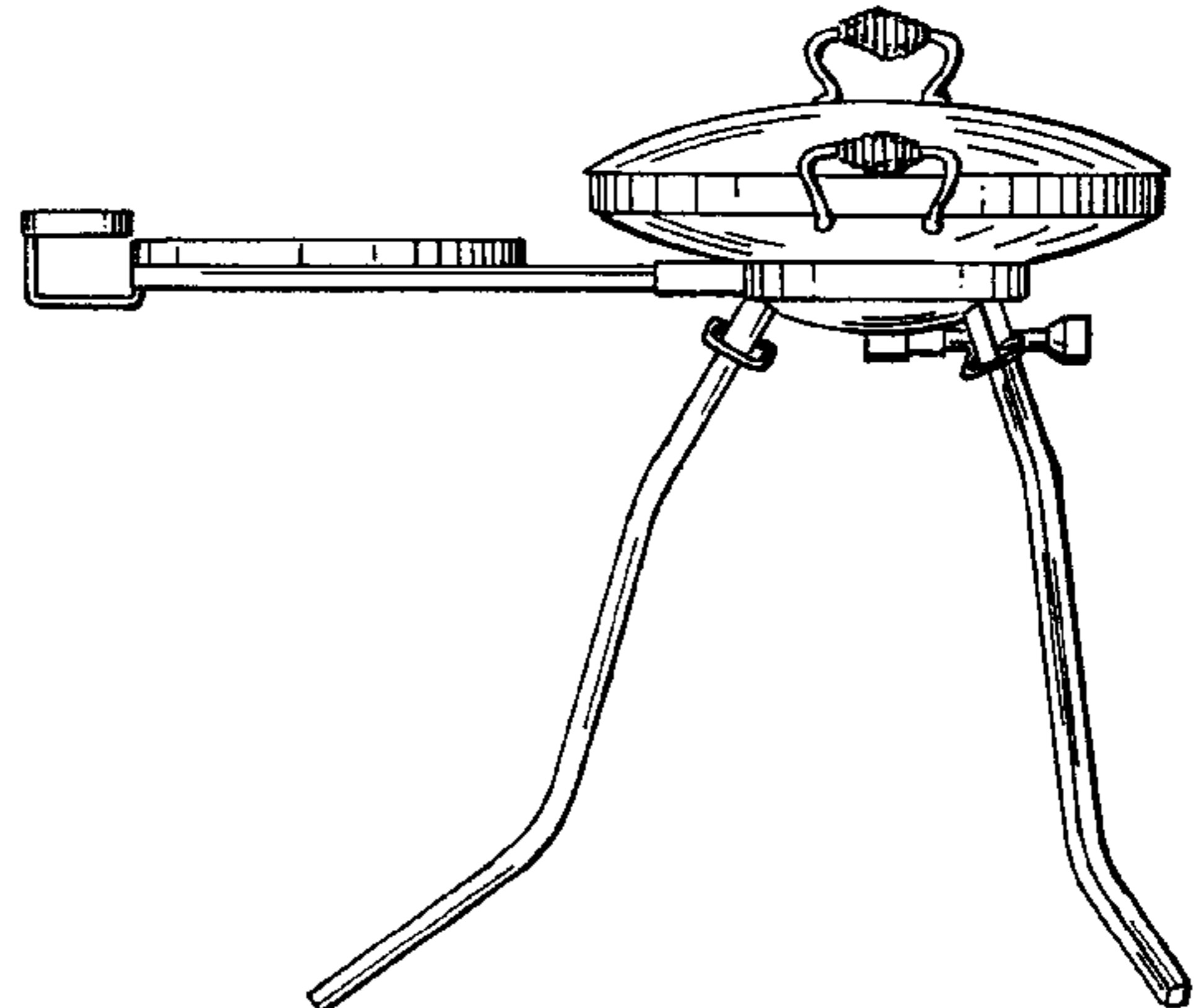
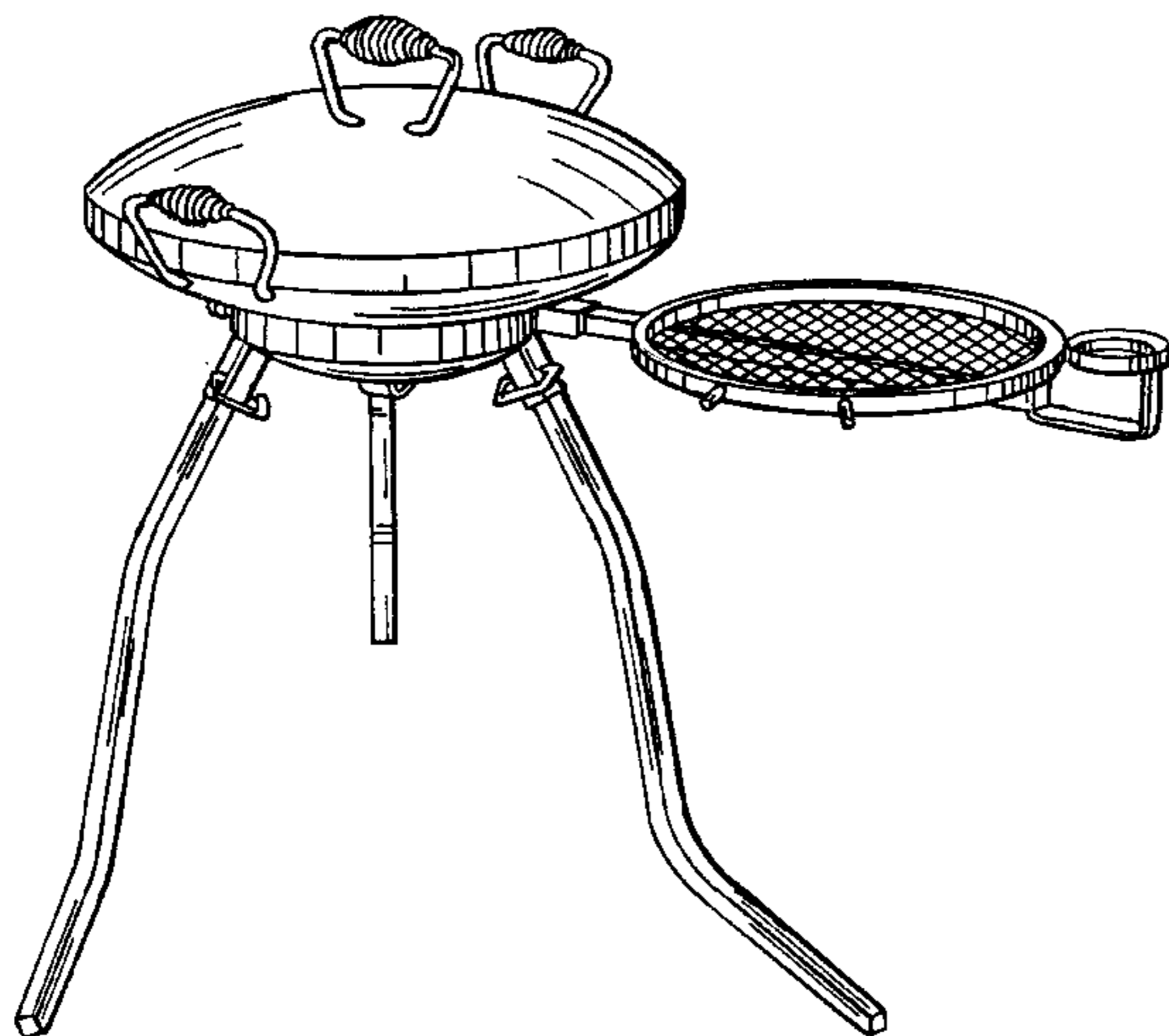


Fig. 1

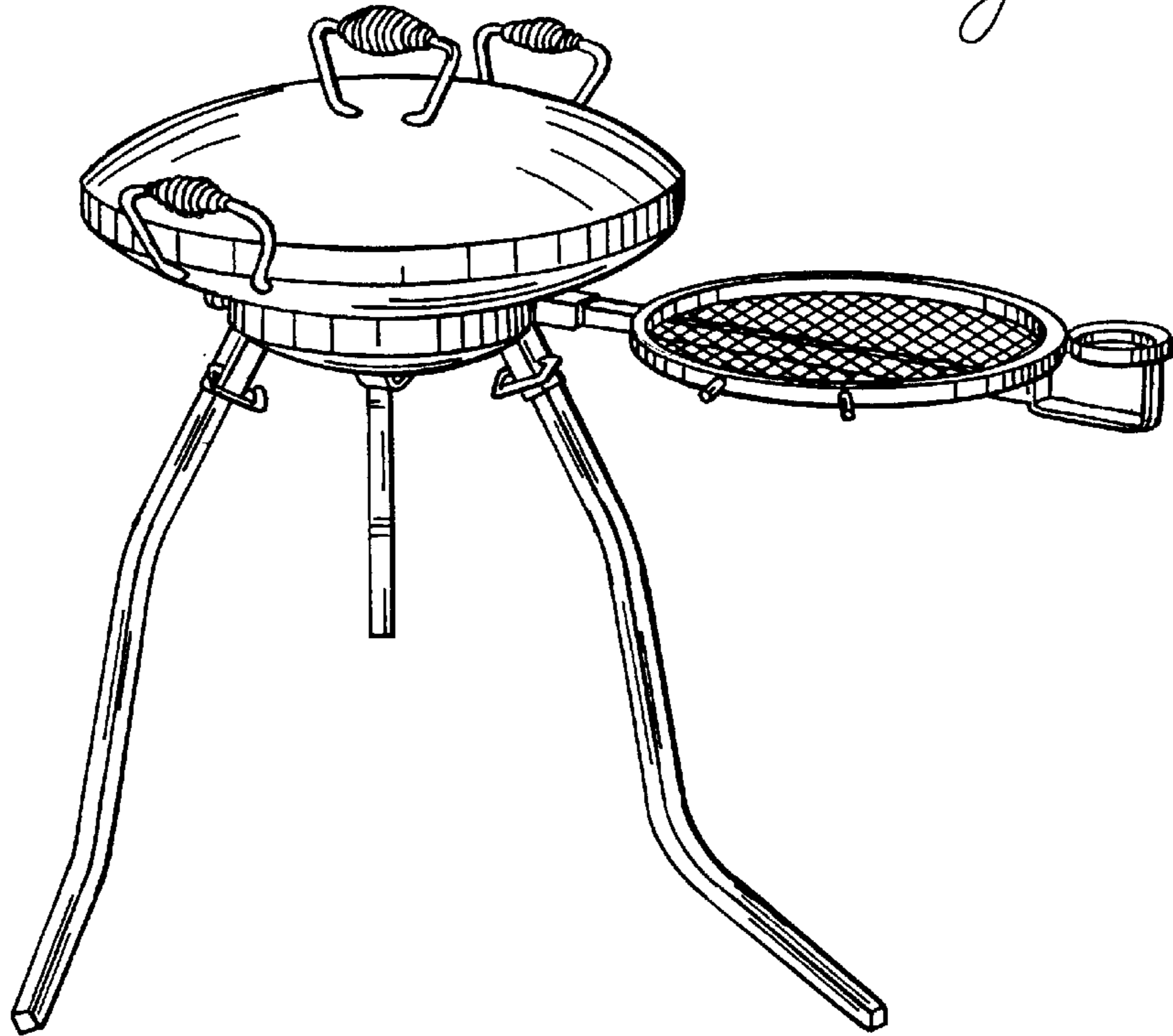


Fig. 2

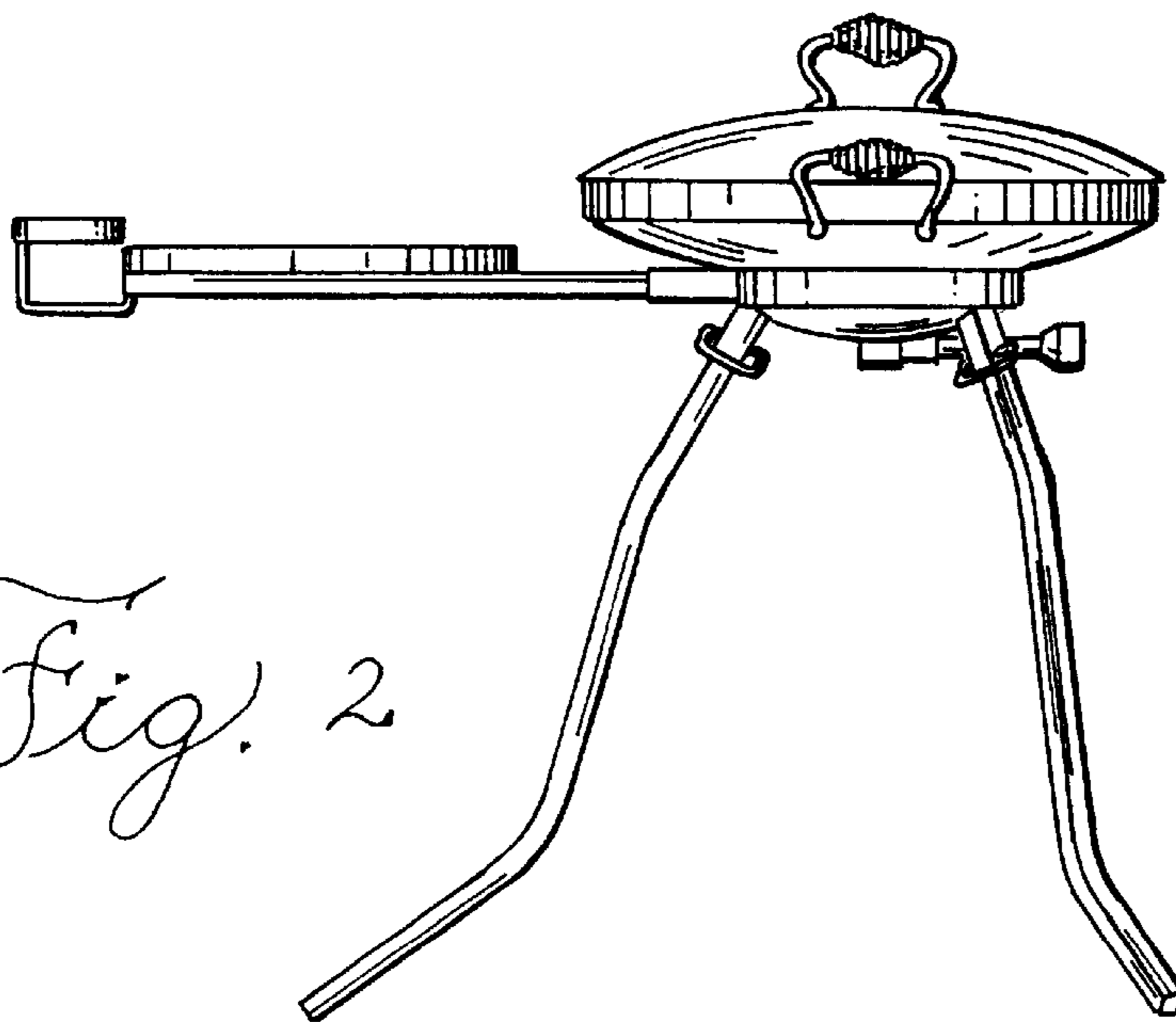


Fig. 3

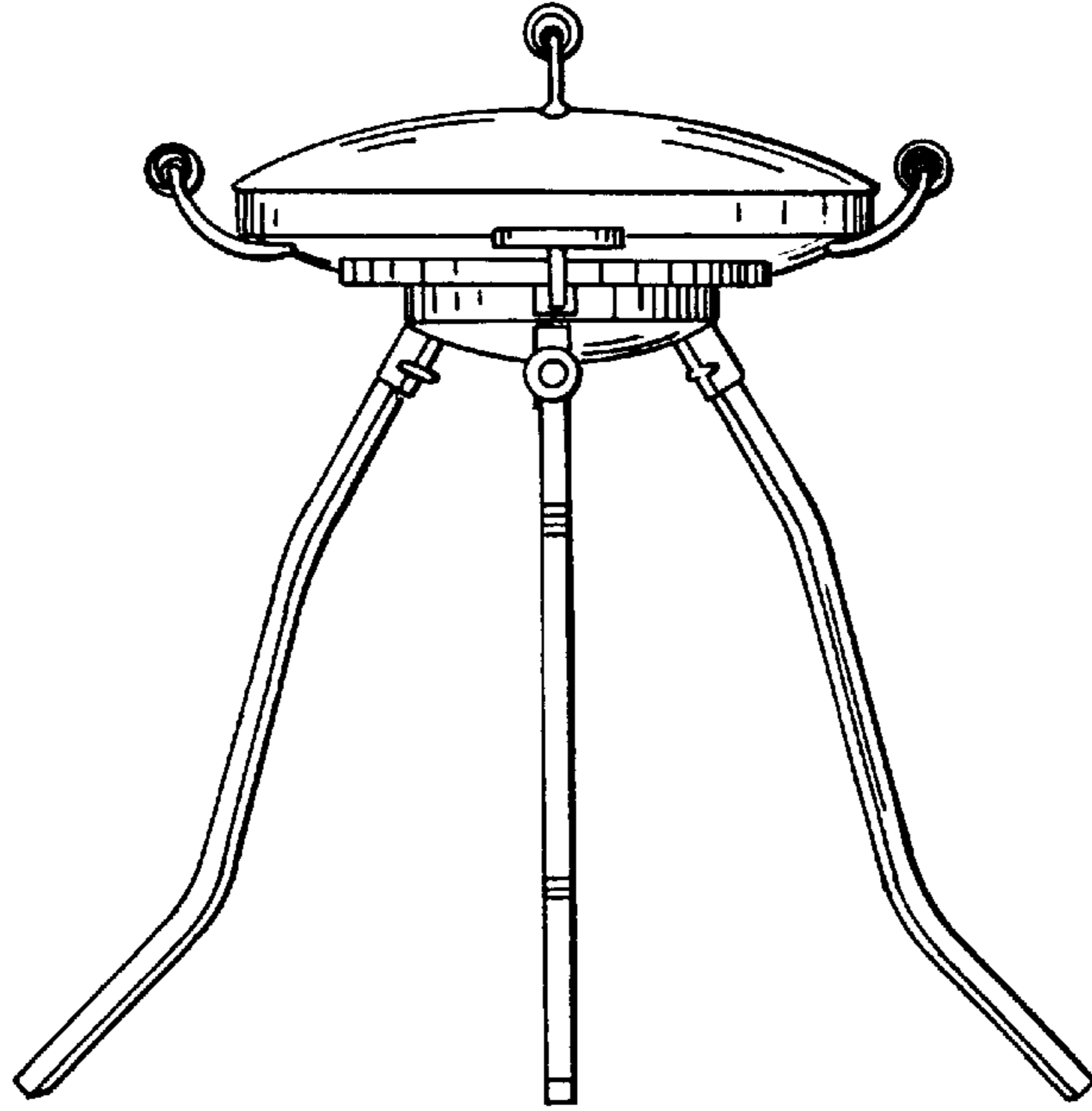


Fig. 4

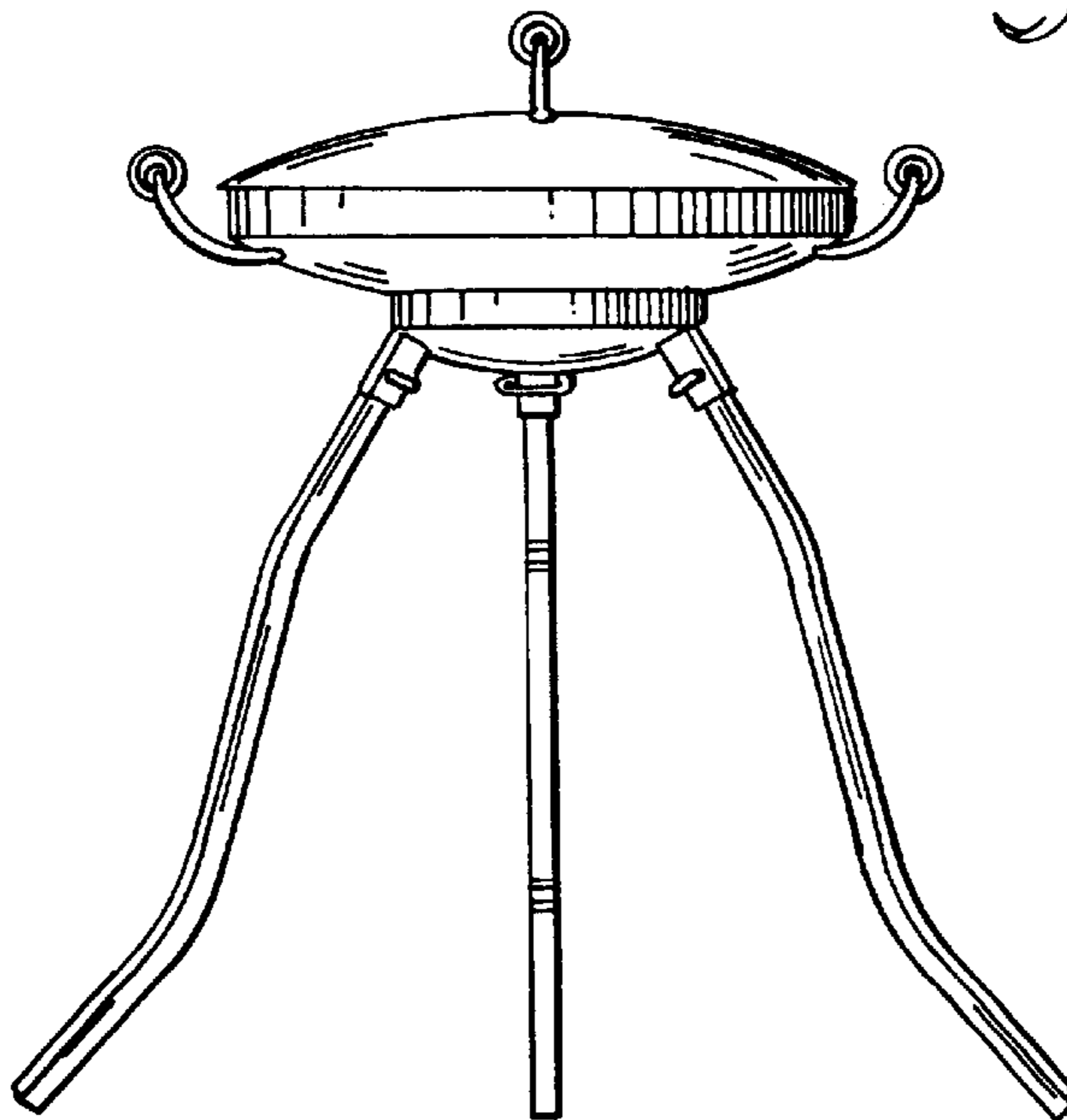


Fig. 5

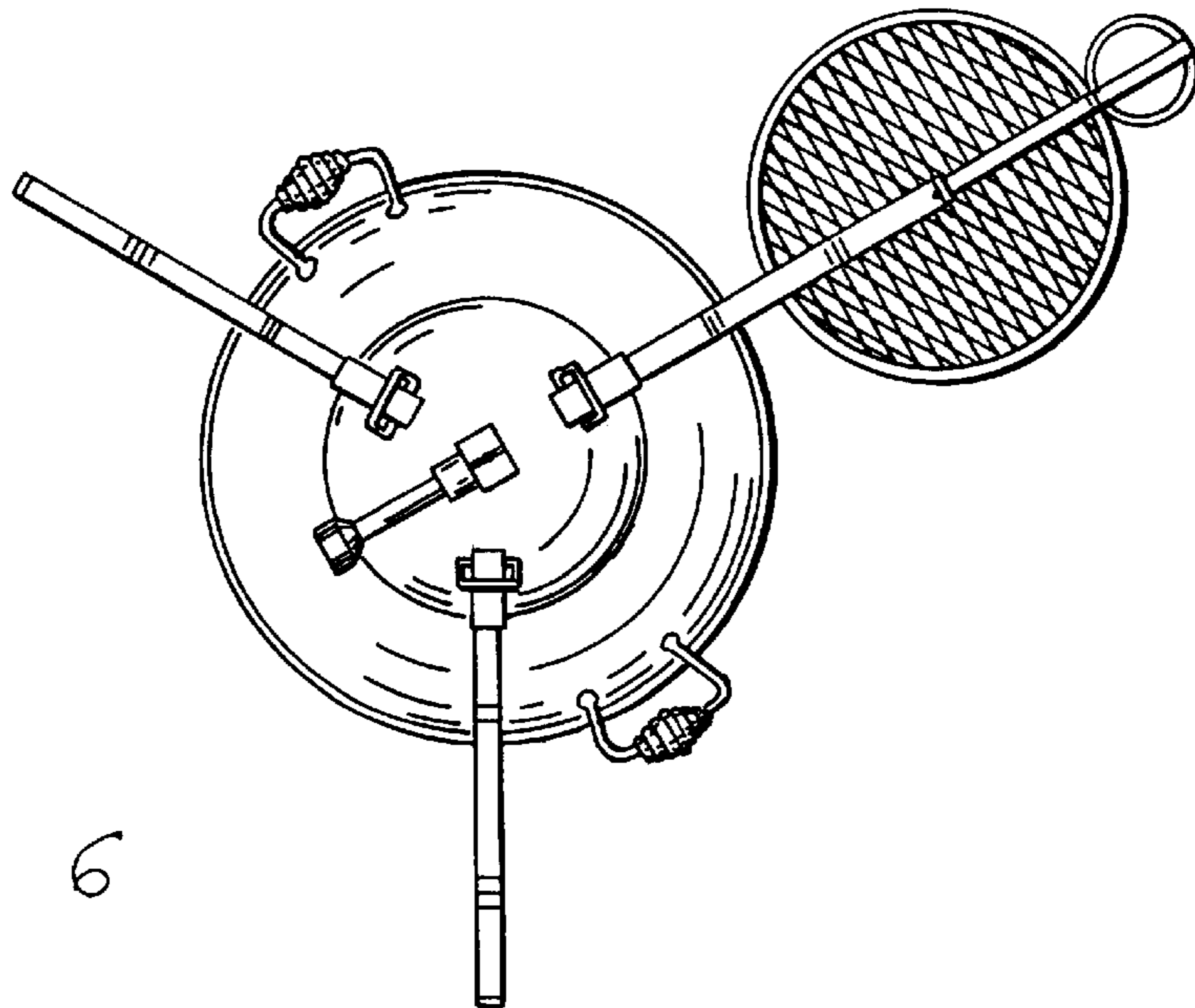
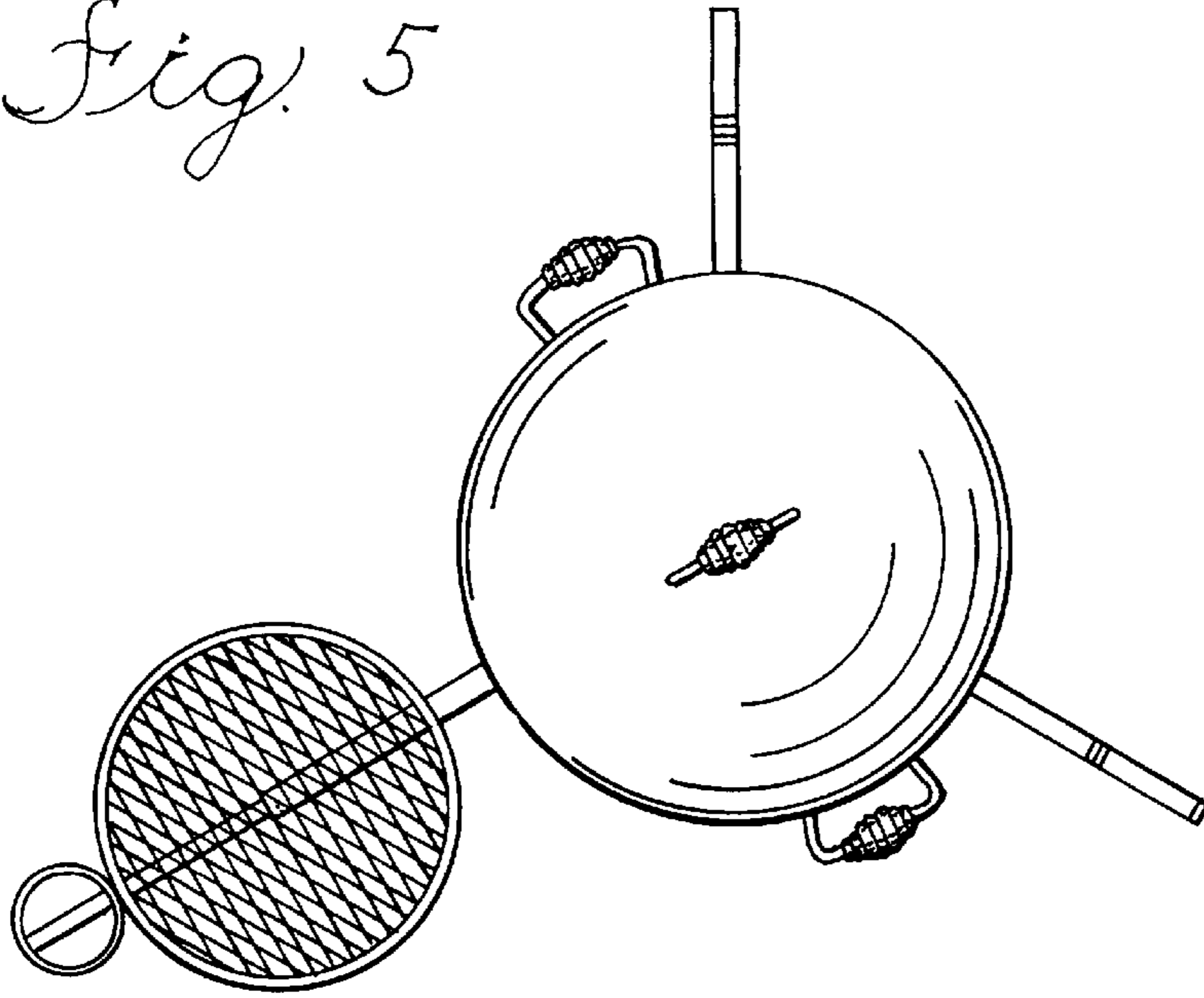


Fig. 6