



US00D468952S

(12) **United States Design Patent**  
**Graham et al.**

(10) **Patent No.:** **US D468,952 S**

(45) **Date of Patent:** **\*\* Jan. 21, 2003**

(54) **COOKING GRILL**

(75) Inventors: **Kevin Graham**, Carlsbad, NM (US);  
**Rojelio R. Jimenez**, Carlsbad, NM (US)

(73) Assignee: **Dark Canyon Outdoor Equipment LLC**, Carlsbad, NM (US)

(\*\*) Term: **14 Years**

(21) Appl. No.: **29/147,720**

(22) Filed: **Sep. 4, 2001**

(51) **LOC (7) Cl.** ..... **07-02**

(52) **U.S. Cl.** ..... **D7/332**

(58) **Field of Search** ..... D7/332-338, 402-404,  
D7/407-409; 126/25 R, 9 R, 41 R, 38,  
40, 50; 99/422, 425, 444

(56) **References Cited**

**U.S. PATENT DOCUMENTS**

2,094,915 A \* 10/1937 Dawson ..... 126/25 R  
D131,939 S \* 4/1942 Robinson ..... D7/332  
D253,931 S \* 1/1980 DeVischer et al. .... D7/332

D286,002 S \* 10/1986 Brix ..... D7/332  
4,635,613 A \* 1/1987 Tucker et al. .... 126/25 R  
D350,045 S \* 8/1994 Stuart ..... D7/332  
D361,467 S \* 8/1995 Kabayama ..... D7/334  
D389,009 S \* 1/1998 Baykal ..... D7/335  
6,065,466 A \* 5/2000 Baykal ..... 126/41 R  
D449,490 S \* 10/2001 Frederick ..... D7/332

\* cited by examiner

*Primary Examiner*—Ruth McInroy

(74) *Attorney, Agent, or Firm*—Fitch, Even, Tabin & Flannery

(57) **CLAIM**

We claim the ornamental design for a cooking grill, as shown and described.

**DESCRIPTION**

FIG. 1 is a perspective view of a cooking grill showing my new design;

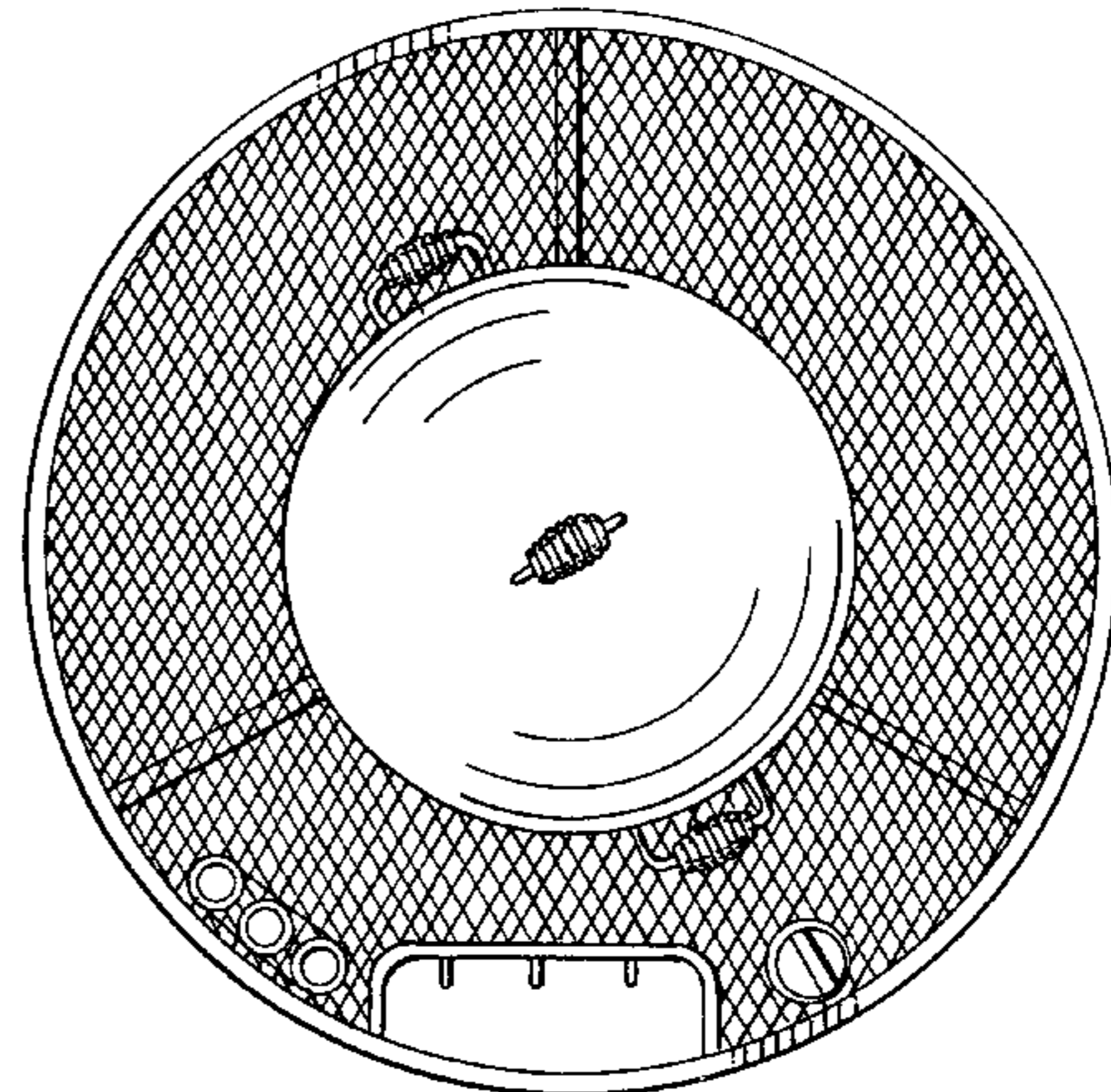
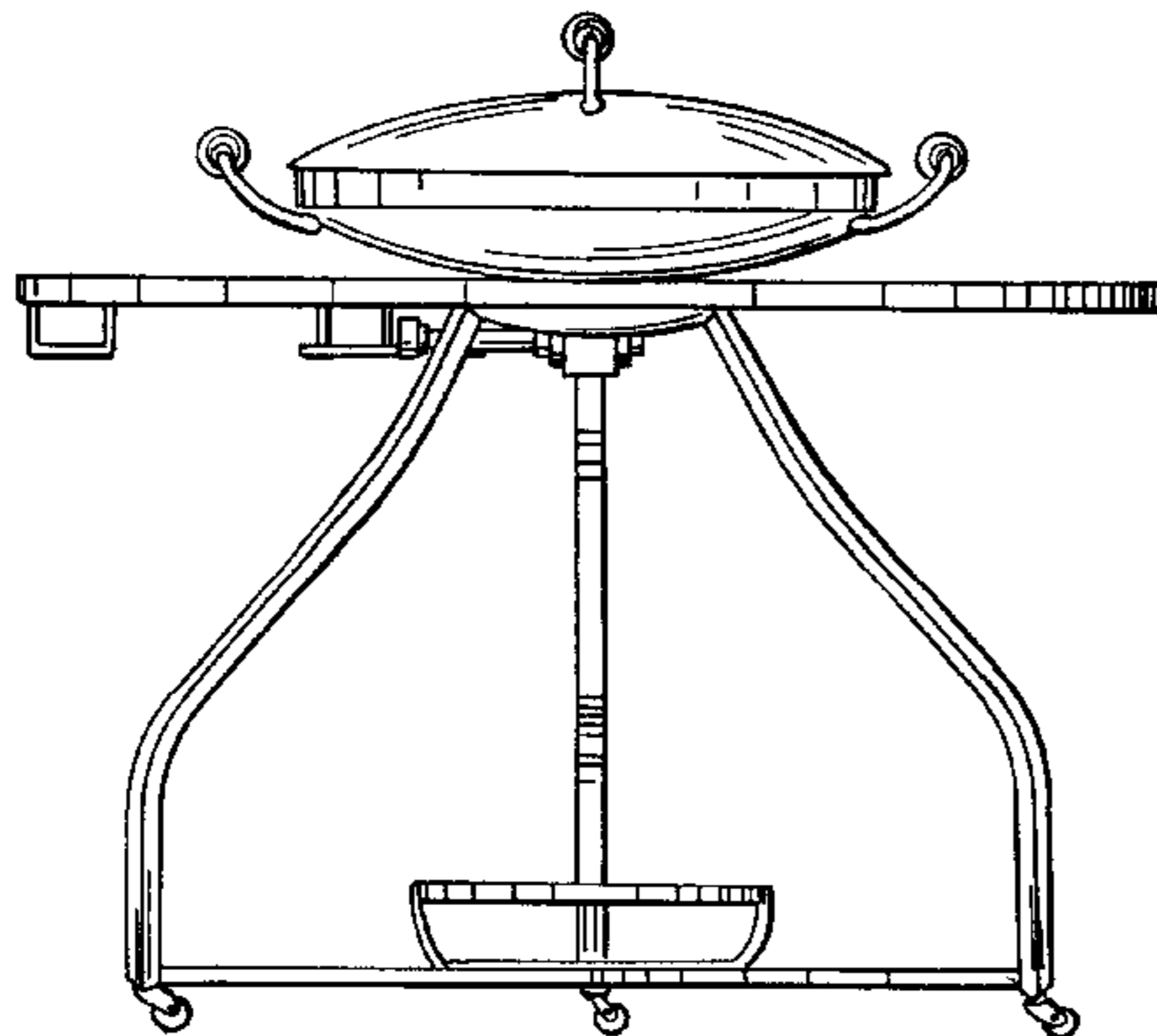
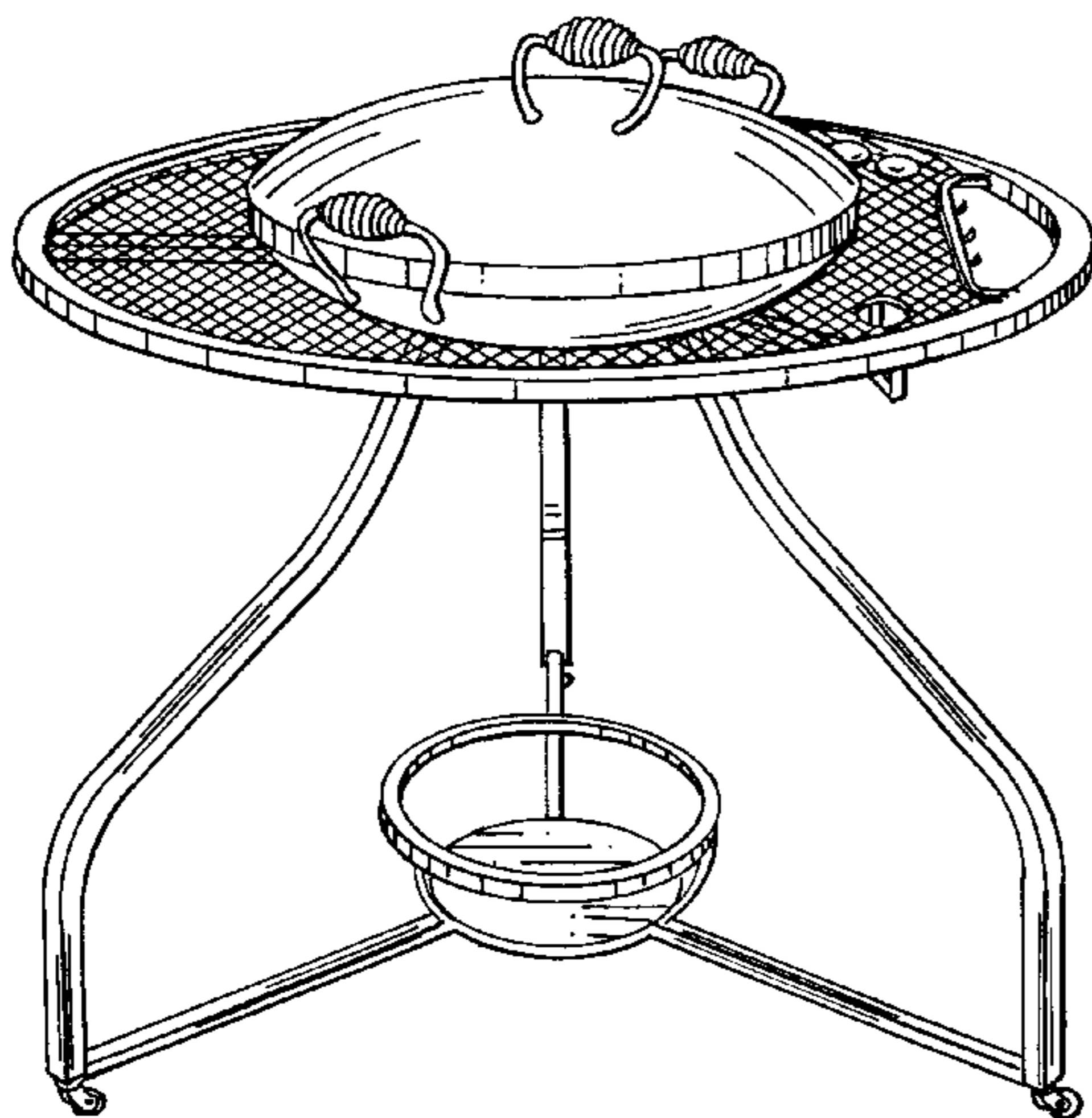
FIG. 2 is a front-elevational view thereof;

FIG. 3 is a top plan view thereof;

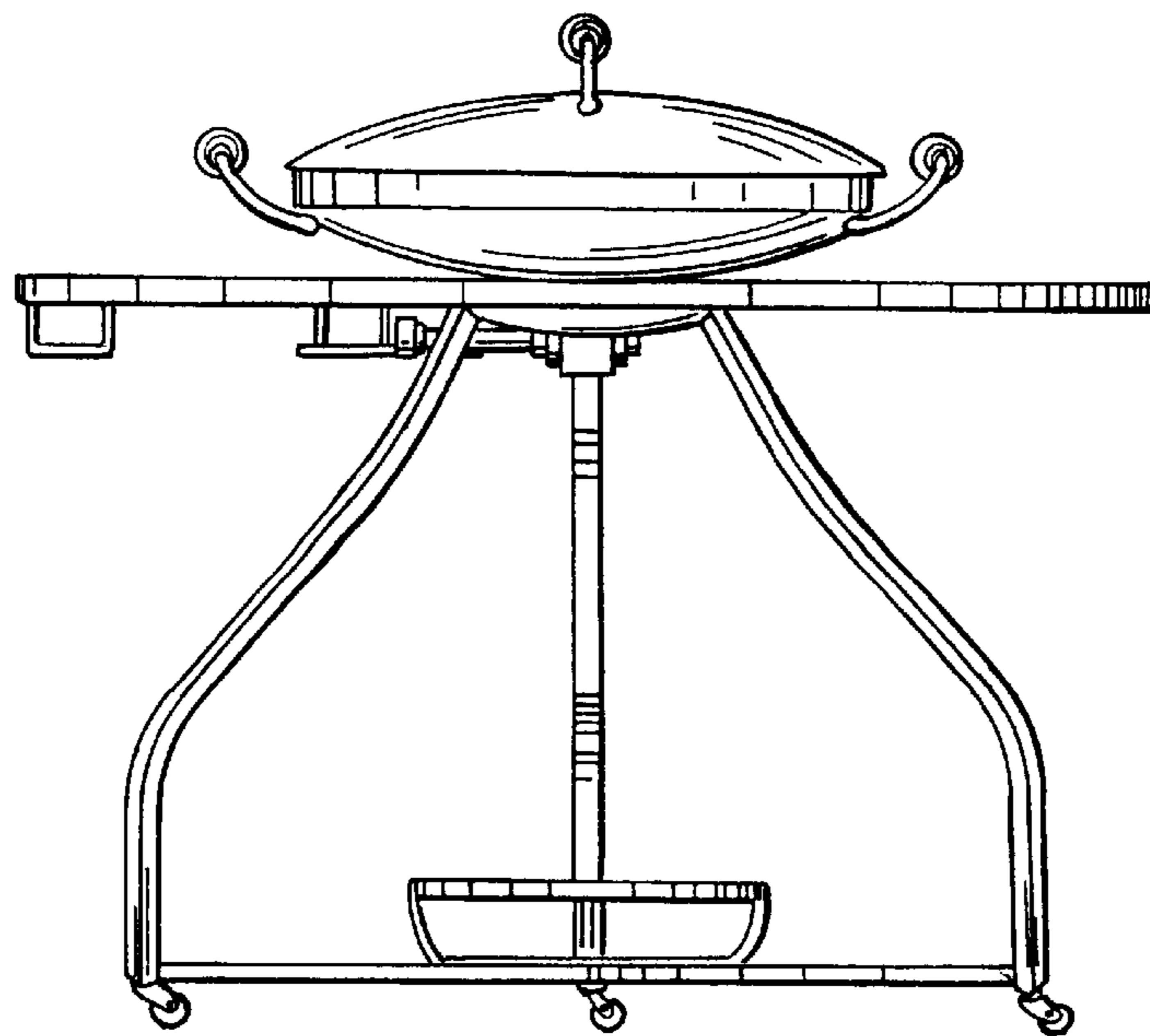
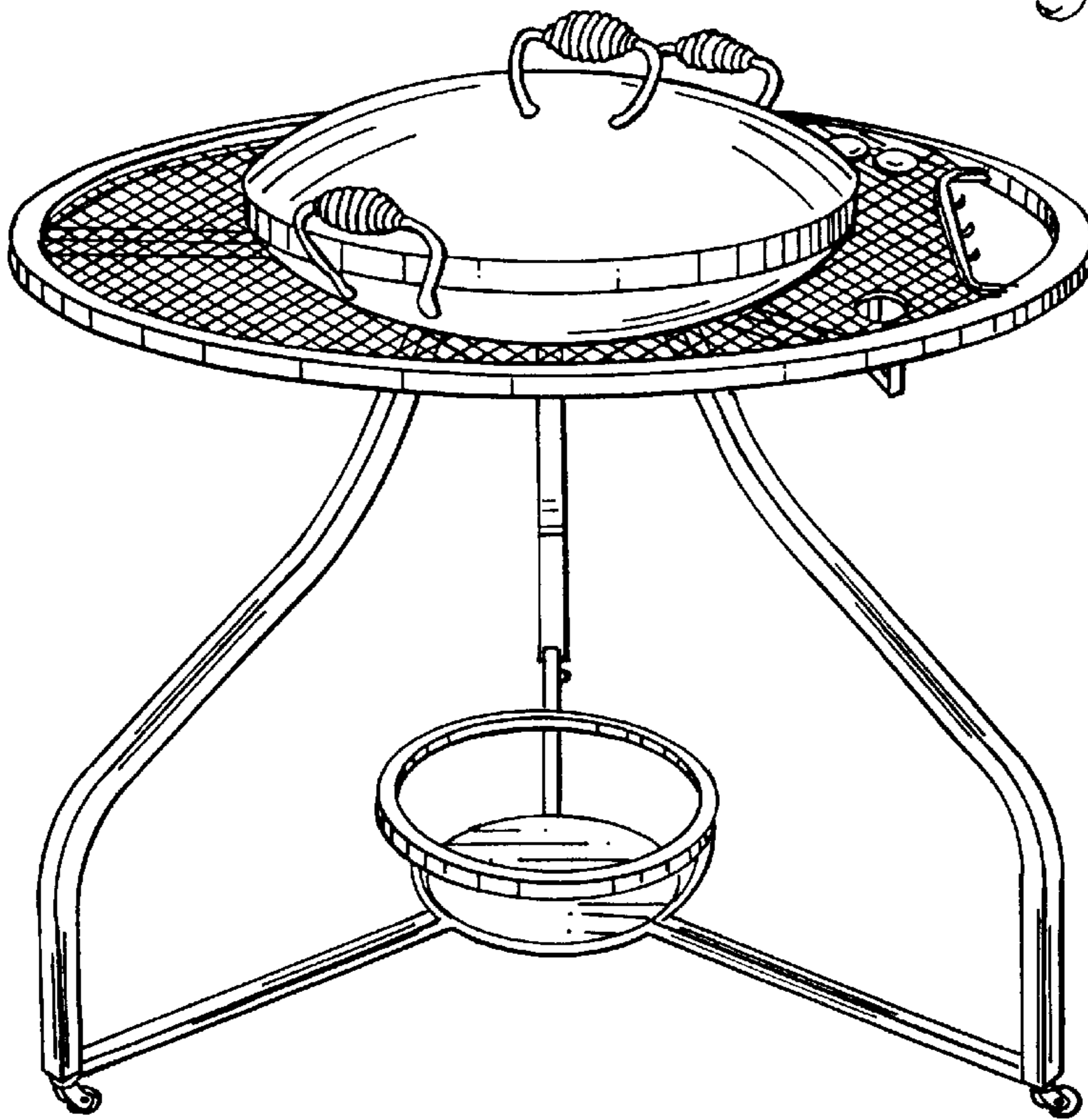
FIG. 4 is a bottom plan view thereof; and,

FIG. 5 is a side elevational view thereof.

**1 Claim, 3 Drawing Sheets**

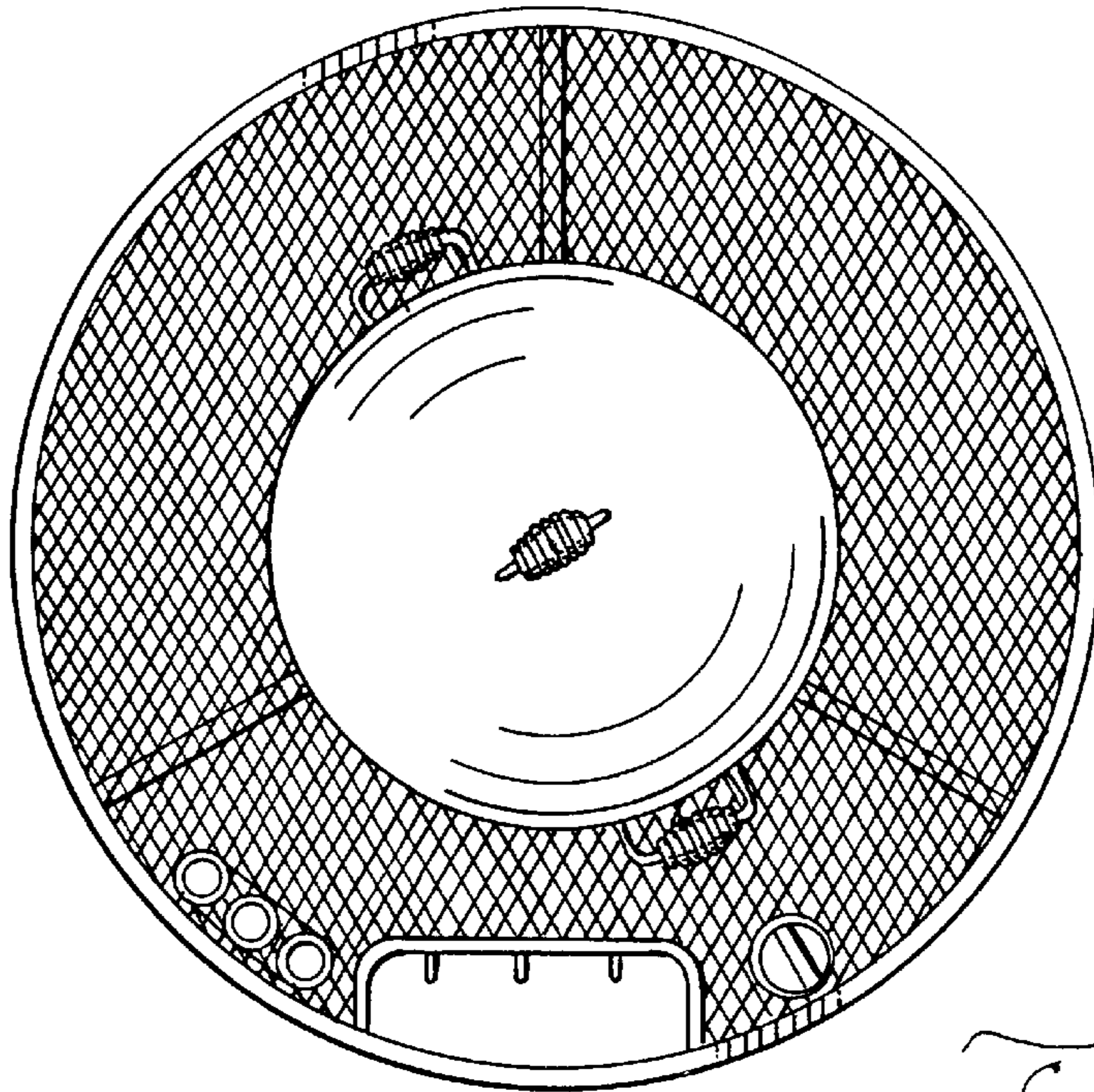


*Fig. 1*

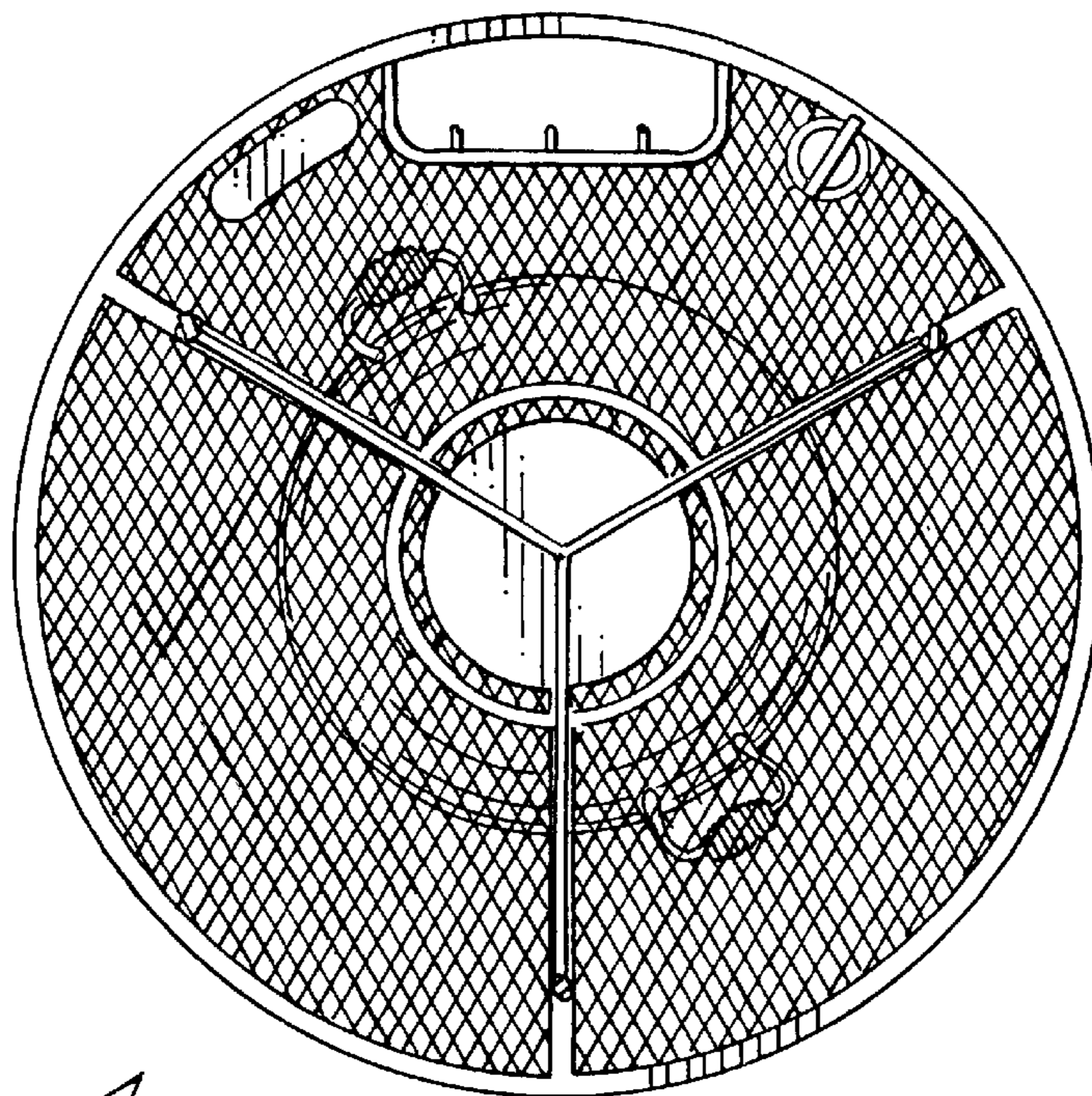


*Fig. 2*

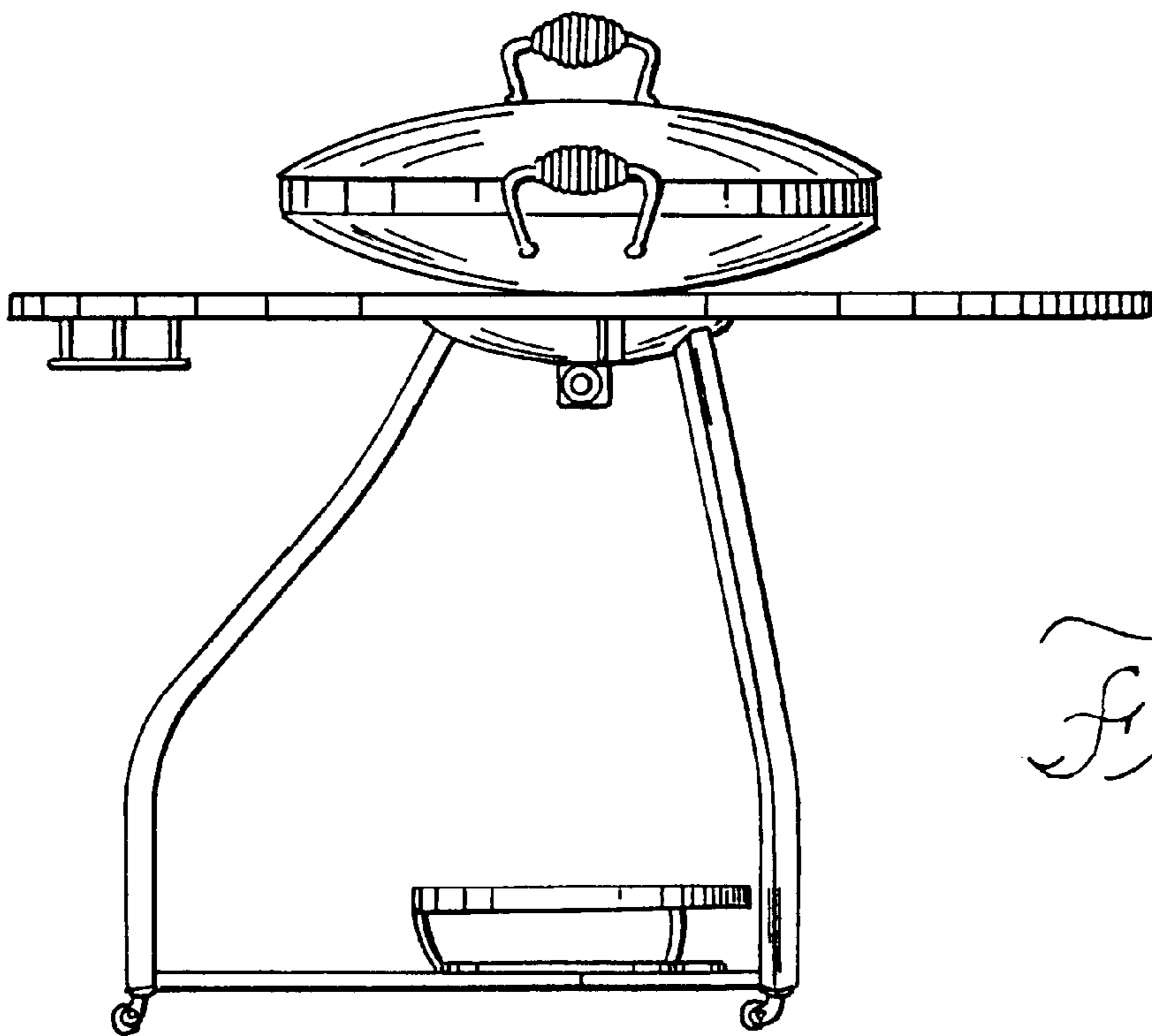




*Fig. 3*



*Fig. 4*



*Fig. 5*