



US00D468950S

(12) **United States Design Patent**  
**Judkins**

(10) **Patent No.:** **US D468,950 S**

(45) **Date of Patent:** **\*\* Jan. 21, 2003**

(54) **DOUBLE LAYER SHADE WITH FABRIC ROMAN SHADE**

6,145,568 A \* 11/2000 Lundstrom ..... 160/84.02  
D440,094 S \* 4/2001 Shen ..... D6/575  
D446,070 S \* 8/2001 Judkins ..... D6/575

(76) Inventor: **Ren Judkins**, 46 Newgate Rd.,  
Pittsburgh, PA (US) 15202

\* cited by examiner

(\*\*) Term: **14 Years**

*Primary Examiner*—Ted Shooman

*Assistant Examiner*—C. Tuttle

(21) Appl. No.: **29/139,660**

(74) *Attorney, Agent, or Firm*—Buchanan Ingersoll, P.C.

(22) Filed: **Apr. 4, 2001**

(57) **CLAIM**

(51) **LOC (7) Cl.** ..... **06-10**

The ornamental design for a double layer shade with fabric roman shade, as shown and described.

(52) **U.S. Cl.** ..... **D6/575**

(58) **Field of Search** ..... D6/575-581; 160/84.01,  
160/84.02, 84.03, 84.04, 84.05, 84.06, 84.08,  
84.09, 84.11, 231.1, DIG. 7, 236, 35, 108-115,  
330, 340, 344, 348; 139/383 R, 384 A,  
420 R, 424, 426 R

**DESCRIPTION**

(56) **References Cited**

**U.S. PATENT DOCUMENTS**

- 3,487,875 A \* 1/1970 Shukat et al. .... 160/84.01
- 4,069,857 A \* 1/1978 Brookshire ..... 160/84.04
- D260,838 S 9/1981 Kato ..... D6/575
- D277,061 S 1/1985 Picoy ..... D6/575
- 4,934,435 A \* 6/1990 Regev ..... 160/84.04
- 5,205,334 A 4/1993 Judkins ..... 160/89
- D348,371 S 7/1994 Judkins ..... D6/577
- 5,566,735 A 10/1996 Jelic ..... 160/84.04
- 5,649,583 A \* 7/1997 Hsu ..... 160/84.05

FIG. 1 is a front perspective view of a double layer shade with roman shade showing my design in a fully lowered, closed position.

FIG. 2 is a left end view thereof.

FIG. 3 is a front view thereof showing the double layer shade in a fully raised, open position.

FIG. 4 is a left end view thereof.

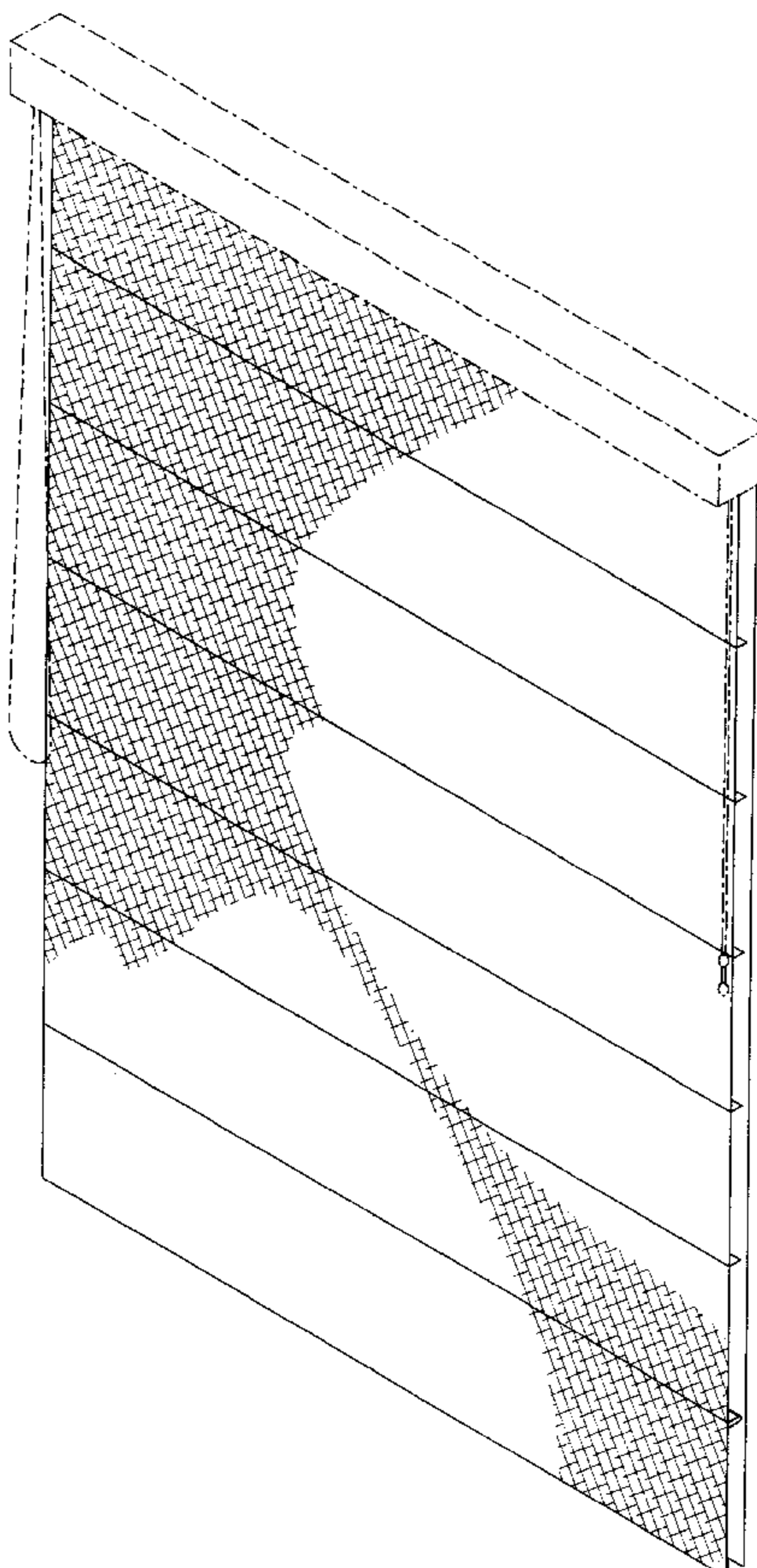
FIG. 5 is a right end view thereof.

FIG. 6 is a bottom view thereof; and,

FIG. 7 is a back view thereof showing the double layer shade in a fully lowered, closed position.

The headrail and lift cords shown in broken lines are for illustrative purposes only and form no part of the present design.

**1 Claim, 4 Drawing Sheets**



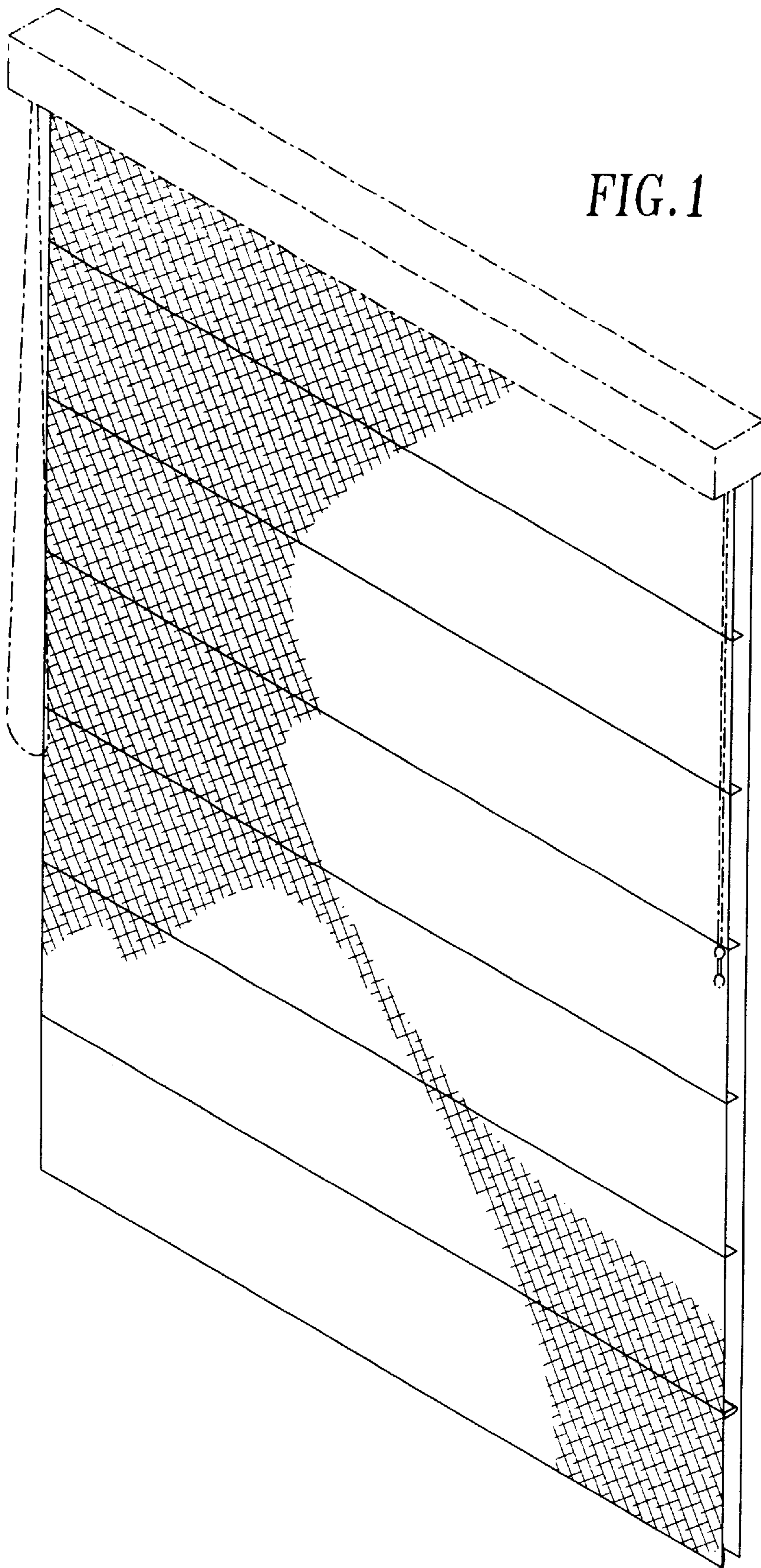
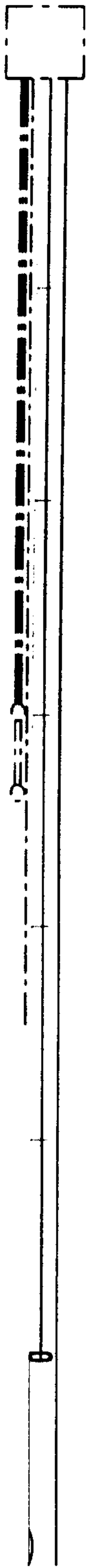


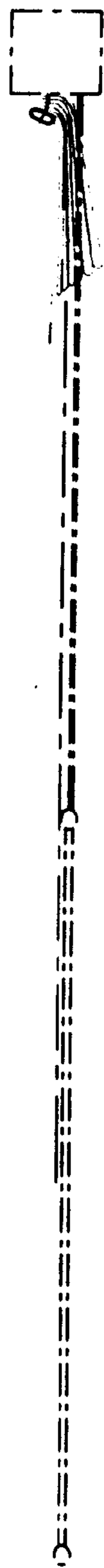
FIG. 1



*FIG. 2*

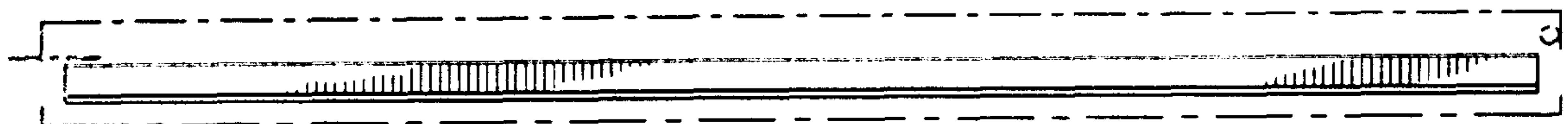
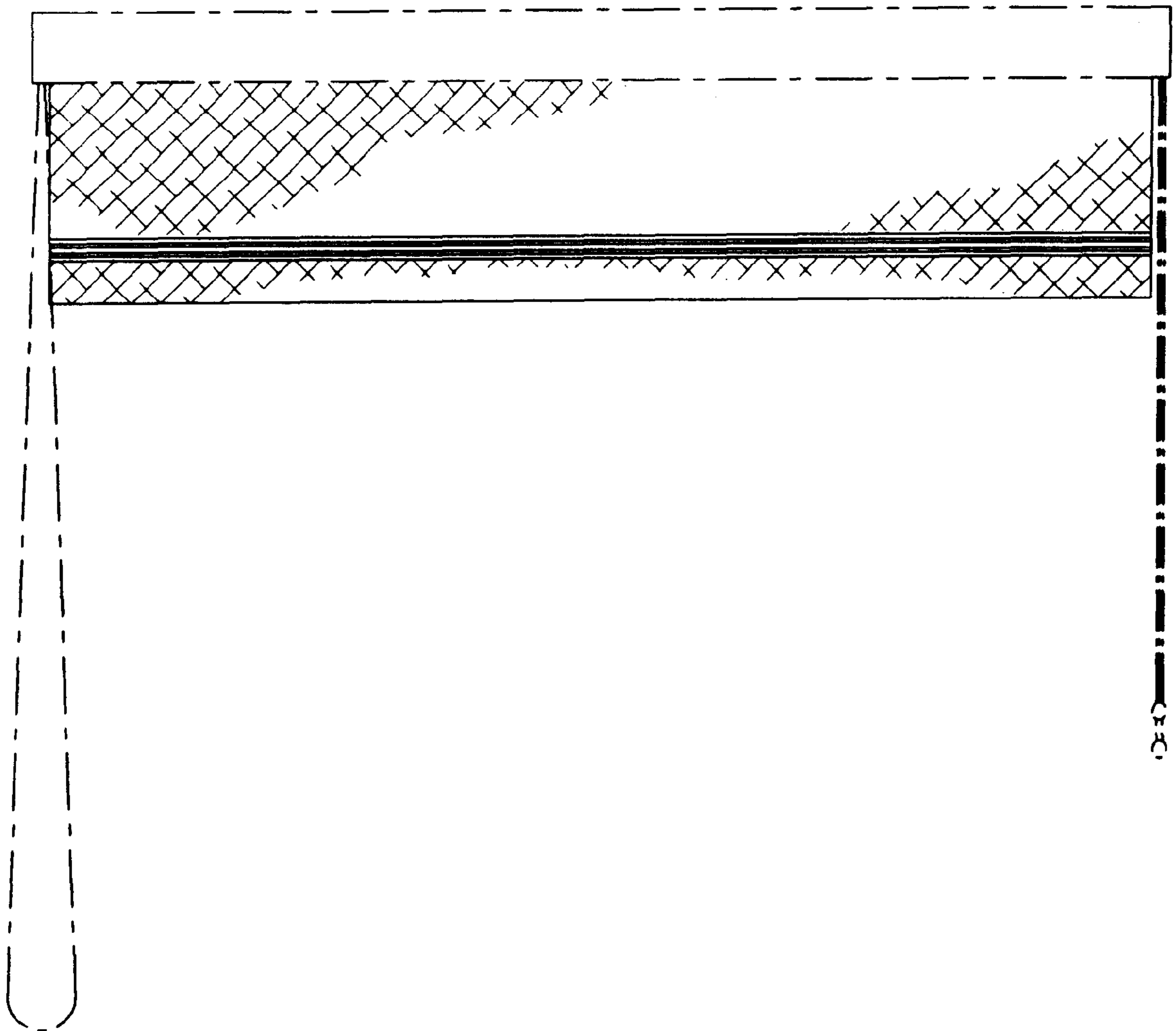


*FIG. 4*

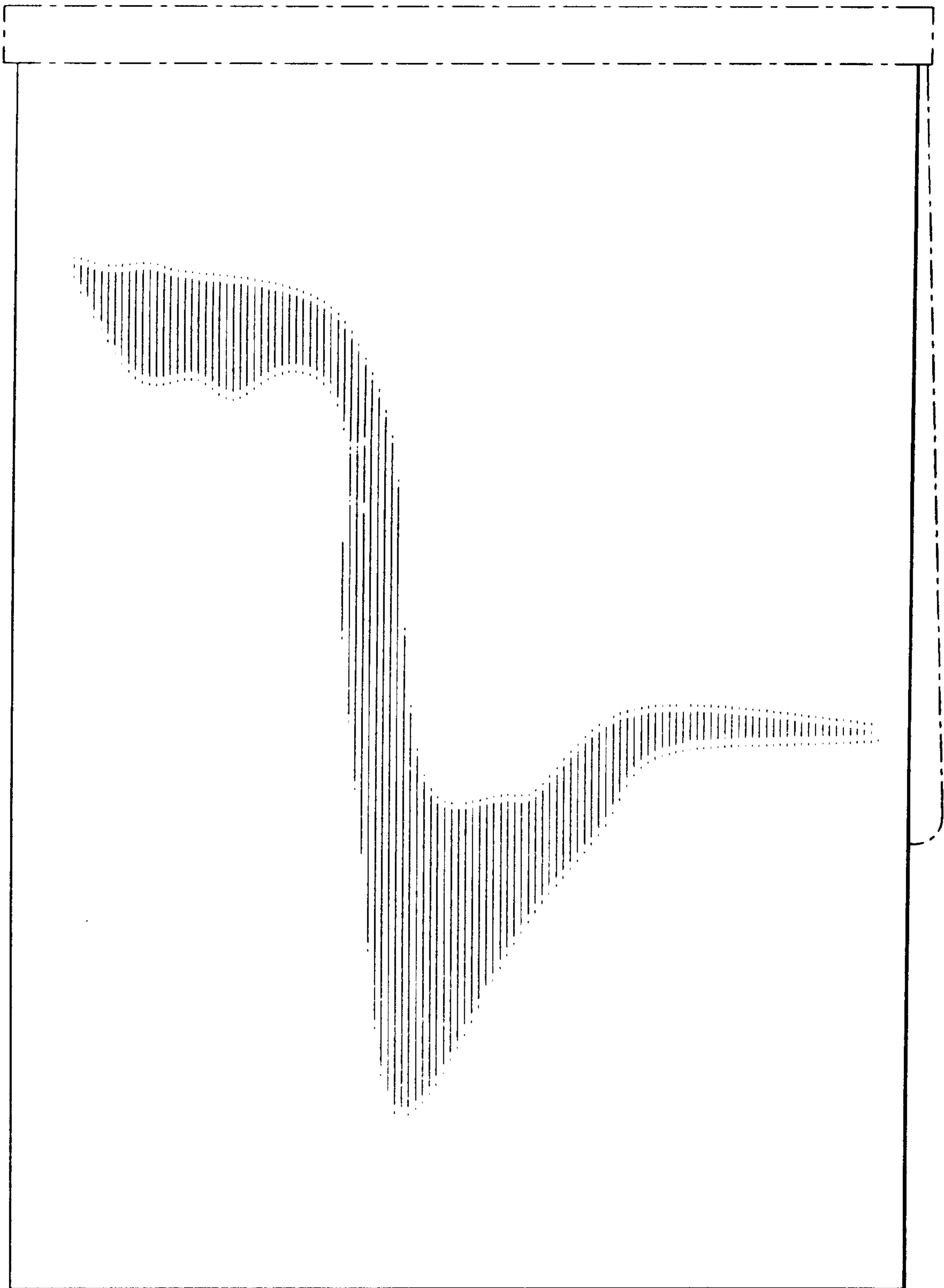


*FIG. 5*

*FIG. 3*



*FIG. 6*



*FIG. 7*