



US00D468949S

(12) **United States Design Patent**  
**Howard**

(10) **Patent No.:** **US D468,949 S**  
(45) **Date of Patent:** **\*\* Jan. 21, 2003**

(54) **CURVY KEY TAG RACK**

(76) Inventor: **Raymond W. Howard**, 1133 First St.  
#319, Coronado, CA (US) 92118-1479

(\*\*) Term: **14 Years**

(21) Appl. No.: **29/163,168**

(22) Filed: **Jun. 27, 2002**

(51) **LOC (7) Cl.** ..... **06-04**

(52) **U.S. Cl.** ..... **D6/569**

(58) **Field of Search** ..... D6/553, 567, 569,  
D6/570, 571, 572, 568; D8/349, 363, 367,  
370, 371, 380; 206/349; 211/13.1, 85.9;  
248/309.1

(56) **References Cited**

**U.S. PATENT DOCUMENTS**

2,889,050	A	*	6/1959	Modrey	.....	211/85.9
4,326,761	A	*	4/1982	Schwartz	.....	211/13.1 X
D294,791	S	*	3/1988	Loscalzo et al.	.....	D6/569
D294,792	S	*	3/1988	Zimmerman	.....	D6/569
4,771,897	A	*	9/1988	Ho	.....	211/85.9
D331,855	S	*	12/1992	Kaplan	.....	D6/512
D370,816	S	*	6/1996	Hofman et al.	.....	D6/568
D444,377	S	*	7/2001	Harvey	.....	D8/371
D459,130	S	*	6/2002	Annan	.....	D6/553

\* cited by examiner

*Primary Examiner*—Brian N. Vinson  
(74) *Attorney, Agent, or Firm*—John J. Murphey

(57) **CLAIM**

The ornamental design of a curvy key tag rack, as shown and described.

**DESCRIPTION**

FIG. 1 is a front elevational view of a seven key holder curvy key tag rack showing my new design;

FIG. 2 is a rear elevational view of the curvy key tag rack shown in FIG. 1;

FIG. 3 is a top plan view of the curvy key tag rack shown in FIG. 1;

FIG. 4 is a bottom plan view of the curvy key tag rack shown in FIG. 1;

FIG. 5 is a left side elevational view of the curvy key tag rack shown in FIG. 1 with the right side view being a mirror image thereof;

FIG. 6 is a perspective view of the curvy key tag rack shown in FIG. 1;

FIG. 7 is a front elevational view of another embodiment of my curvy key tag rack design showing it hold five keys instead of the seven keys shown in FIG. 1;

FIG. 8 is a rear elevational view of the curvy key tag rack shown in FIG. 7;

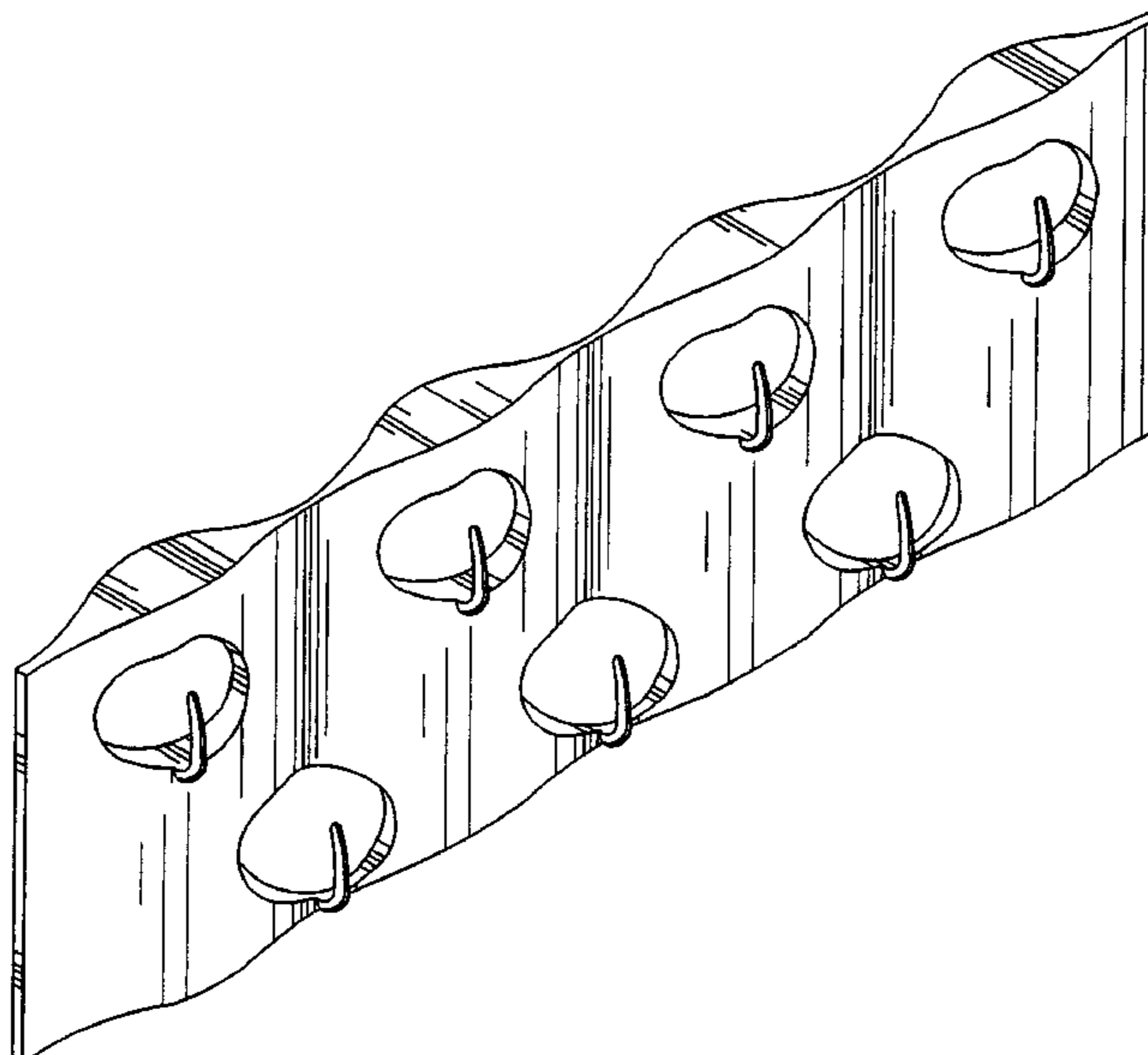
FIG. 9 is a top plan view of the curvy key tag rack shown in FIG. 7;

FIG. 10 is a bottom plan view of the curvy key tag rack shown in FIG. 7;

FIG. 11 is a left side elevational view of the curvy key tag rack shown in FIG. 7 with the right side view being a mirror image thereof; and,

FIG. 12 is a perspective view of the curvy key tag rack shown in FIG. 7.

**1 Claim, 4 Drawing Sheets**



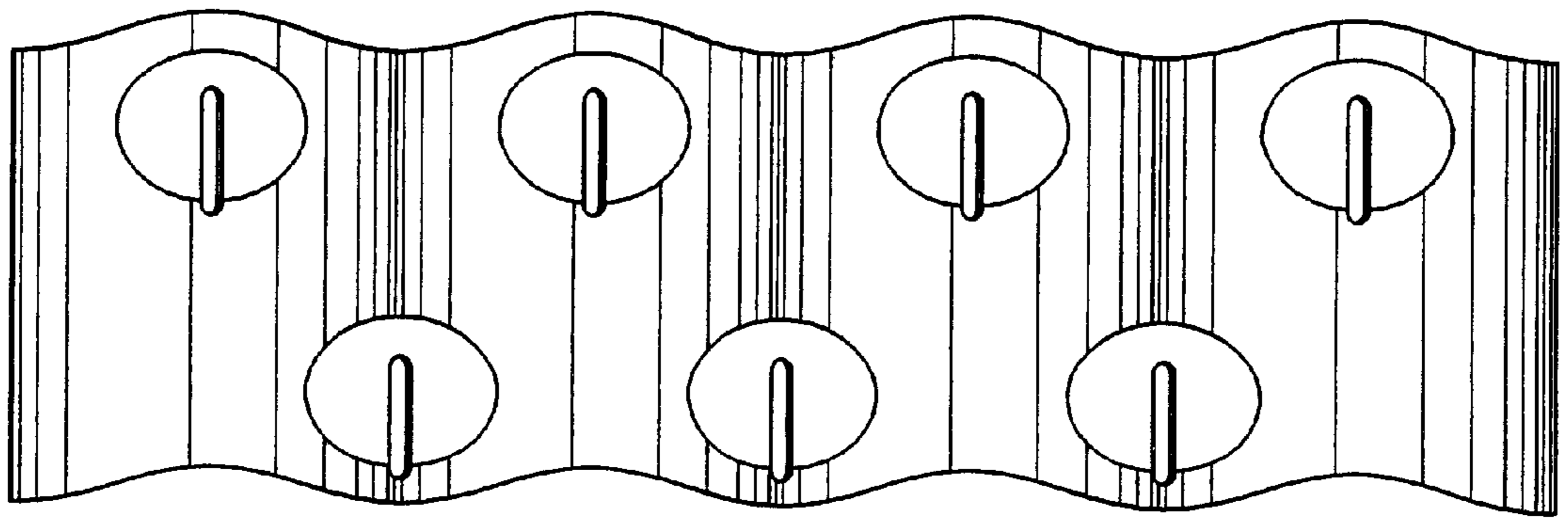


Figure 1

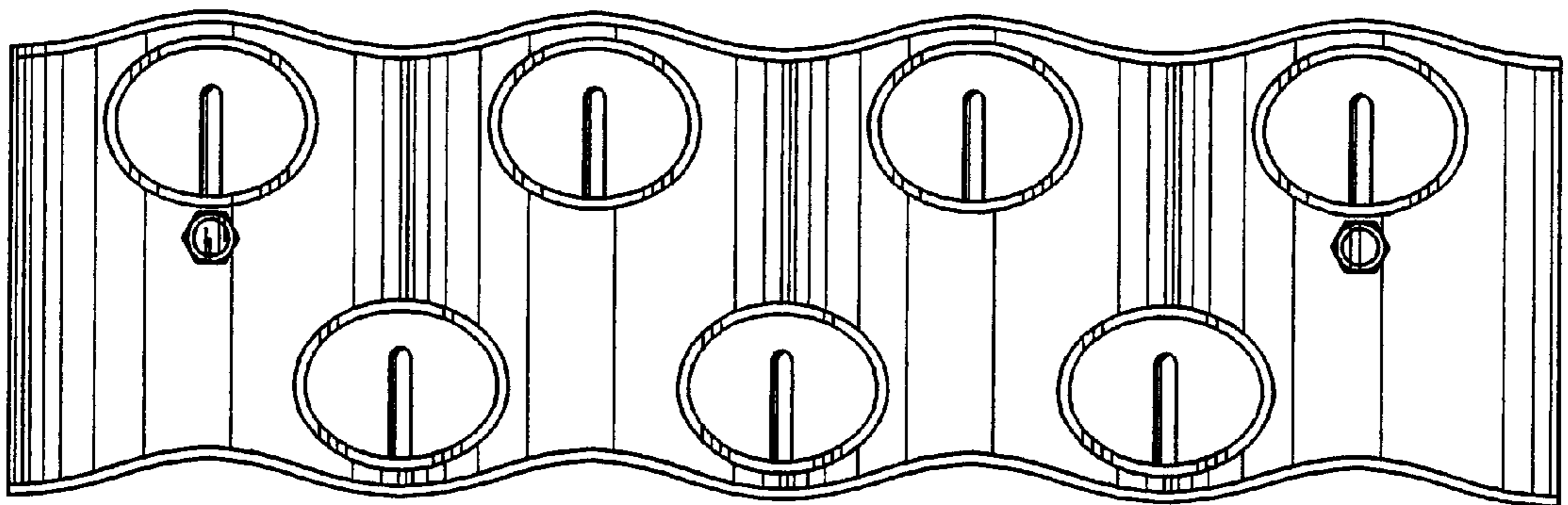


Figure 2

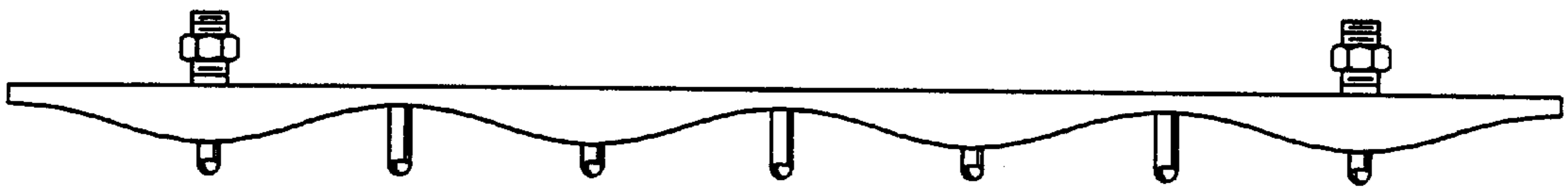


Figure 3

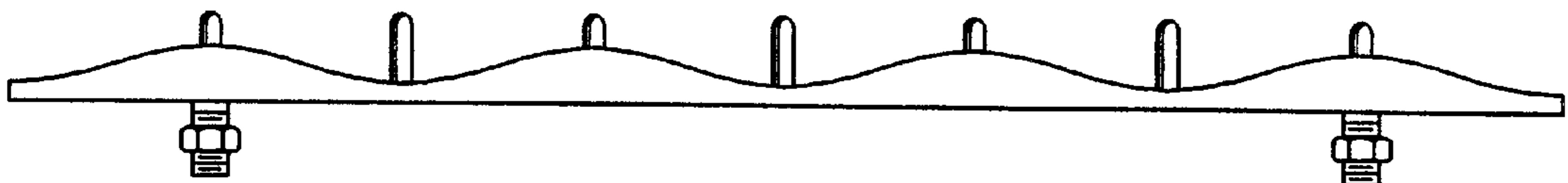


Figure 4

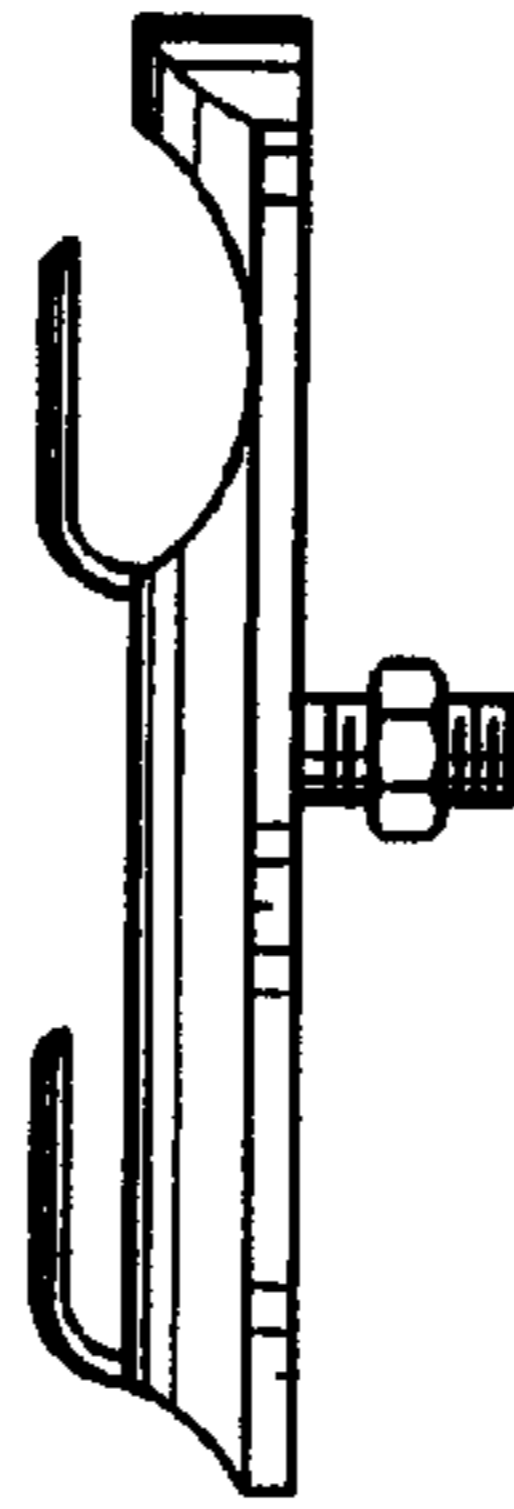


Figure 5

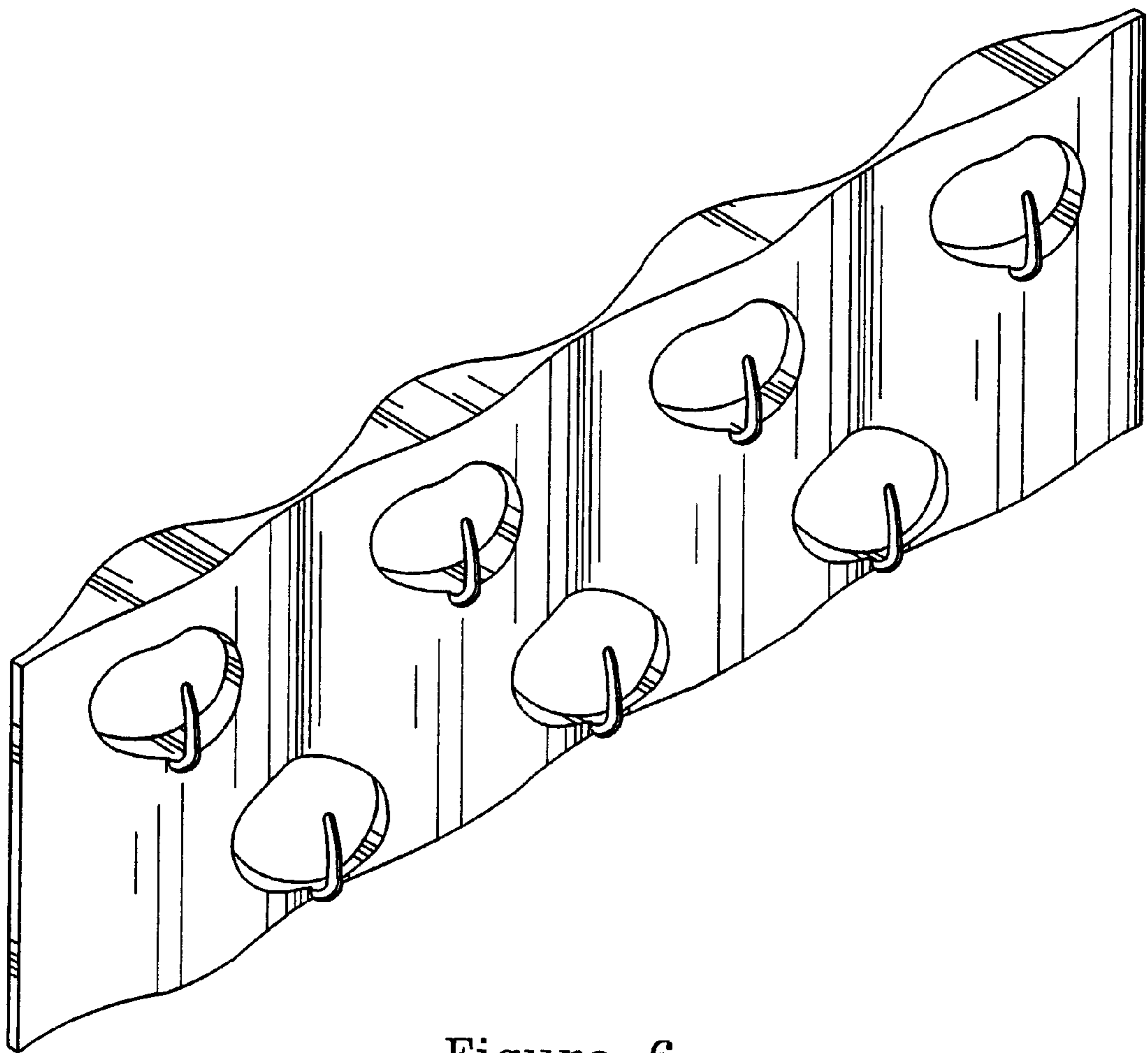


Figure 6

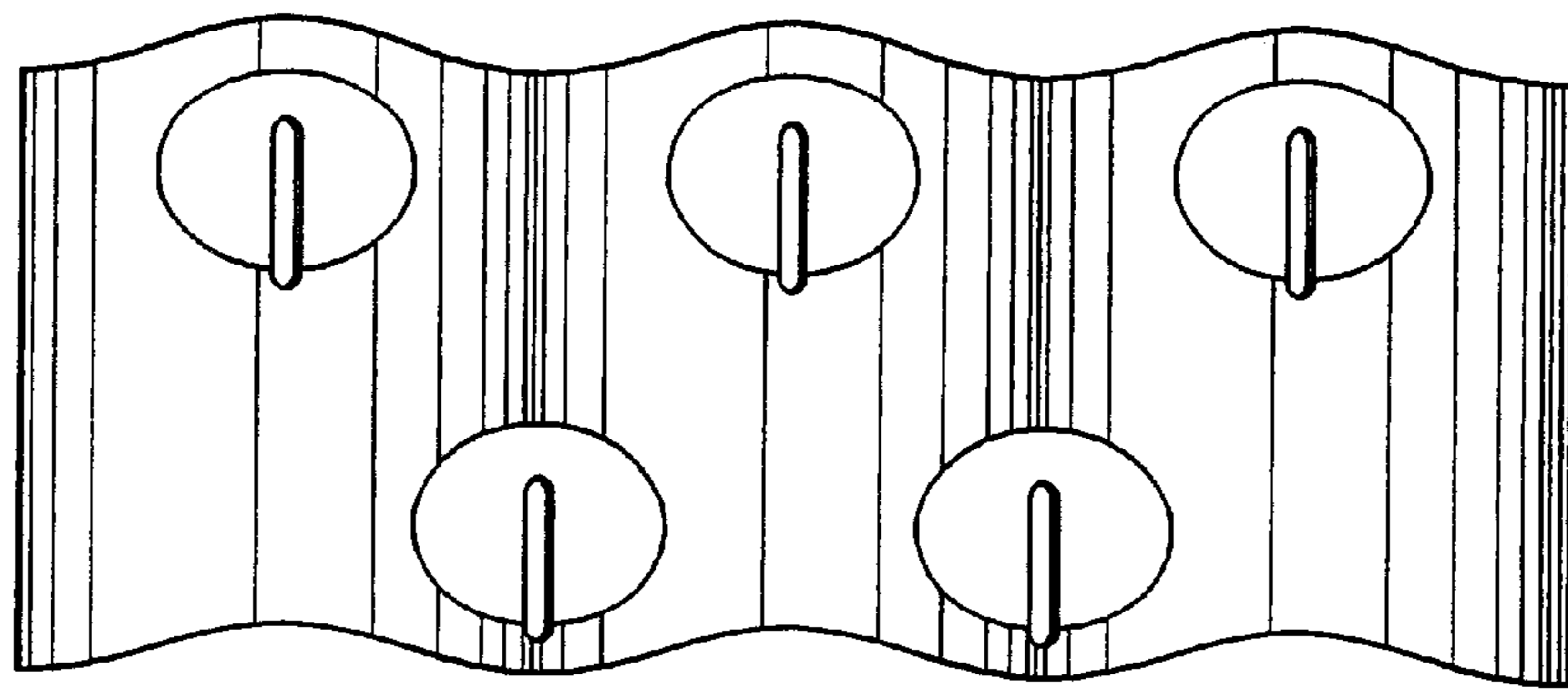


Figure 7

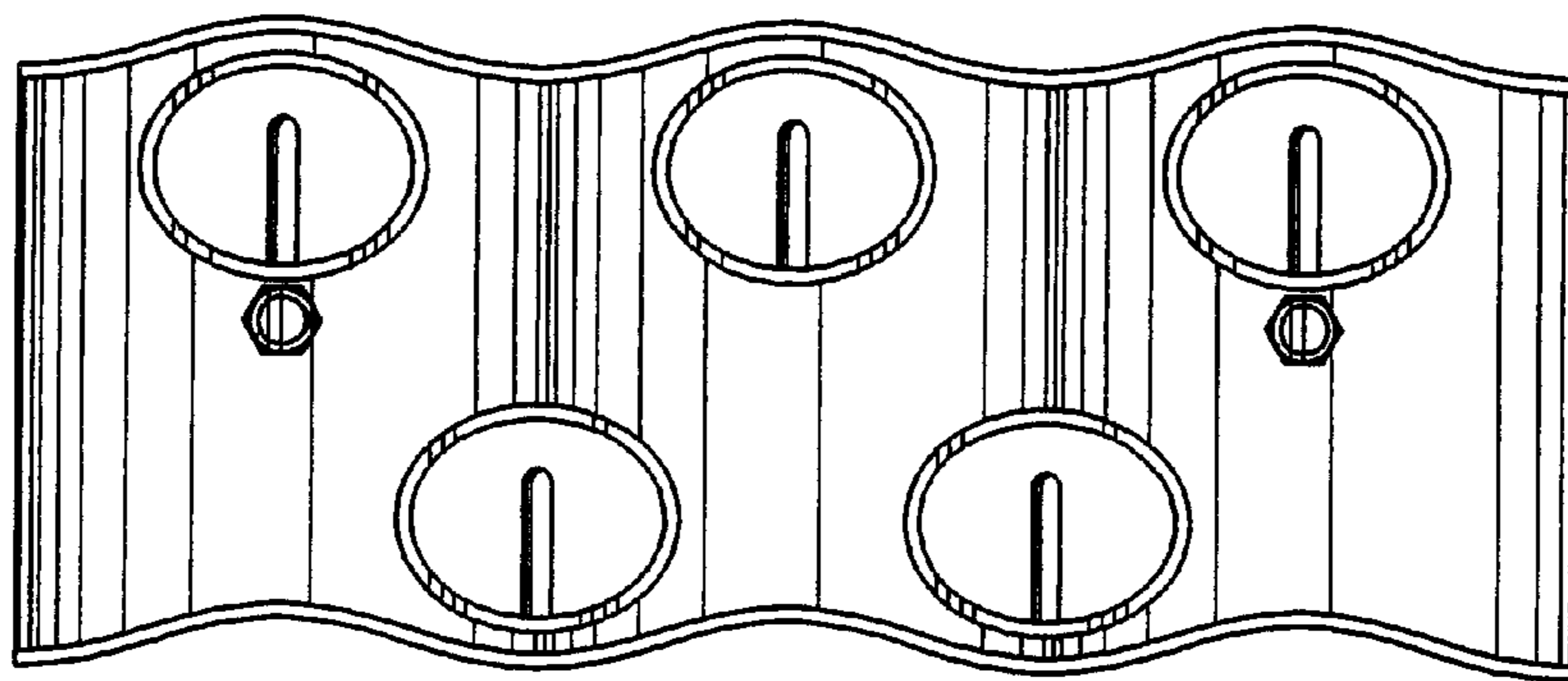


Figure 8

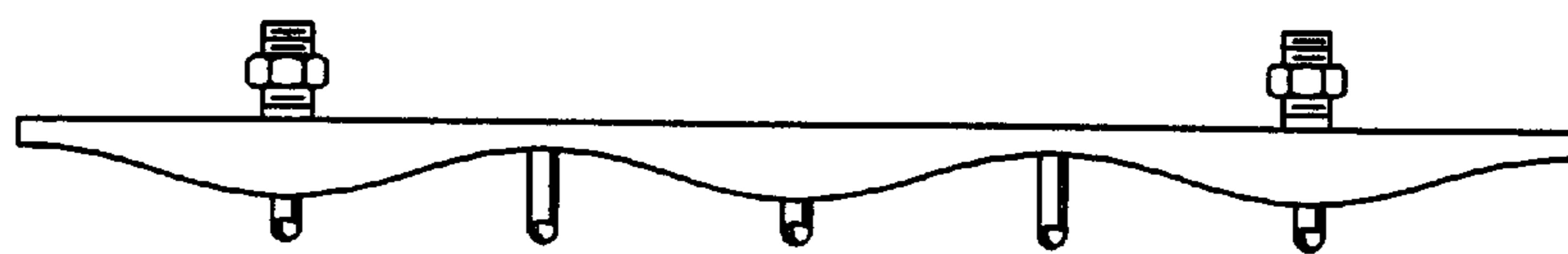


Figure 9

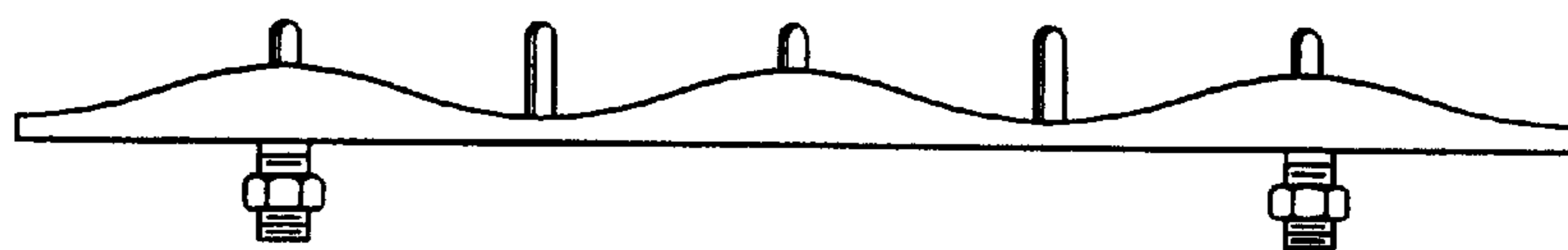


Figure 10

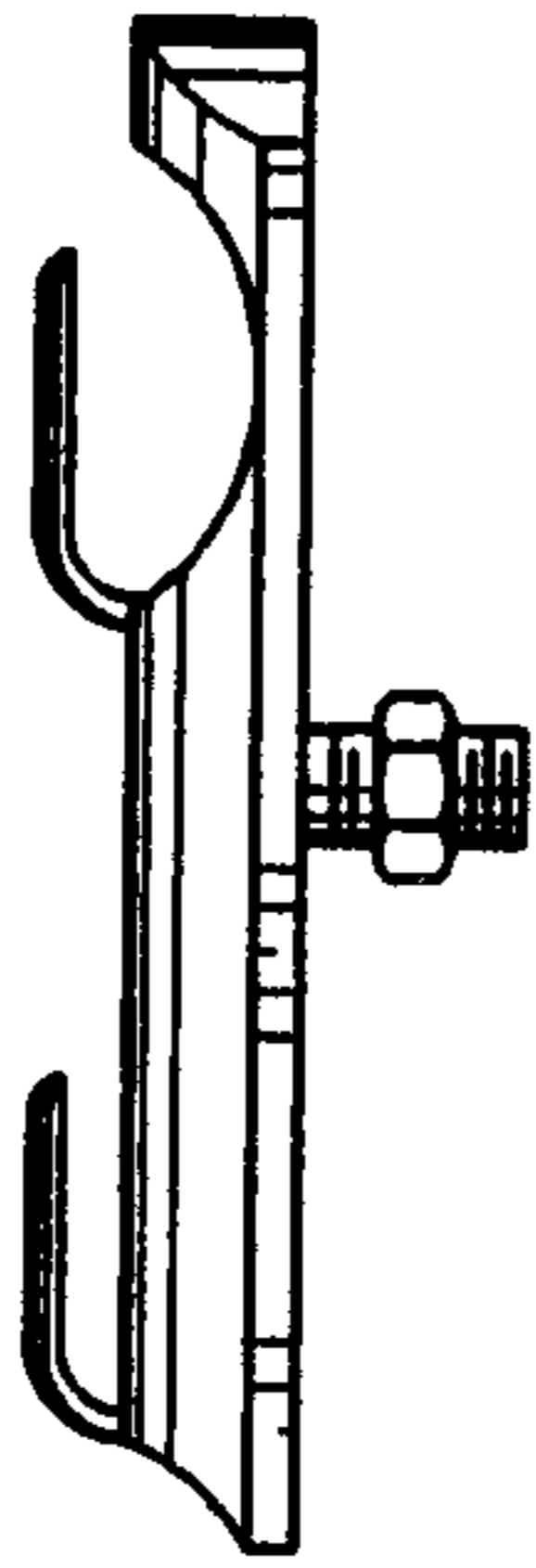


Figure 11

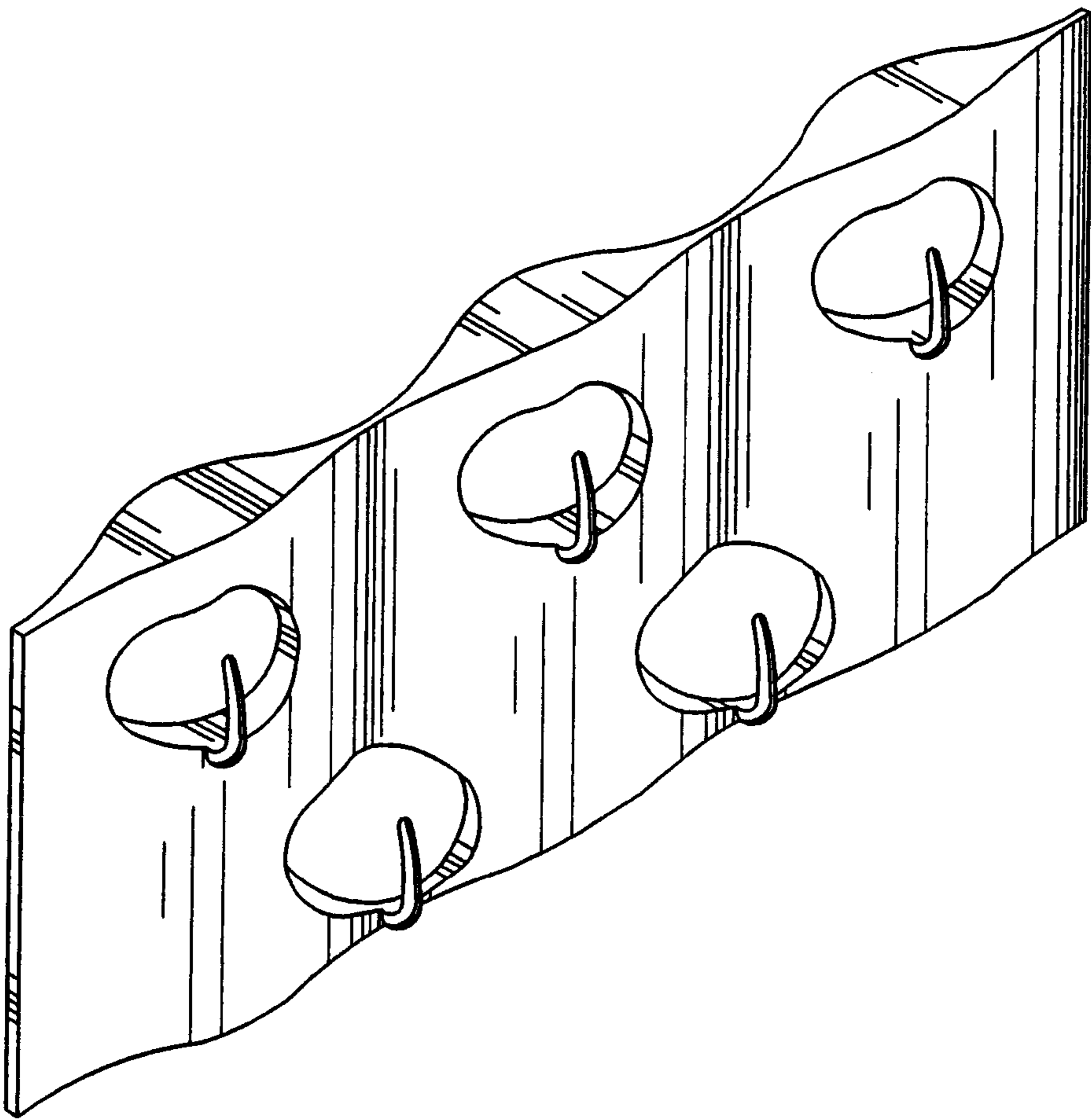


Figure 12