



US00D468948S

(12) **United States Design Patent**
Shea

(10) **Patent No.:** **US D468,948 S**
(45) **Date of Patent:** **** Jan. 21, 2003**

(54) **MERCHANDISING DISPLAY STRUCTURE**

(76) Inventor: **Thomas M. Shea**, 1343 Rochester Rd., Suite 100, Troy, MI (US) 48083

(**) Term: **14 Years**

(21) Appl. No.: **29/128,046**

(22) Filed: **Aug. 17, 2000**

Related U.S. Application Data

(63) Continuation-in-part of application No. 08/829,837, filed on Apr. 1, 1997, now Pat. No. 6,199,706, which is a continuation-in-part of application No. 08/599,407, filed on Nov. 26, 1995, now Pat. No. 5,660,286.

(51) **LOC (7) Cl.** **06-04**

(52) **U.S. Cl.** **D6/567; D6/566**

(58) **Field of Search** D6/566, 567, 552, D6/553; 211/13.1, 86.01, 87.01, 181.1, 182; 248/235, 302

(56) **References Cited**

U.S. PATENT DOCUMENTS

2,020,991 A	11/1935	Brody
2,935,210 A	5/1960	Cohen
3,018,898 A	1/1962	Frazelle
3,087,624 A	4/1963	Hucker
3,125,042 A	3/1964	Mapson
3,221,893 A	12/1965	Glaberson et al.
3,285,208 A	11/1966	Cohen
3,513,606 A	5/1970	Jones
3,586,284 A	6/1971	Riebold
3,677,415 A	7/1972	Radek

(List continued on next page.)

Primary Examiner—Brian N. Vinson

(74) *Attorney, Agent, or Firm*—Gifford, Krass, Groh, Sprinkle, Anderson & Citkowski, P.C.

(57) **CLAIM**

I claim the ornamental design for a merchandising display structure, as shown and described.

DESCRIPTION

FIG. 1 is a top, front, and left side perspective view of a

merchandising display structure showing a first embodiment of my new design;

FIG. 2 is a top plan view thereof;

FIG. 3 is a front elevational view thereof;

FIG. 4 is a bottom plan view thereof;

FIG. 5 is a left side elevational view thereof;

FIG. 6 is a right side elevational view thereof;

FIG. 7 is a fragmentary top, front, and left side perspective view of a merchandising display structure showing a second embodiment of my new design, with the horizontal and vertical elements omitted for convenience of illustration, and the only difference from the other embodiments residing in the appearance of the portion shown;

FIG. 8 is a fragmentary top, rear, and right side perspective view thereof;

FIG. 9 is a fragmentary top, front, and left side perspective view of a merchandising display structure showing a third embodiment of my new design, with the horizontal and vertical elements omitted for convenience of illustration, and the only difference from the other embodiments residing in the appearance of the portion shown;

FIG. 10 is a fragmentary top, rear, and right side perspective view thereof;

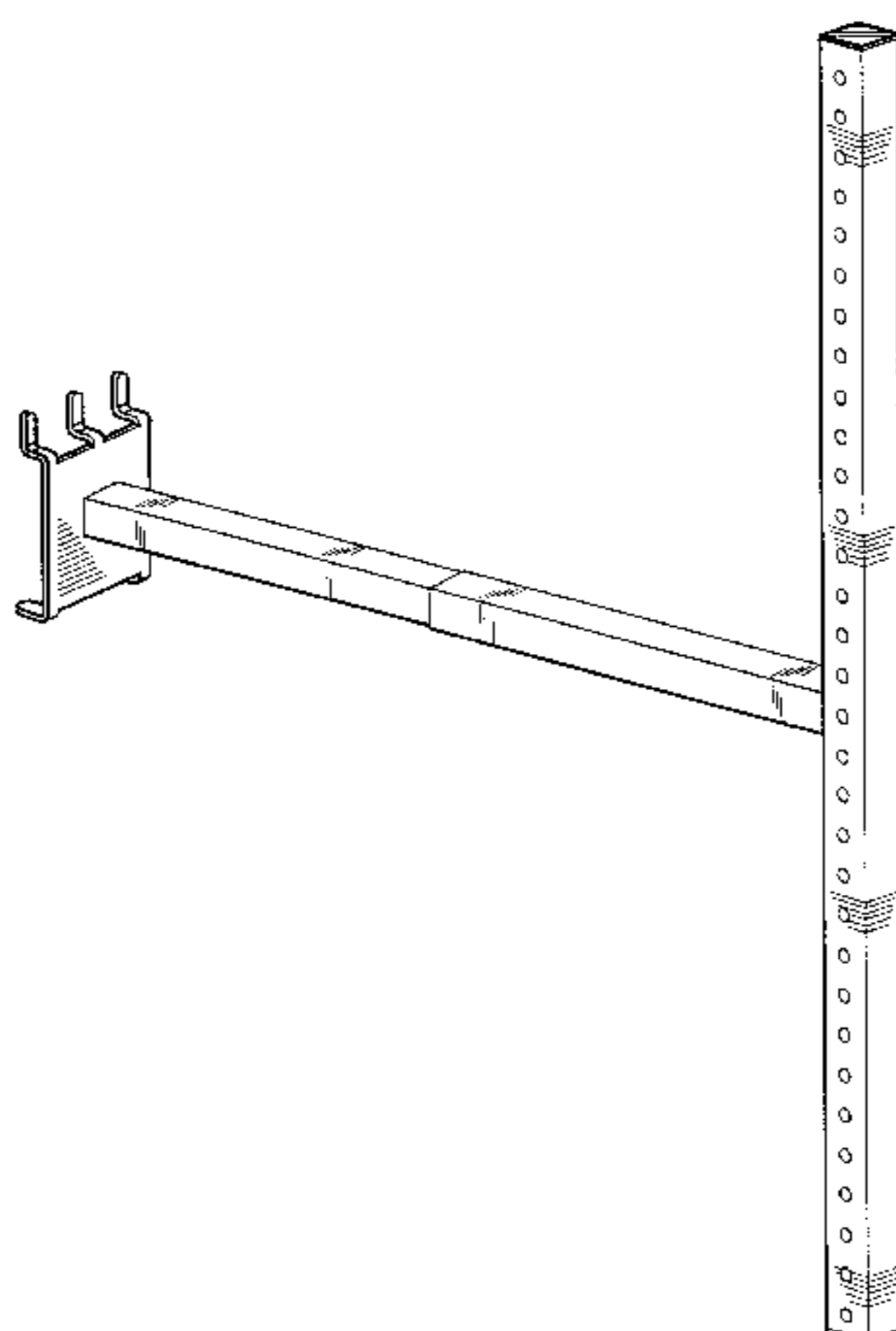
FIG. 11 is a fragmentary top, front, and left side perspective view of a merchandising display structure showing a fourth embodiment of my new design, with the horizontal and vertical elements omitted for convenience of illustration, and the only difference from the other embodiments residing in the appearance of the portion shown;

FIG. 12 is a fragmentary top, rear, and right side perspective view thereof;

FIG. 13 is a fragmentary top, front, and left side perspective view of a merchandising display structure showing a fifth embodiment of my new design, with the horizontal and vertical elements omitted for convenience of illustration, and the only difference from the other embodiments residing in the appearance of the portion shown; and,

FIG. 14 is a fragmentary top, rear, and right side perspective view thereof.

1 Claim, 3 Drawing Sheets



US D468,948 S

Page 2

U.S. PATENT DOCUMENTS

3,743,105 A	7/1973	David	327,187 A	6/1992	Swon	
4,171,052 A	10/1979	Winn	5,303,830 A	4/1994	Metcalf	
431,110 A	7/1990	Driver	3,191,776 A	6/1995	Tokash	
5,014,954 A	5/1991	Merl	D432,844 S	* 10/2000	Shea D6/566
320,719 A	10/1991	Kolsrud et al.				

* cited by examiner

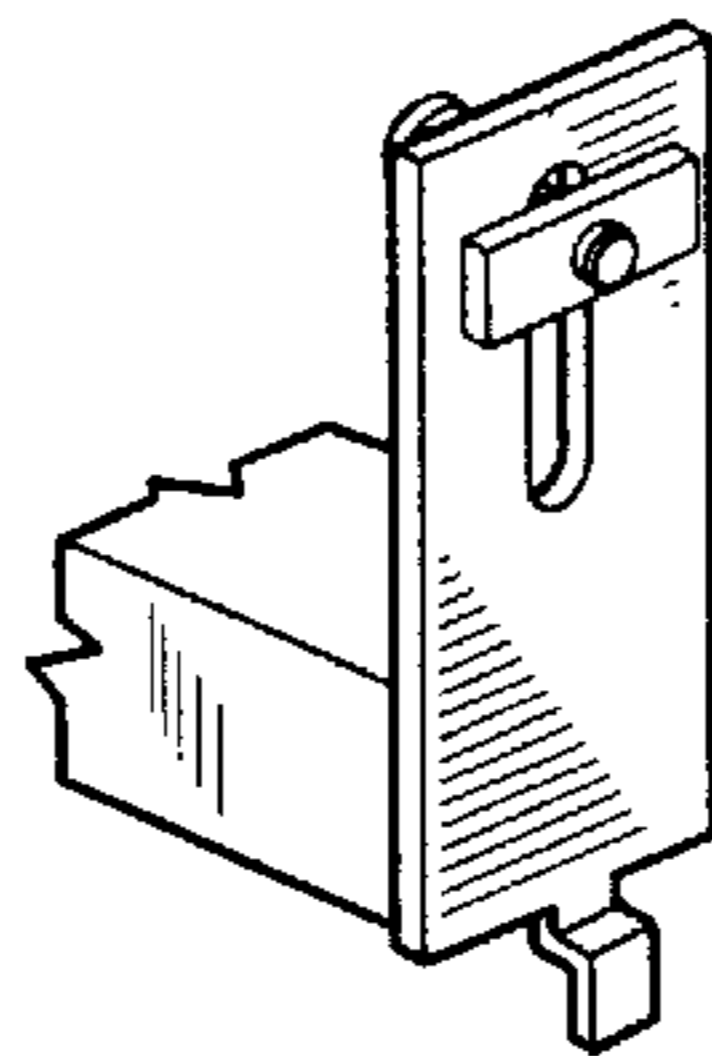
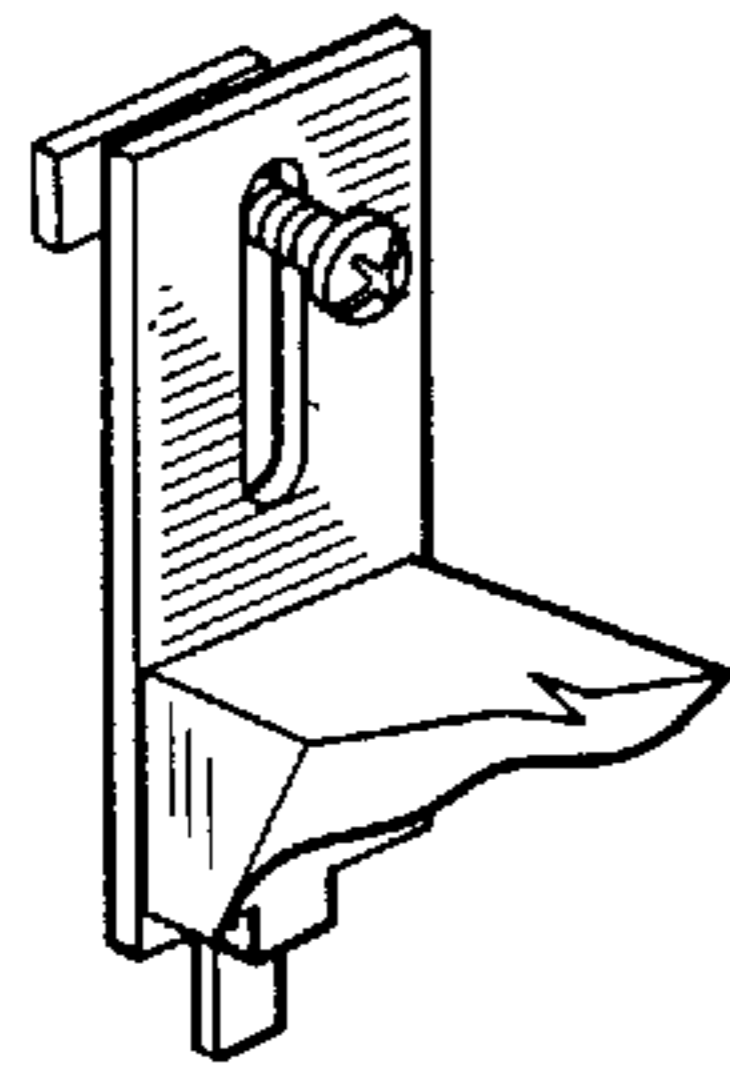
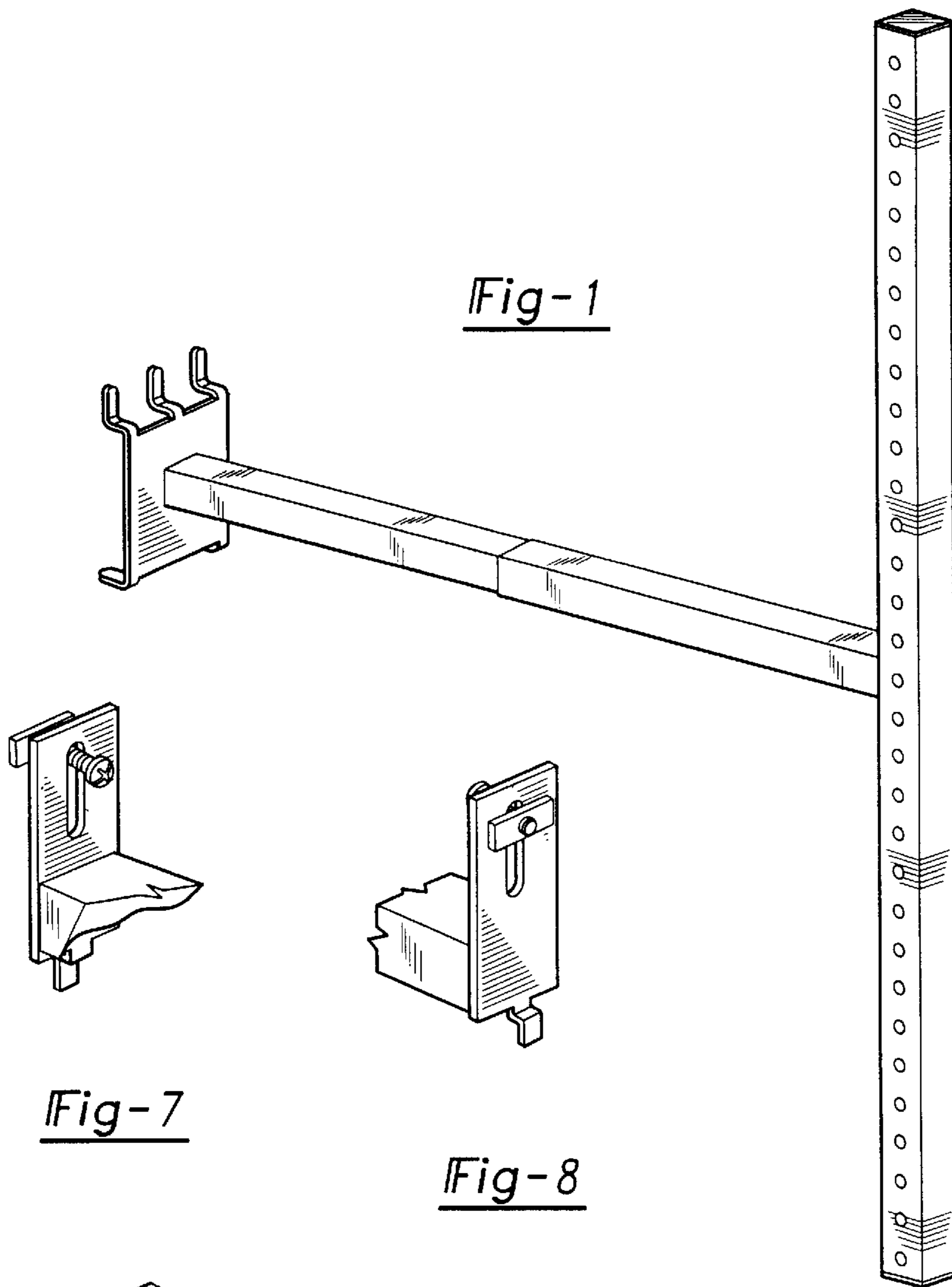


Fig-7

Fig-8

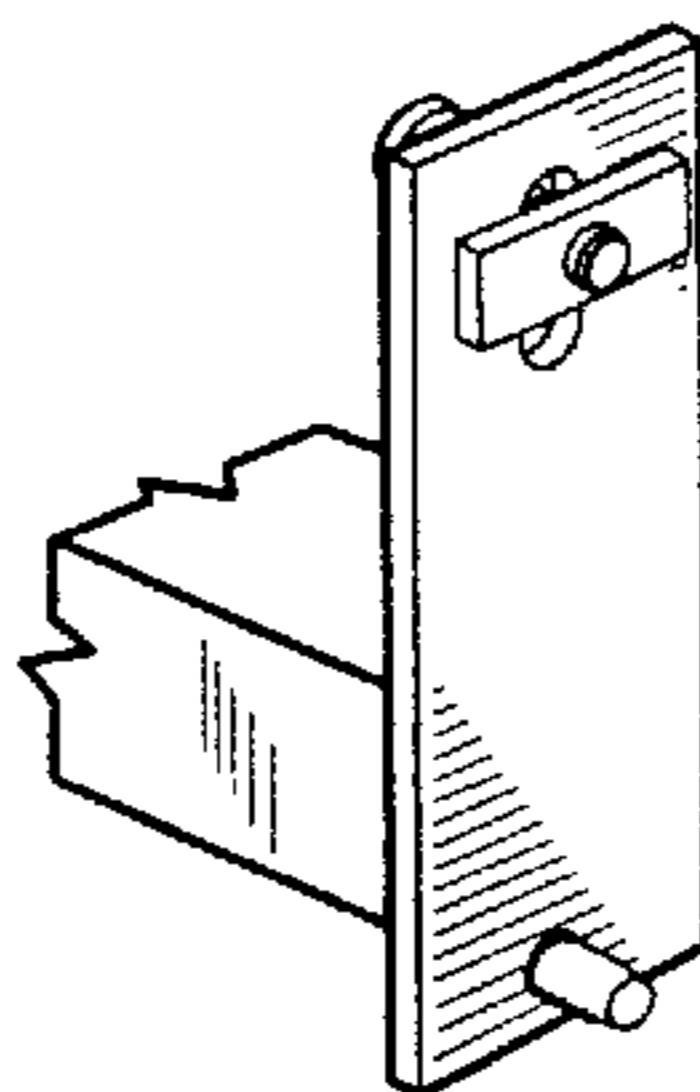
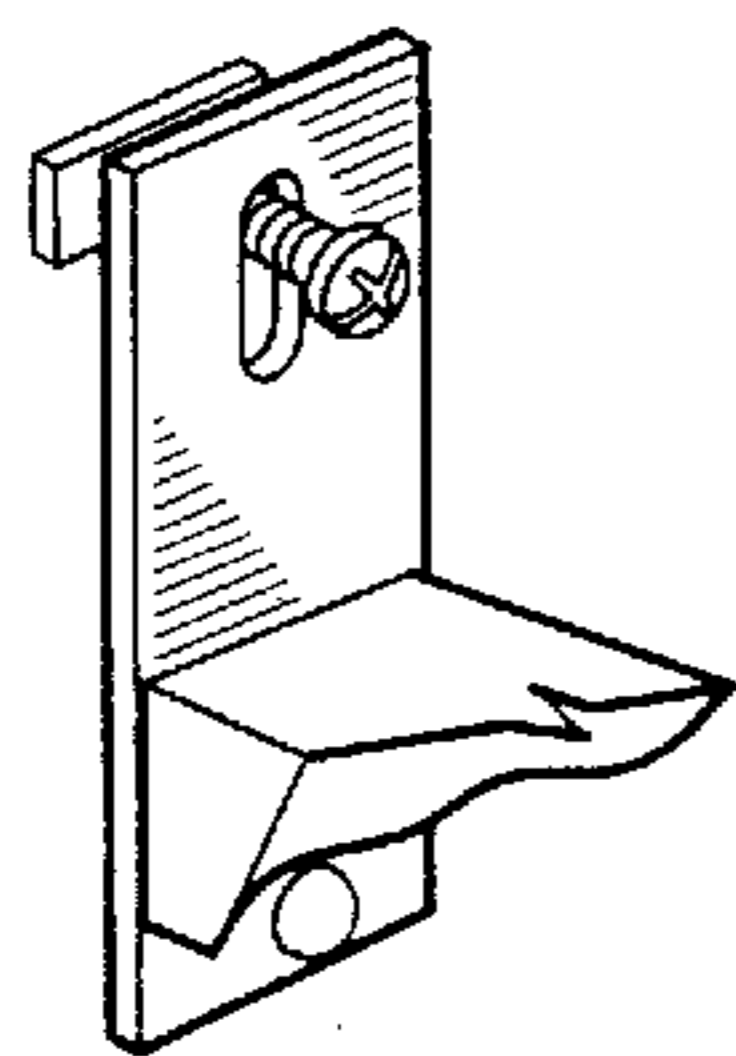


Fig-9

Fig-10

Fig-2

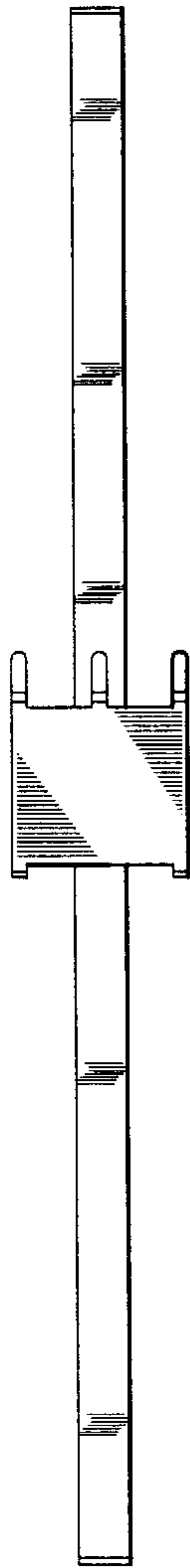
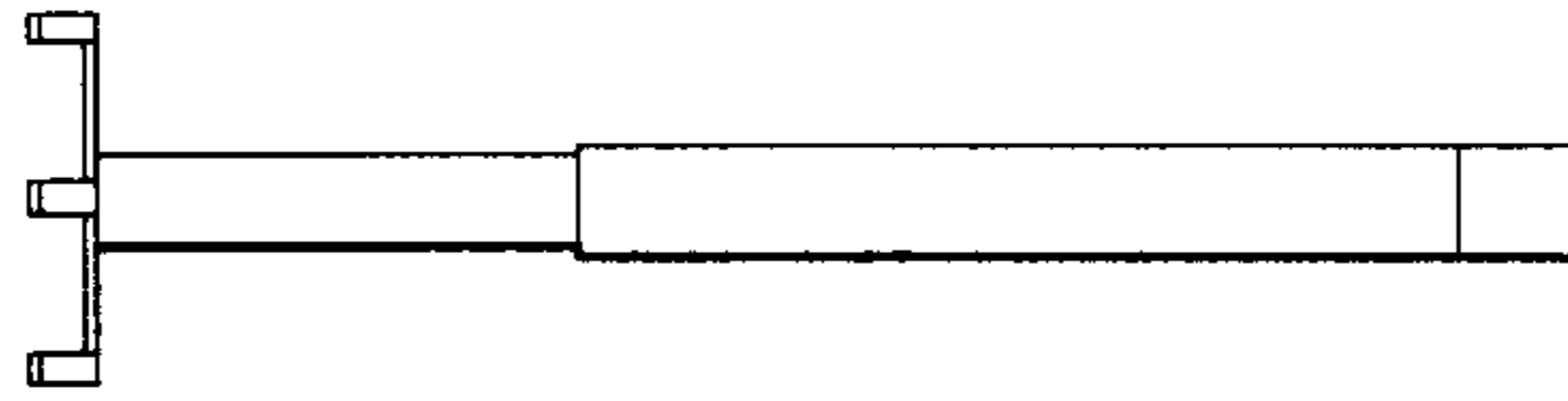


Fig-5

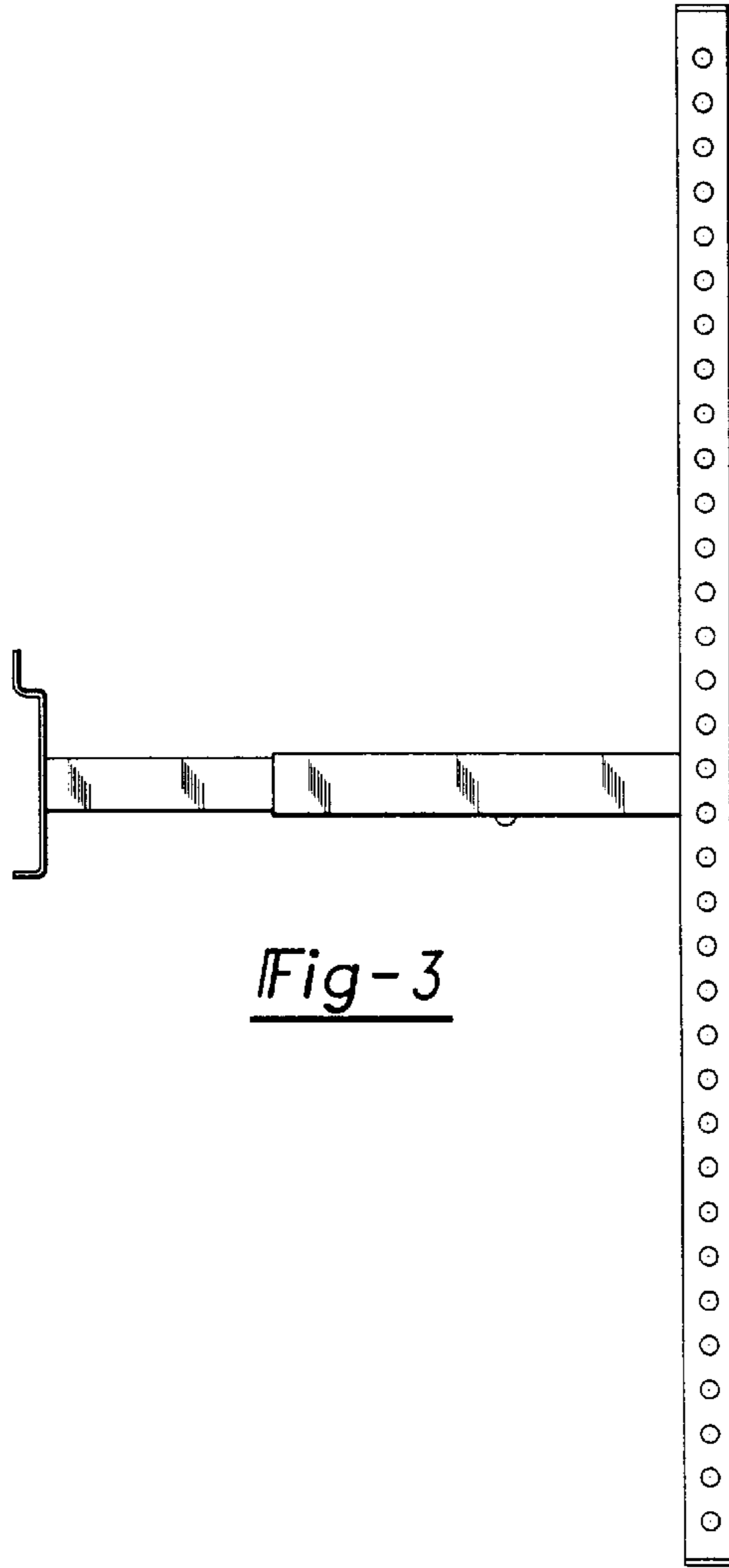


Fig-3

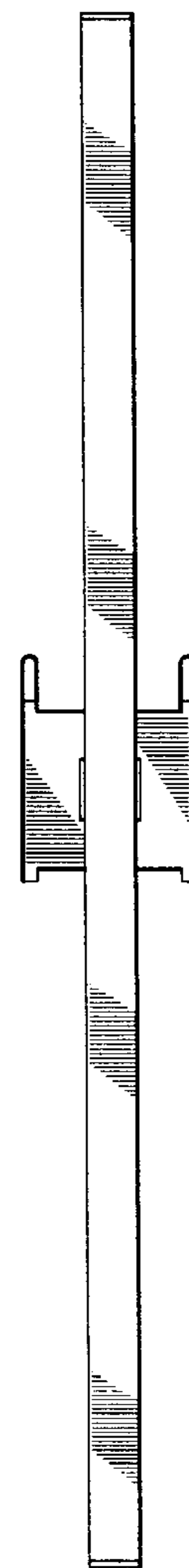


Fig-6

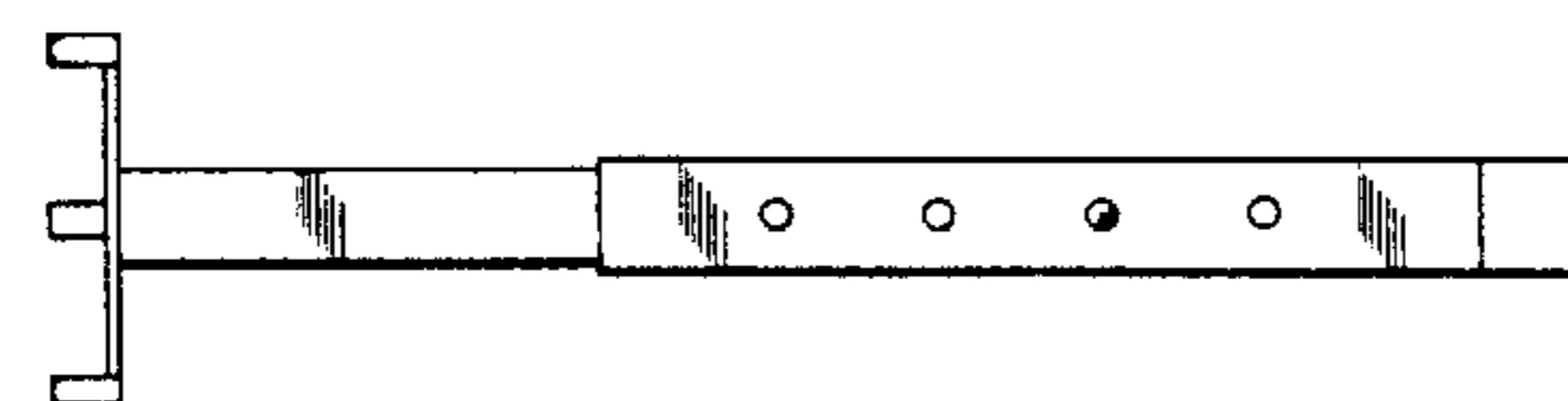


Fig-4

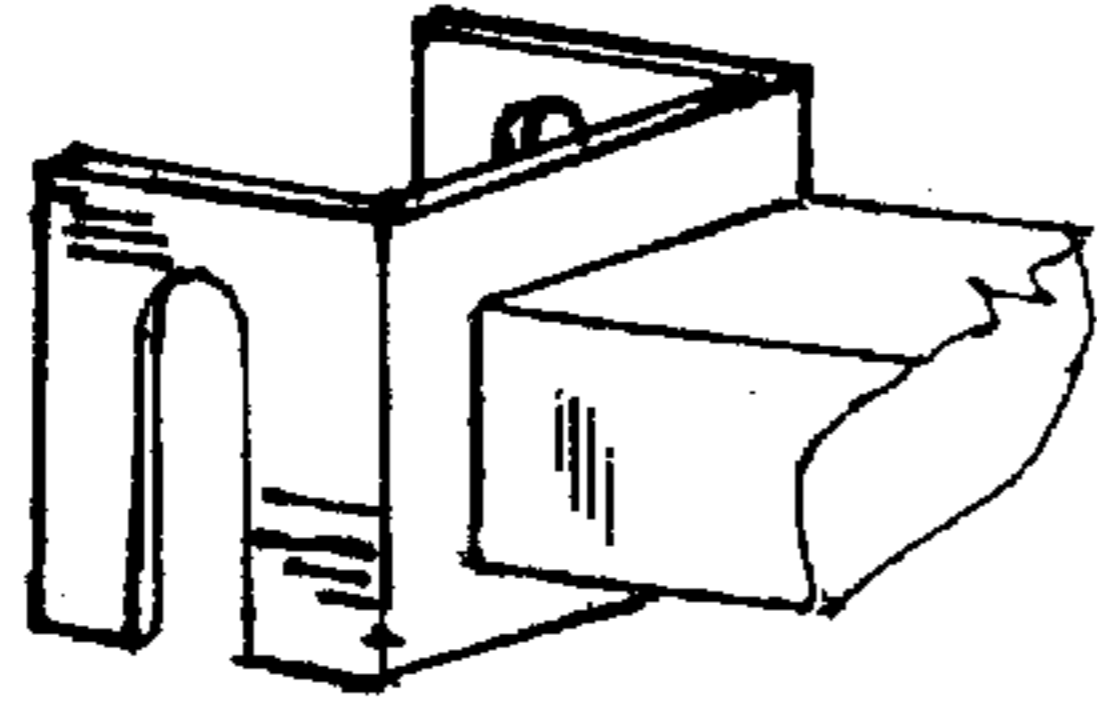


Fig-11

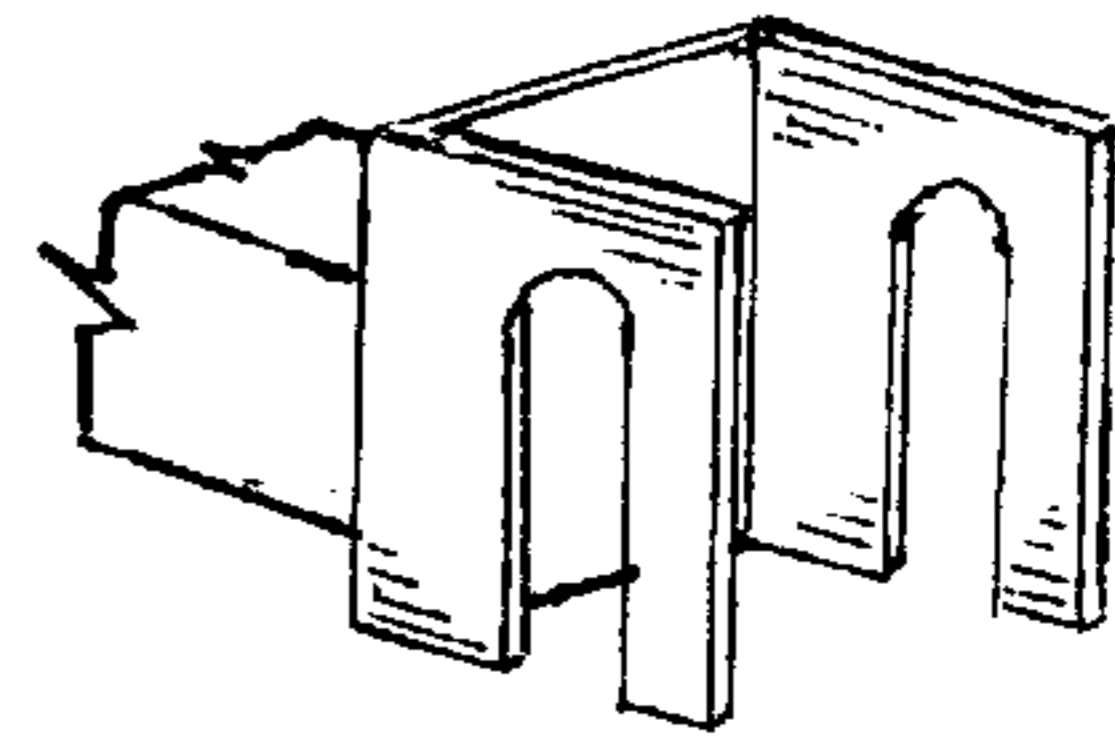


Fig-12

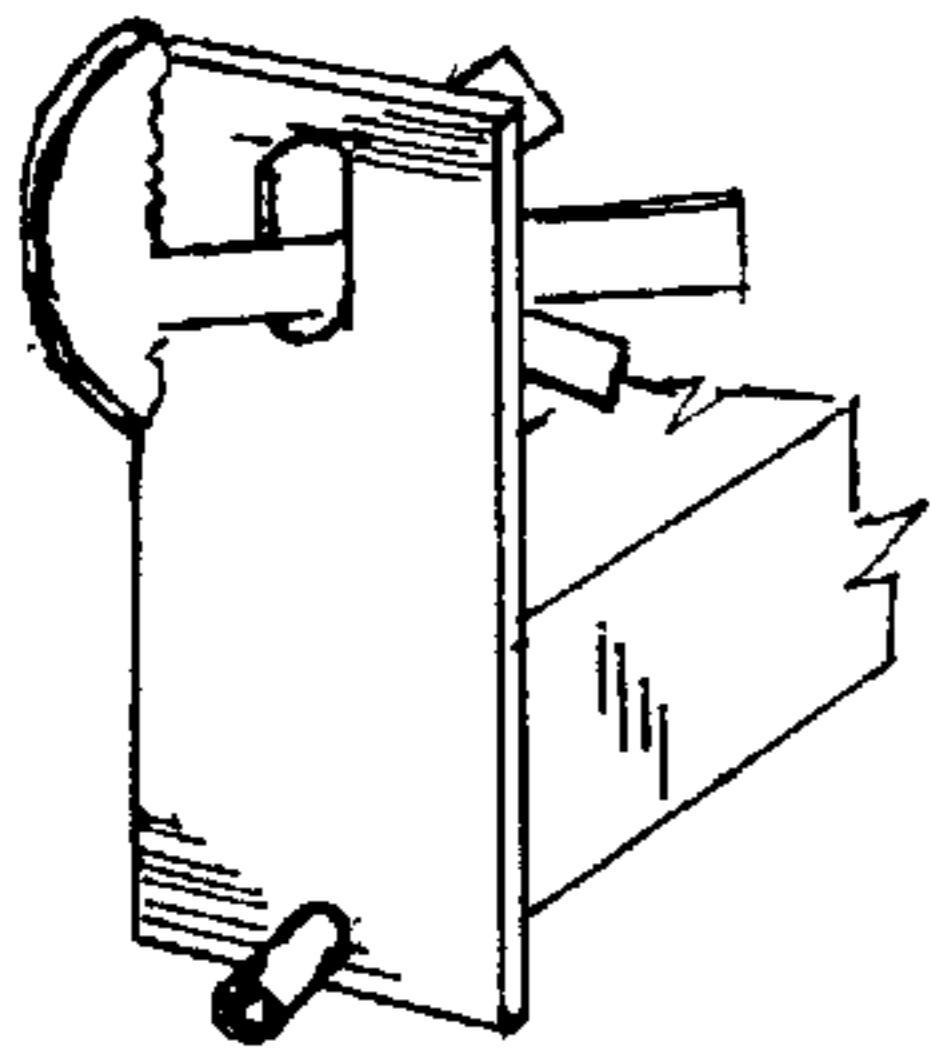


Fig-13

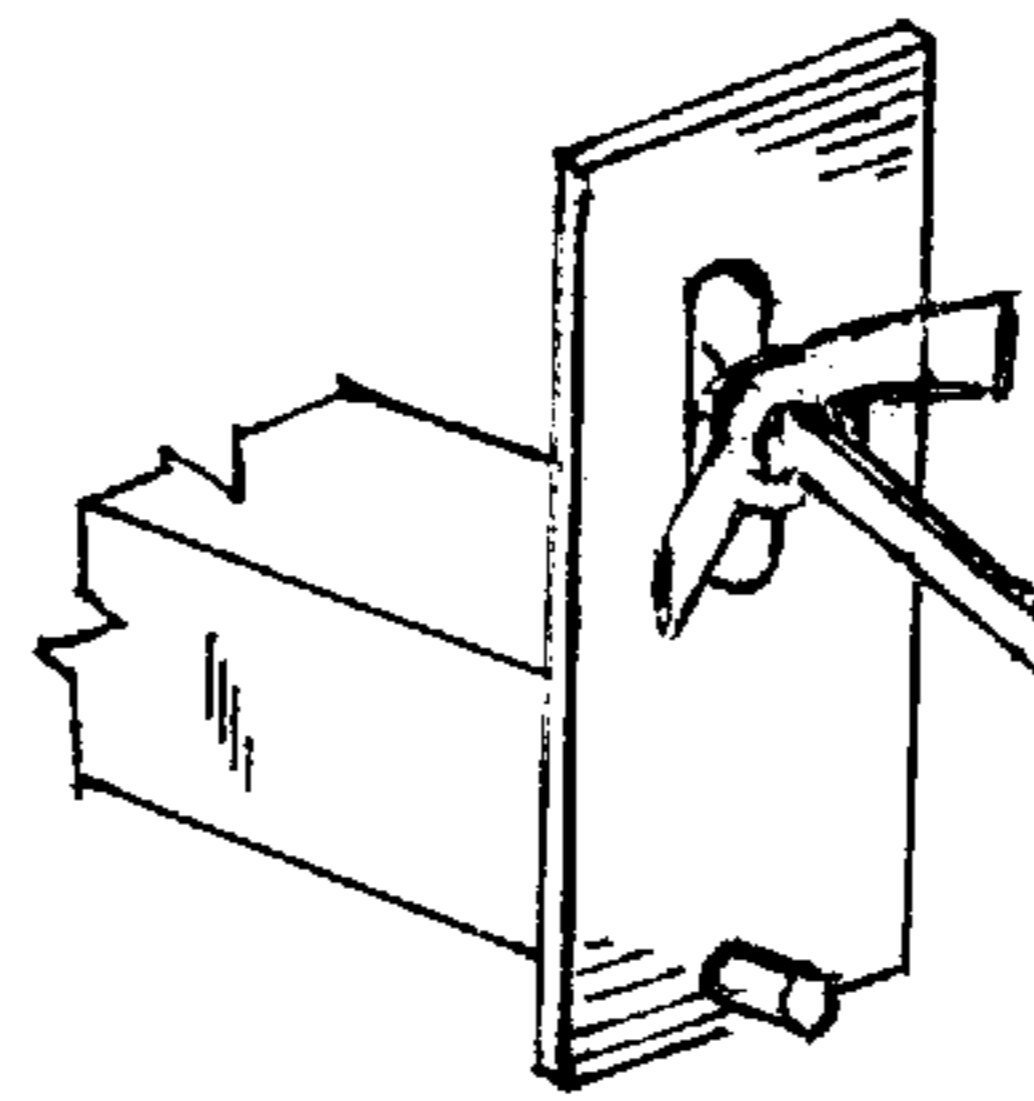


Fig-14