



US00D468947S

(12) **United States Design Patent**
Rafoth et al.

(10) **Patent No.:** **US D468,947 S**

(45) **Date of Patent:** **** Jan. 21, 2003**

(54) **SHELF SUPPORT**

(75) Inventors: **Steven F. Rafoth**, Port Townsend, WA (US); **John J. Rodrigues**, Port Townsend, WA (US)

(73) Assignee: **Enclume Design Products, Inc.**, Port Hadlock, WA (US)

(**) Term: **14 Years**

(21) Appl. No.: **29/152,041**

(22) Filed: **Dec. 10, 2001**

(51) **LOC (7) Cl.** **06-04**

(52) **U.S. Cl.** **D6/553**

(58) **Field of Search** D6/553, 567, 574;
D8/349, 354, 380; 211/13.1, 30, 32, 34,
86.01, 87.01, 88.01, 90.01, 90.03, 126.1,
134, 153

(56) **References Cited**

U.S. PATENT DOCUMENTS

- D282,995 S * 3/1986 Beverly D6/574 X
- 4,714,166 A 12/1987 Hann et al.
- D359,644 S * 6/1995 O'Briant et al. D6/574
- D392,133 S 3/1998 Chen
- D406,972 S 3/1999 McCoy
- D408,666 S 4/1999 Sorensen et al.
- D458,071 S * 6/2002 Hoernig D6/574

OTHER PUBLICATIONS

Enclume brochure depicting prior art ceiling racks, the brochure being published more than one year prior to the filing date of this application.

Chantal Cookware Corp. brochure depicting prior art Chantal pot rack published more than one year before the filing date of this application.

U.S. patent application No. 29/122,273, filed Apr. 20, 2000, Rafoth et al.

* cited by examiner

Primary Examiner—Brian N. Vinson

(74) *Attorney, Agent, or Firm*—Klarquist Sparkman LLP

(57) **CLAIM**

The ornamental design for a shelf support, as shown and described.

DESCRIPTION

FIG. 1 is a perspective view of a shelf support in accordance with one embodiment, the optional mounting holes in the upright support portions of the shelf support are shown in dashed lines and form no part of the design.

FIG. 2 is a side view of the shelf support of FIG. 1 looking from the right side of FIG. 1, it being understood that the side view from the left side is a mirror image of the view shown in FIG. 2.

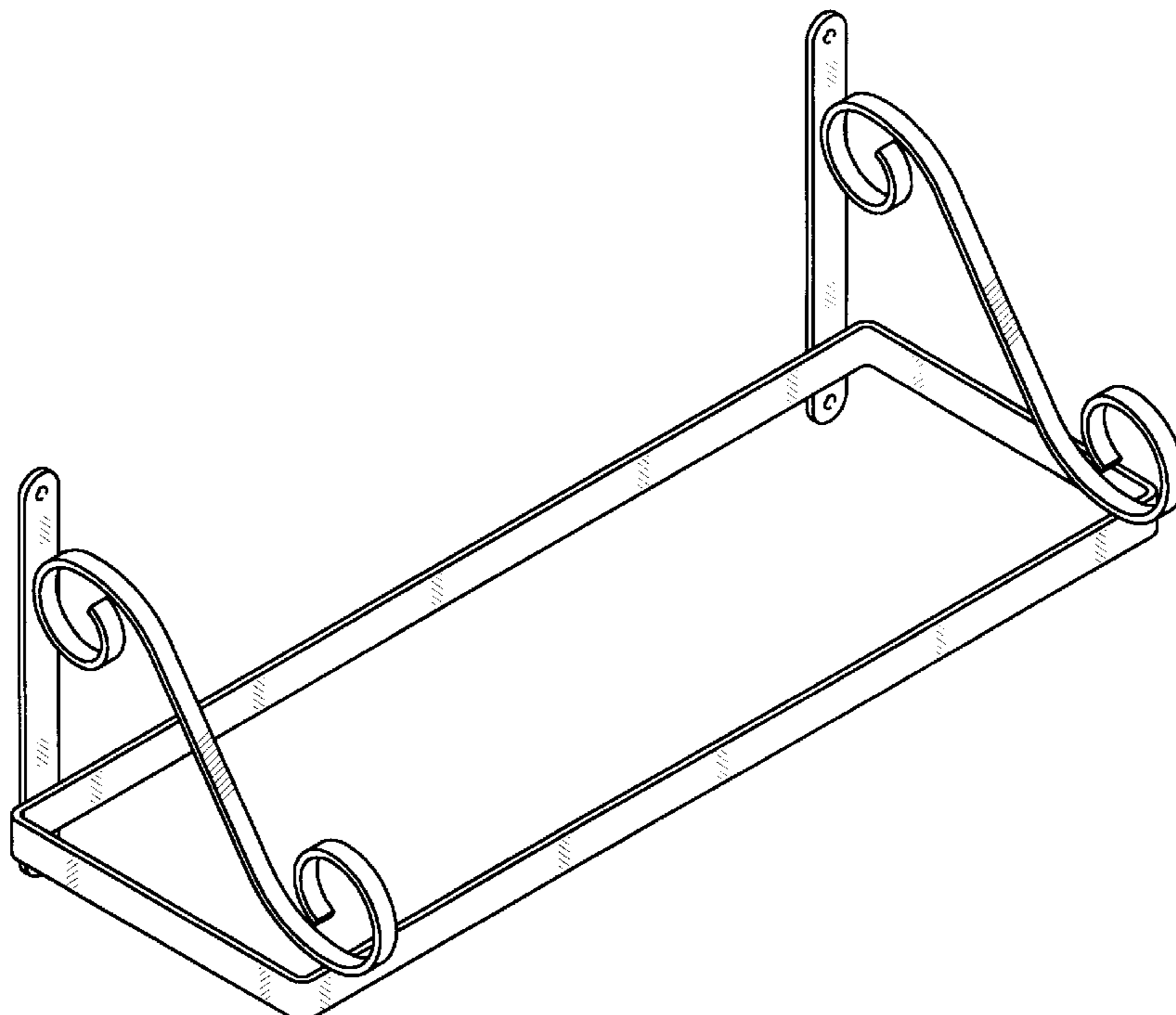
FIG. 3 is a top view of the shelf support of FIG. 1.

FIG. 4 is a front view of the shelf support of FIG. 1, it being understood that the rearview is hidden during normal use of the shelf support and the rear surfaces, which may be planar, form no part of the ornamental design.

FIG. 5 illustrates a bottom view of the shelf support of FIG. 1; and,

FIG. 6 is a perspective view of a shelf support of FIG. 1 shown in an alternative orientation to illustrate an alternative mounting position of the shelf support of FIG. 1.

1 Claim, 3 Drawing Sheets



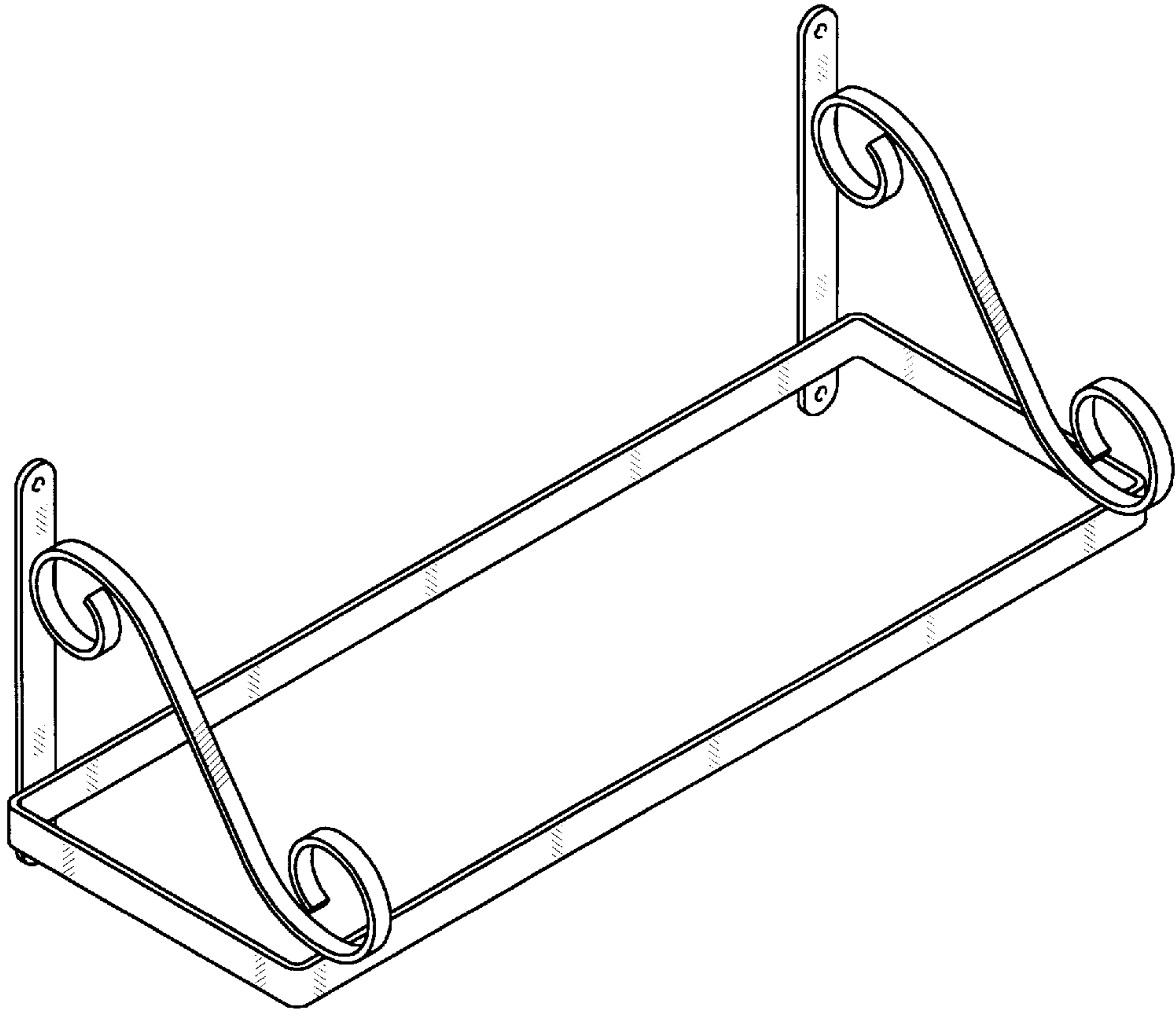


FIG. 1

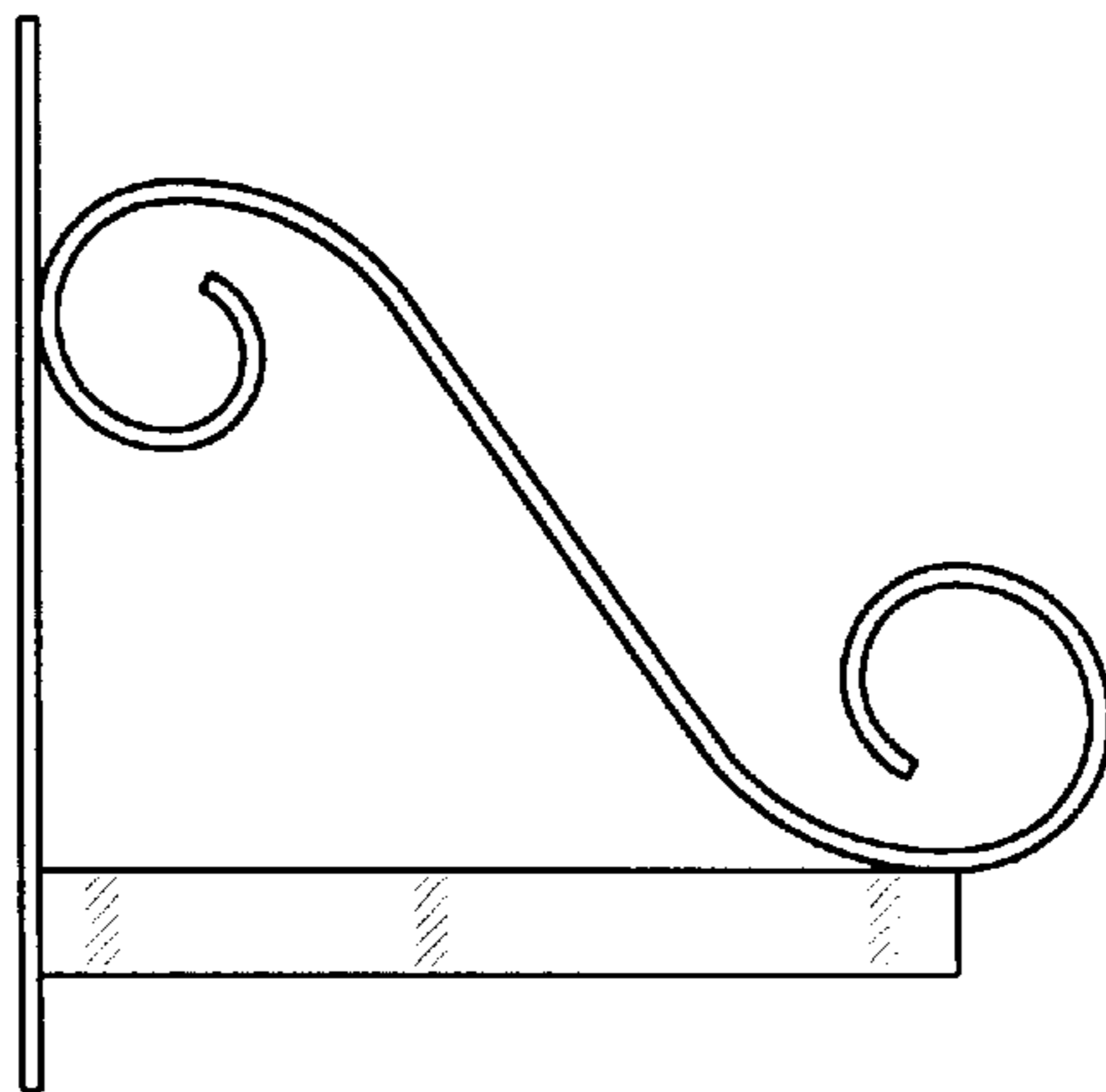


FIG. 2

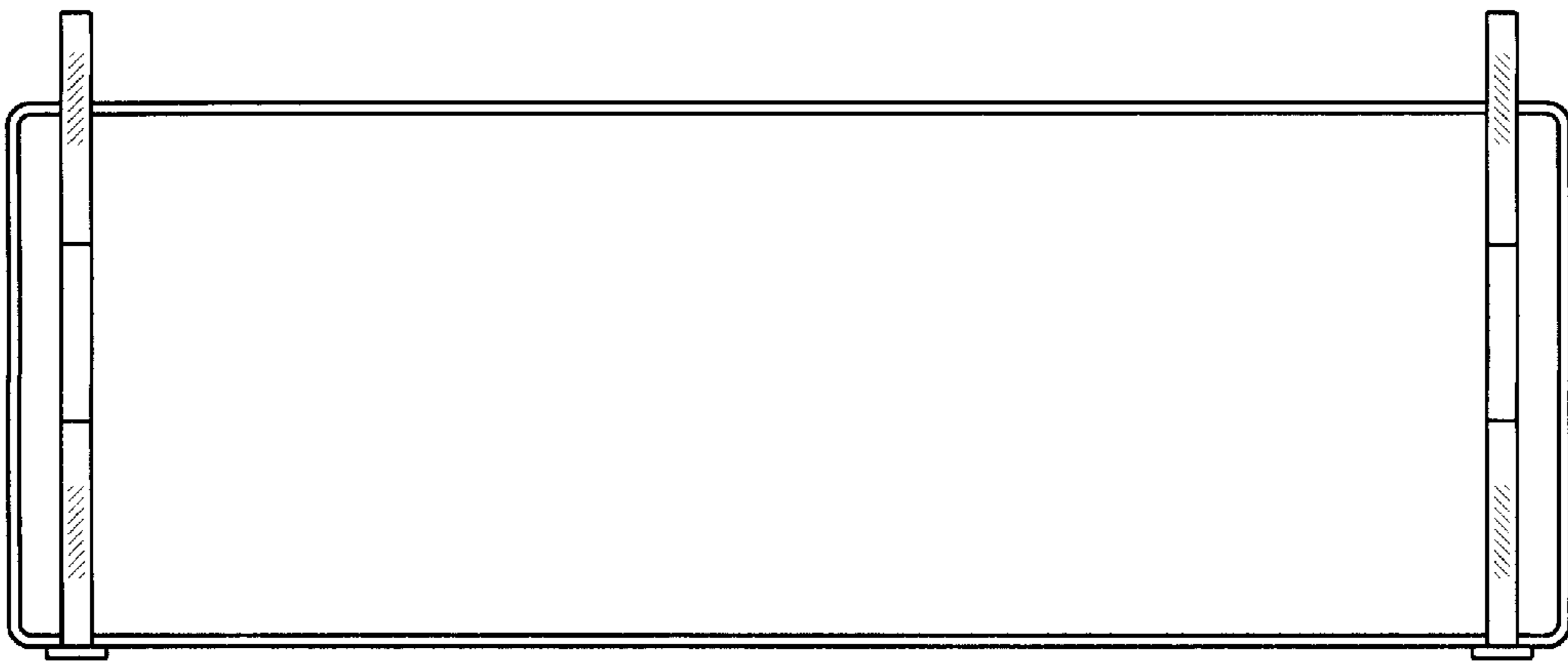


FIG. 3

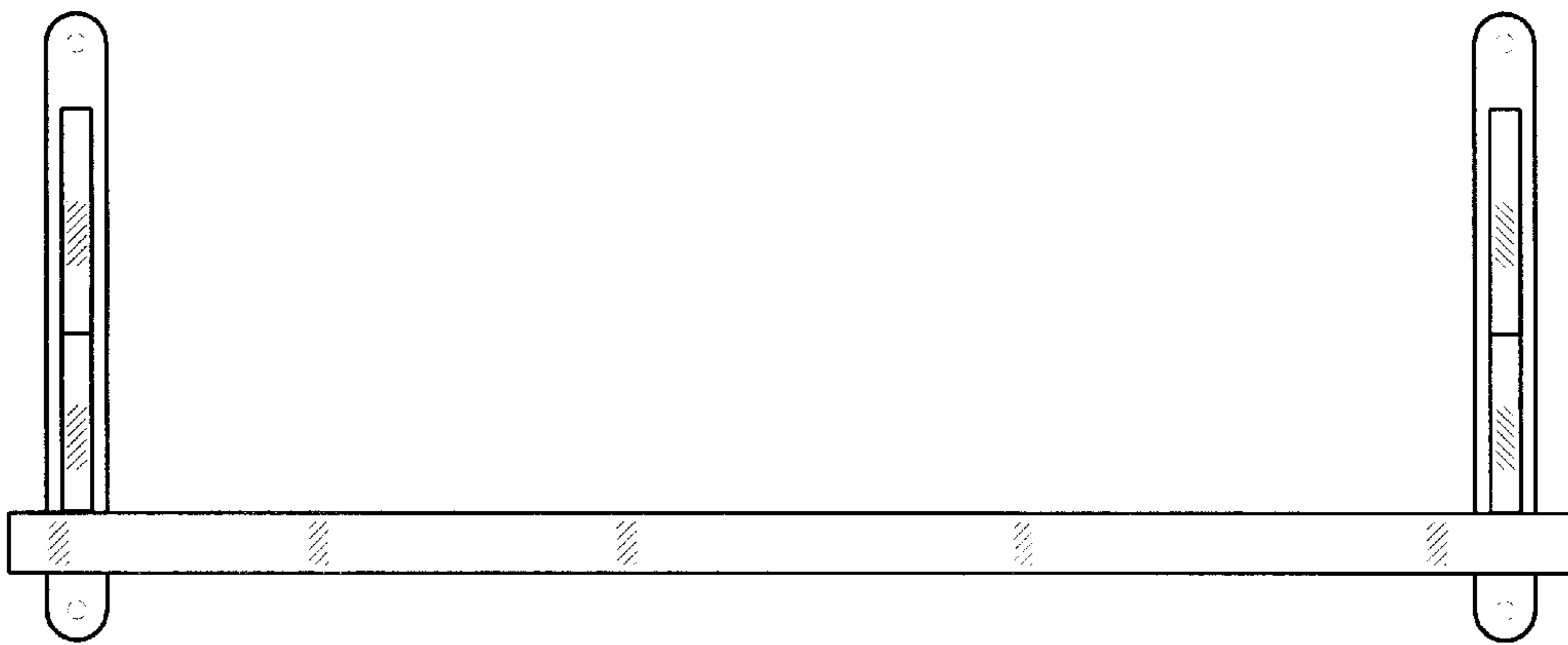


FIG. 4

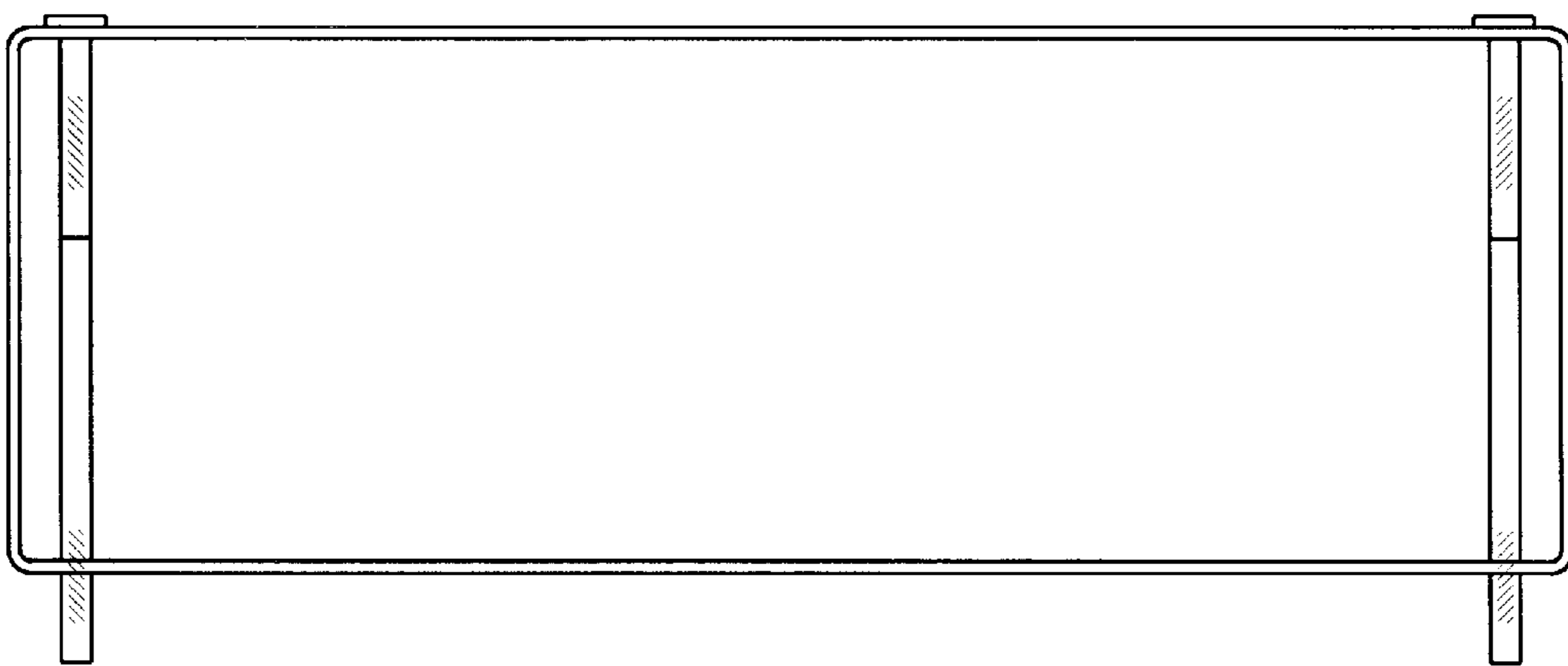


FIG. 5

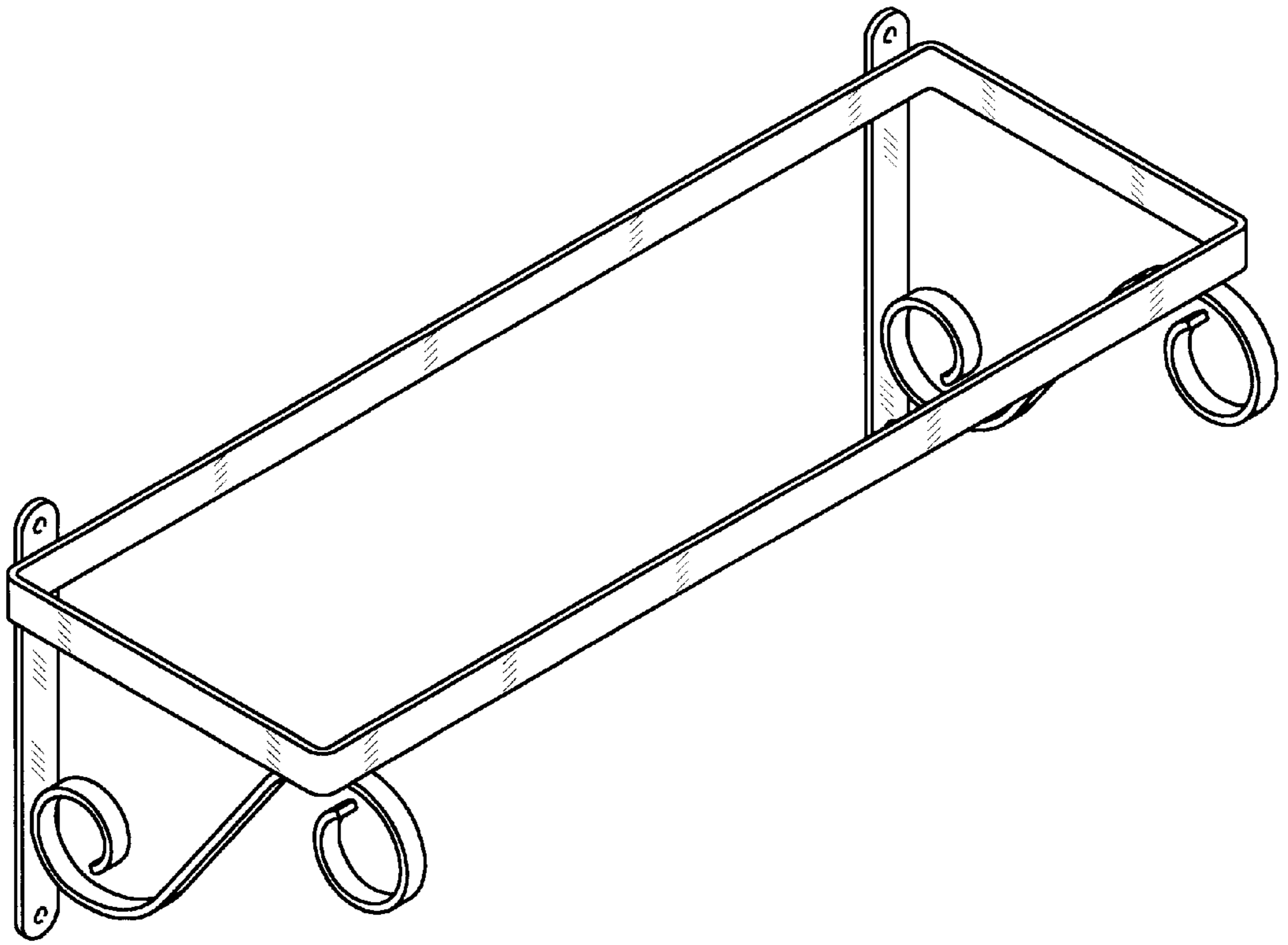


FIG. 6