



US00D468942S

(12) **United States Design Patent**  
**Rafoth et al.**

(10) **Patent No.:** **US D468,942 S**  
(45) **Date of Patent:** **\*\* Jan. 21, 2003**

(54) **OVAL CEILING RACK FOR POTS, PANS AND UTENSILS**

(75) Inventors: **Steven F. Rafoth**, Port Townsend, WA (US); **John J. Rodrigues**, Port Townsend, WA (US)

(73) Assignee: **Enclume Design Products, Inc.**, Port Hadlock, WA (US)

(\*\*) Term: **14 Years**

(21) Appl. No.: **29/152,037**

(22) Filed: **Dec. 10, 2001**

(51) **LOC (7) Cl.** ..... **06-06**

(52) **U.S. Cl.** ..... **D6/513**

(58) **Field of Search** ..... D6/512-514; 211/13.1, 211/70.1, 70.6, 71.01, 86.01, 113, 119; 248/200, 302, 309.1, 317, 318, 338, 340, 343

(56) **References Cited**

**U.S. PATENT DOCUMENTS**

D243,489 S	*	3/1977	Moore	.....	D6/514
4,714,166 A		12/1987	Hann et al.		
D335,986 S	*	6/1993	Saffell	.....	D6/514
D353,502 S	*	12/1994	Liu	.....	D6/514
D392,133 S		3/1998	Chen		
D406,972 S		3/1999	McCoy		
D408,666 S		4/1999	Sorensen et al.		

**OTHER PUBLICATIONS**

Enclume brochure depicting prior art ceiling racks, the brochure being published more than one year prior to the filing date of this application.

Chantal Cookware Corp. brochure depicting prior art Chantal pot rack published more than one year before the filing date of this application.

Pat. application No. 29/122,273, filed Apr. 20, 2000, Rafoth et al.

\* cited by examiner

*Primary Examiner*—Brian N. Vinson

(74) *Attorney, Agent, or Firm*—Klarquist Sparkman LLP

(57) **CLAIM**

The ornamental design for an oval ceiling rack for pots, pans and utensils, as shown and described.

**DESCRIPTION**

FIG. 1 is a perspective view of a ceiling rack in accordance with one embodiment, the optional mounting holes in the upper cross-piece portion of the ceiling rack are shown in dashed lines and form no part of the design.

FIG. 2 is a side view of the oval ceiling rack of FIG. 1 looking from the right side of FIG. 1, it being understood that the side view from the left side is a mirror image of the view shown in FIG. 2.

FIG. 3 is a top view of the oval ceiling rack of FIG. 1.

FIG. 4 is a front view of a oval ceiling rack of FIG. 1, it being understood that the rearview is the same as the front view.

FIG. 5 illustrates a bottom view of the oval ceiling rack of FIG. 1.

FIG. 6 is a perspective view of an alternative form of oval ceiling rack having one form of a grid.

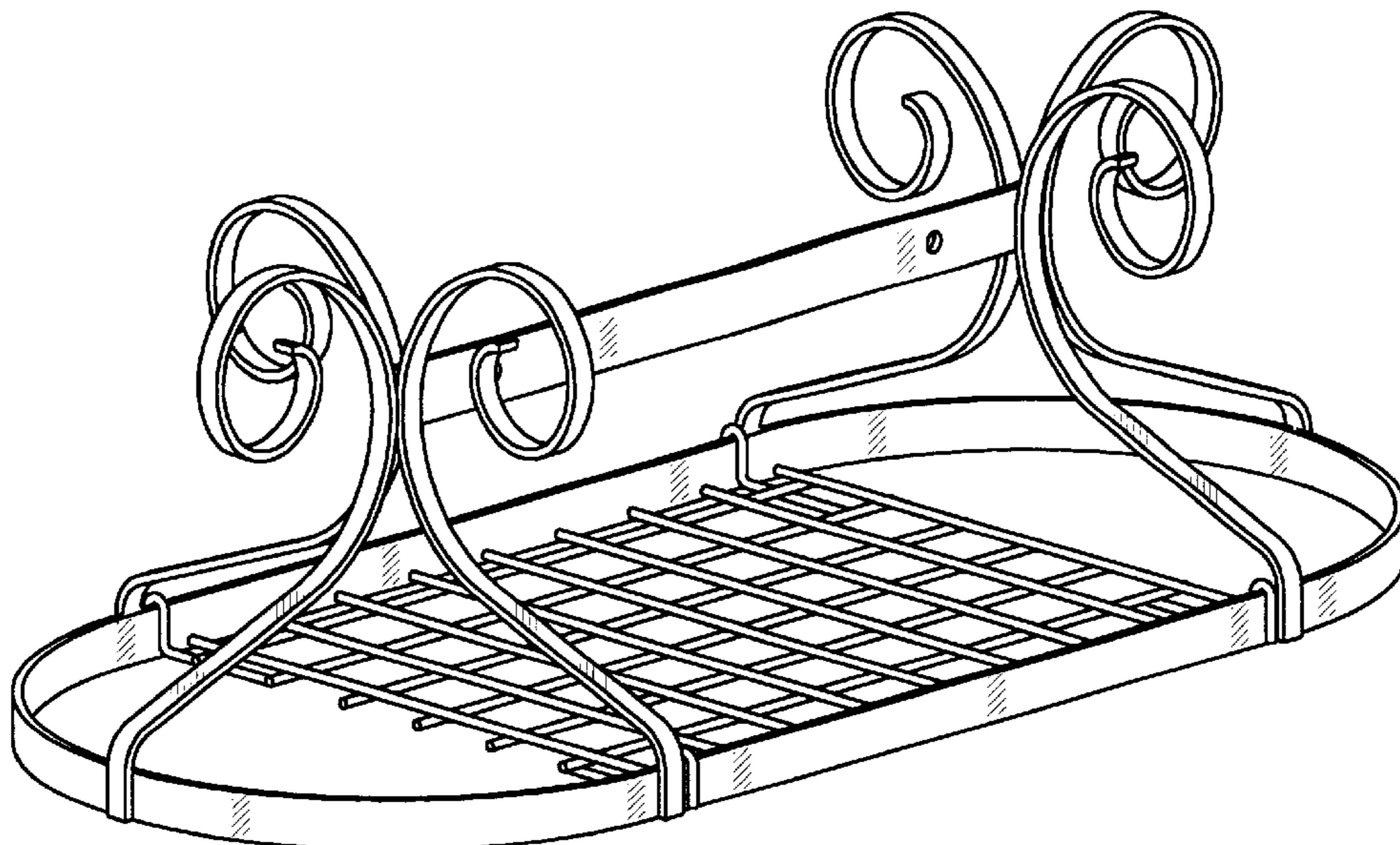
FIG. 7 is a side view of the oval ceiling rack of FIG. 6 looking from the right side of FIG. 6, it being understood that the side view from the left side is a mirror image of the view shown in FIG. 6.

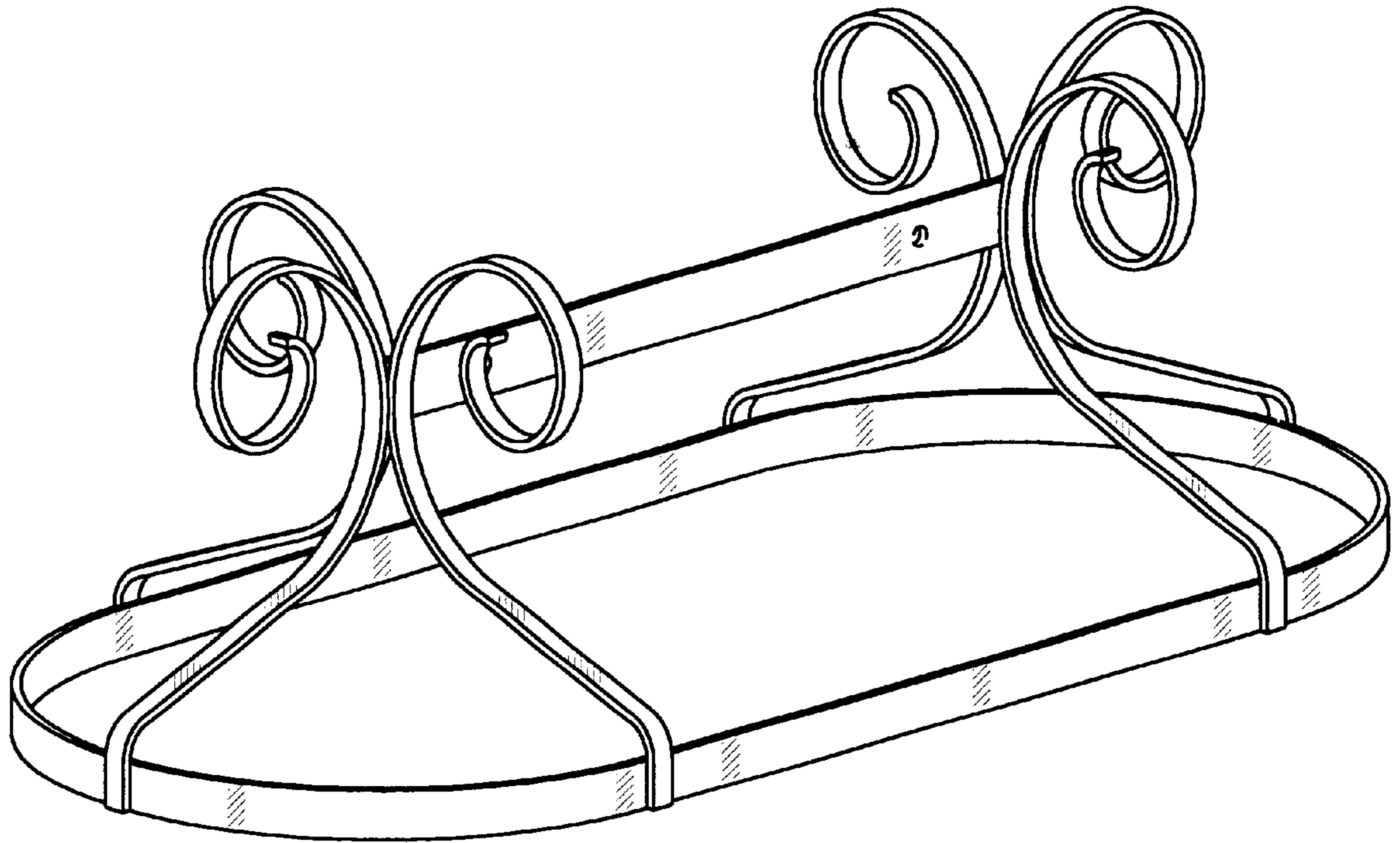
FIG. 8 is a top view of the oval ceiling rack of FIG. 6.

FIG. 9 is a front view of the oval ceiling rack of FIG. 6, it being understood that the rearview is the same as the front view; and,

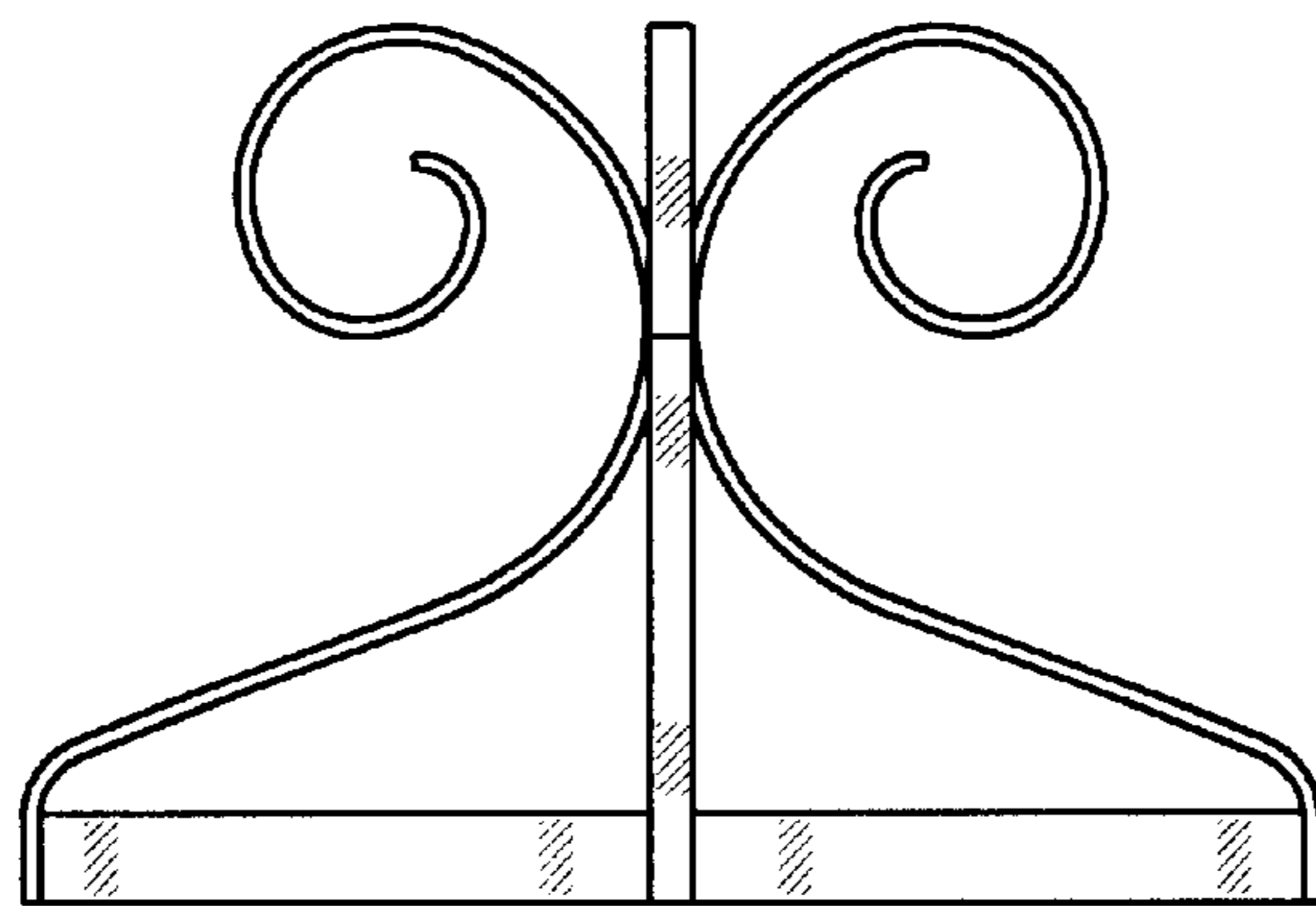
FIG. 10 illustrates a bottom view of the oval ceiling rack of FIG. 6.

**1 Claim, 4 Drawing Sheets**





**FIG. 1**



**FIG. 2**

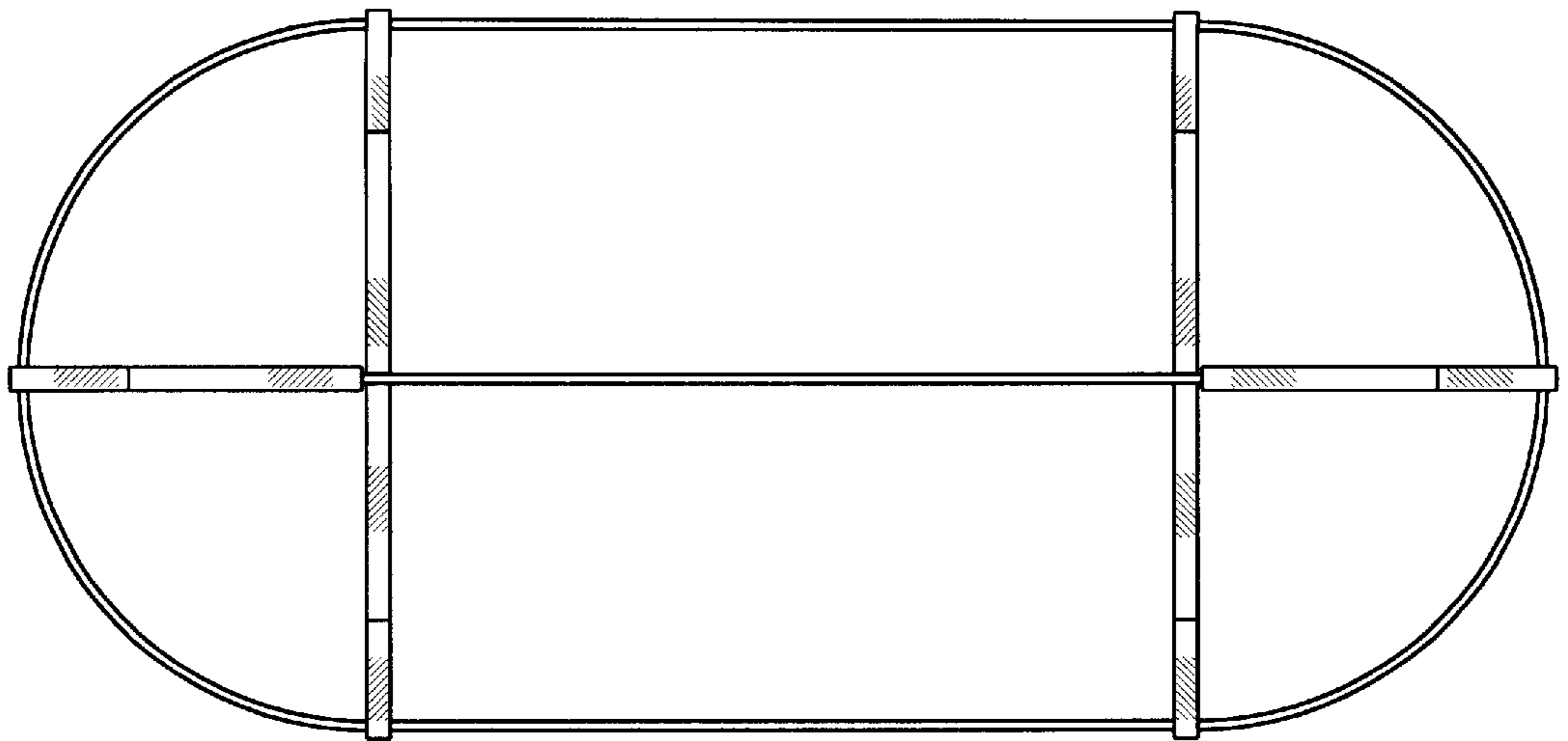


FIG. 3

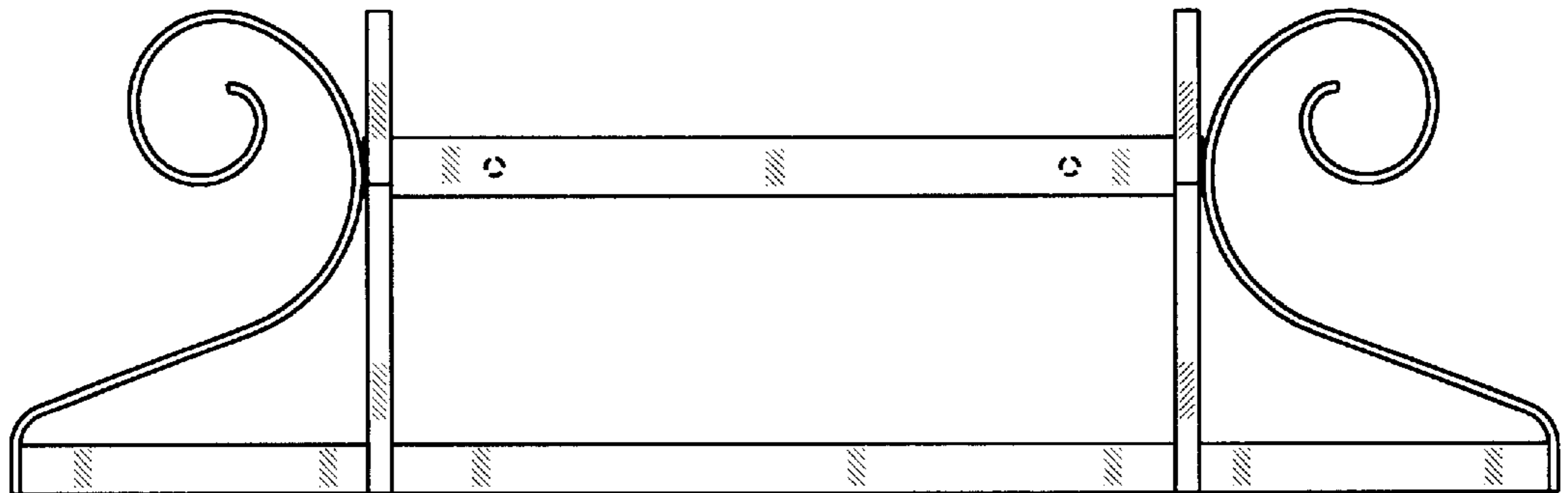


FIG. 4

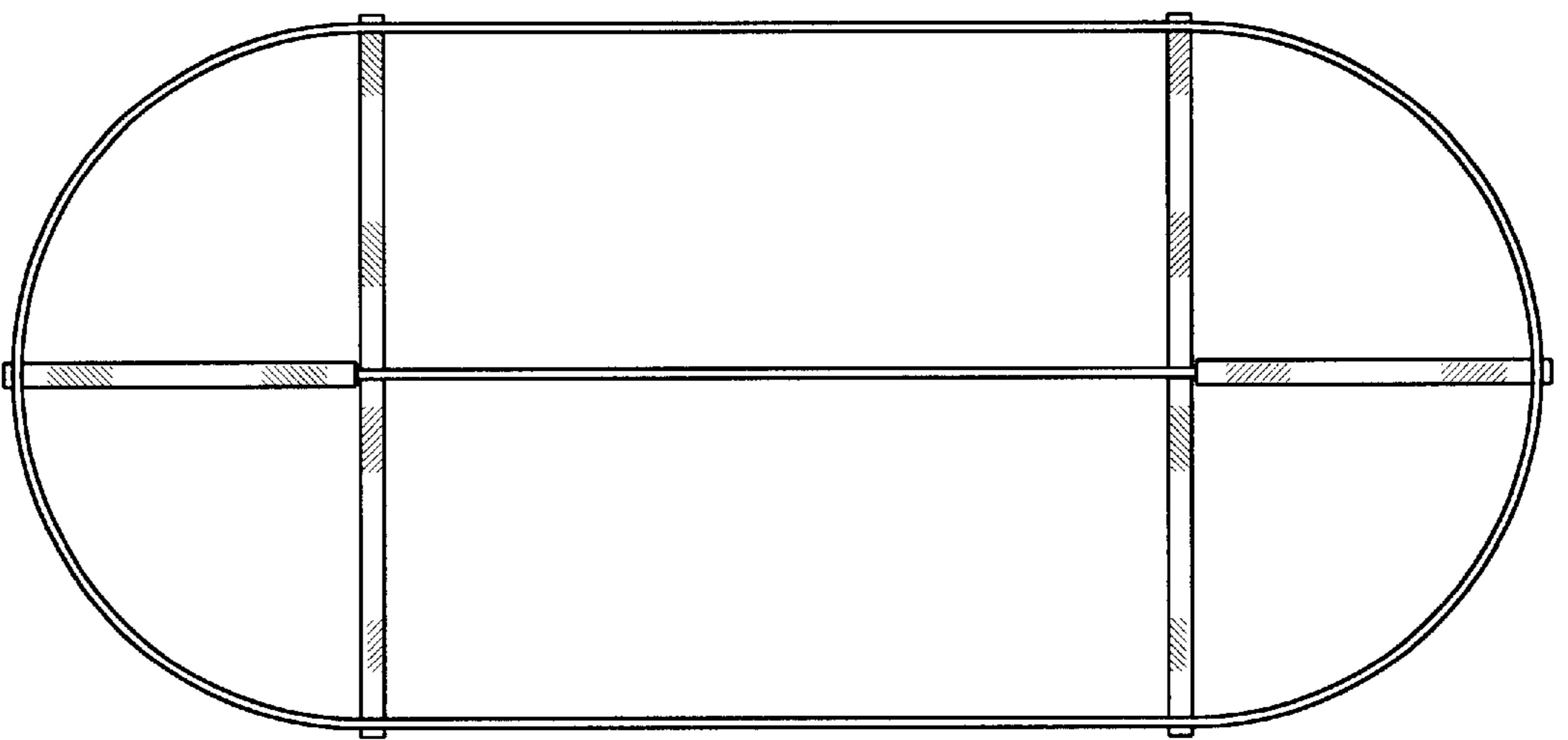


FIG. 5

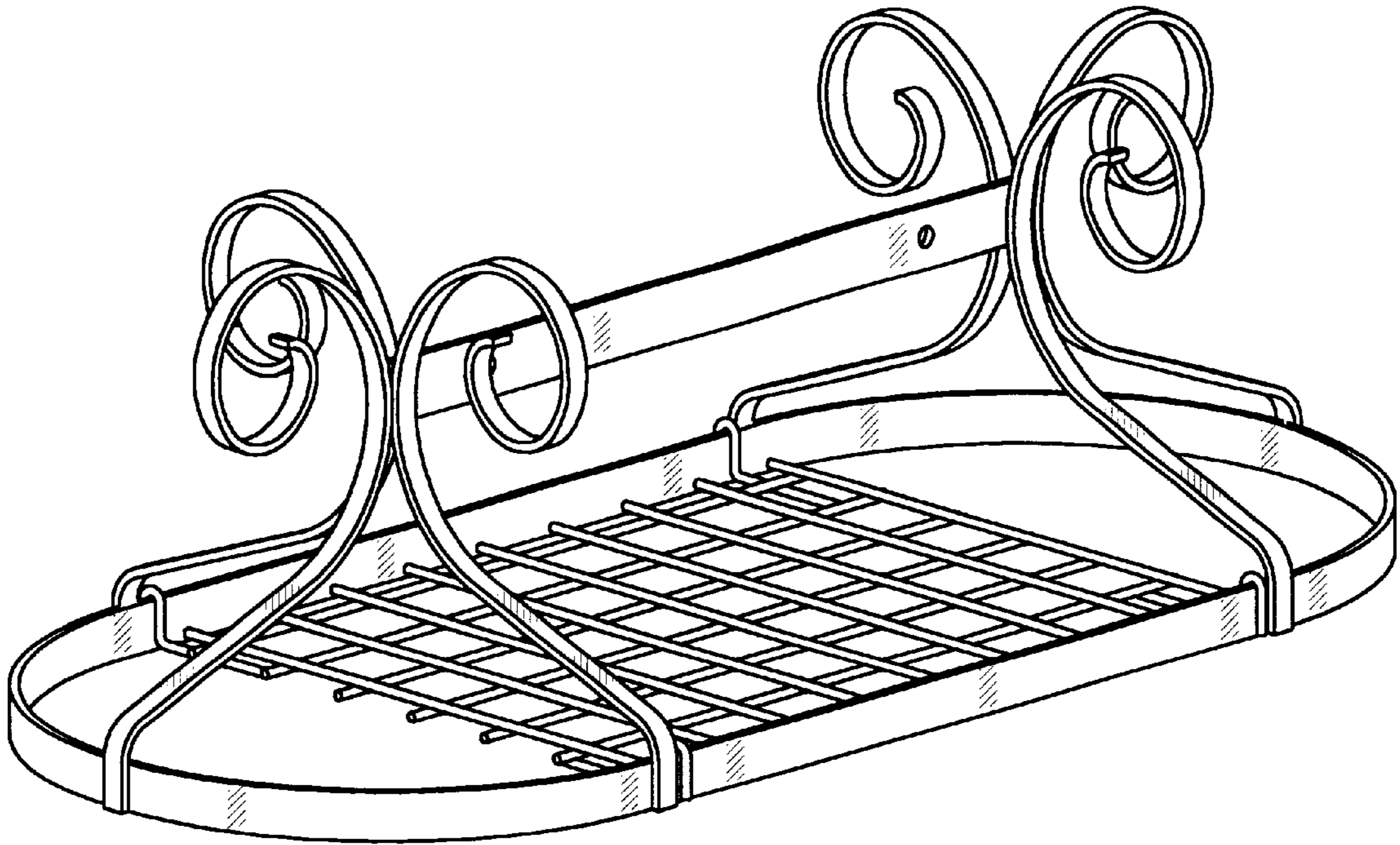


FIG. 6

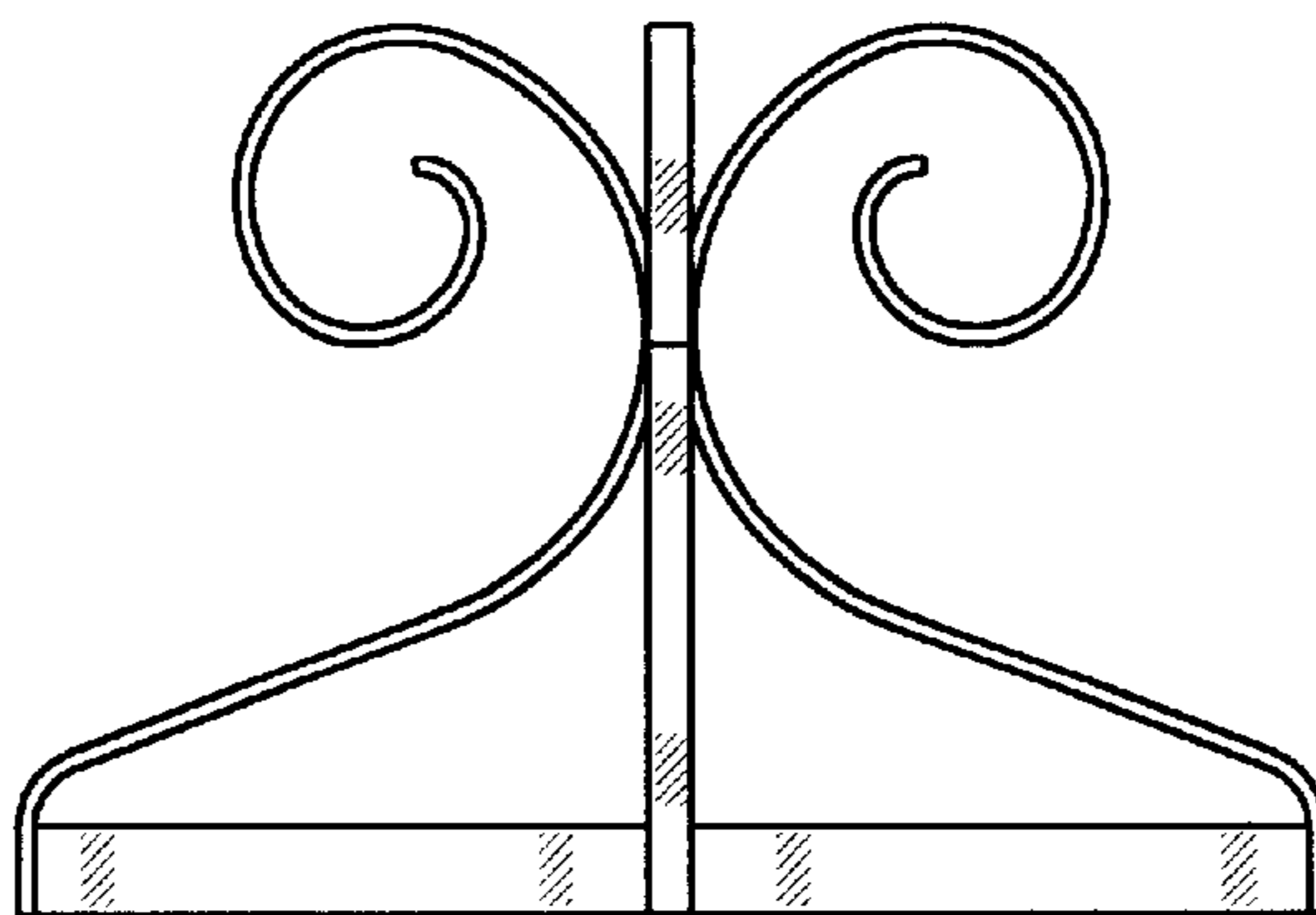


FIG. 7

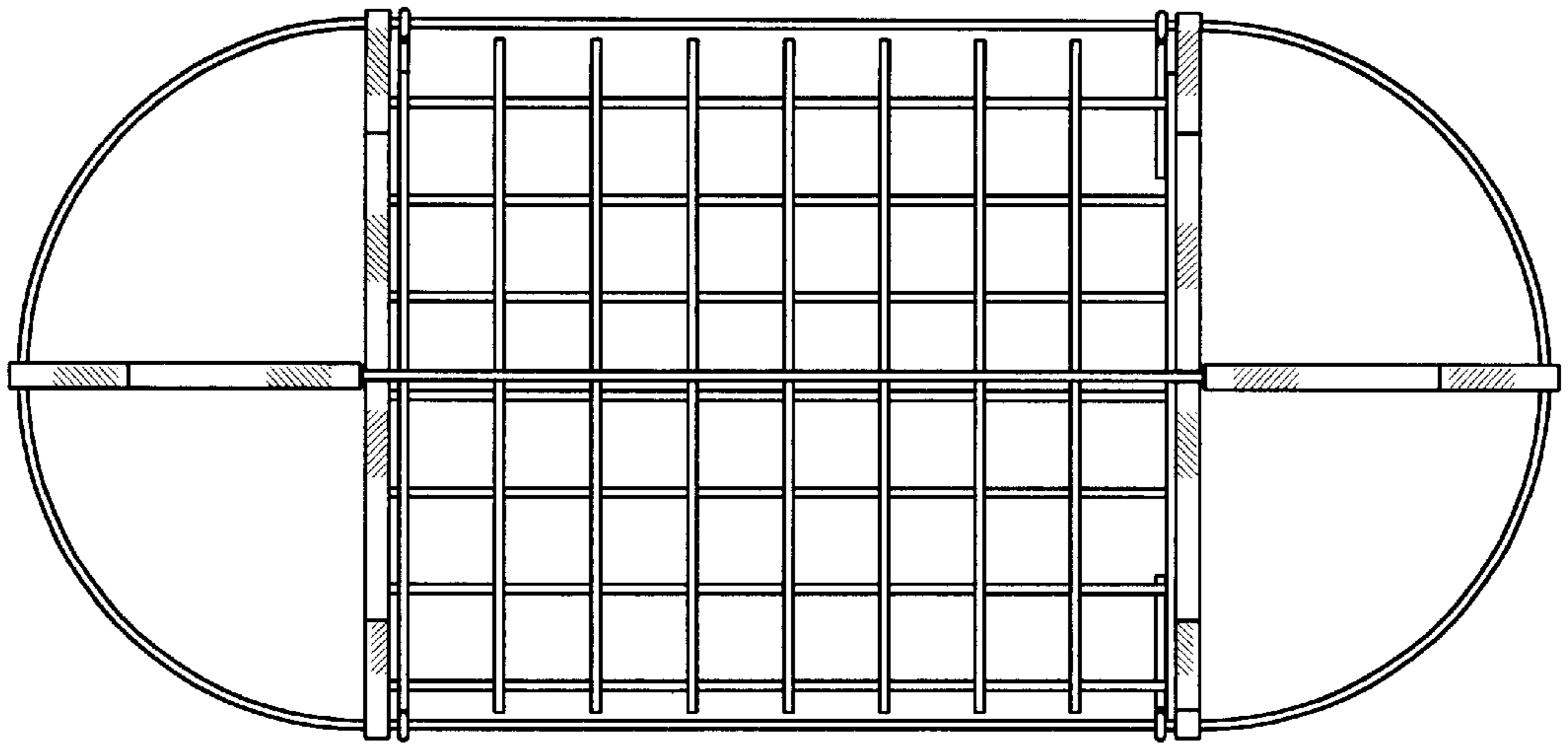


FIG. 8

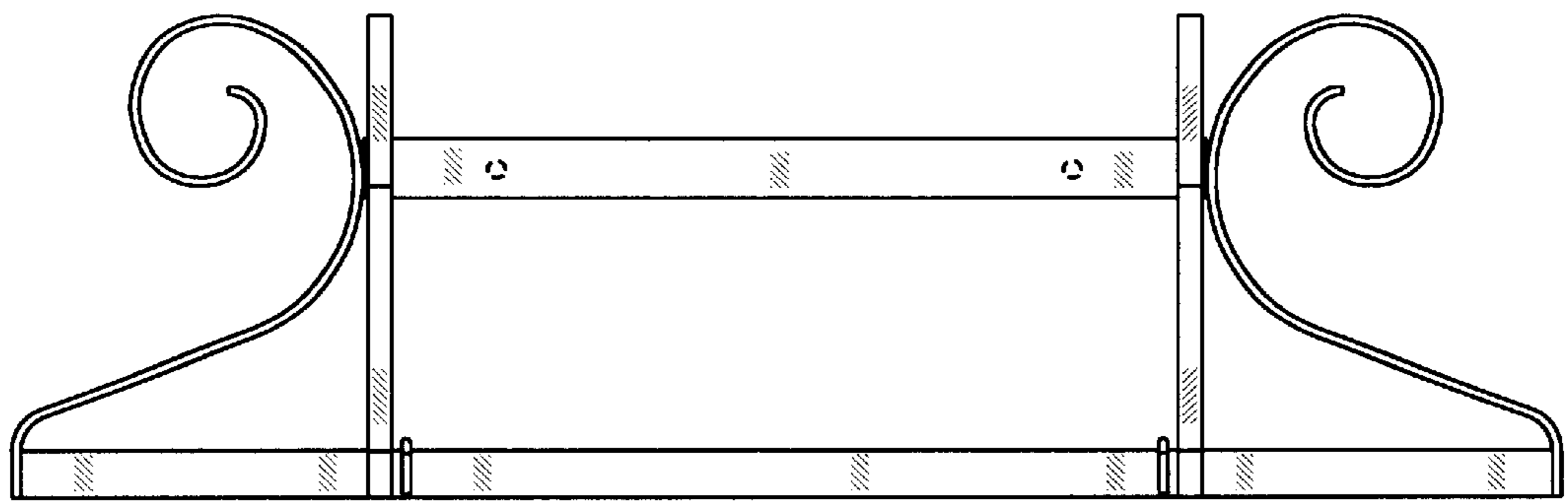


FIG. 9

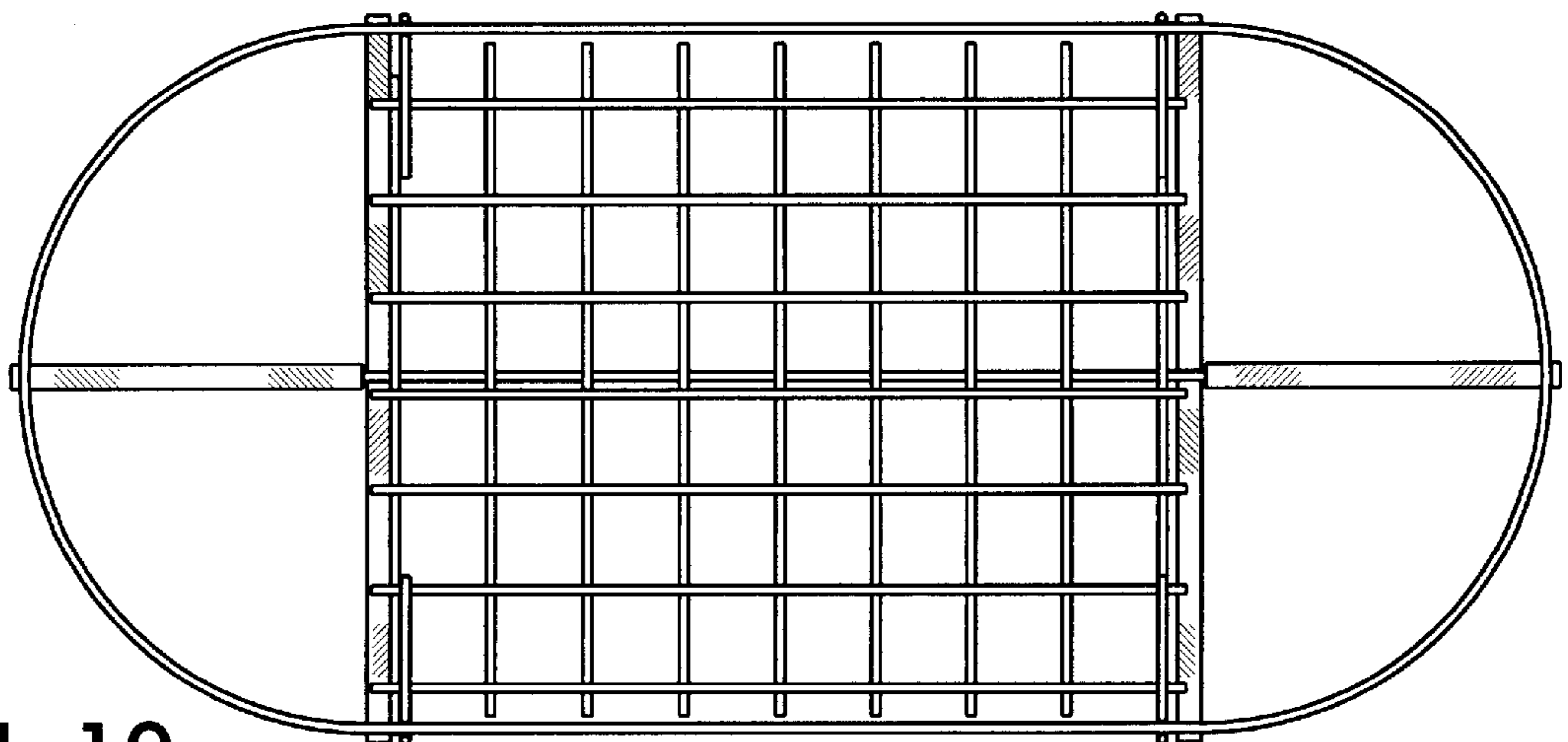


FIG. 10