



US00D468940S

(12) **United States Design Patent**  
**Chen**

(10) **Patent No.:** **US D468,940 S**

(45) **Date of Patent:** **\*\* Jan. 21, 2003**

(54) **CHAIR CONTROL MECHANISM**

(76) Inventor: **Su-Ming Chen**, No. 566, Fong-Lin 2nd Road, Ta-Liao Hsiang, Kaohsiung Hsien (TW)

(\*\*) Term: **14 Years**

(21) Appl. No.: **29/159,851**

(22) Filed: **Apr. 29, 2002**

(51) **LOC (7) Cl.** ..... **06-06**

(52) **U.S. Cl.** ..... **D6/500**

(58) **Field of Search** ..... D6/334, 364, 365, D6/366, 367, 500, 501, 502; 248/161, 578; 297/344.12, 344.18, 344.19, 344.21, 463.1

(56) **References Cited**

**U.S. PATENT DOCUMENTS**

D252,661 S \* 8/1979 Bowman ..... D6/500  
D377,283 S \* 1/1997 Su ..... D6/500  
6,322,144 B1 \* 11/2001 Gebhard ..... 297/344.19

\* cited by examiner

*Primary Examiner*—Gary D. Watson

(74) *Attorney, Agent, or Firm*—Merchant & Gould

(57) **CLAIM**

The ornamental design for chair control mechanism, as shown and described.

**DESCRIPTION**

FIG. 1 is a perspective view of chair control mechanism showing the new design;

FIG. 2 is a front elevational view thereof;

FIG. 3 is a rear elevational view thereof;

FIG. 4 is a left side elevational view thereof;

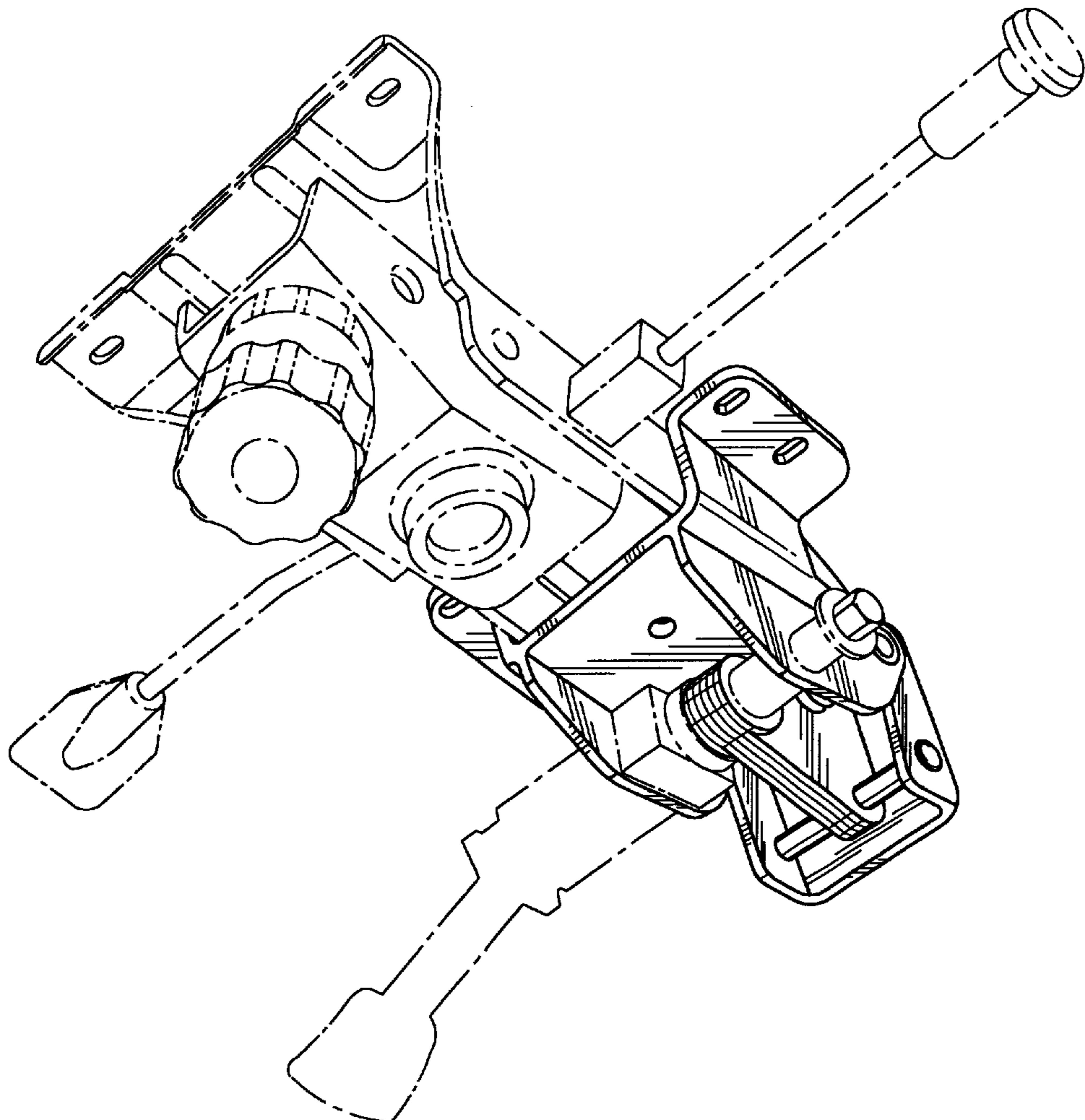
FIG. 5 is a right side elevational view thereof;

FIG. 6 is a top plan view thereof; and,

FIG. 7 is a bottom plan view thereof.

The portions of the figures shown in dashed lines do not form part of the design.

**1 Claim, 7 Drawing Sheets**



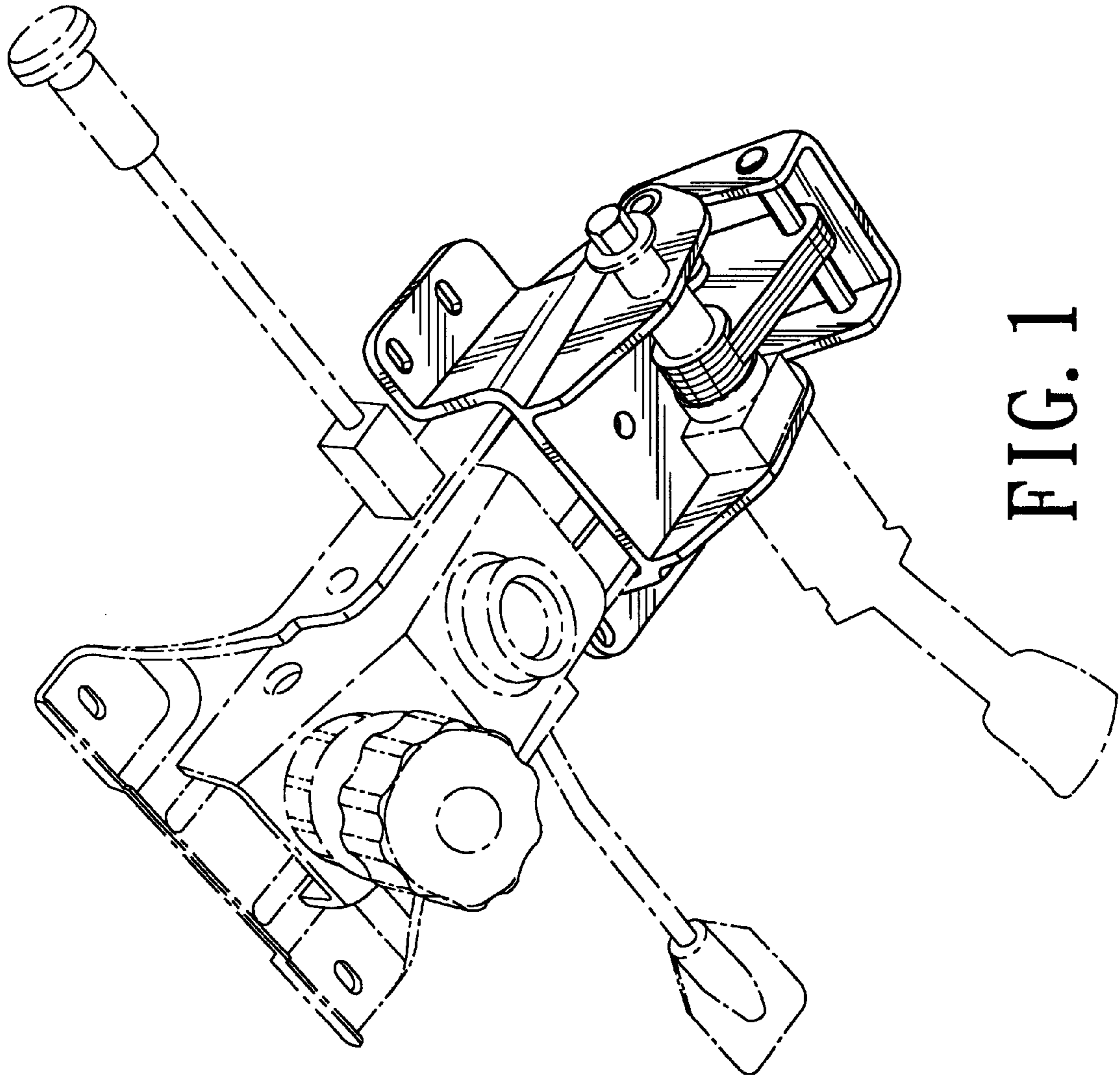


FIG. 1

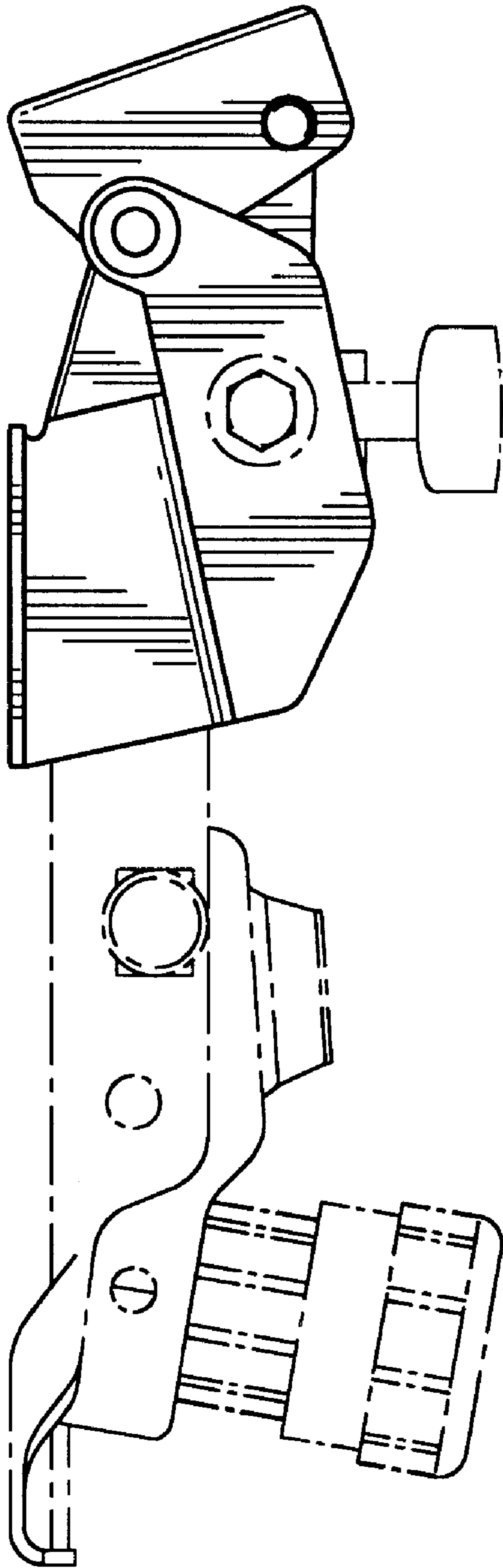


FIG. 2

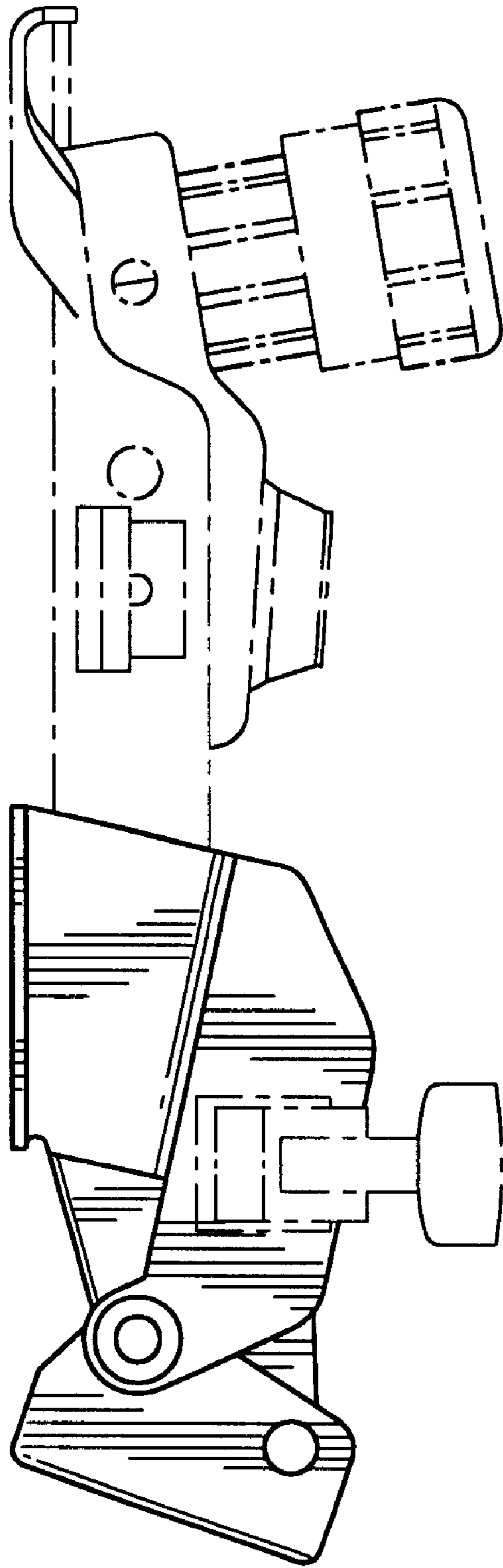


FIG. 3

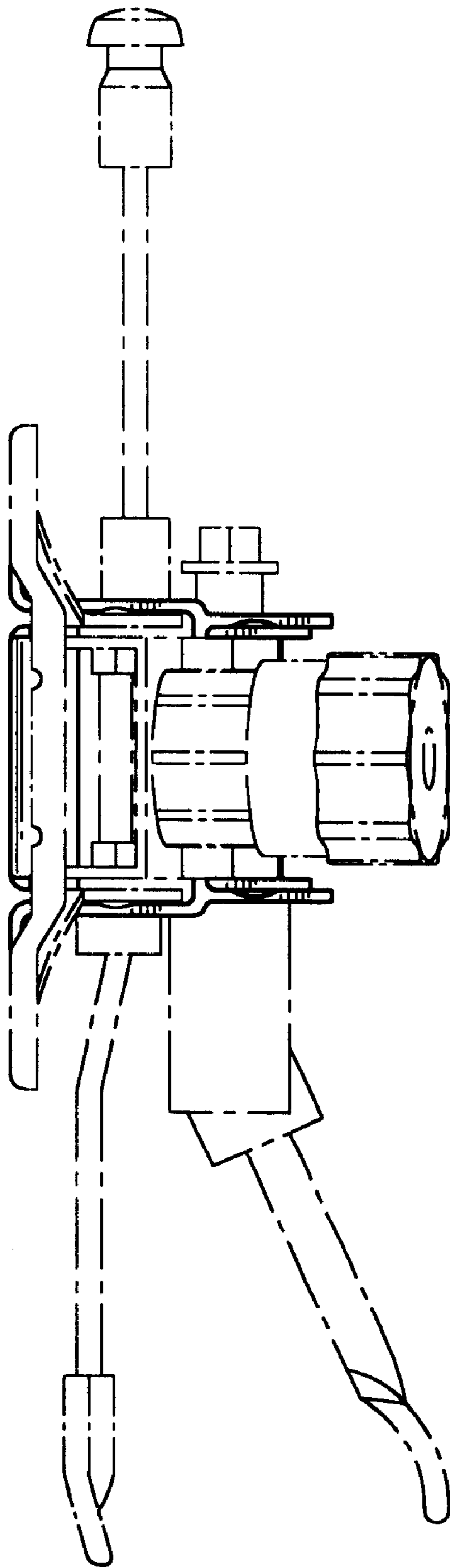


FIG. 4

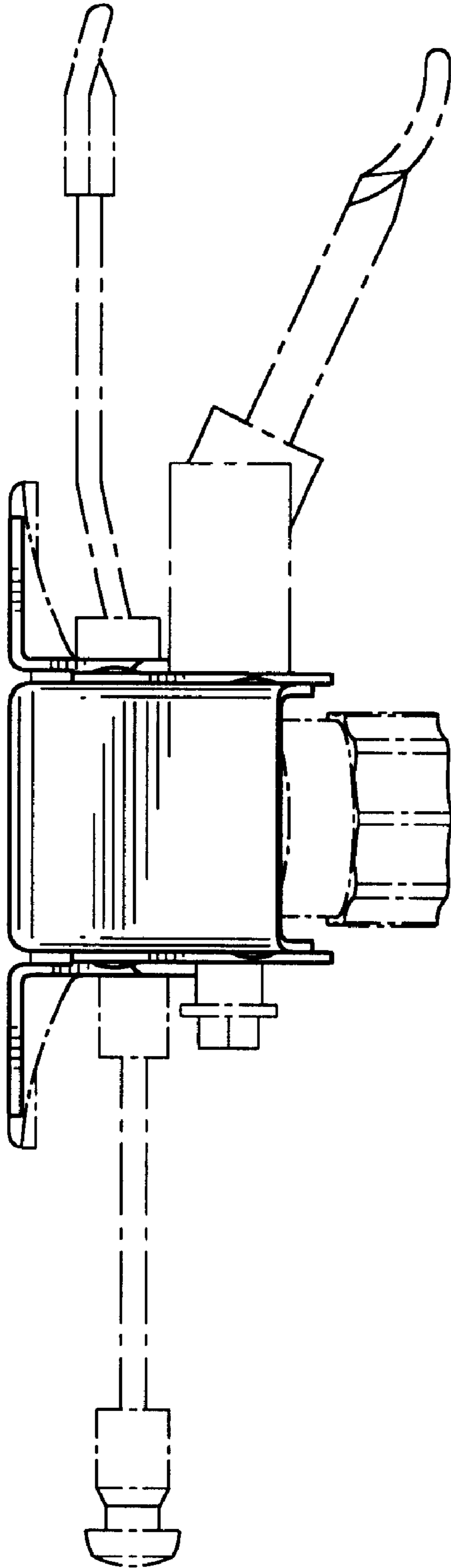


FIG. 5

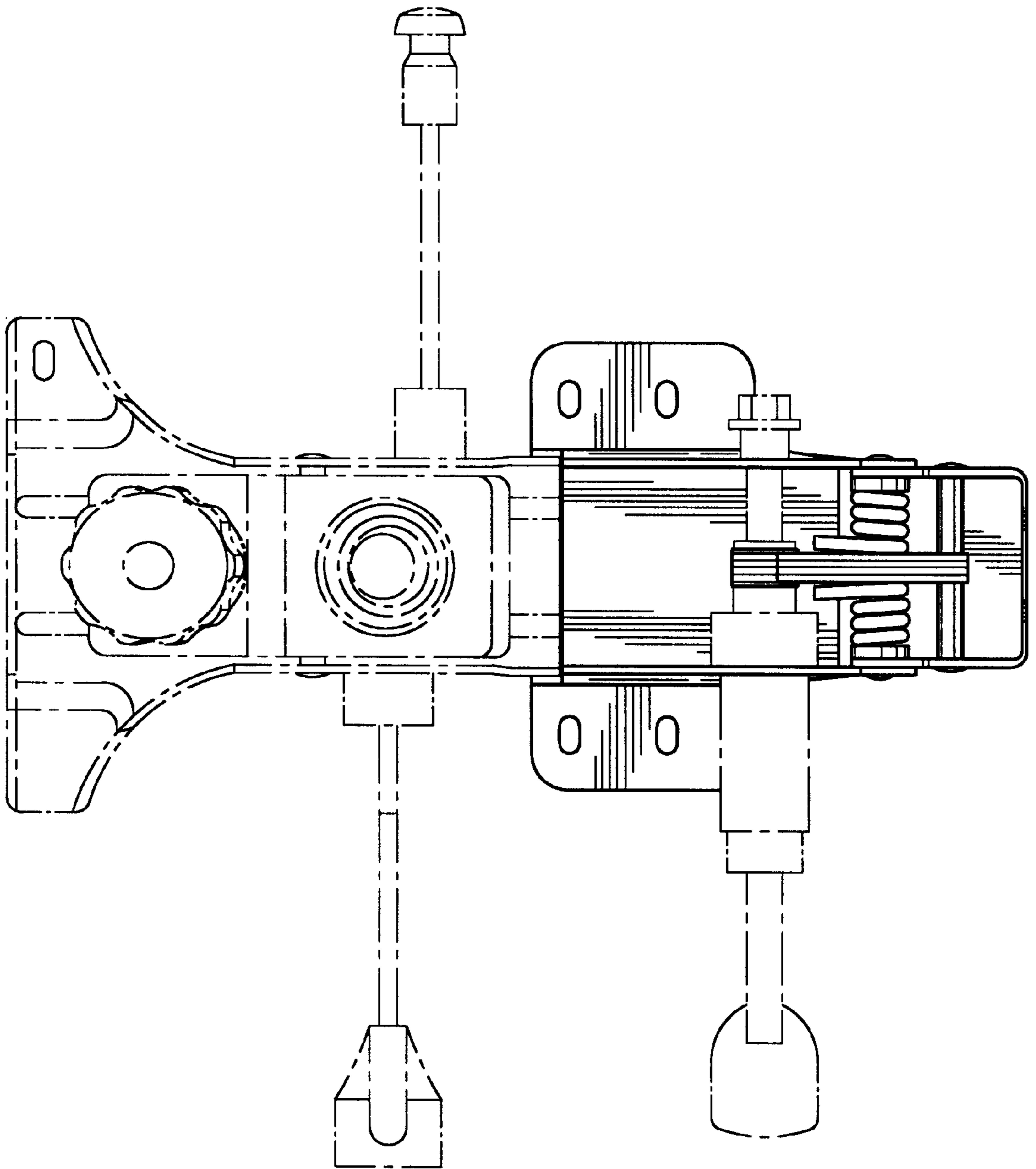


FIG. 6

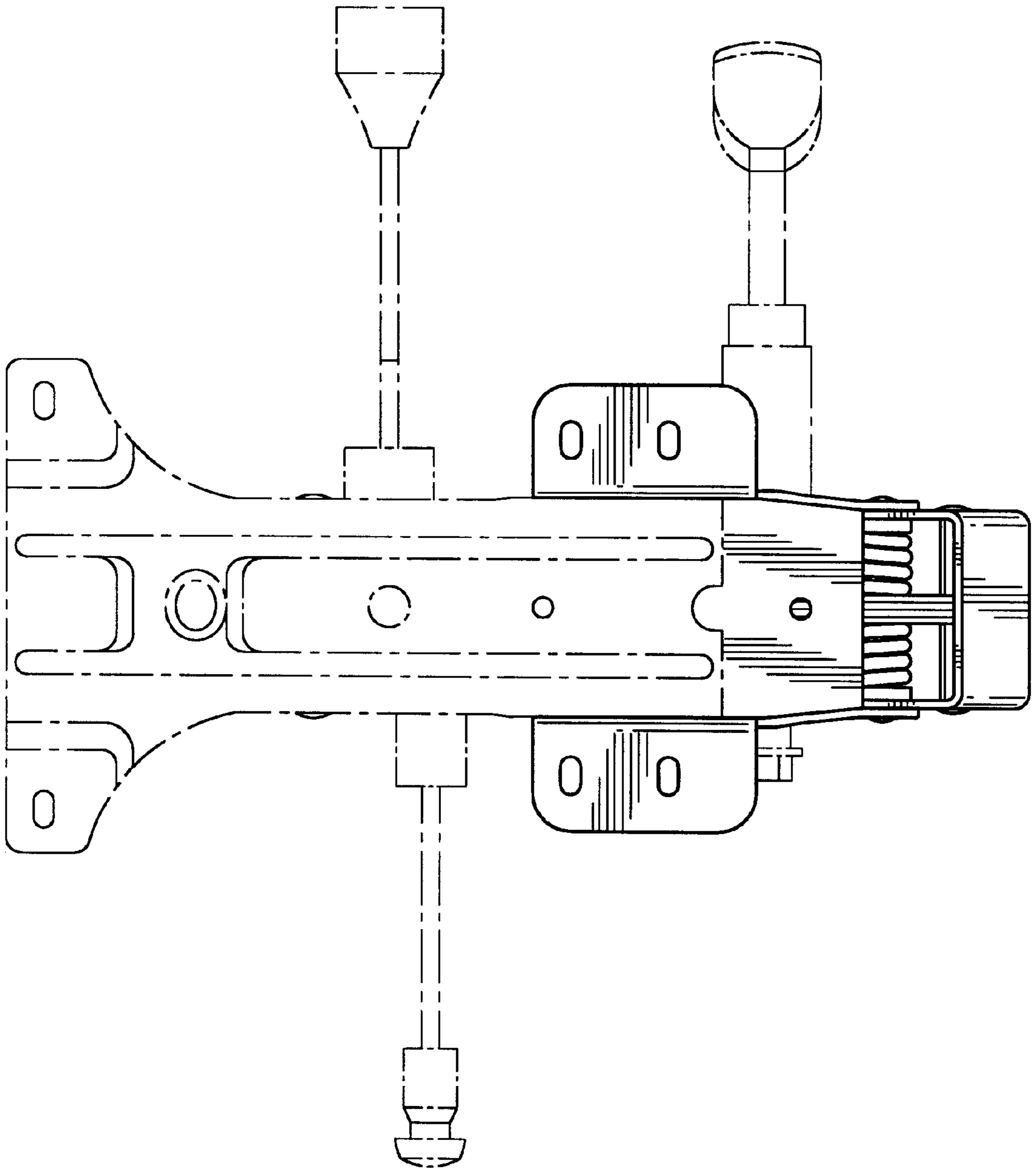


FIG. 7