



US00D468934S

(12) **United States Design Patent**
Dienstmann

(10) **Patent No.:** **US D468,934 S**

(45) **Date of Patent:** **** Jan. 21, 2003**

(54) **HORIZONTAL DISPLAY**

(75) Inventor: **Rodrigo Dienstmann**, Chicago, IL
(US)

(73) Assignee: **Cormark, Inc.**, Elk Grove Village, IL
(US)

(**) Term: **14 Years**

(21) Appl. No.: **29/156,682**

(22) Filed: **Mar. 5, 2002**

(51) **LOC (7) Cl.** **06-04**

(52) **U.S. Cl.** **D6/449; D6/468; D6/630**

(58) **Field of Search** D6/436, 437, 411,
D6/455, 457-469, 407, 628-630; 108/59,
91, 92, 149, 107, 181; 211/13.1, 85.2, 78,
85.26, 205, 181.1, 182, 189, 34, 37, 186,
187, 133.2, 40, 41.1, 41.2, 41.12; 312/9.1,
9.9, 9.47, 9.48, 9.51-9.56, 9.64

(56) **References Cited**

U.S. PATENT DOCUMENTS

4,805,783	A	*	2/1989	Mayer	211/94.01
5,595,308	A	*	1/1997	King et al.	211/40
5,984,117	A	*	11/1999	Smith	211/55
6,206,212	B1	*	3/2001	Loew	211/189

* cited by examiner

Primary Examiner—Cathron C. Brooks

(74) *Attorney, Agent, or Firm*—Welsch & Katz, Ltd.

(57) **CLAIM**

The ornamental design for a horizontal display, as shown and described.

DESCRIPTION

FIG. 1 is a front perspective view of a horizontal display embodying the principles of the present invention, the display being illustrated mounted to a back support shown in phantom lines that does not form a part of the claimed invention, the display further illustrated with a plurality of display shelves, all of which are shown aligned with one another in a central position;

FIG. 2 is a front view of the horizontal display;

FIG. 3 is a side view of the horizontal display as seen from the right-hand side thereof, the opposite side view being a mirror image thereof;

FIG. 4 is a top view of the horizontal display;

FIG. 5 is a top view of the horizontal display similar to FIG. 4, but in which an uppermost display shelf is shown pivoted to the left from that of FIG. 4, a next lower display shelf is shown in the central position, and a next lower display shelf is shown pivoted to the right from that shown in FIG. 4; and,

FIG. 6 is a perspective view similar to FIG. 1 showing the display shelves pivoted into staggered positions.

1 Claim, 5 Drawing Sheets

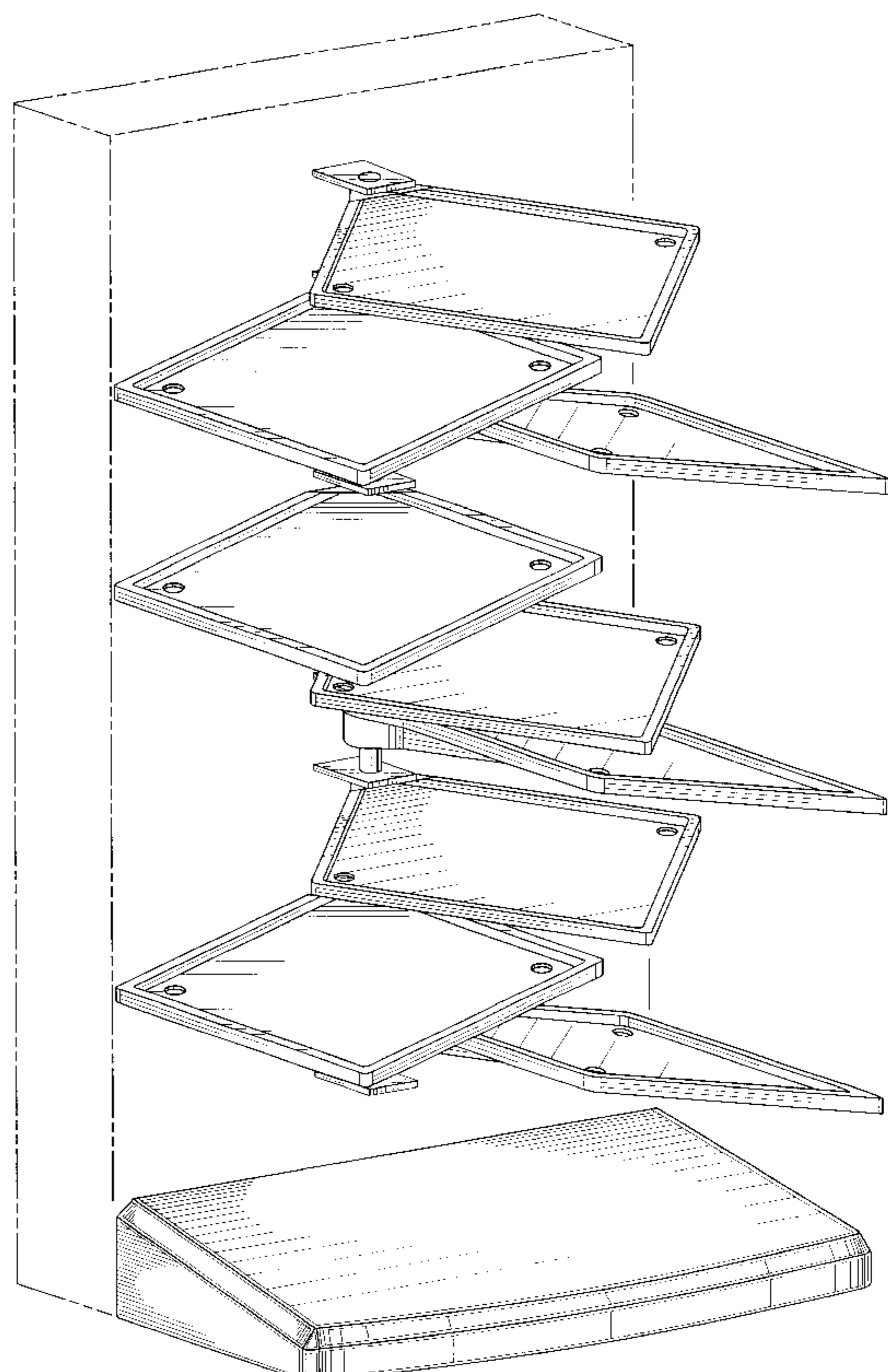
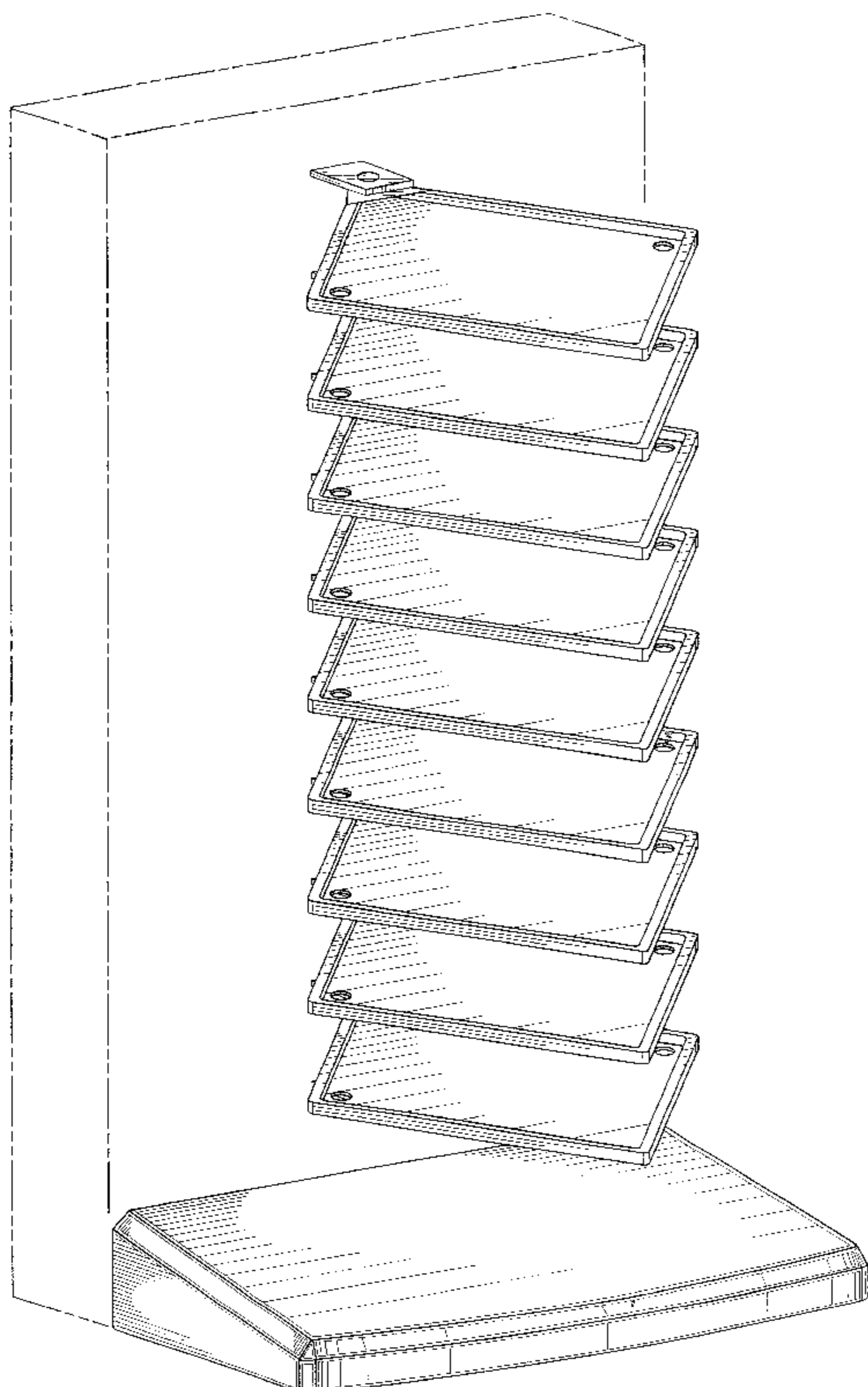


FIG. 1

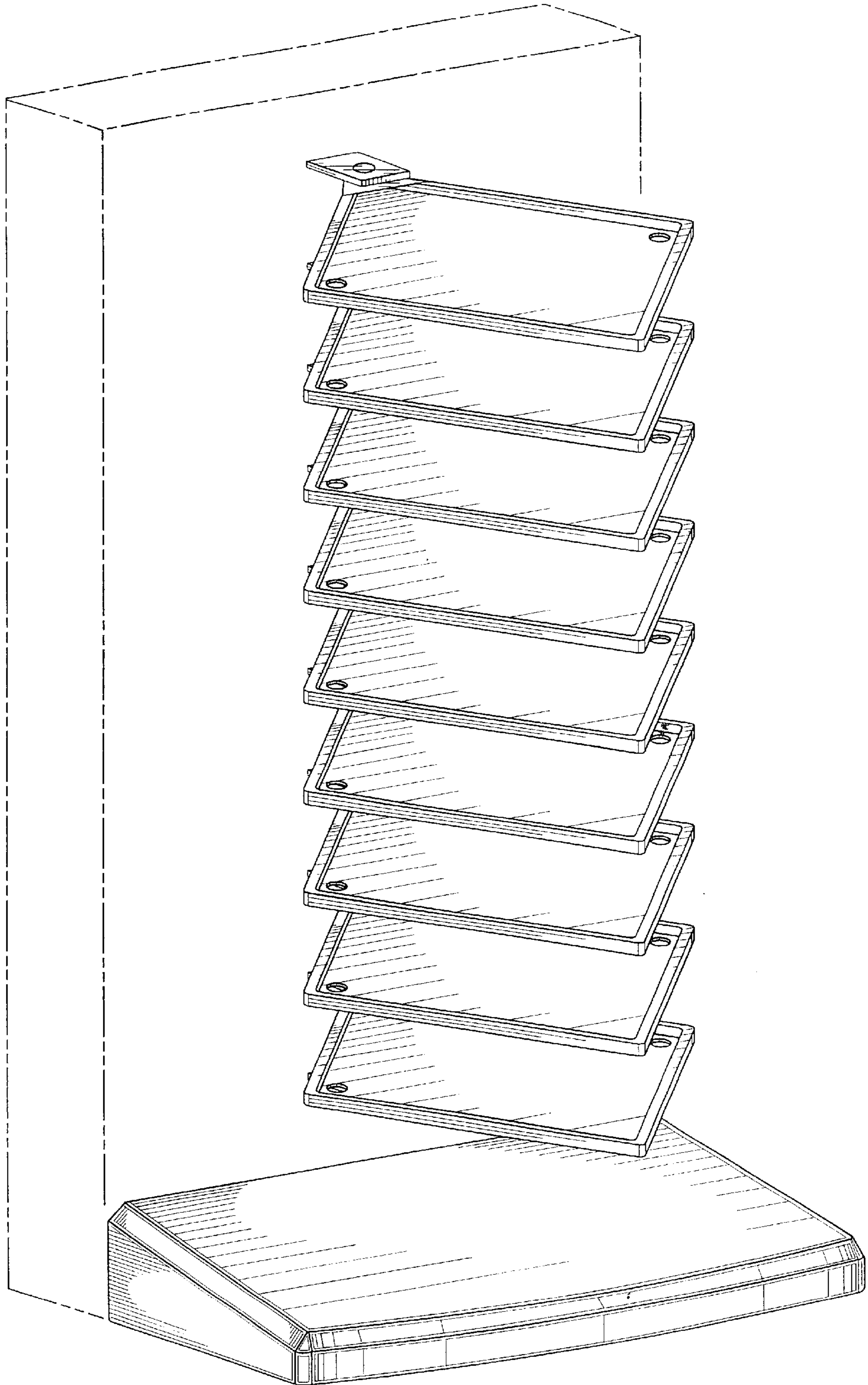


FIG. 2

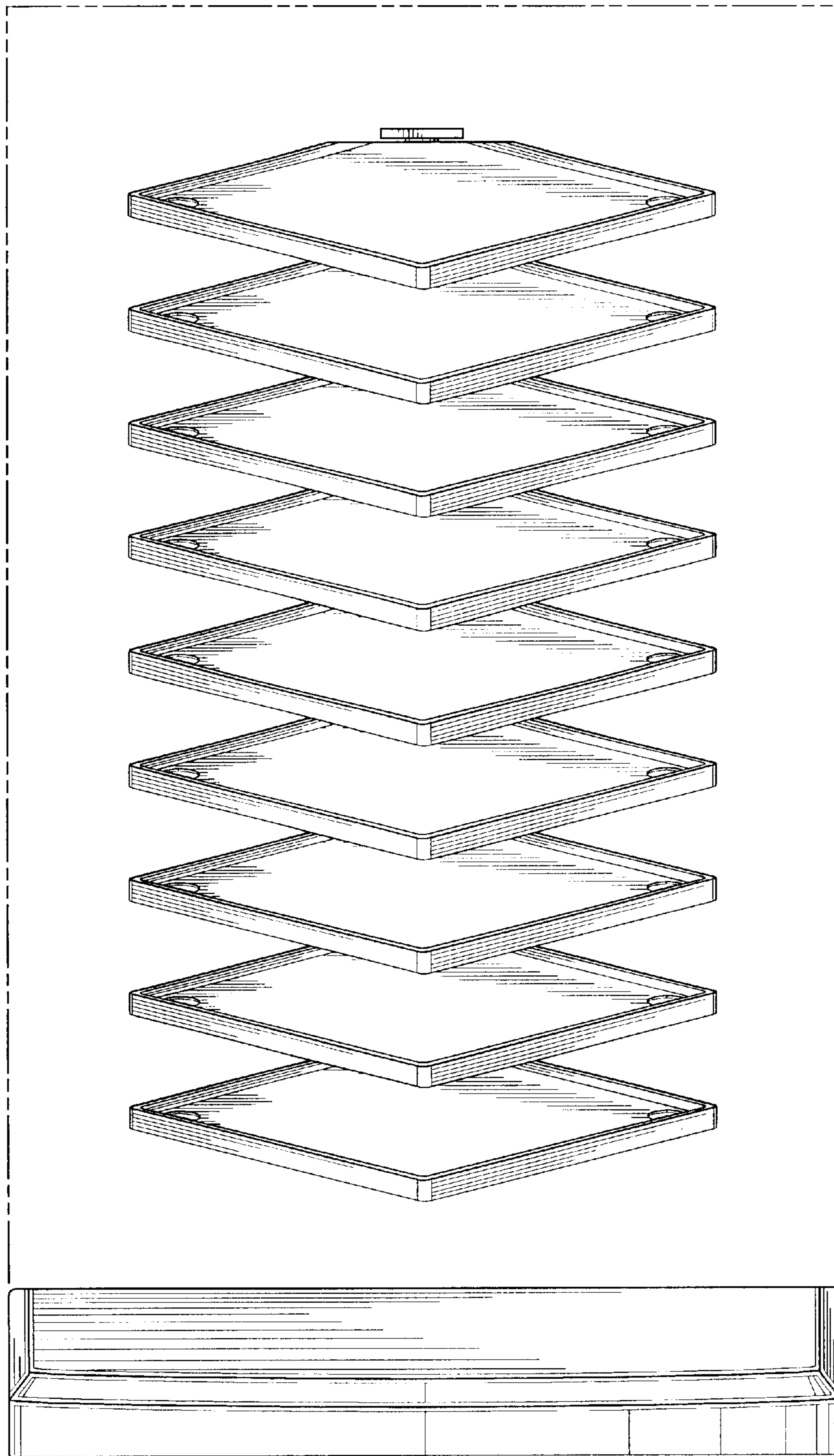


FIG. 3

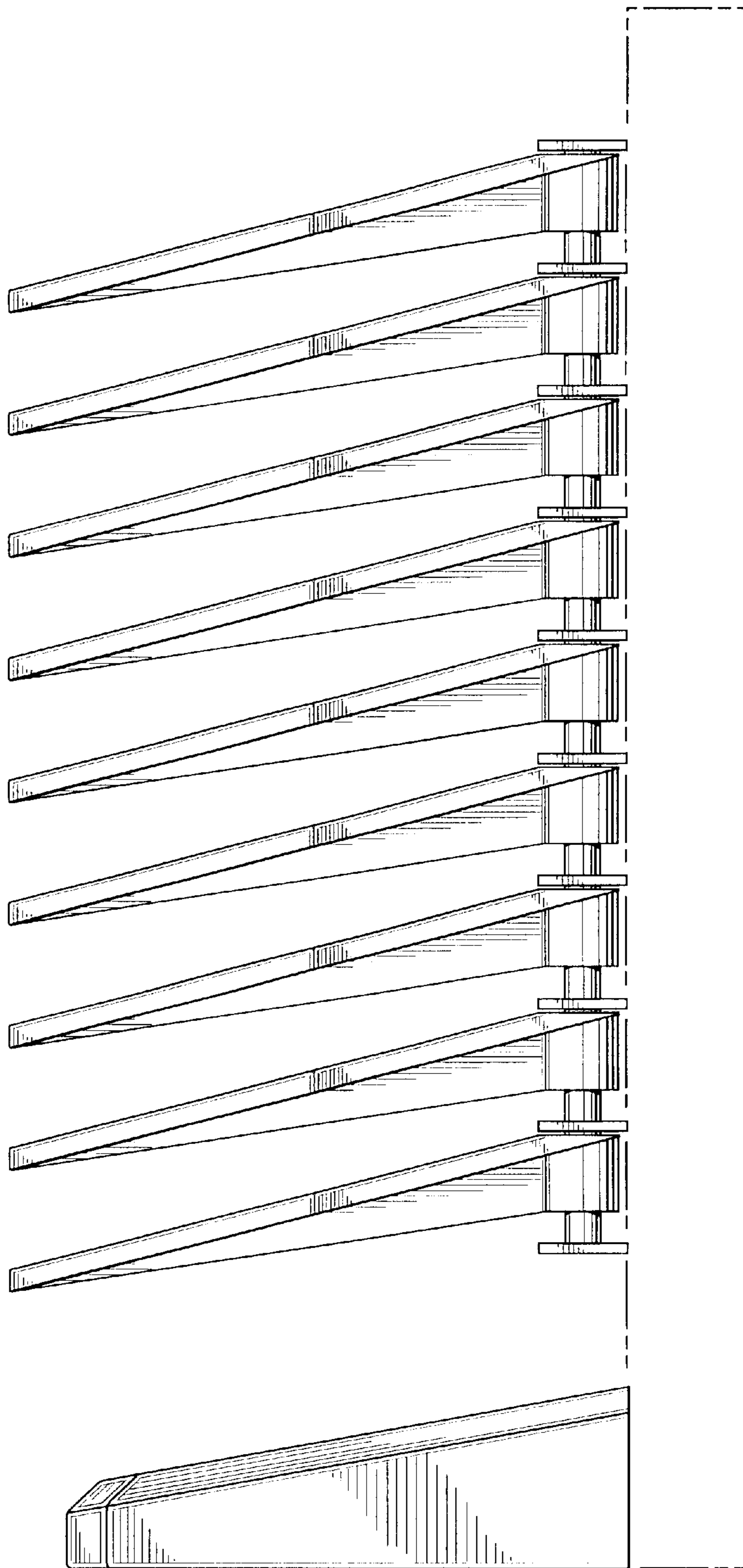


FIG. 4

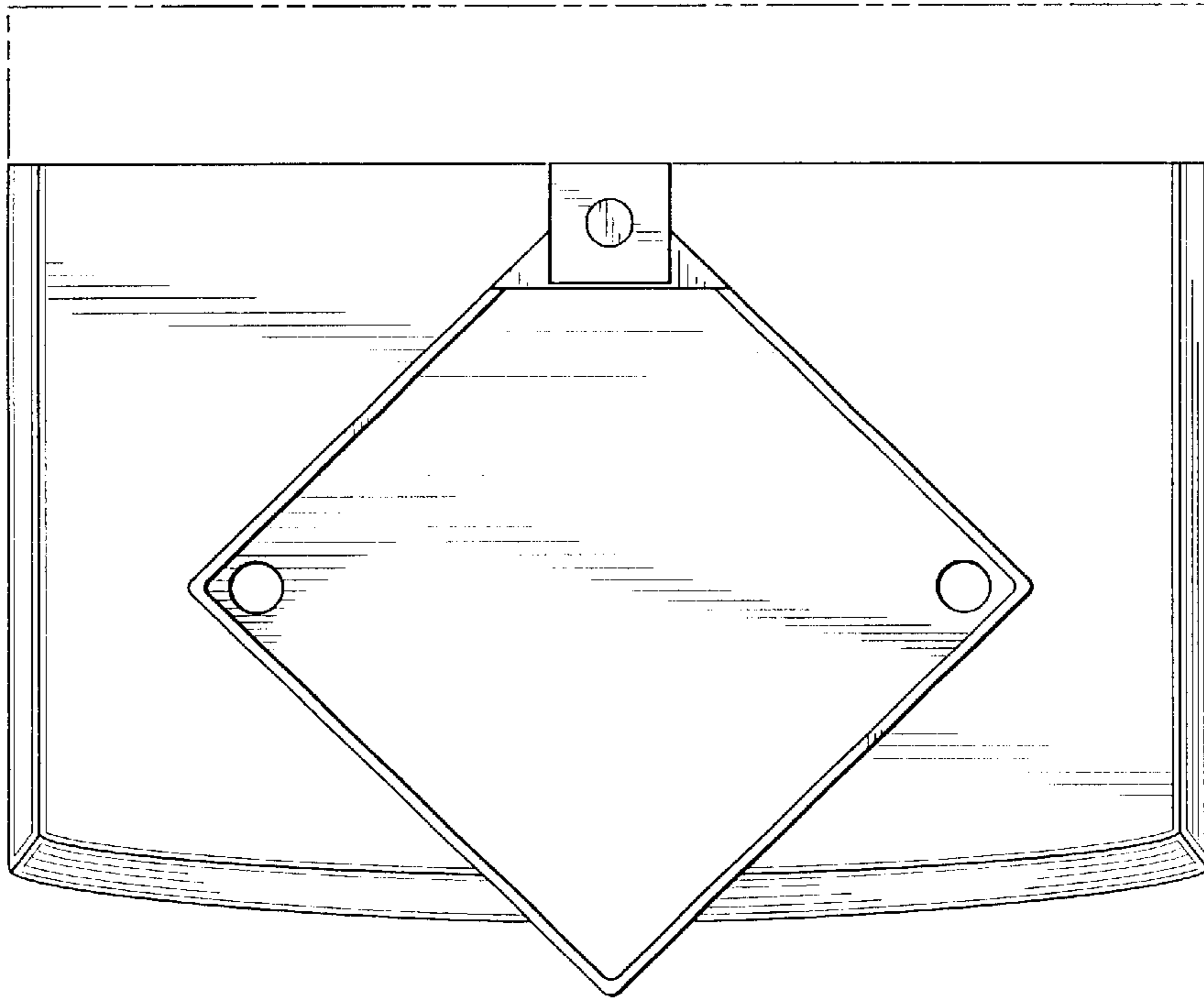


FIG. 5

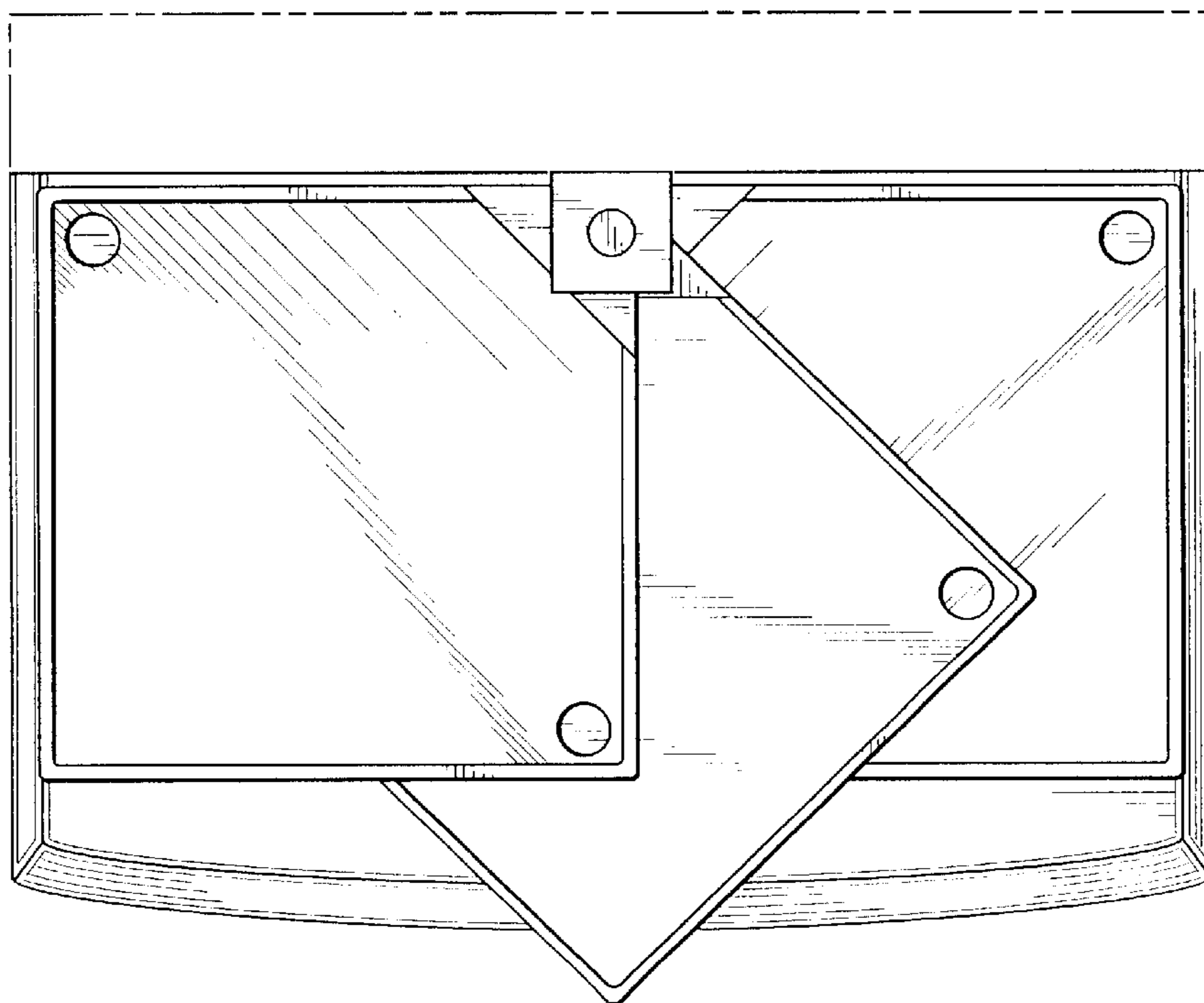


FIG. 6

