



US00D468927S

(12) **United States Design Patent**
Denton

(10) **Patent No.:** **US D468,927 S**

(45) **Date of Patent:** **** Jan. 21, 2003**

- (54) **SOFA**
- (75) **Inventor:** **Robert B. Denton**, Asheville, NC (US)
- (73) **Assignee:** **Action Industries, Inc.**, Tupelo, MS (US)
- (**) **Term:** **14 Years**
- (21) **Appl. No.:** **29/158,090**
- (22) **Filed:** **Mar. 29, 2002**
- (51) **LOC (7) Cl.** **06-01**
- (52) **U.S. Cl.** **D6/381**
- (58) **Field of Search** D6/334, 335, 364, D6/371, 381, 500, 501, 502; 5/12.1; 297/232

- D430,421 S * 9/2000 Natuzzi et al. D6/381
- D461,651 S * 8/2002 Denton D6/381

OTHER PUBLICATIONS

Smith & Watson, p. 25, Sofa and Chair Shown.
J.C. Penny, p. 974, Sofa "A" and Chair "B" at top, Fall 1997.
Century Furniture Industries, Centurion Leather, Edition III, pp. 14-21, undated.

* cited by examiner

Primary Examiner—Gary D. Watson
(74) *Attorney, Agent, or Firm*—Pillsbury Winthrop LLP
Intellectual Property

(57) **CLAIM**

The ornamental design for a sofa, as shown and described.

(56) **References Cited**

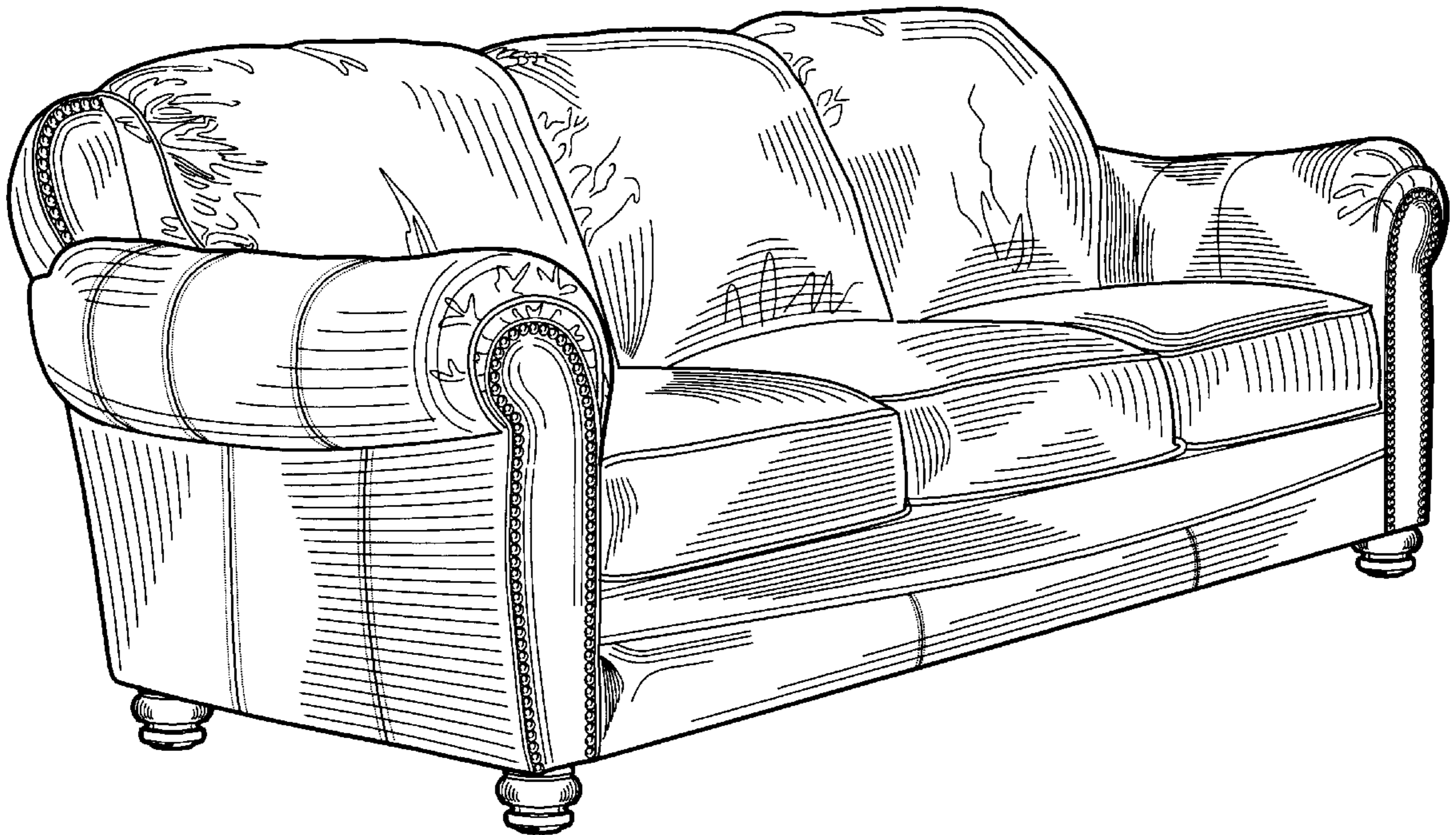
U.S. PATENT DOCUMENTS

- D235,289 S 6/1975 Long D6/334
- D290,195 S * 6/1987 Kanowsky D6/381
- D383,619 S * 9/1997 Culler D6/381
- D388,631 S * 1/1998 Natuzzi et al. D6/381
- D399,361 S 10/1998 Natuzzi et al. D6/381
- D399,363 S * 10/1998 Natuzzi et al. D6/381
- D403,173 S 12/1998 Ferguson et al. D6/381
- D418,992 S * 1/2000 Natuzzi et al. D6/381

DESCRIPTION

FIG. 1 is a front perspective view of a sofa according to the present invention;
FIG. 2 is a front elevational view thereof;
FIG. 3 is a side view thereof;
FIG. 4 is another side view thereof; and,
FIG. 5 is rear elevational view thereof.

1 Claim, 4 Drawing Sheets



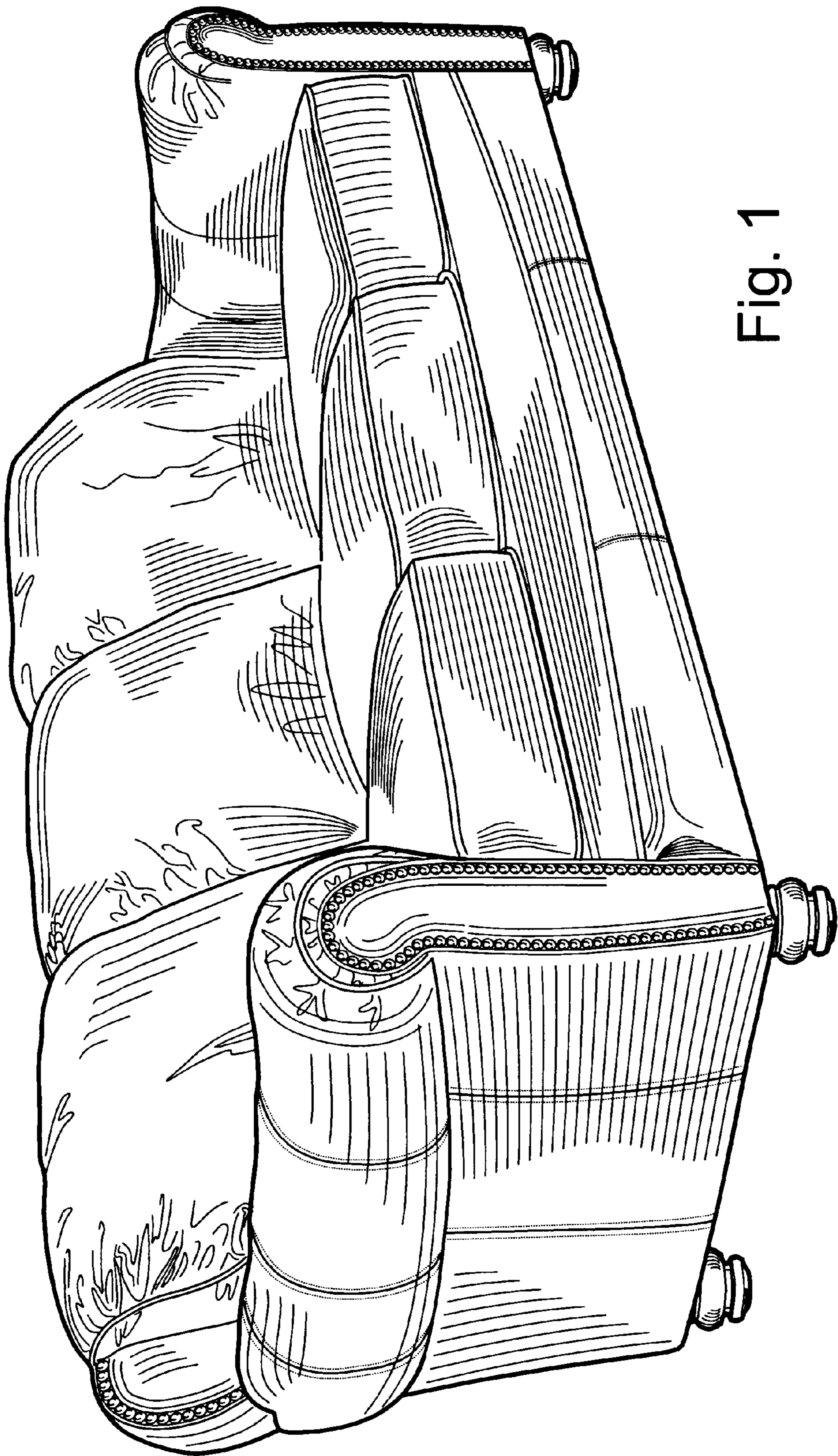


Fig. 1

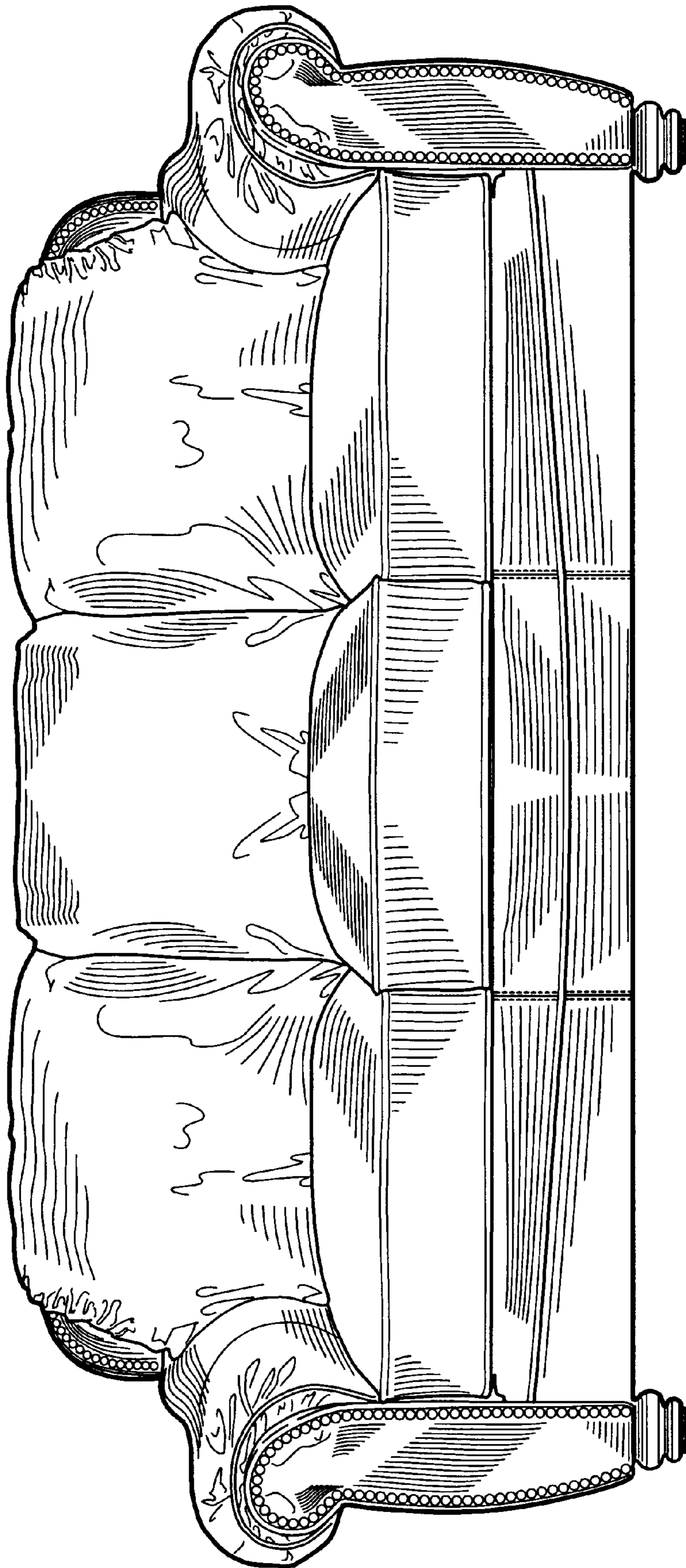


Fig. 2

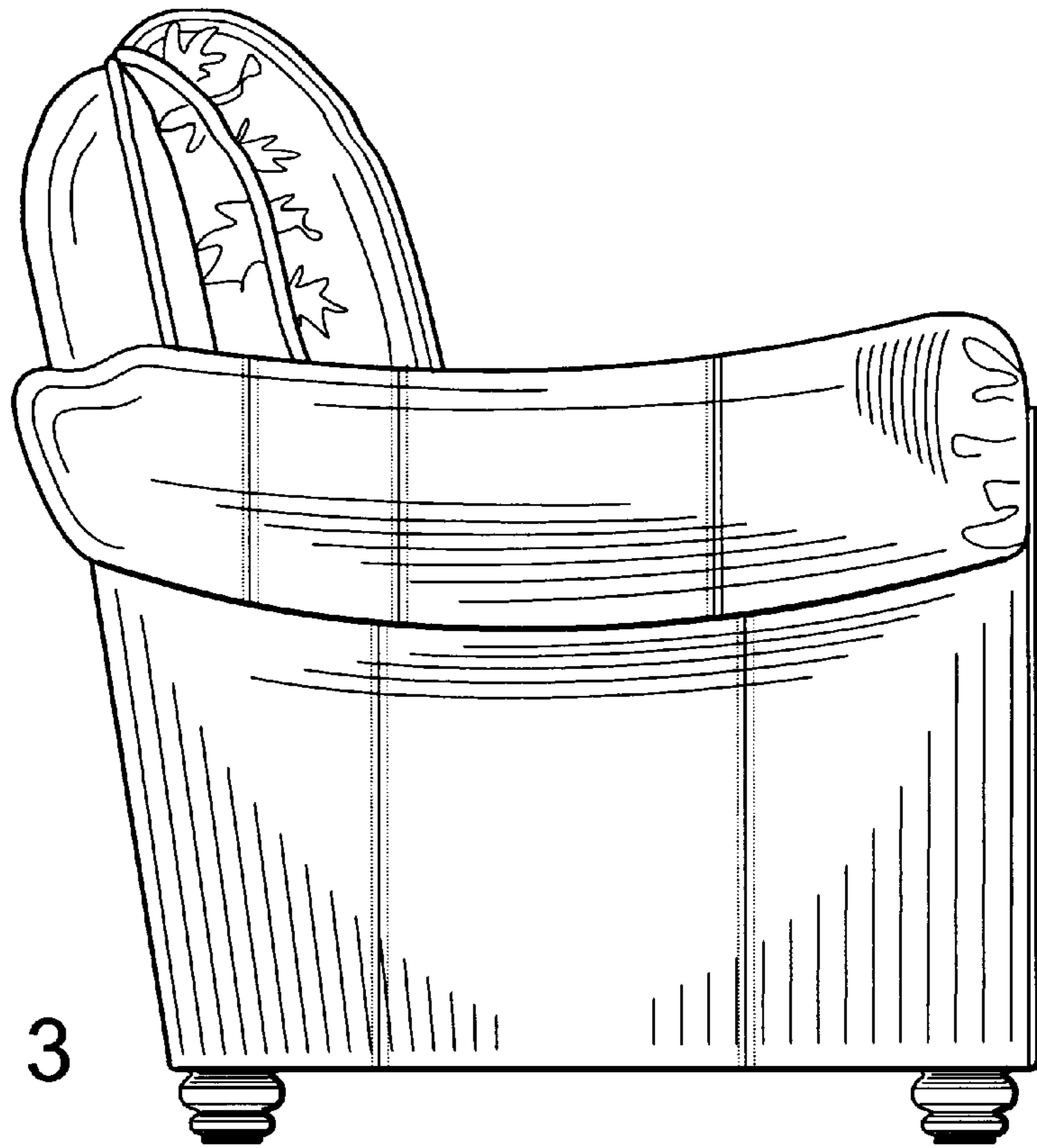


Fig. 3

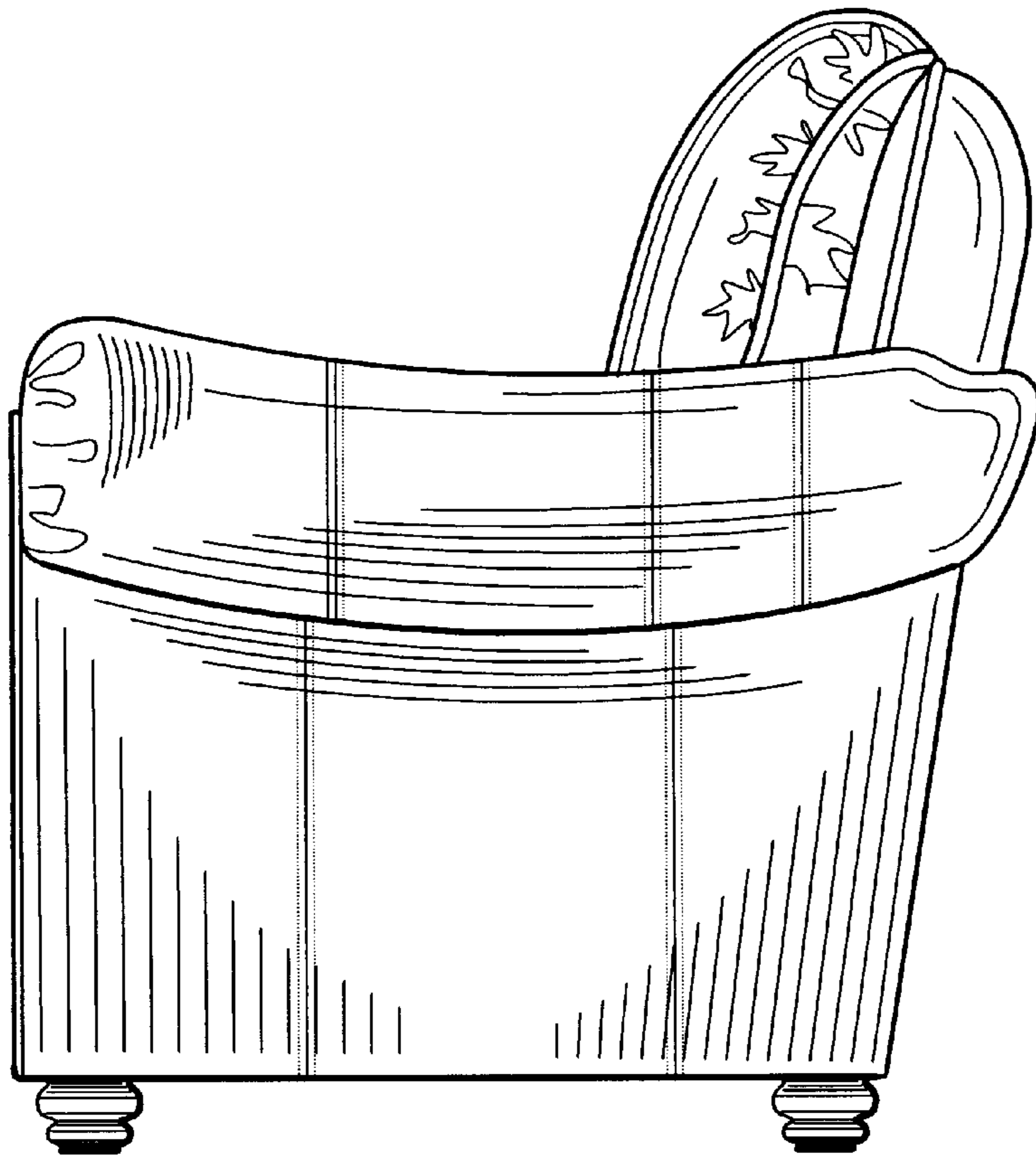


Fig. 4

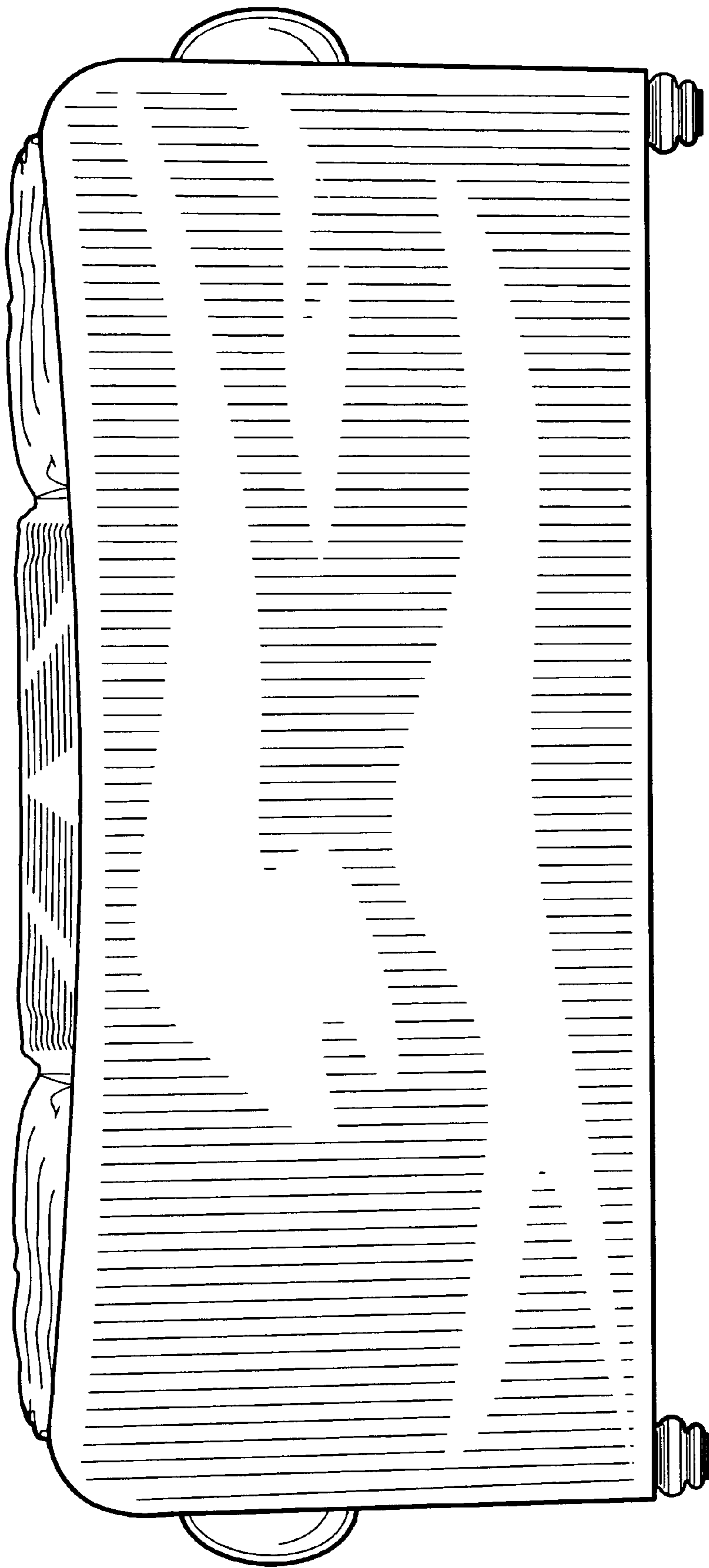


Fig. 5