



US00D468919S

(12) **United States Design Patent**
Juneau

(10) **Patent No.:** **US D468,919 S**

(45) **Date of Patent:** **** Jan. 21, 2003**

(54) **STOOL**

(75) Inventor: **Alain Juneau**, St. Jean-Chrysostome
(CA)

(73) Assignee: **Baronet, Inc.** (CA)

(**) Term: **14 Years**

(21) Appl. No.: **29/159,176**

(22) Filed: **Apr. 15, 2002**

(51) **LOC (7) Cl.** **06-01**

(52) **U.S. Cl.** **D6/360**

(58) **Field of Search** D6/334, 360, 374,
D6/380, 500, 501, 502; 297/445.1, 446.1,
447.4, 461

(56) **References Cited**

U.S. PATENT DOCUMENTS

2,709,485	A	*	5/1955	Haven	297/446.1
D243,807	S	*	3/1977	Palmer	D6/380
D293,743	S	*	1/1988	Hoyt	D6/360
D296,501	S	*	7/1988	Lundquist	D6/380
D357,592	S	*	4/1995	Kellen	D6/360
D431,380	S	*	10/2000	Hutton	D6/360
D458,467	S	*	6/2002	Starck	D6/374
D460,282	S	*	7/2002	Starck	D6/374

OTHER PUBLICATIONS

Interiors, p. 143, Shelby Williams Industries, Inc. ad, stool
at left center (as marked), May 1989.*

* cited by examiner

Primary Examiner—Gary D. Watson

(74) *Attorney, Agent, or Firm*—SAIDMAN DesignLaw
Group

(57) **CLAIM**

The ornamental design for a stool, as shown and described.

DESCRIPTION

FIG. 1 is a front perspective view of a stool showing my new
design;

FIG. 2 is a back perspective view thereof;

FIG. 3 is a front view thereof;

FIG. 4 is a left side view thereof, the right side view being
a mirror image;

FIG. 5 is a top view thereof;

FIG. 6 is a perspective view of a second embodiment
showing my new design;

FIG. 7 is a back perspective view thereof;

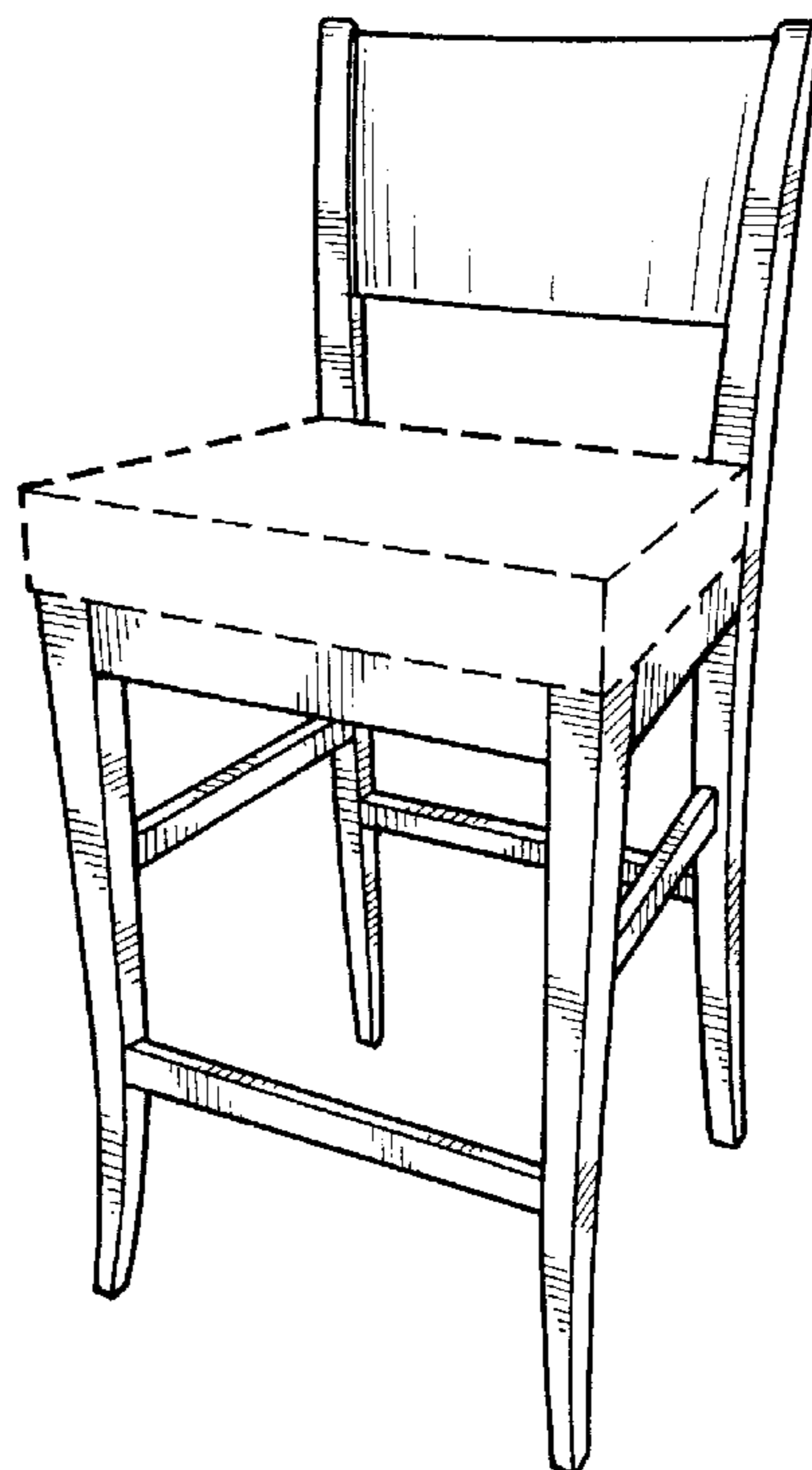
FIG. 8 is a front view thereof;

FIG. 9 is a left side view thereof, the right side view being
a mirror image; and,

FIG. 10 is a top view thereof.

The dashed lines in the drawings are shown for environ-
mental purposes only and form no part of the claimed
design.

1 Claim, 4 Drawing Sheets



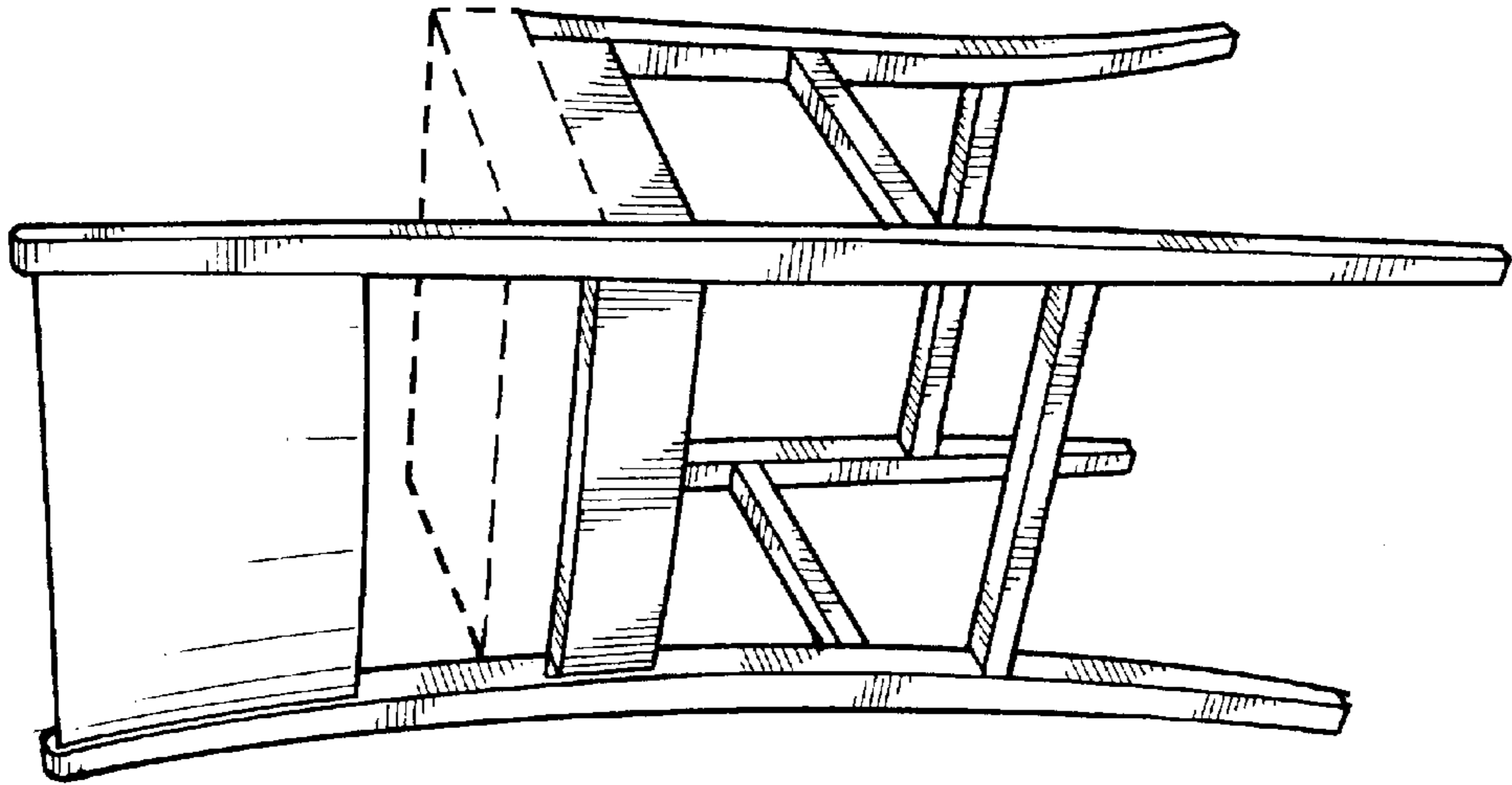


FIG. 2

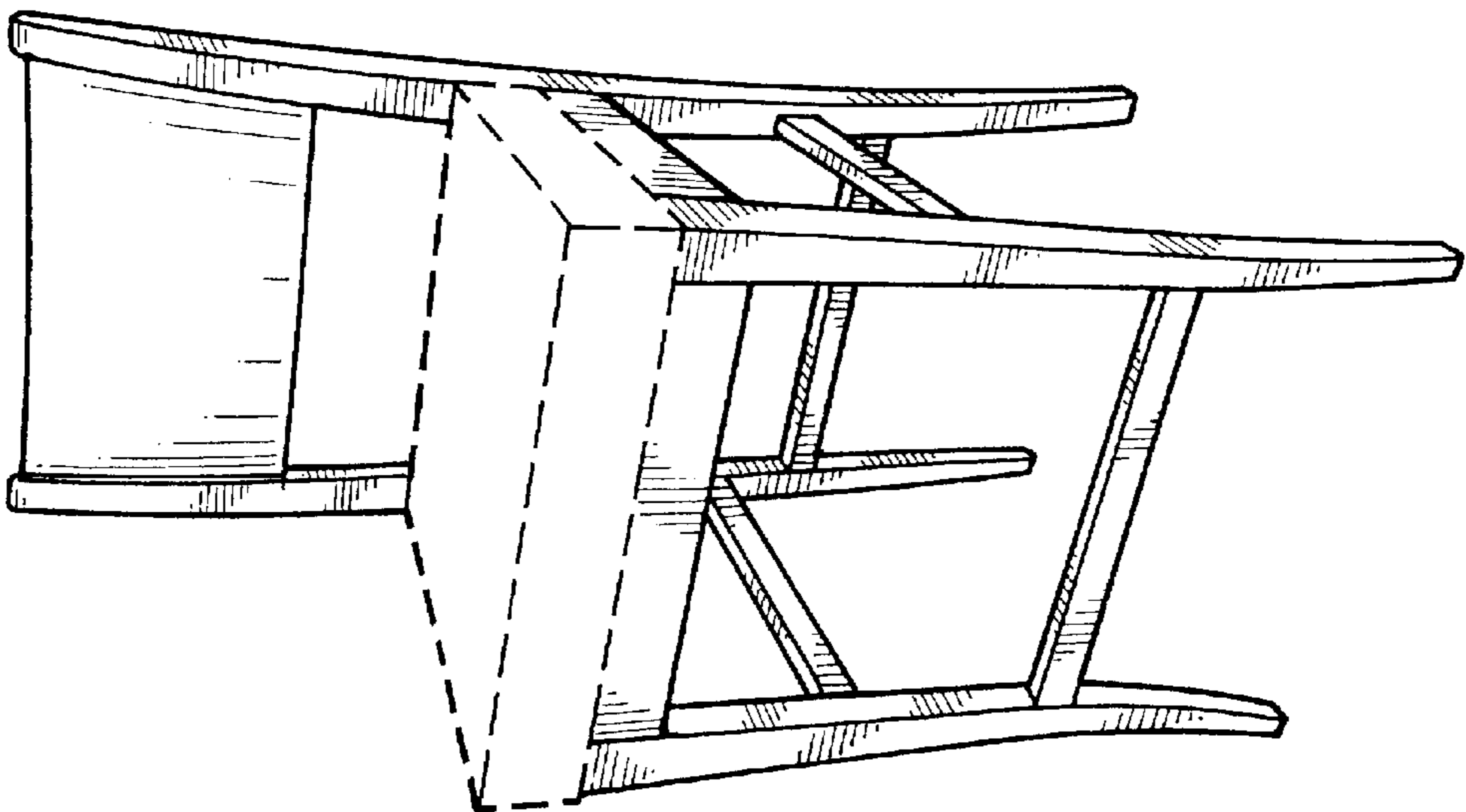


FIG. 1

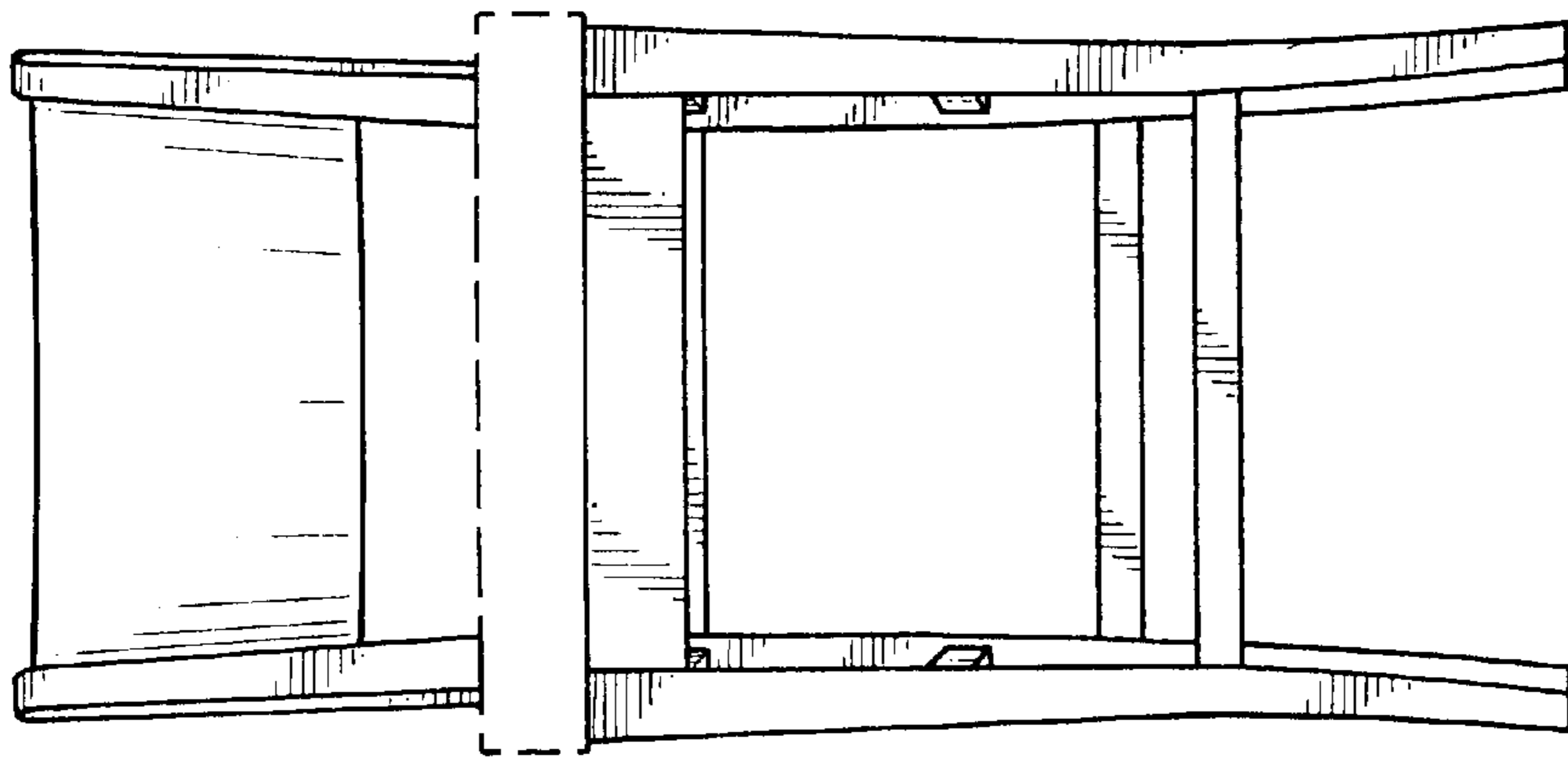


FIG.3

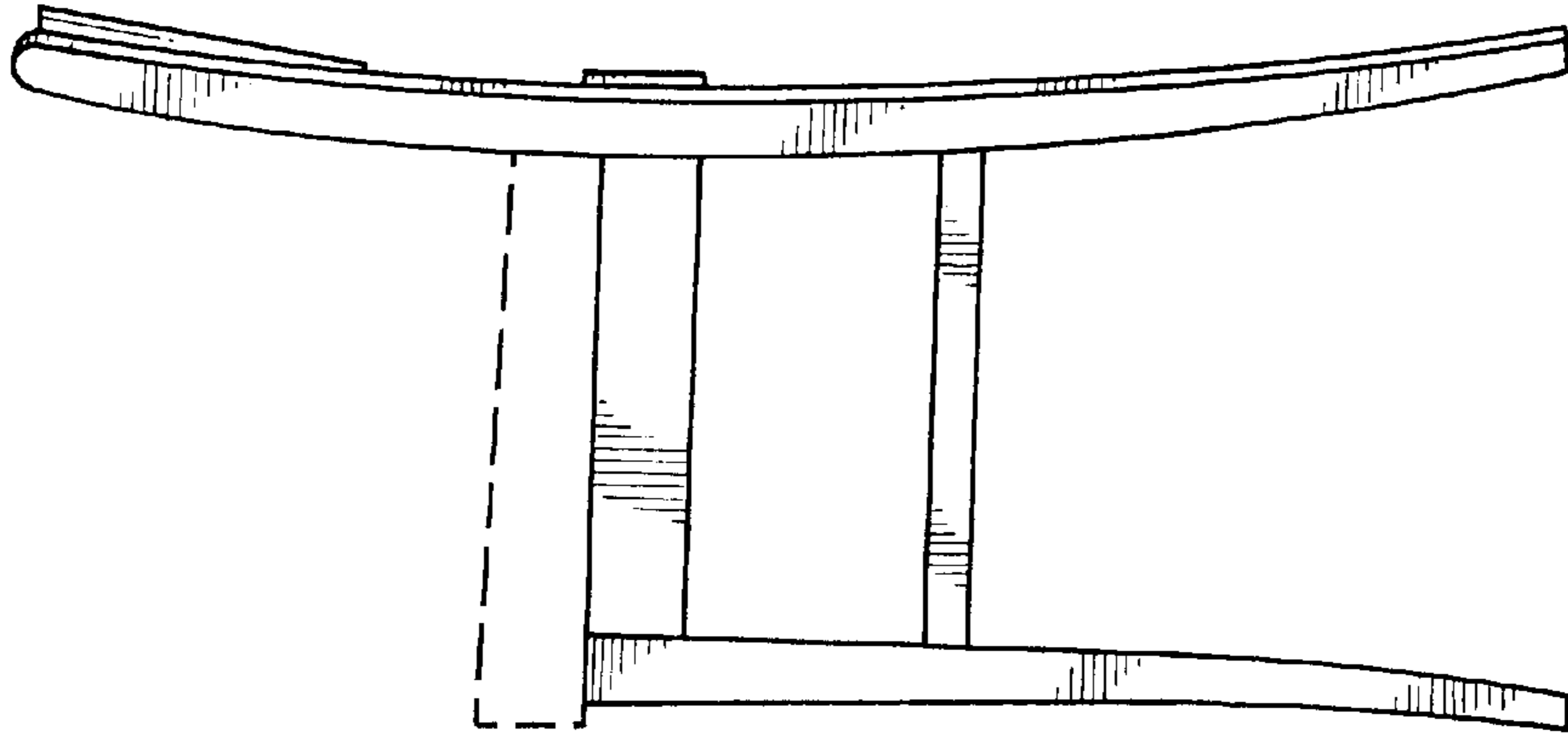


FIG.4

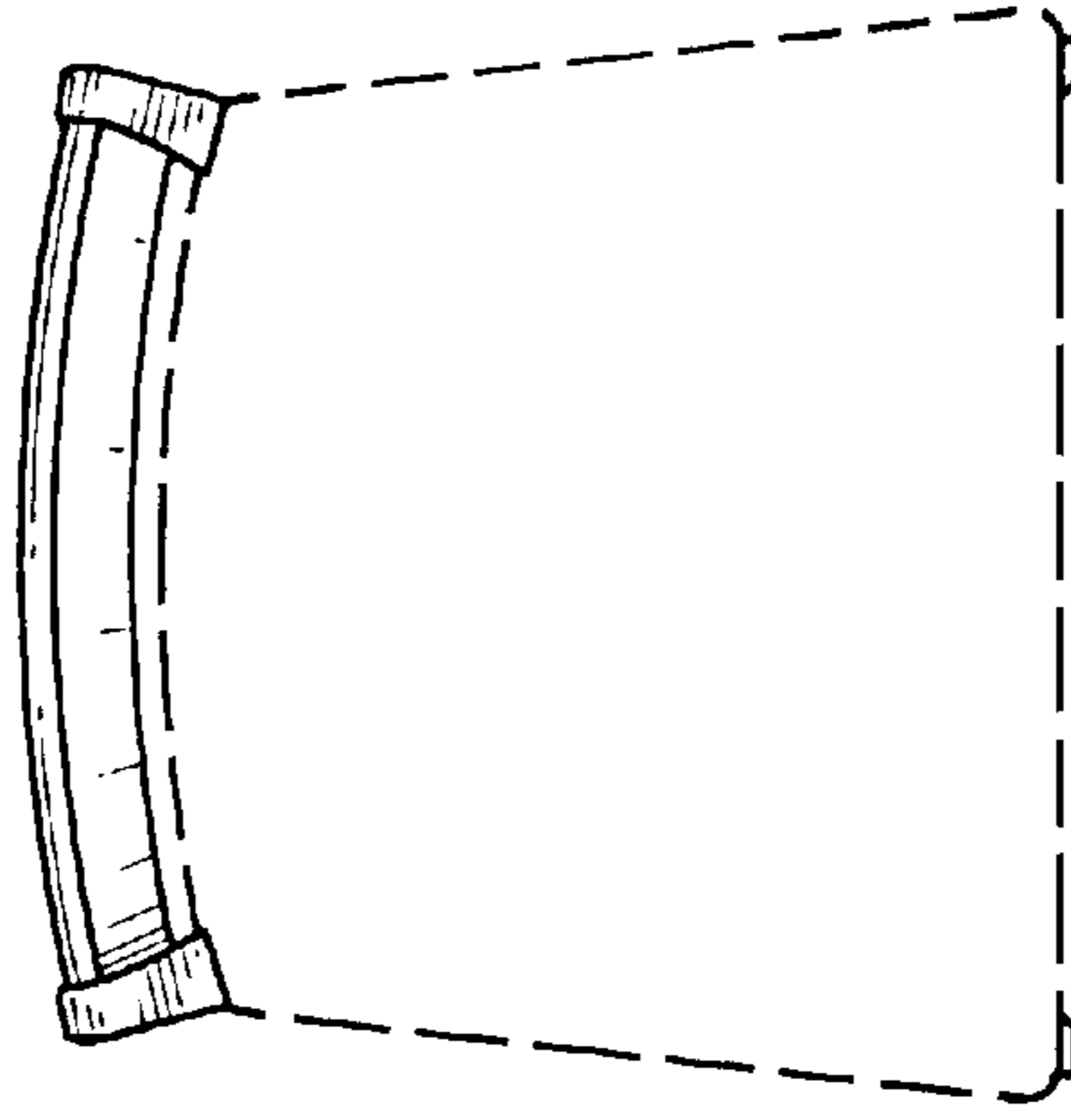


FIG.5

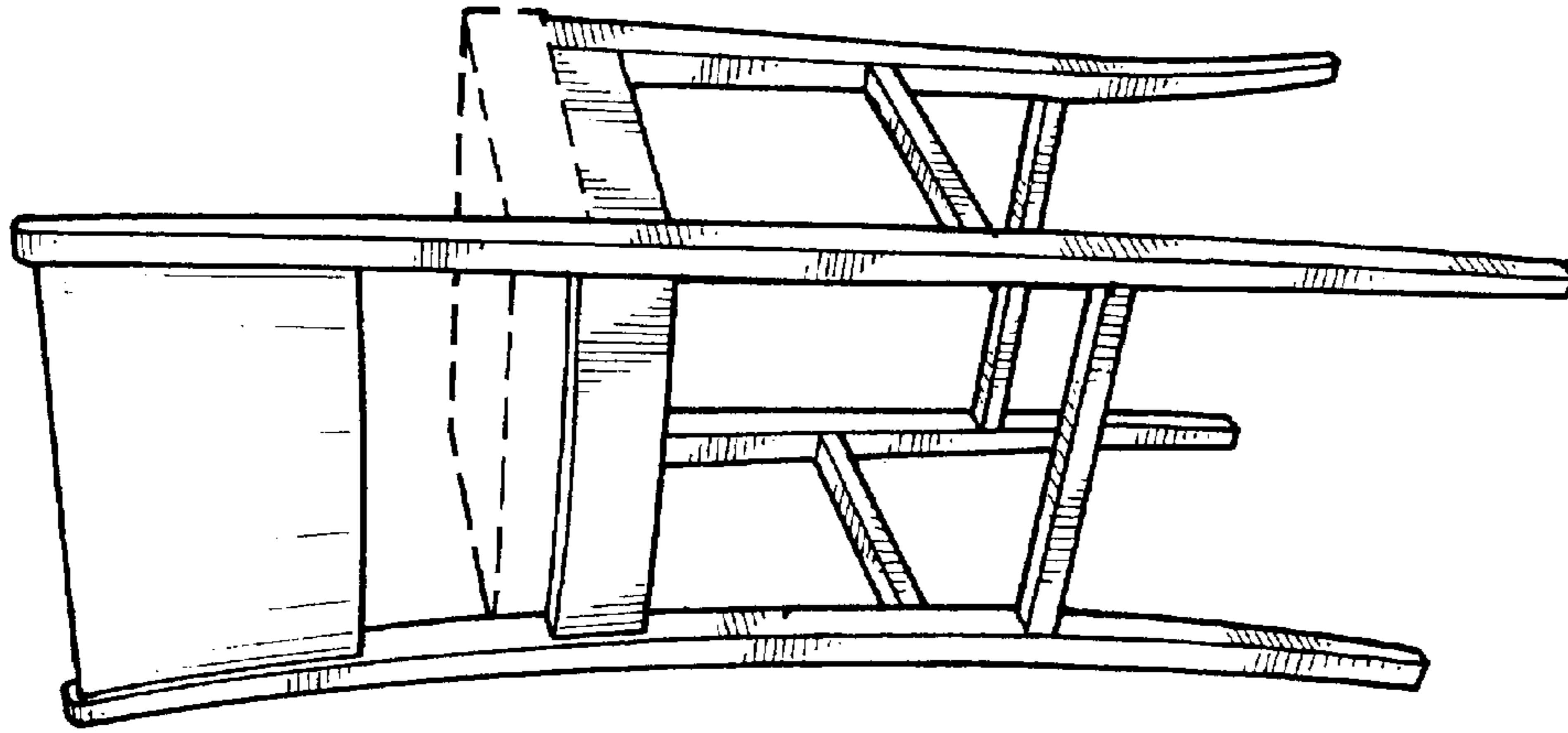


FIG. 7

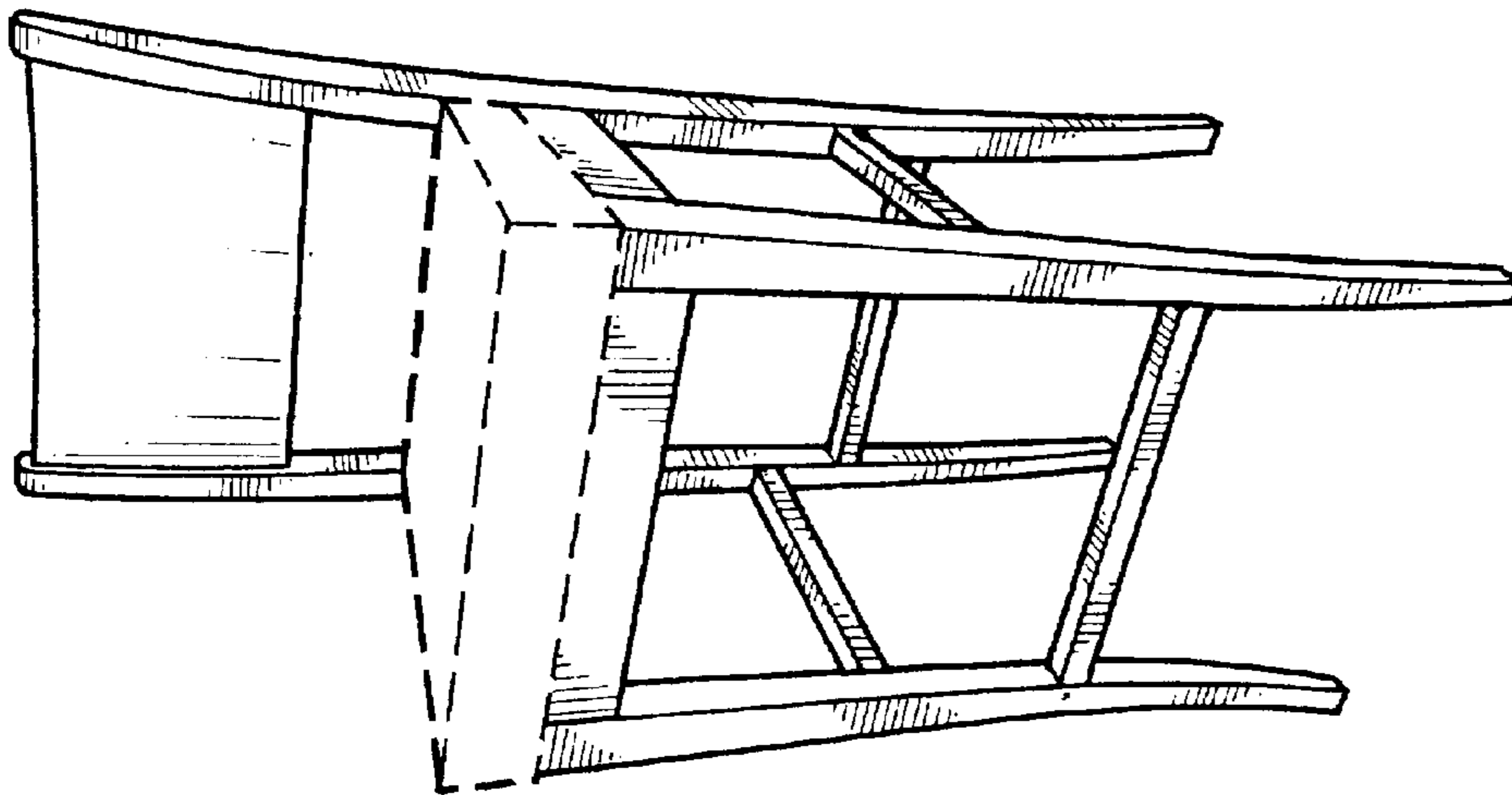


FIG. 6

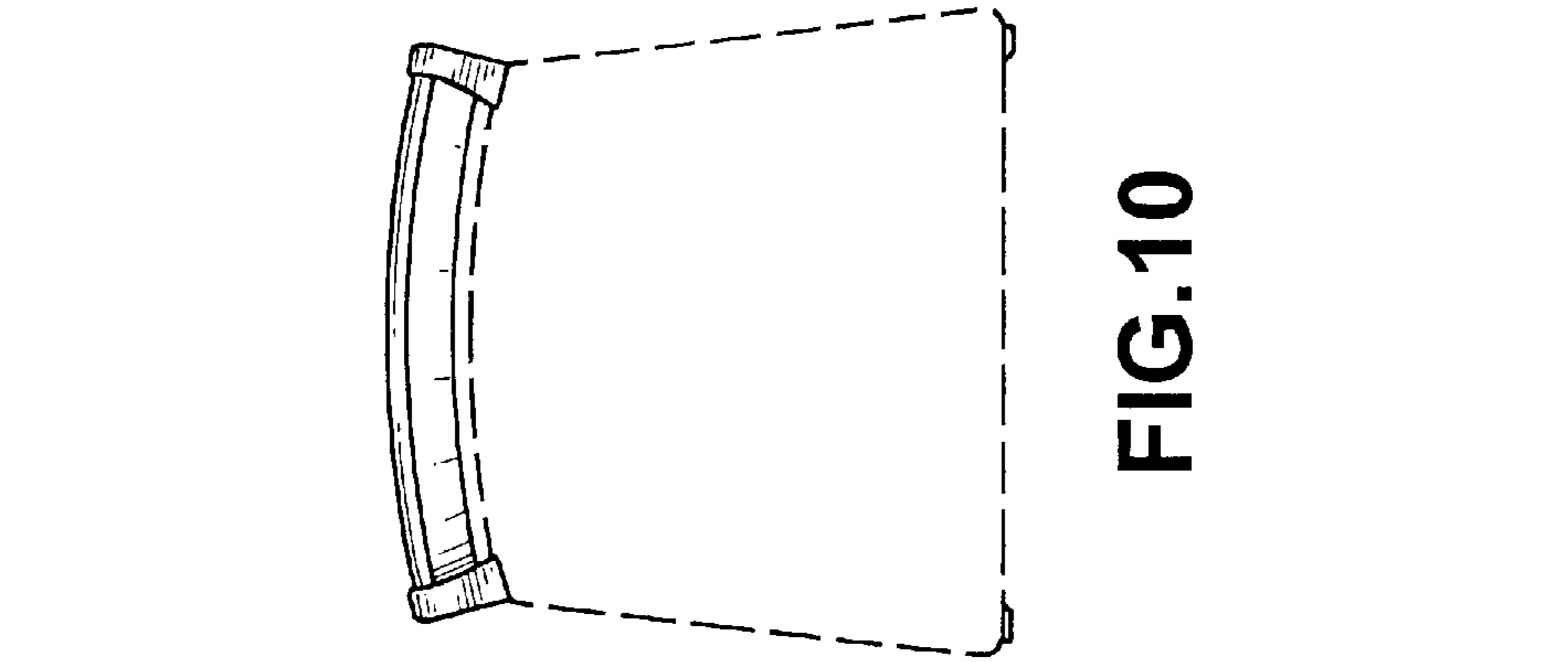


FIG.10

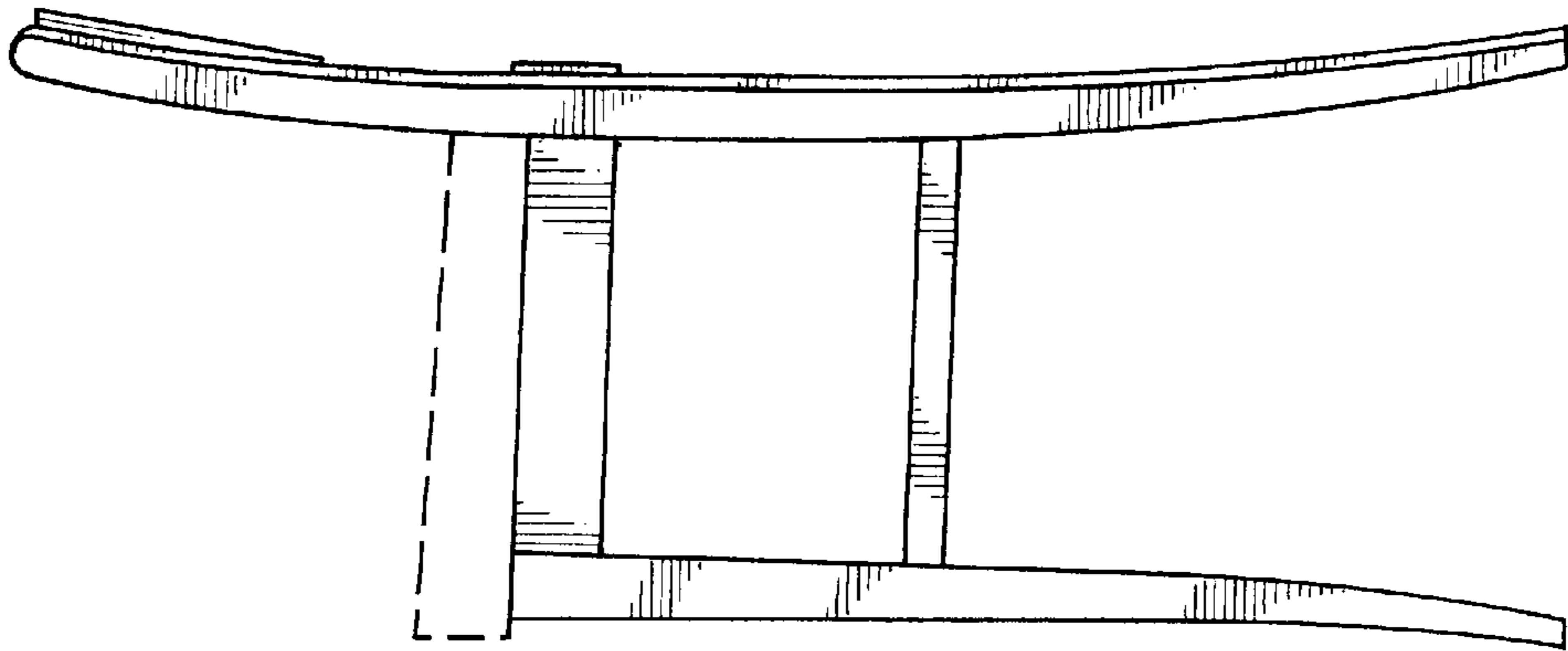


FIG.9

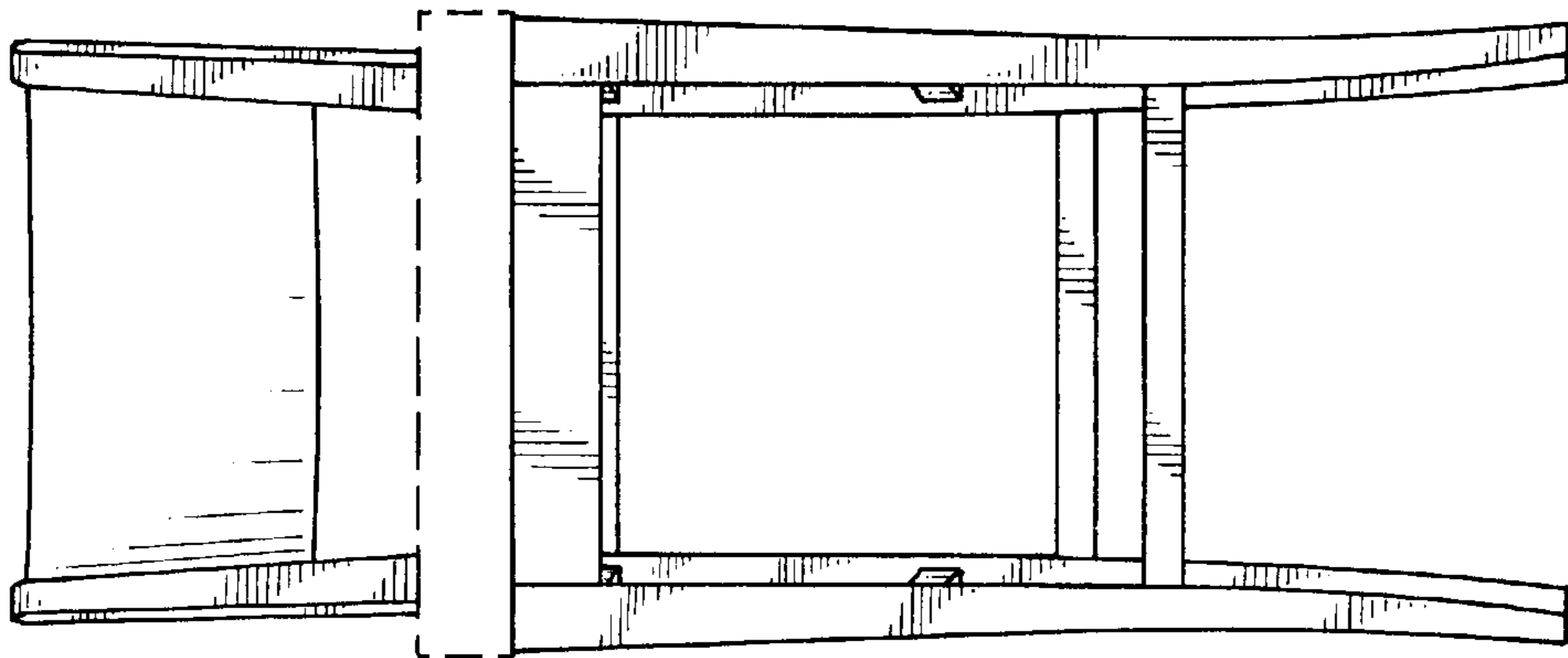


FIG.8