



US00D468915S

(12) **United States Design Patent**  
**Talbott et al.**

(10) **Patent No.:** **US D468,915 S**

(45) **Date of Patent:** **\*\* Jan. 21, 2003**

(54) **COMBINED BENCH AND CLOTHES HAMPER**

D423,237 S 4/2000 Chang

\* cited by examiner

(76) Inventors: **Barbara J Talbott**, 585 Deer Run, Lilburn, GA (US) 30047; **Mark A Talbott**, 585 Deer Run, Lilburn, GA (US) 30047

*Primary Examiner*—Alan P. Douglas  
*Assistant Examiner*—Lavone D. Tabor

(\*\*) Term: **14 Years**

(57) **CLAIM**

The ornamental design for a combined bench and clothes hamper, as shown and described.

(21) Appl. No.: **29/147,617**

**DESCRIPTION**

(22) Filed: **Aug. 31, 2001**

(51) **LOC (7) Cl.** ..... **06-01**

(52) **U.S. Cl.** ..... **D6/336; D6/349; D32/37**

(58) **Field of Search** ..... D6/335, 336, 349, D6/396, 397, 432, 440; D32/37; 206/278.1; 220/500, 676, 810, 816, 829, 913; 297/188.03, 188.08, 188.09, 188.1; D3/273, 274, 294, 295

FIG. 1 is a front elevational view of a combined bench and clothes hamper showing our new design;

FIG. 2 is a rear elevational view of FIG. 1;

FIG. 3 is a side elevational view of FIG. 1, the opposite side being a mirror image;

FIG. 4 is a top plan view of FIG. 1;

FIG. 5 is a bottom plan view of FIG. 1;

FIG. 6 is a top perspective view of FIG. 1 with the lid in the open position;

FIG. 7 is a cross-sectional view taken along line 7—7 of FIG. 1;

FIG. 8 is a top perspective view of FIG. 1;

FIG. 9 is a top perspective view of a second embodiment of the design shown in FIGS. 1–8, the only difference residing in the length of the article; and,

FIG. 10 is a top perspective view of a third embodiment of the design shown in FIGS. 1–8, the only difference residing in the length of the article.

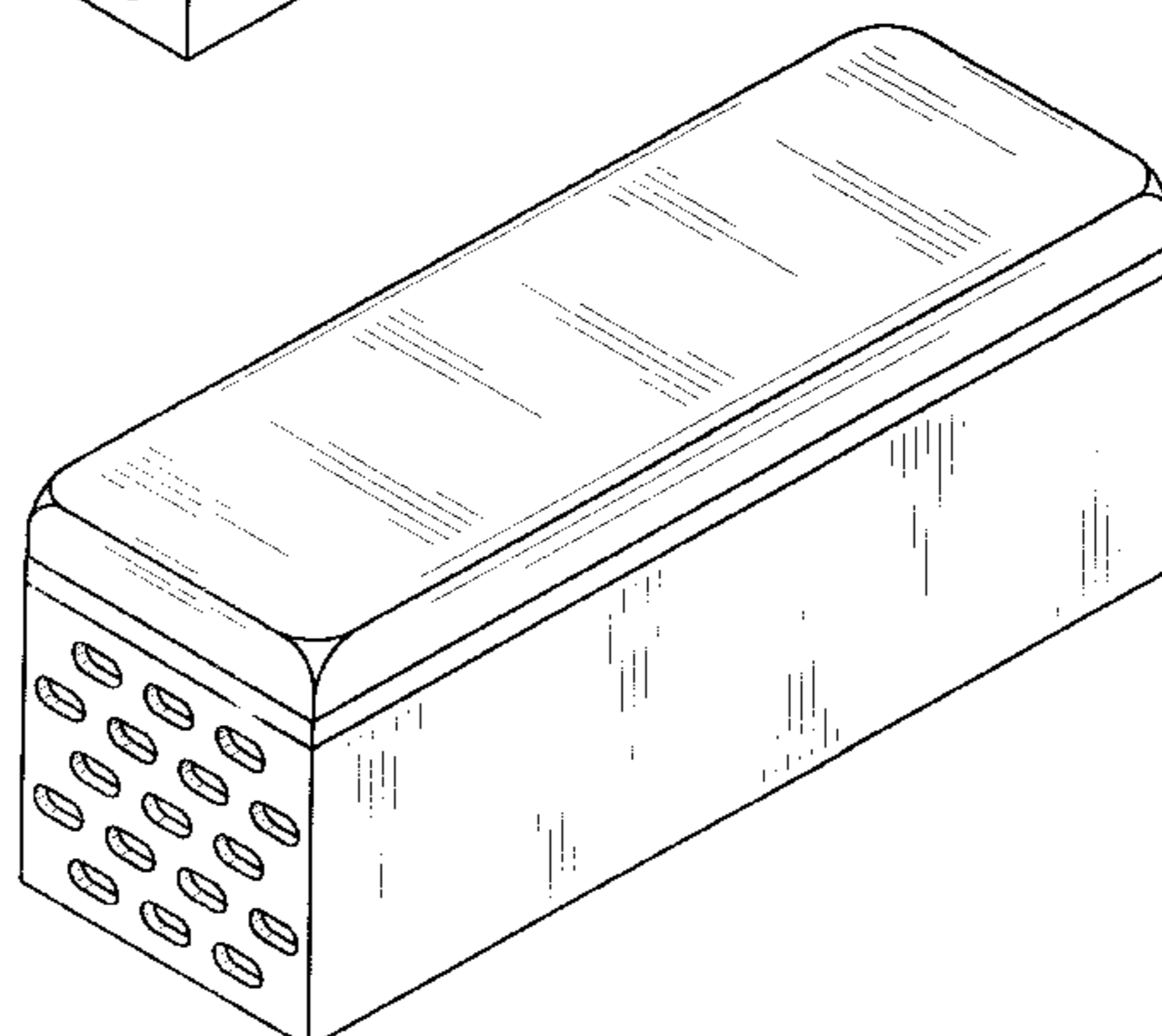
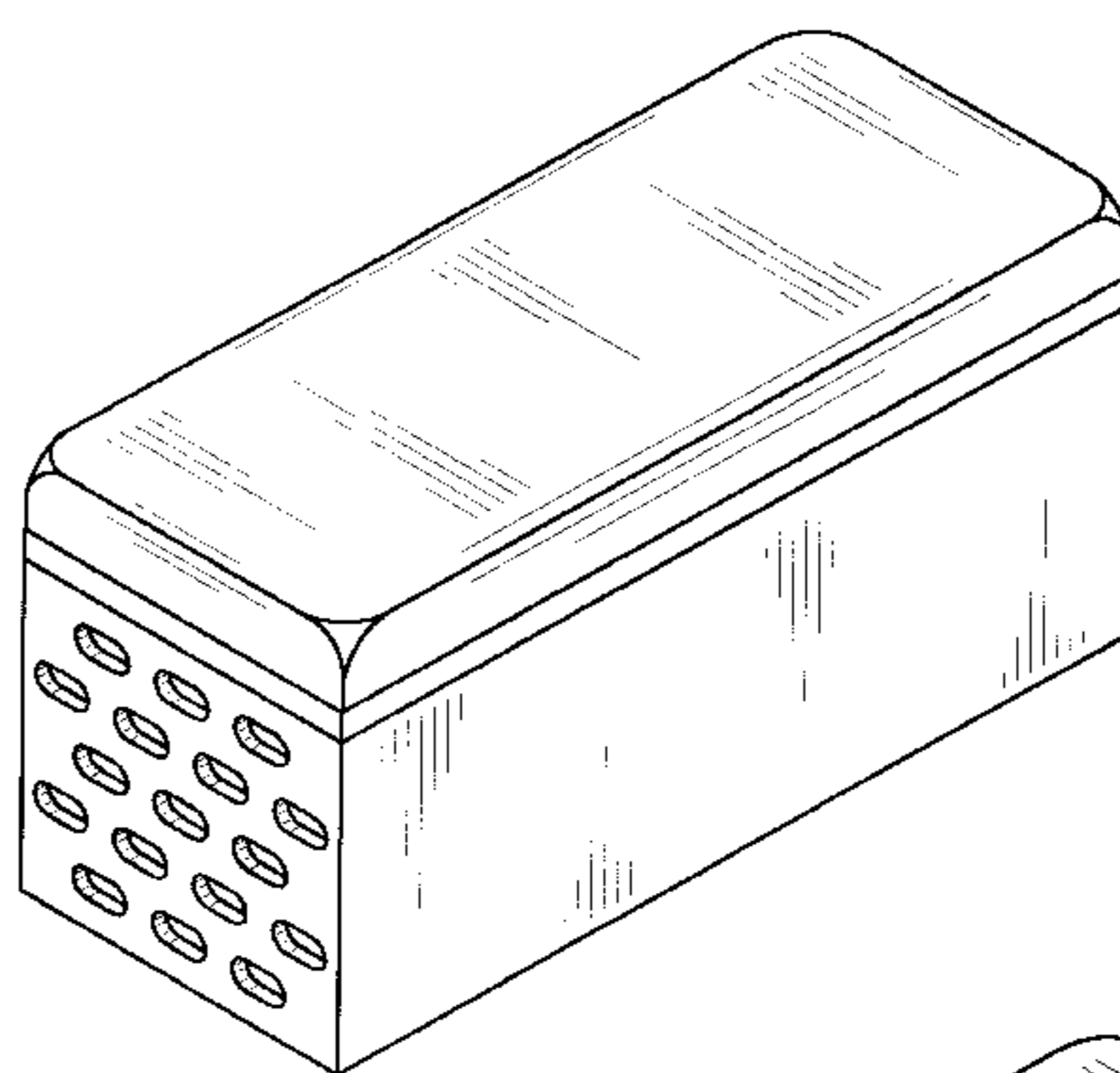
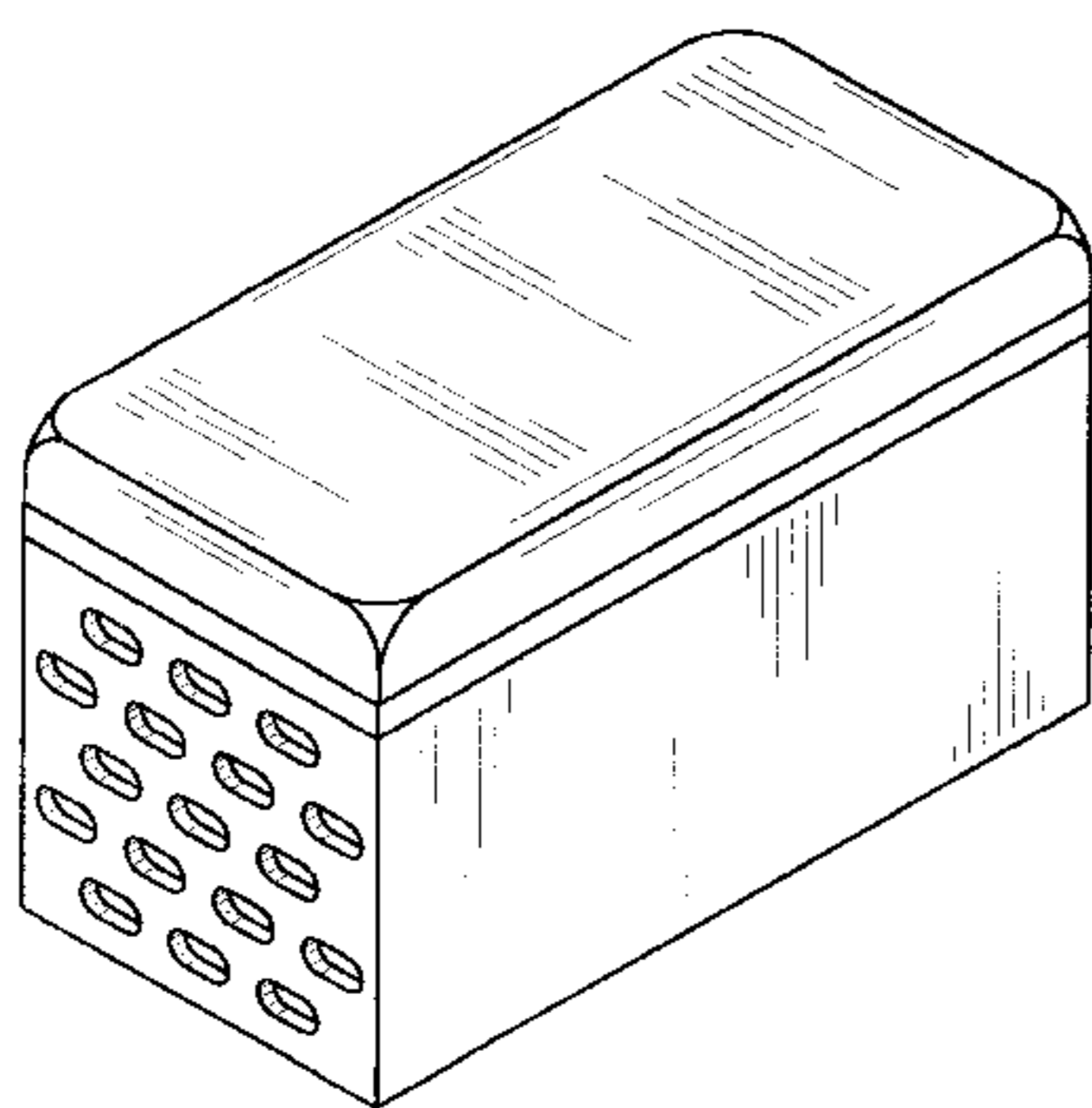
The broken lines in FIG. 6 are for illustrative purposes only and form no part of the claimed design.

(56) **References Cited**

**U.S. PATENT DOCUMENTS**

D59,614 S	*	11/1921	Tockes	.....	D6/440
1,880,325 A	*	10/1932	Loftin	.....	206/278.1
D142,274 S		8/1945	Kohen		
2,725,923 A		12/1955	Bachrach		
D187,086 S	*	1/1960	Aleks	.....	D32/37
3,355,088 A	*	11/1967	Young	.....	220/829 X
D344,823 S	*	3/1994	Wilgus et al.	.....	D32/37
D349,610 S		8/1994	Scott, Jr. et al.		
D398,108 S	*	9/1998	Diaz	.....	D32/37
5,833,336 A		11/1998	Dean		
5,873,643 A		2/1999	Burgess, Jr. et al.		

**1 Claim, 4 Drawing Sheets**



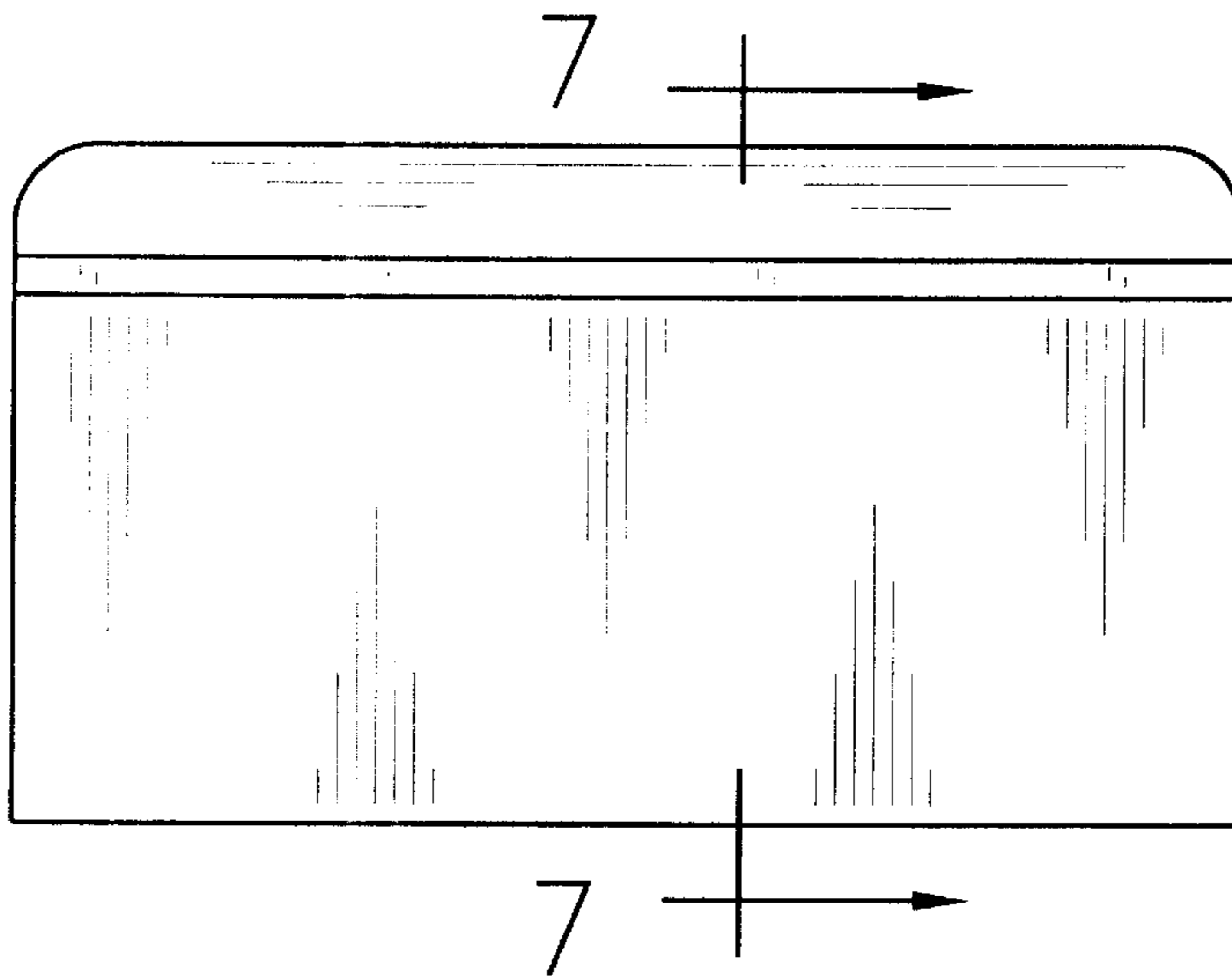


FIG. 1

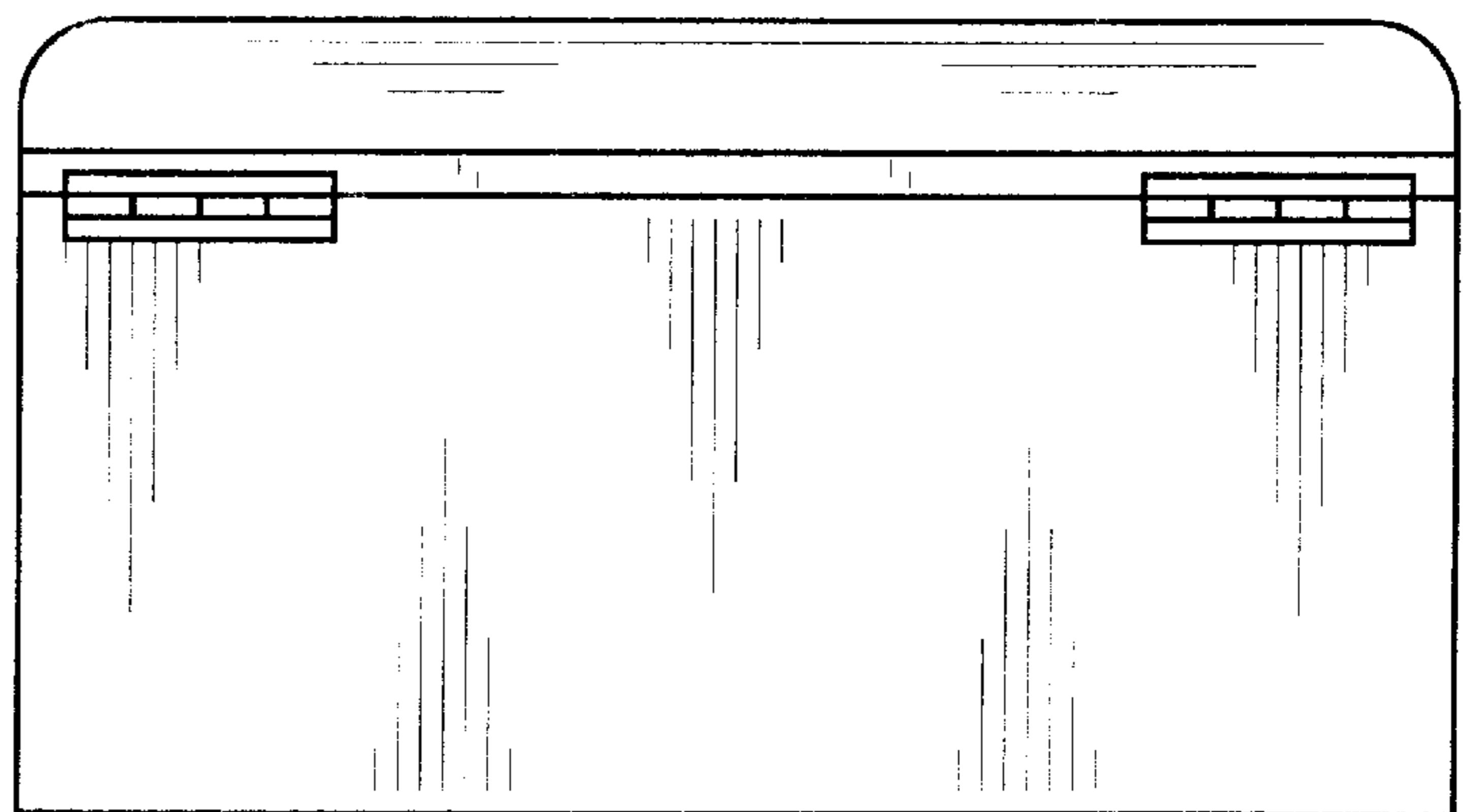


FIG. 2

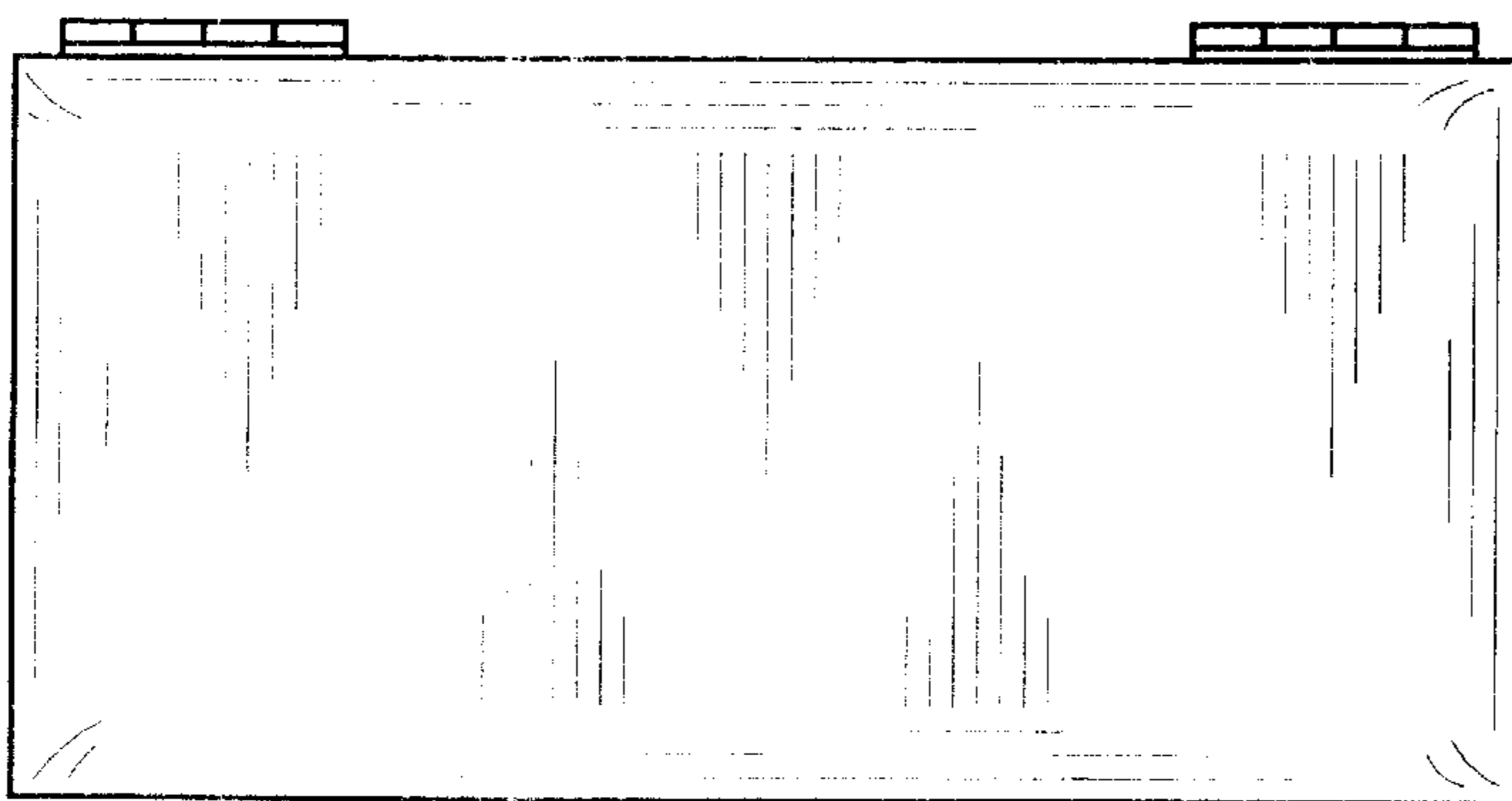


FIG. 4

FIG. 5

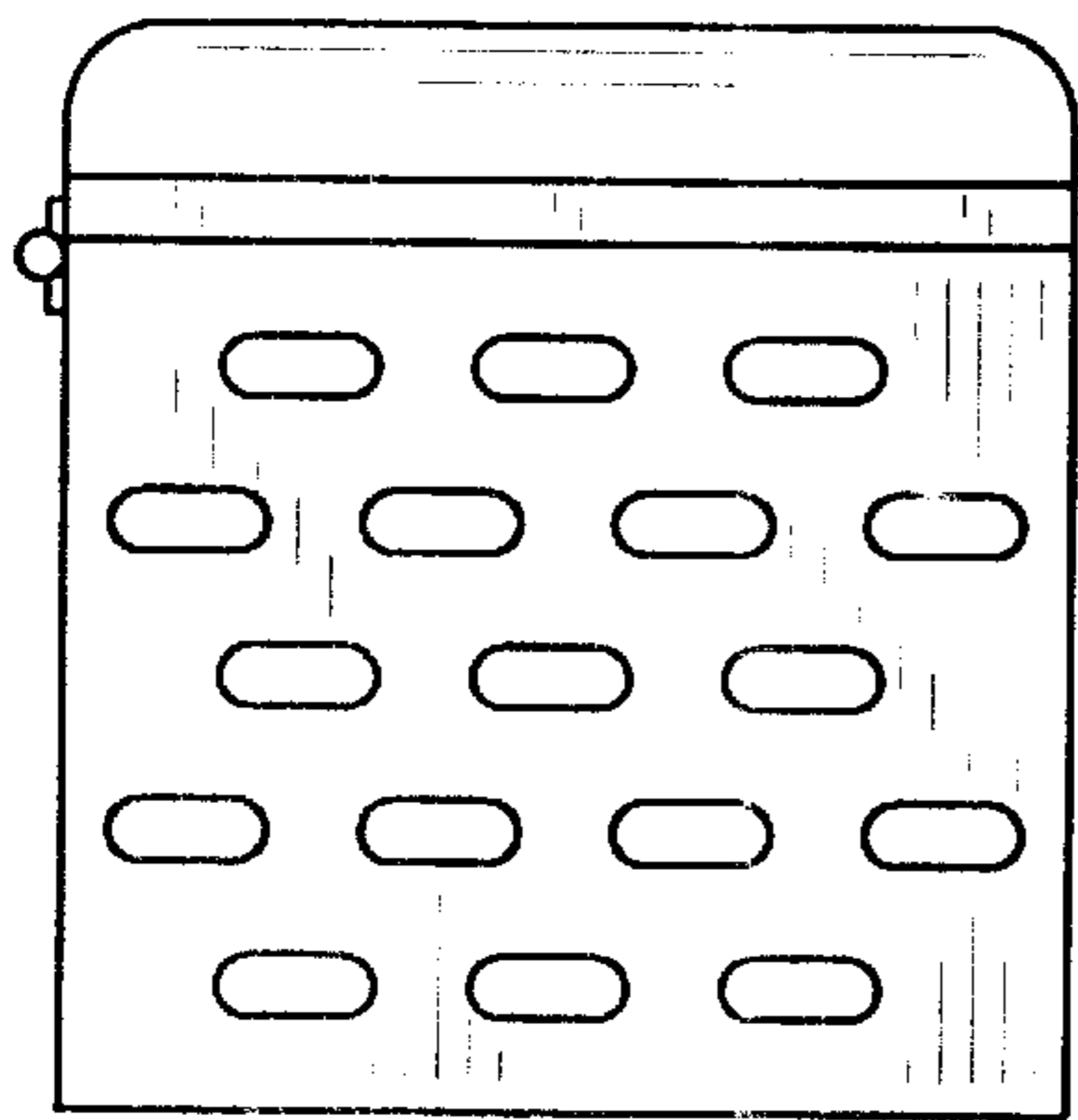
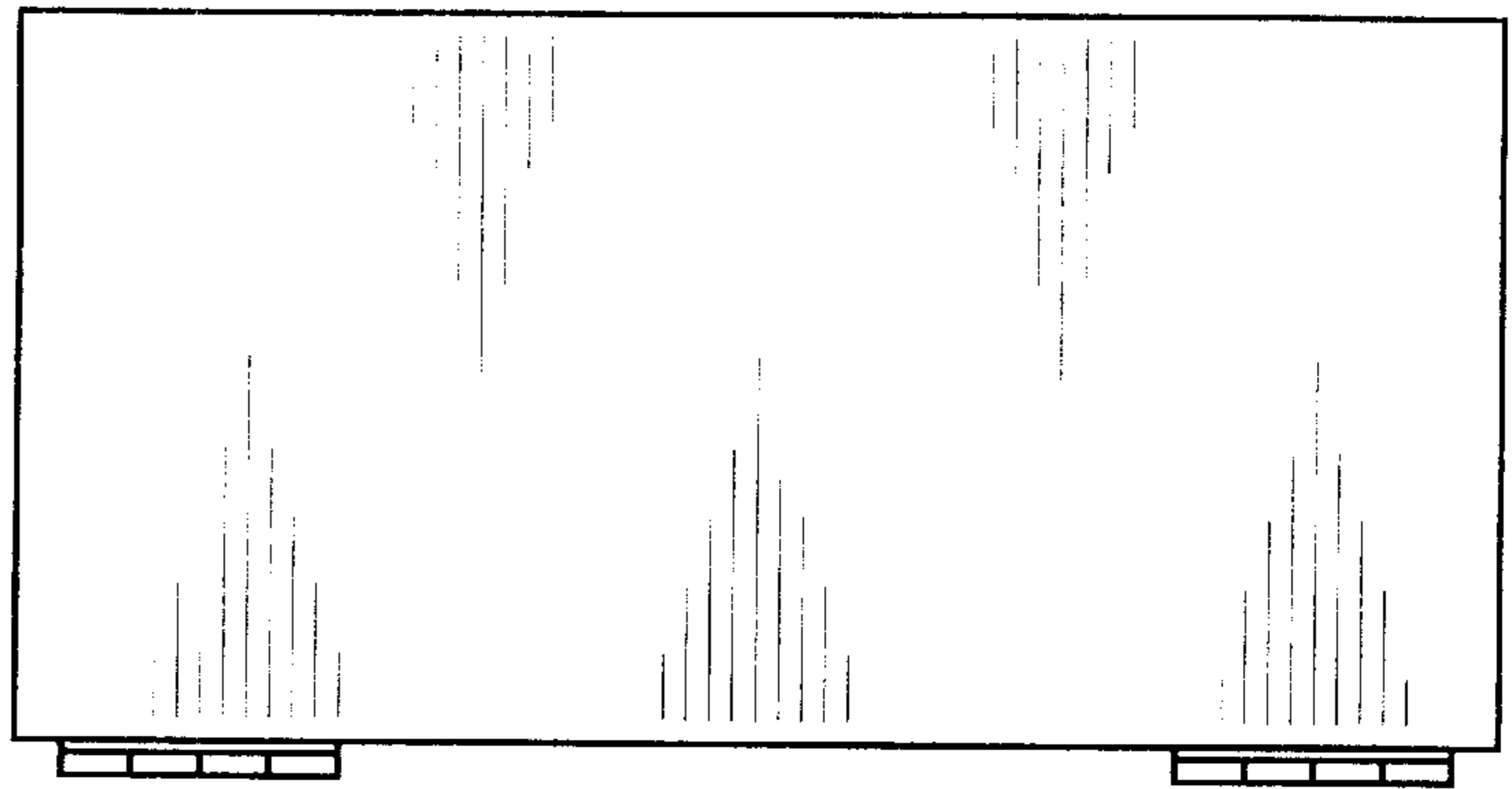


FIG. 3

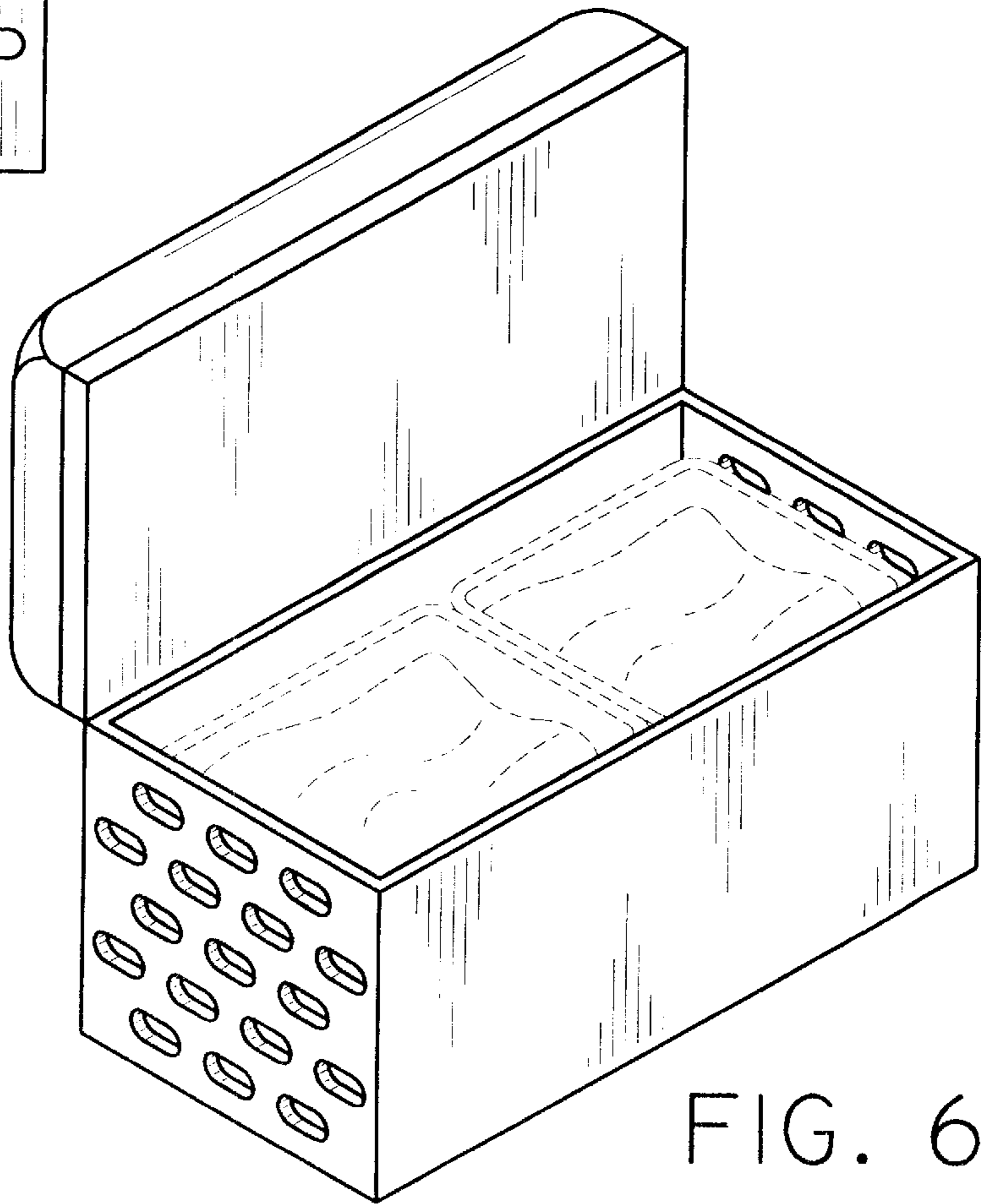


FIG. 6

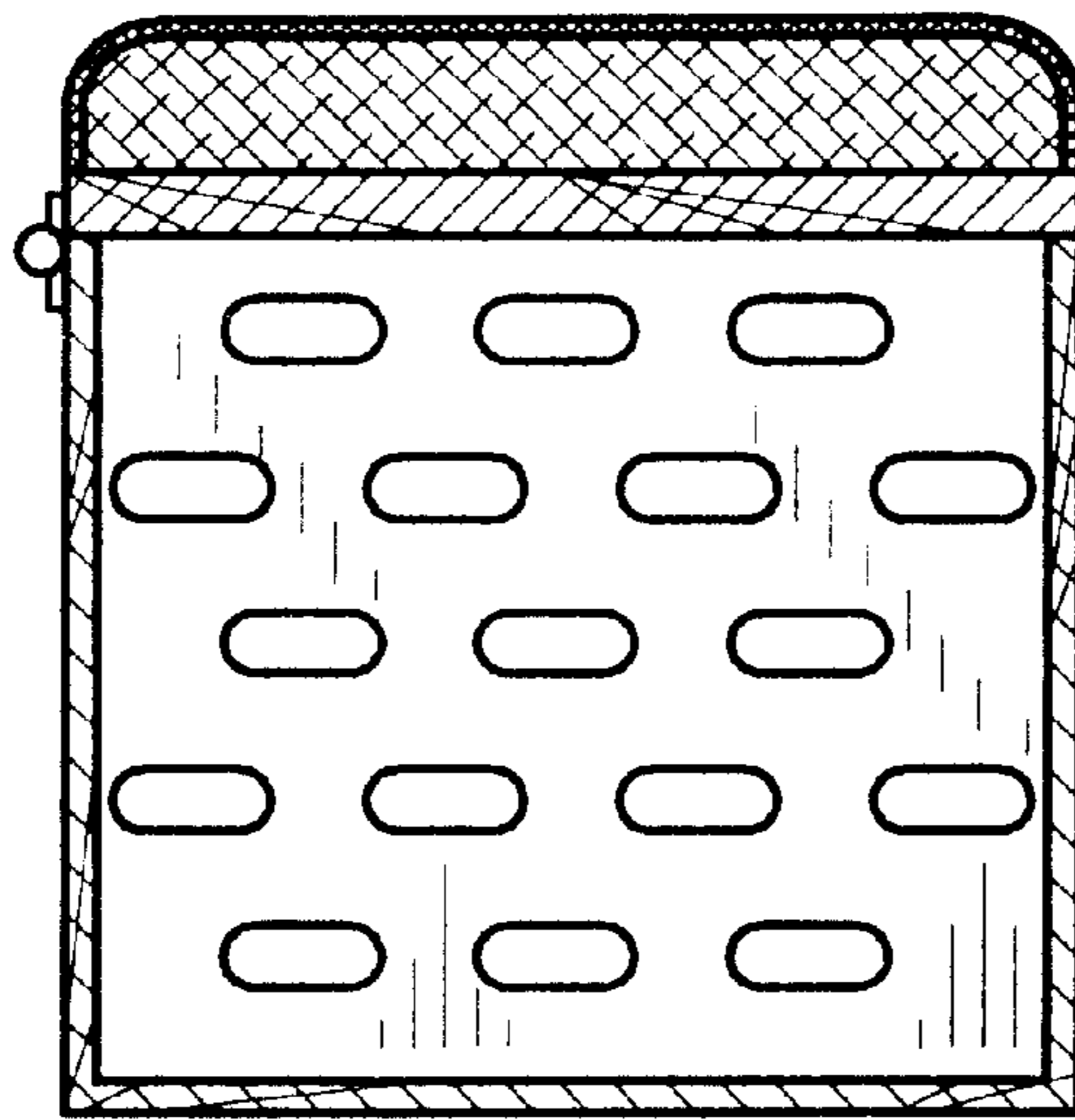


FIG. 7

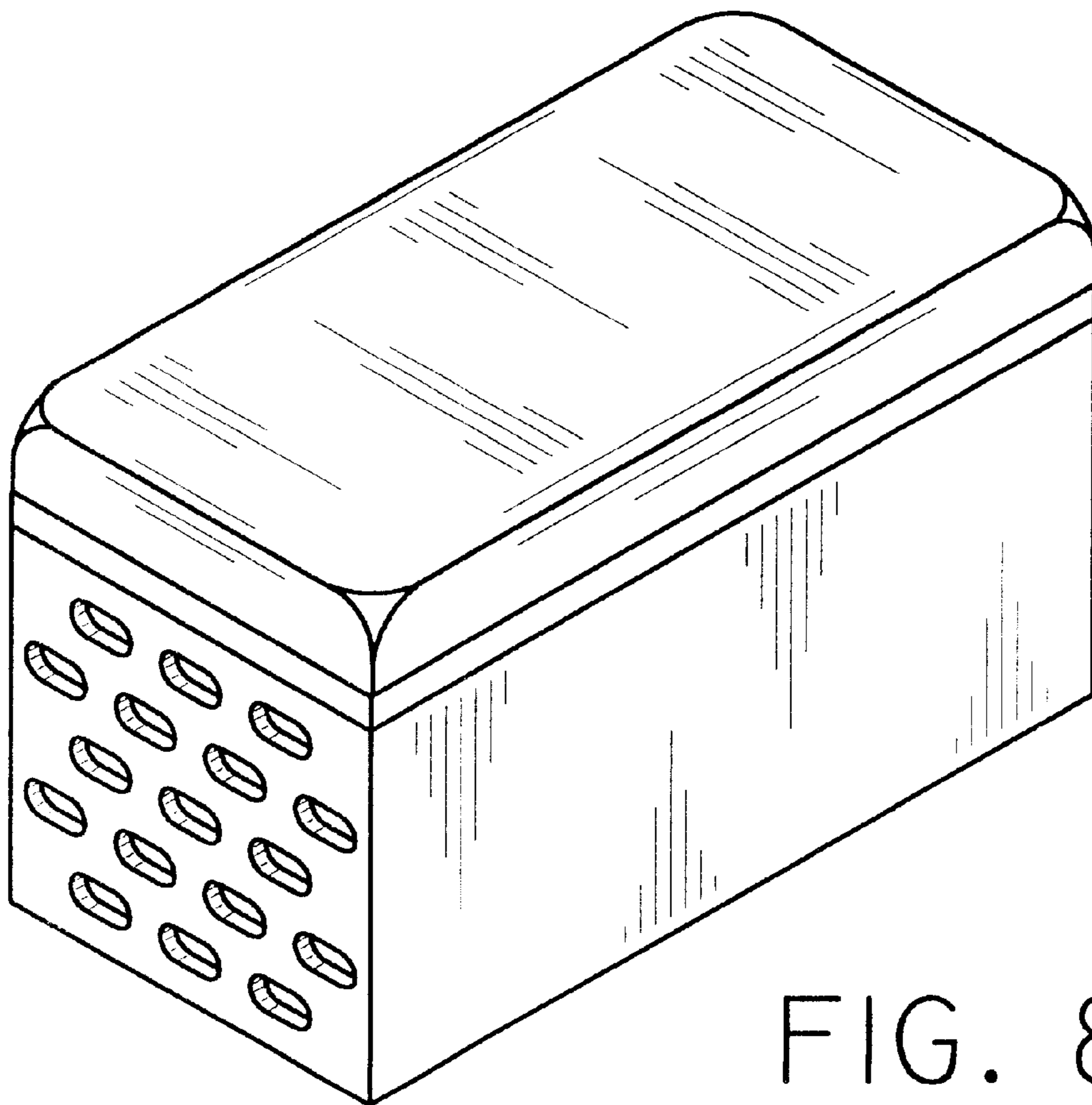


FIG. 8

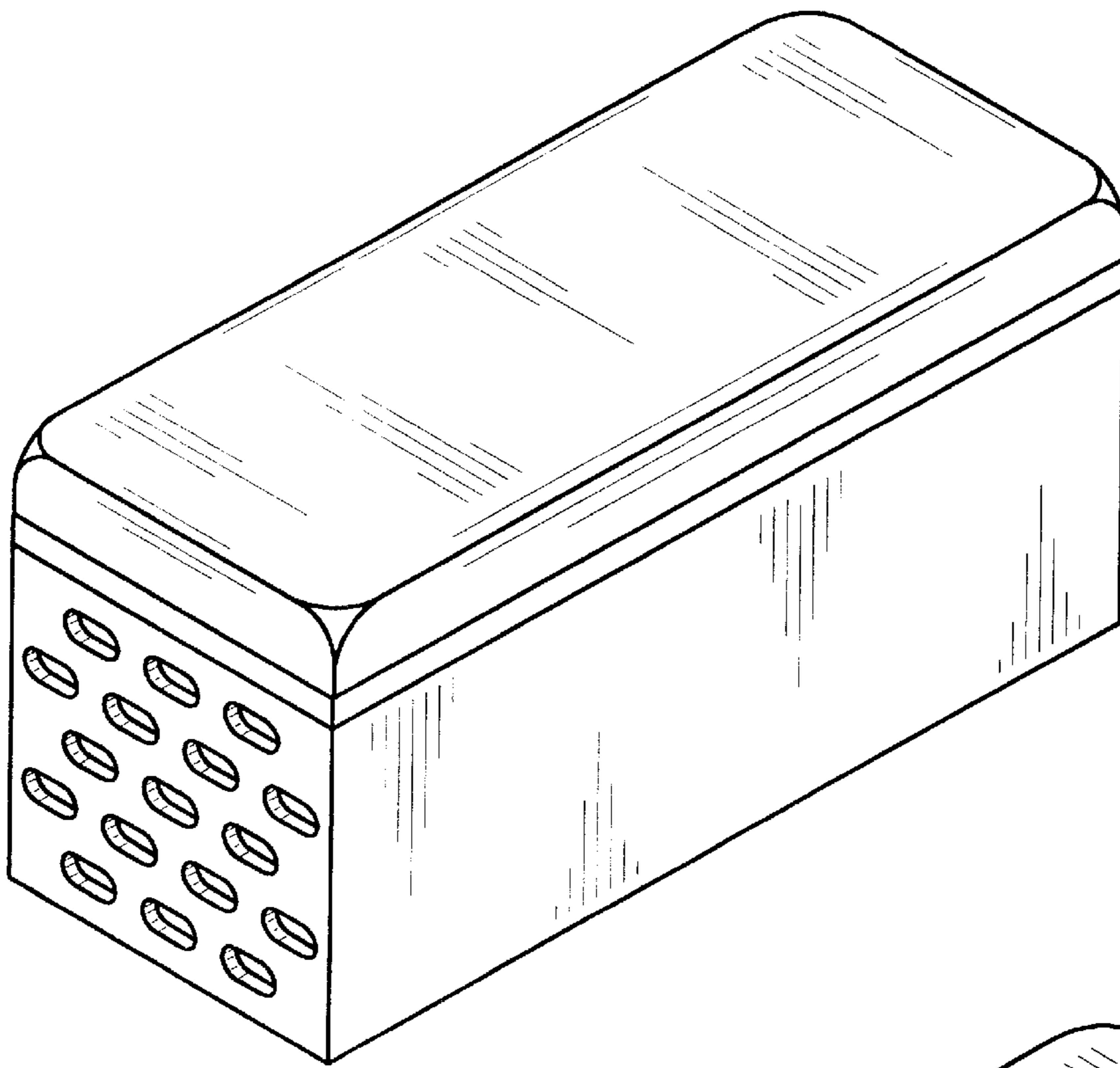


FIG. 9

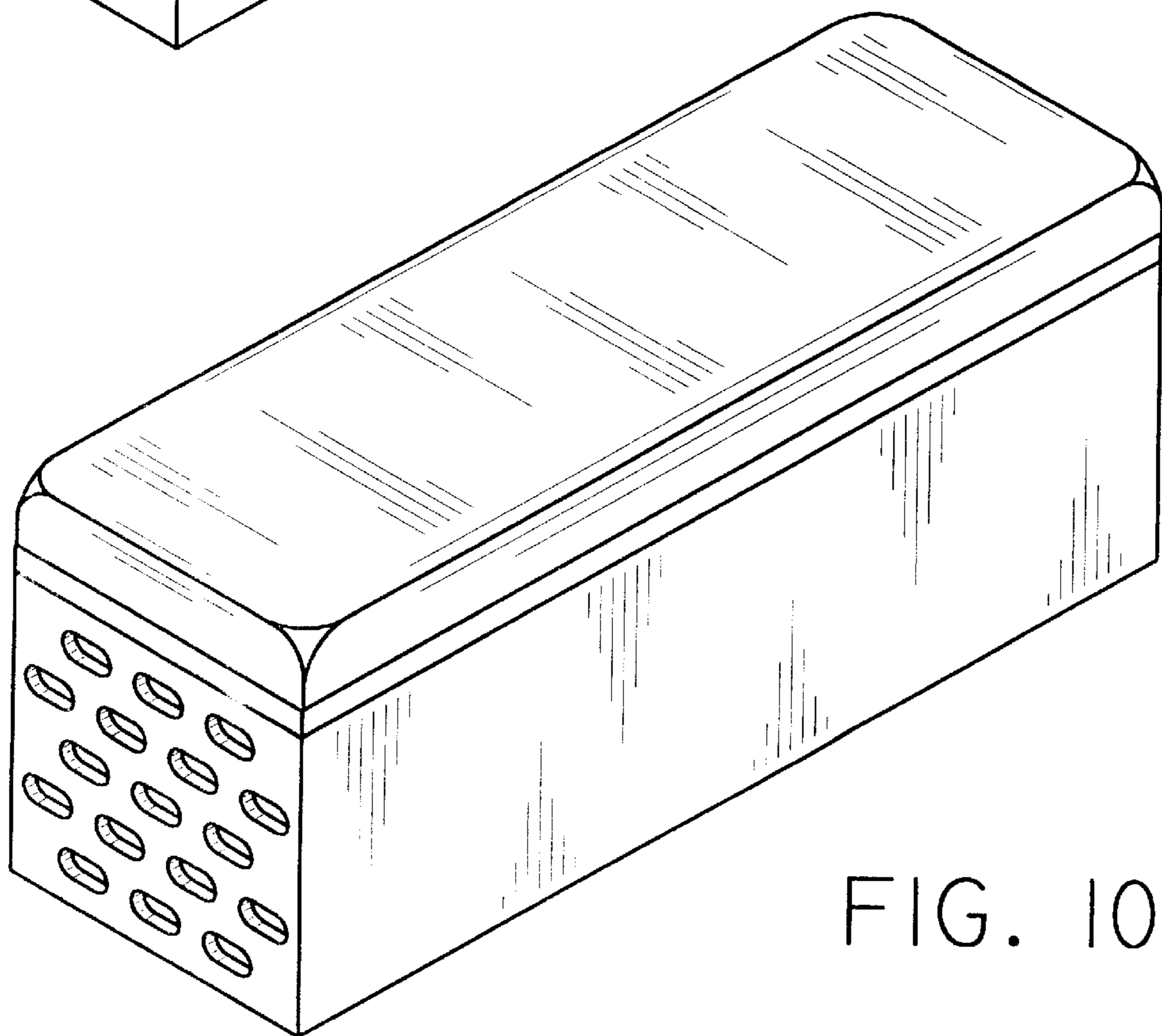


FIG. 10